



US00D594255S

(12) **United States Design Patent**
Iwamuro

(10) **Patent No.:** **US D594,255 S**
(45) **Date of Patent:** **** Jun. 16, 2009**

(54) **FURNITURE WITH TOP BOARD**

(75) Inventor: **Hiromi Iwamuro**, Osaka (JP)

(73) Assignee: **Kokuyo Co., Ltd.**, Osaka (JP)

(**) Term: **14 Years**

(21) Appl. No.: **29/279,934**

(22) Filed: **May 11, 2007**

(30) **Foreign Application Priority Data**

Nov. 12, 2006	(JP)	2006-031011
Nov. 12, 2006	(JP)	2006-031012
Nov. 12, 2006	(JP)	2006-031013
Nov. 12, 2006	(JP)	2006-031014

(51) **LOC (9) Cl.** **06-06**

(52) **U.S. Cl.** **D6/483; D6/482**

(58) **Field of Classification Search** D6/422-426,
D6/511, 480-489, 421; 108/50.01, 50.02;
312/194-196, 239

See application file for complete search history.

(56) **References Cited**

U.S. PATENT DOCUMENTS

D109,317 S *	4/1938	Ericson	D6/427
D134,298 S *	11/1942	Eppenstein	D6/427
D157,381 S *	2/1950	Kramer	D6/425
D178,621 S *	8/1956	Von Koert	D6/480
D282,030 S *	1/1986	Sottsass et al.	D6/422
D289,472 S *	4/1987	Sottsass et al.	D6/397

D330,295 S * 10/1992 Zapf D6/421

* cited by examiner

Primary Examiner—Janice E Seeger

(74) *Attorney, Agent, or Firm*—Darby & Darby P.C.

(57) **CLAIM**

The ornamental design for furniture with top board, as shown and described.

DESCRIPTION

FIG. 1 is a front perspective view of my new design for a furniture with top board;

FIG. 2 is a right side view thereof;

FIG. 3 is a left side view thereof;

FIG. 4 is a top view thereof;

FIG. 5 is a bottom view thereof;

FIG. 6 is a rear view thereof;

FIG. 7 is a front view thereof;

FIG. 8 is a top view thereof where the top board of FIG. 4 is rotated clockwise 90 degrees;

FIG. 9 is a top view thereof where the top board of FIG. 4 is rotated clockwise 90 degrees and moved to the right; and,

FIG. 10 is a top view thereof where the top board of FIG. 9 is rotated clockwise 90 degrees.

The broken lines are for environmental purposes only and form no part of the claimed design.

1 Claim, 7 Drawing Sheets

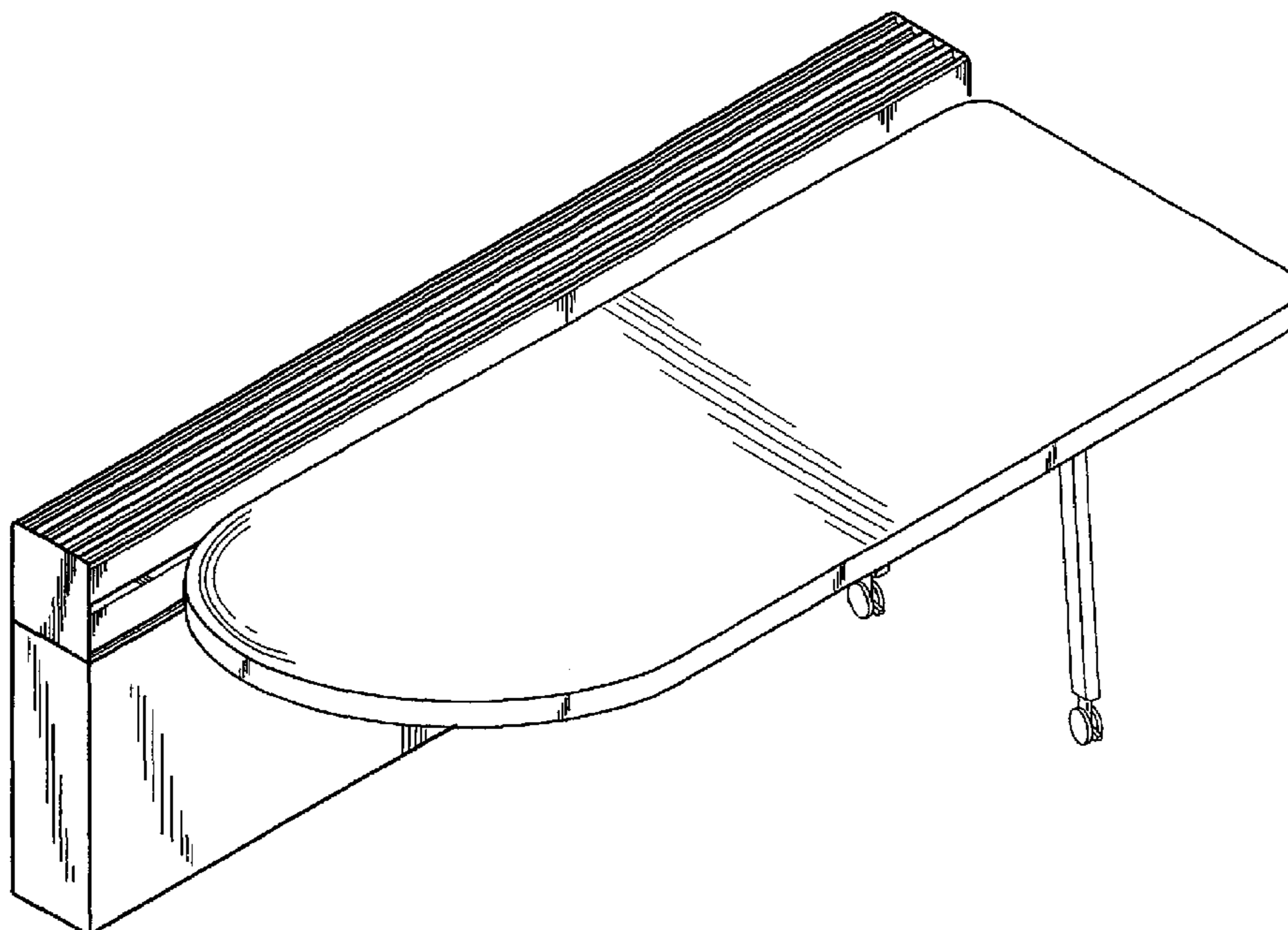


FIG. 1

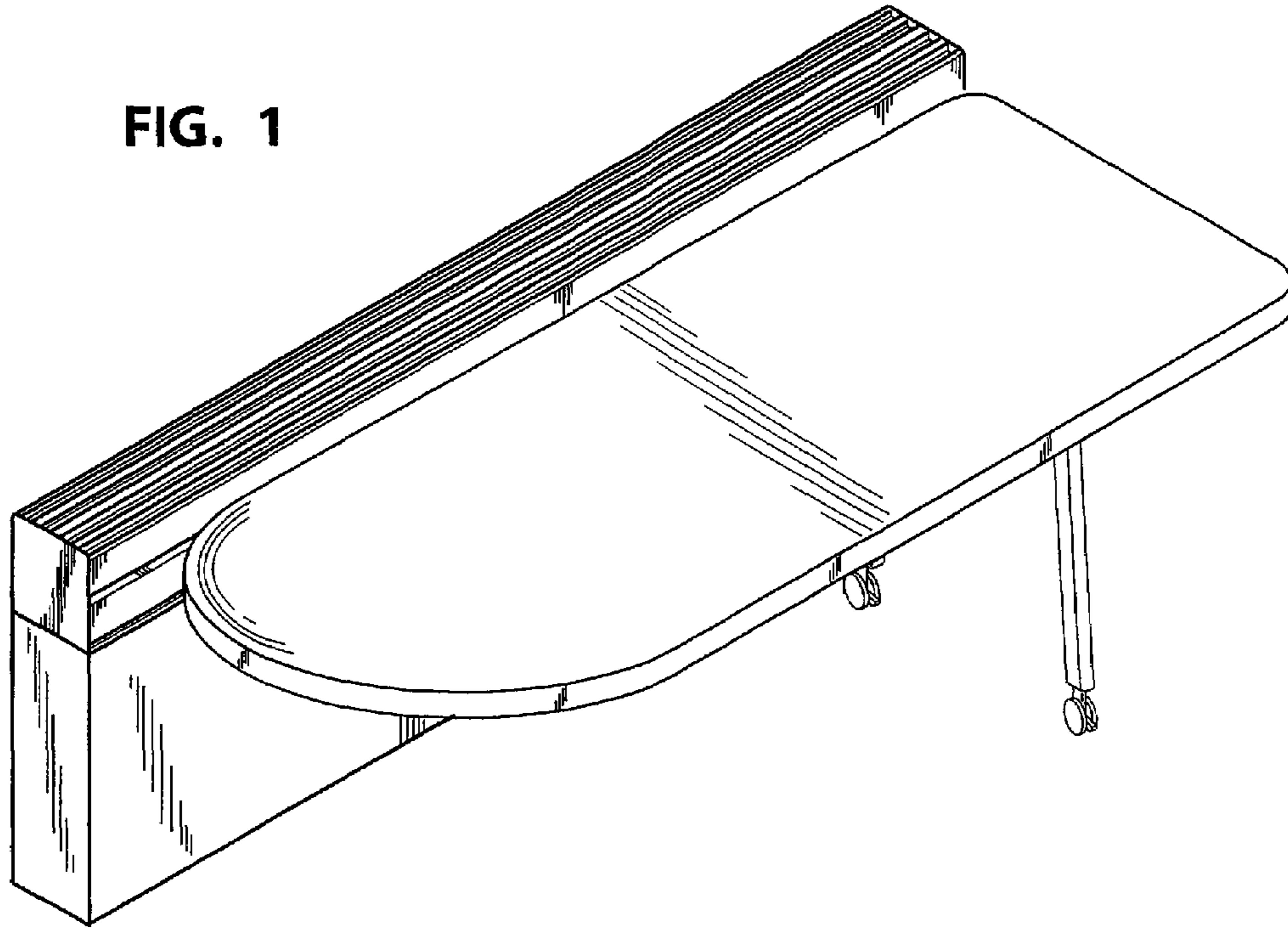


FIG. 2

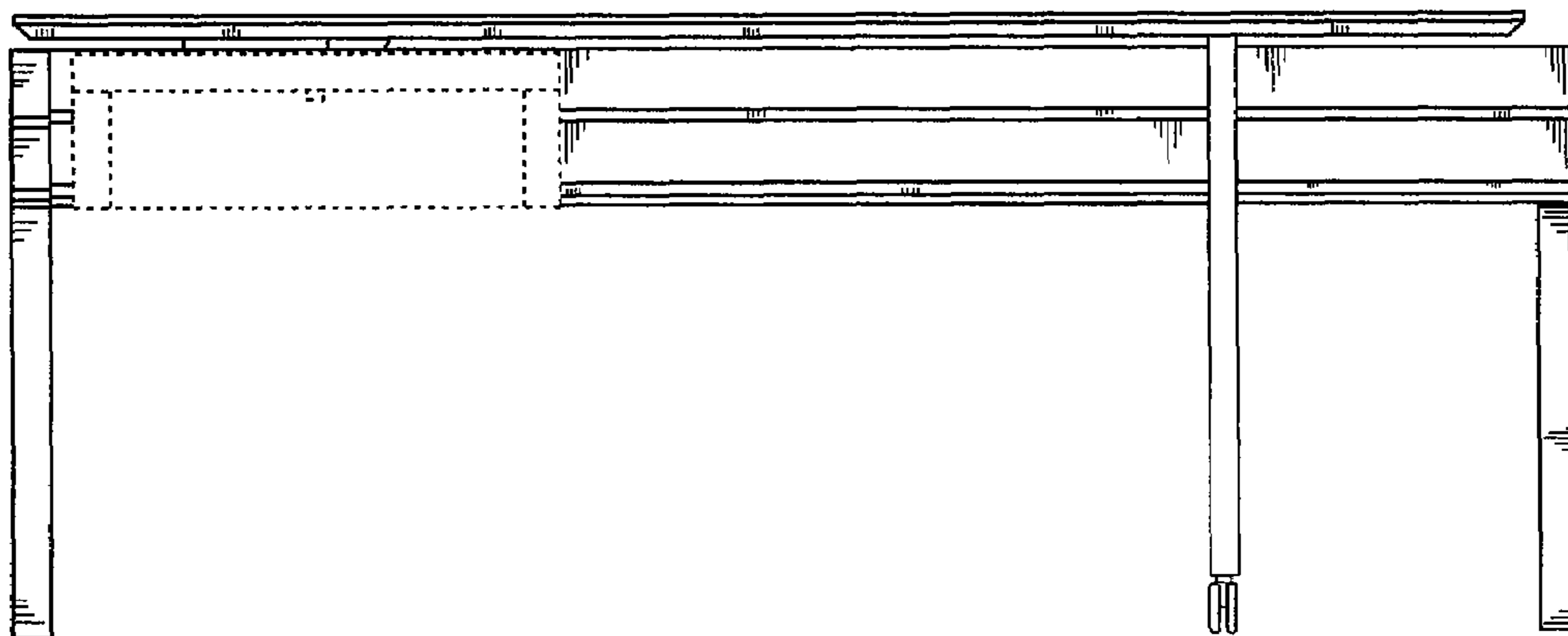


FIG. 3

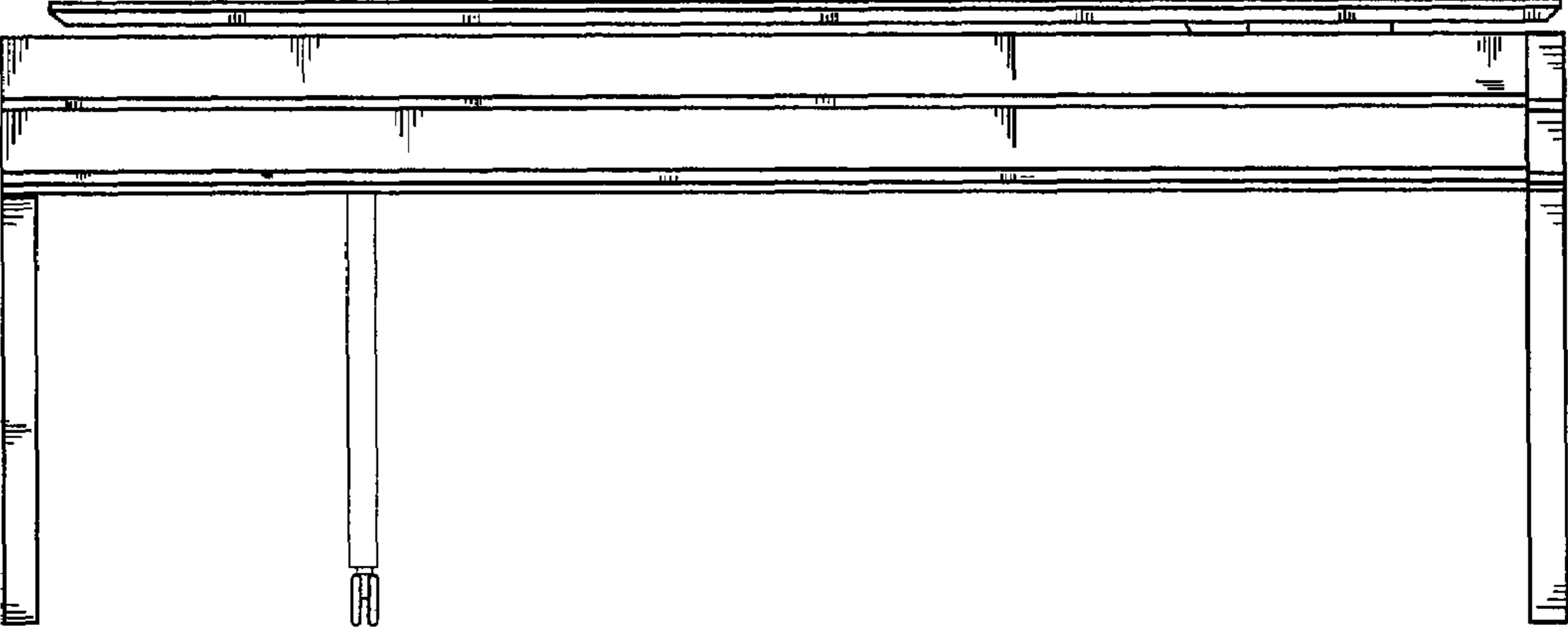


FIG. 4

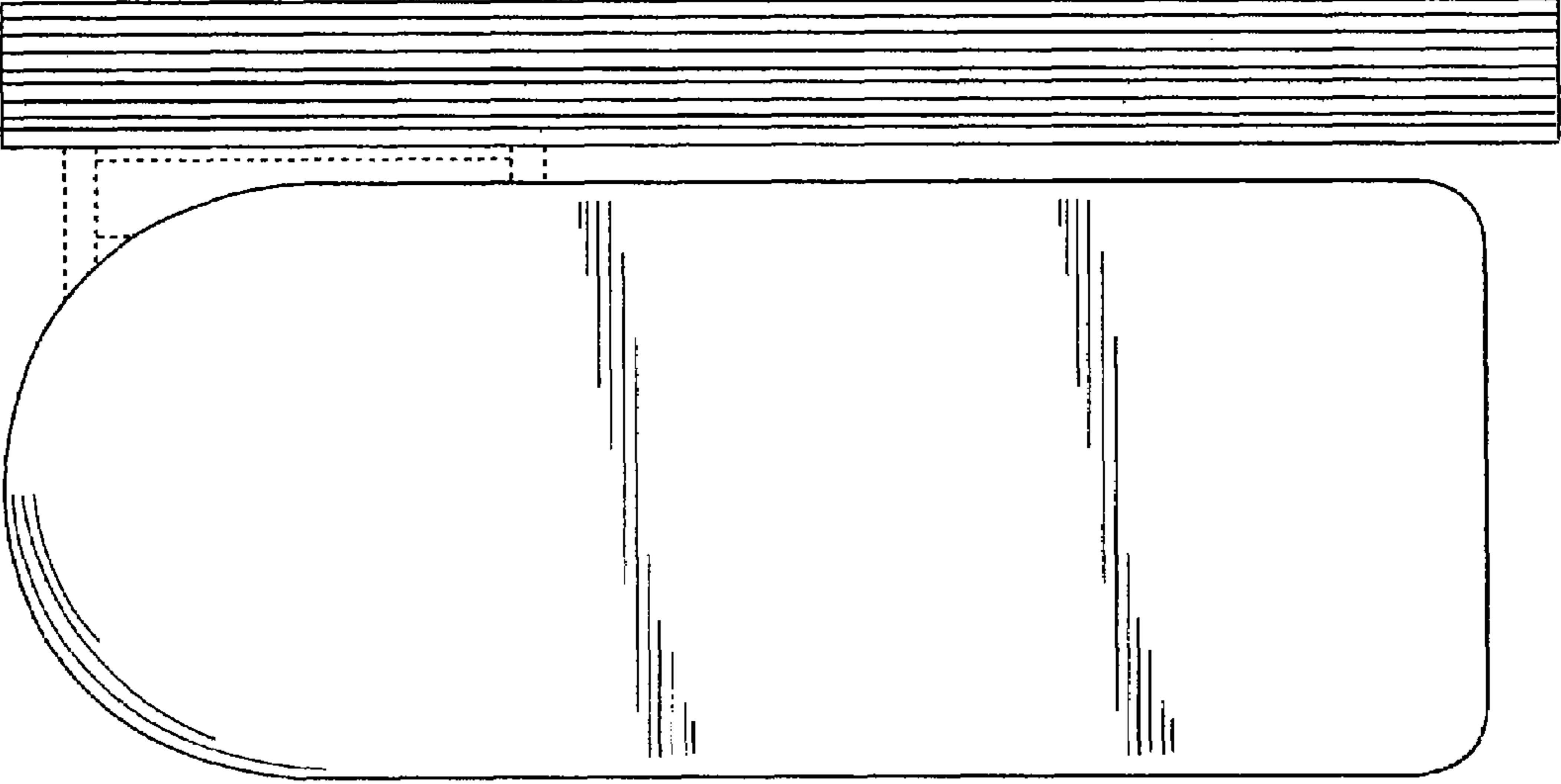


FIG. 5

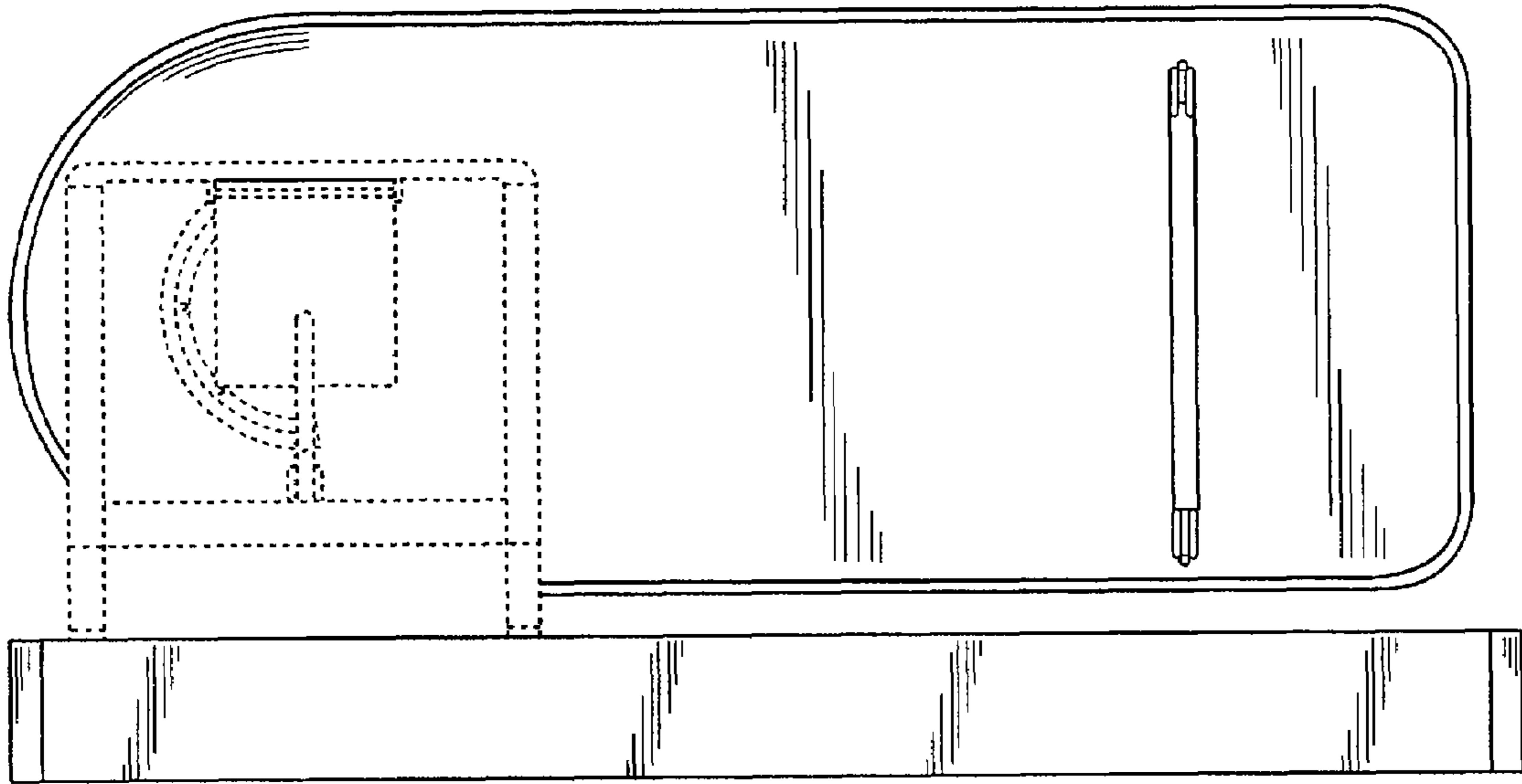


FIG. 6

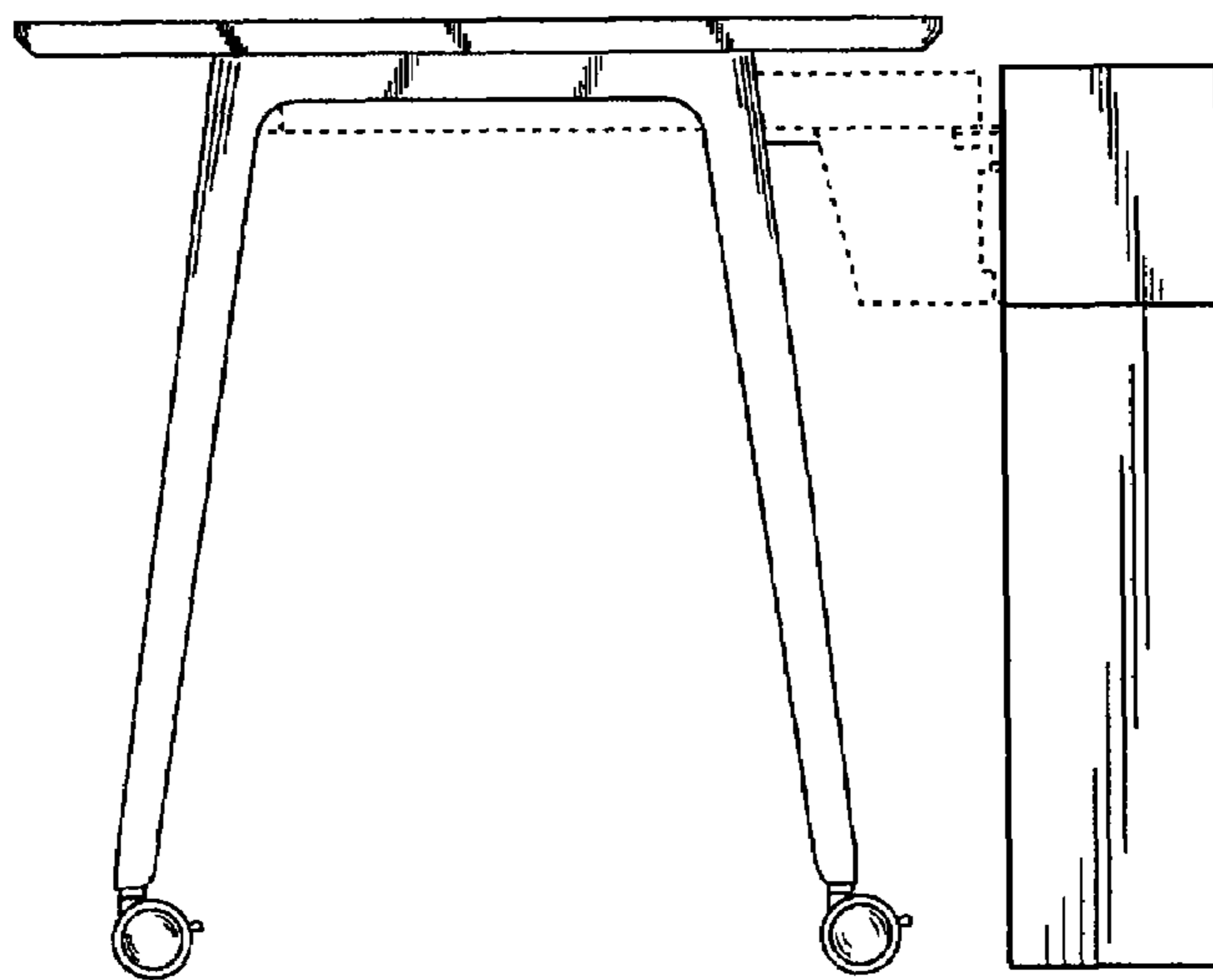


FIG. 7

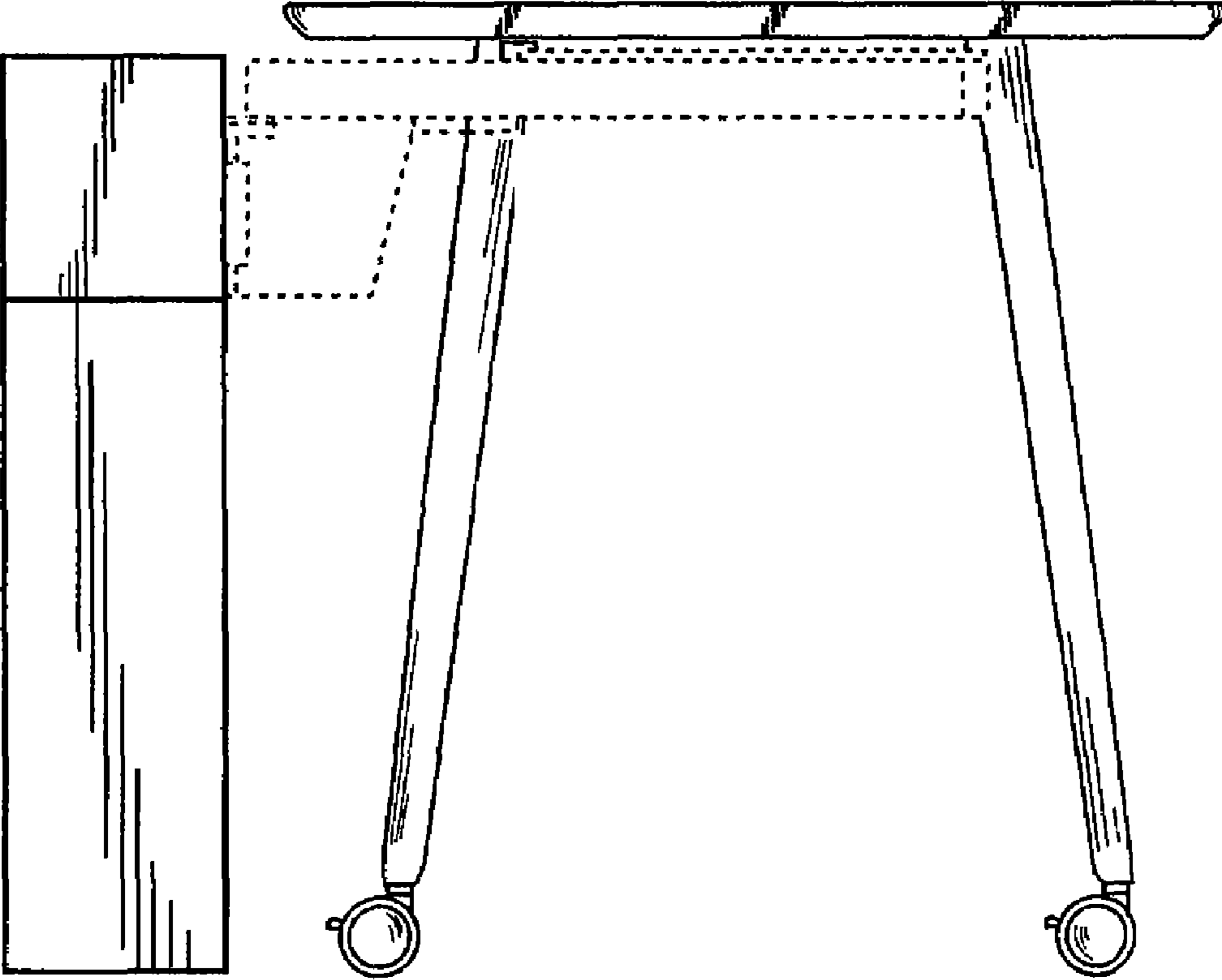


FIG. 8

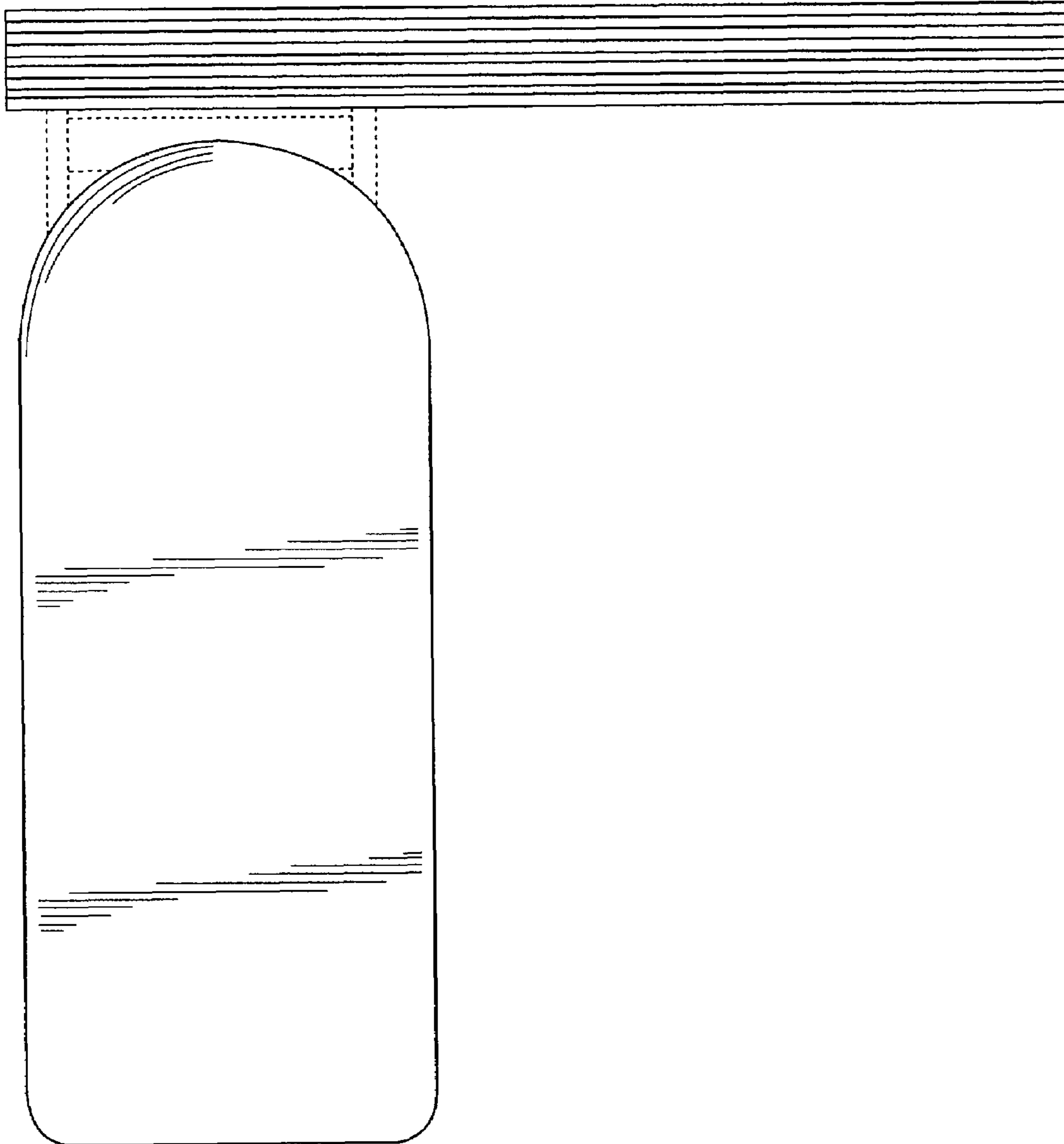


FIG. 9

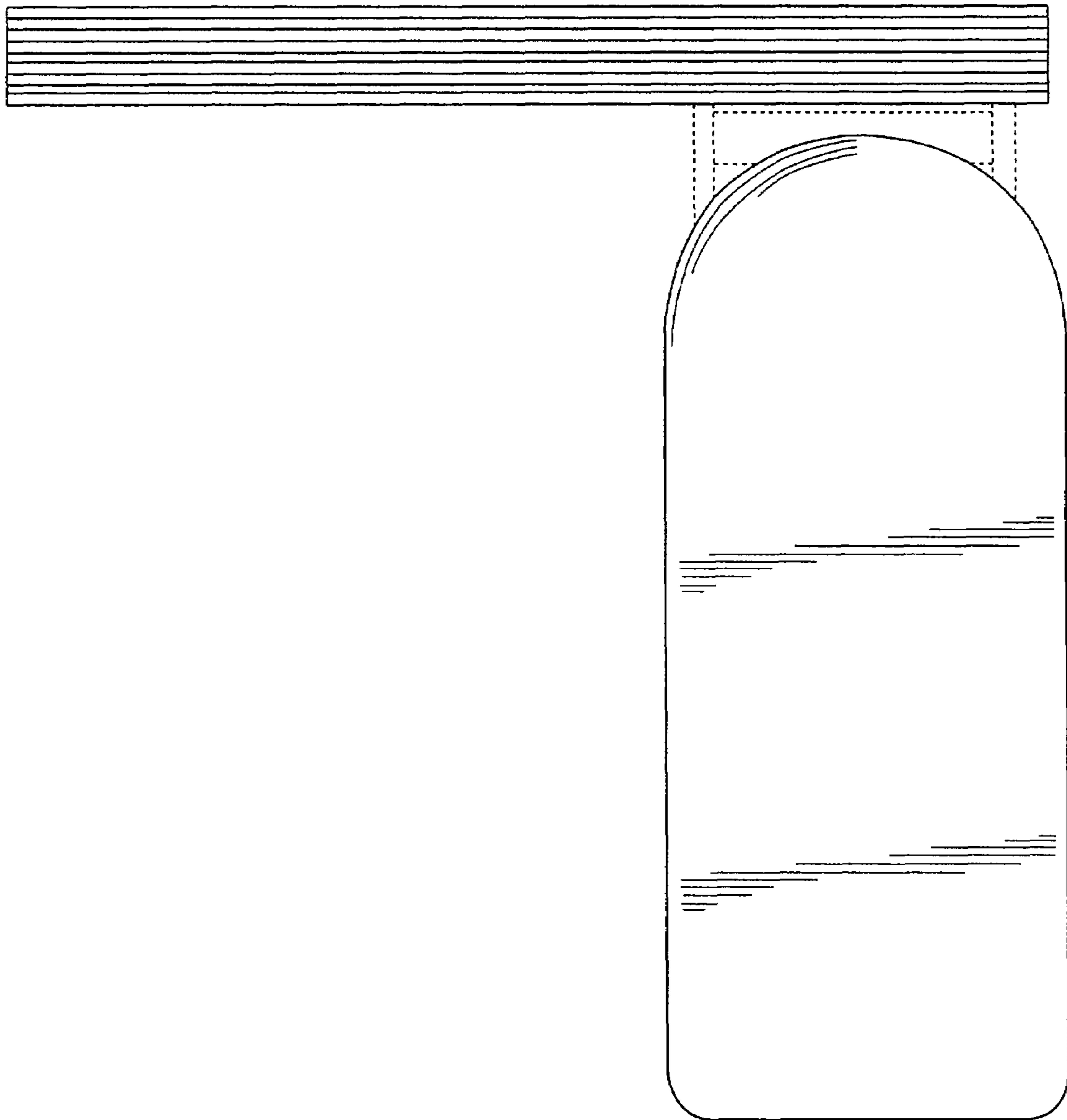


FIG. 10

