



US00D594254S

(12) **United States Design Patent**
Mori

(10) **Patent No.:** **US D594,254 S**
(45) **Date of Patent:** **** Jun. 16, 2009**

(54) **WARMING SHOWCASE**

(75) Inventor: **Kanta Mori**, Isesaki (JP)

(73) Assignee: **Sanden Corporation**, Isesaki-shi,
Gunma (JP)

(**) Term: **14 Years**

(21) Appl. No.: **29/298,087**

(22) Filed: **Nov. 28, 2007**

(30) **Foreign Application Priority Data**

May 28, 2007 (JP) D2007-014019

(51) **LOC (9) Cl.** **06-04**

(52) **U.S. Cl.** **D6/470**

(58) **Field of Classification Search** D6/470-472,
D6/432, 436, 172-175; 206/216, 103, 477,
206/486; 312/114-115, 118; 362/125, 127,
362/133; D15/79; 211/103

See application file for complete search history.

(56) **References Cited**

U.S. PATENT DOCUMENTS

D156,416 S * 12/1949 Greiling D6/470
D280,477 S * 9/1985 Petrick, V D6/472
5,860,289 A * 1/1999 Wetzel 62/255
D438,404 S * 3/2001 Topper et al. D6/470

D496,053 S * 9/2004 Wetzel D15/79
D498,616 S * 11/2004 Hohler et al. D6/472
D543,561 S * 5/2007 Fogarty et al. D15/89
D560,397 S * 1/2008 Arrosagaray D6/472

FOREIGN PATENT DOCUMENTS

JP D1083530 S 8/2000
JP D1227322 S 1/2005
JP D1245879 S 7/2005

* cited by examiner

Primary Examiner—Elizabeth A Albert

Assistant Examiner—Kelley A Donnelly

(74) *Attorney, Agent, or Firm*—Baker Botts L.L.P.

(57) **CLAIM**

The ornamental design for a warming showcase, as shown and described.

DESCRIPTION

FIG. 1 is a right side perspective view of a warming showcase according to the design;

FIG. 2 is a front view of the warming showcase of FIG. 1.

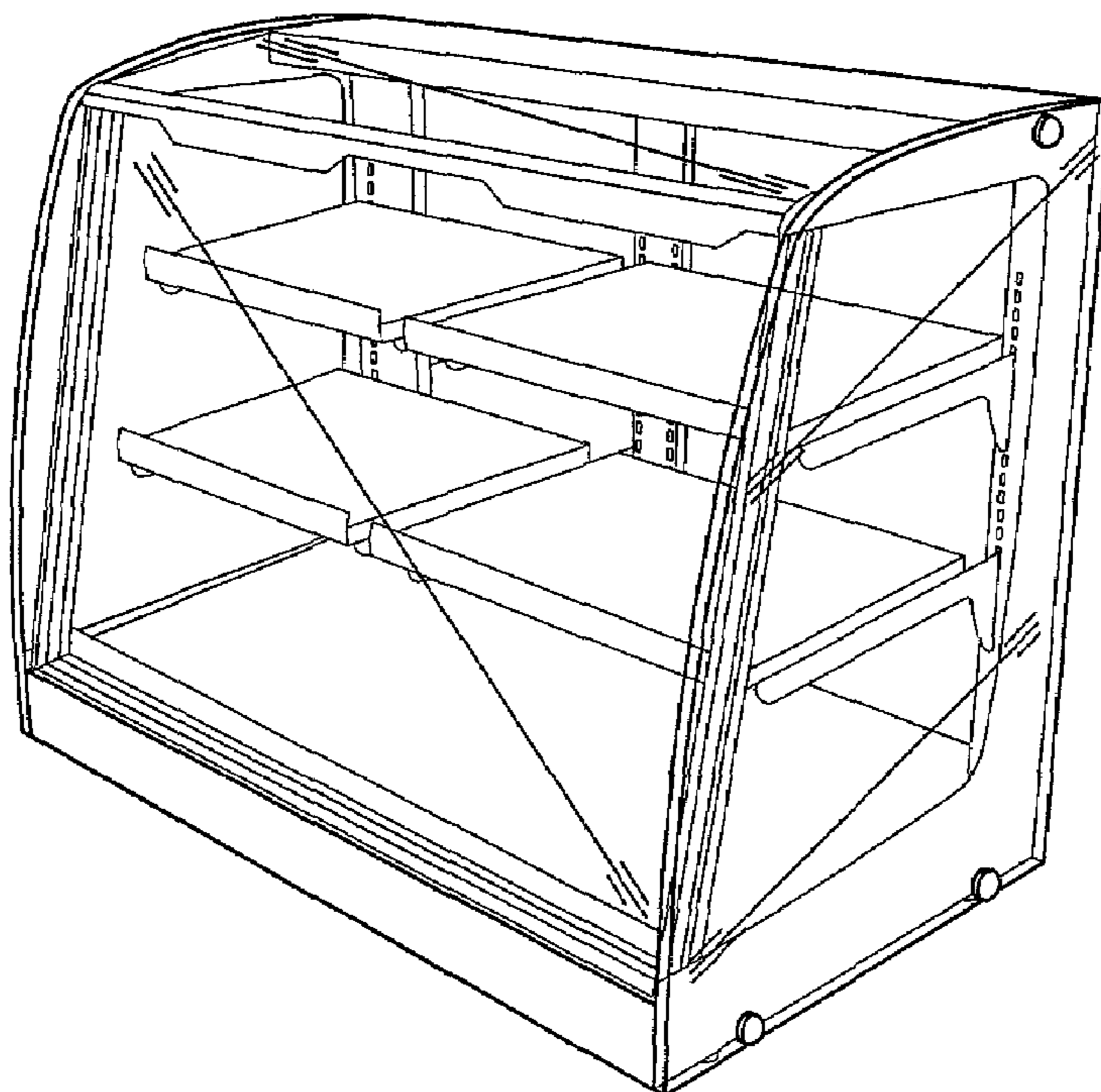
FIG. 3 is a right side view of the warming showcase of FIG. 1.

FIG. 4 is a top view of the warming showcase of FIG. 1.

FIG. 5 is a rear view of the warming showcase of FIG. 1; and,

FIG. 6 is a bottom view of the warming showcase of FIG. 1.

1 Claim, 3 Drawing Sheets



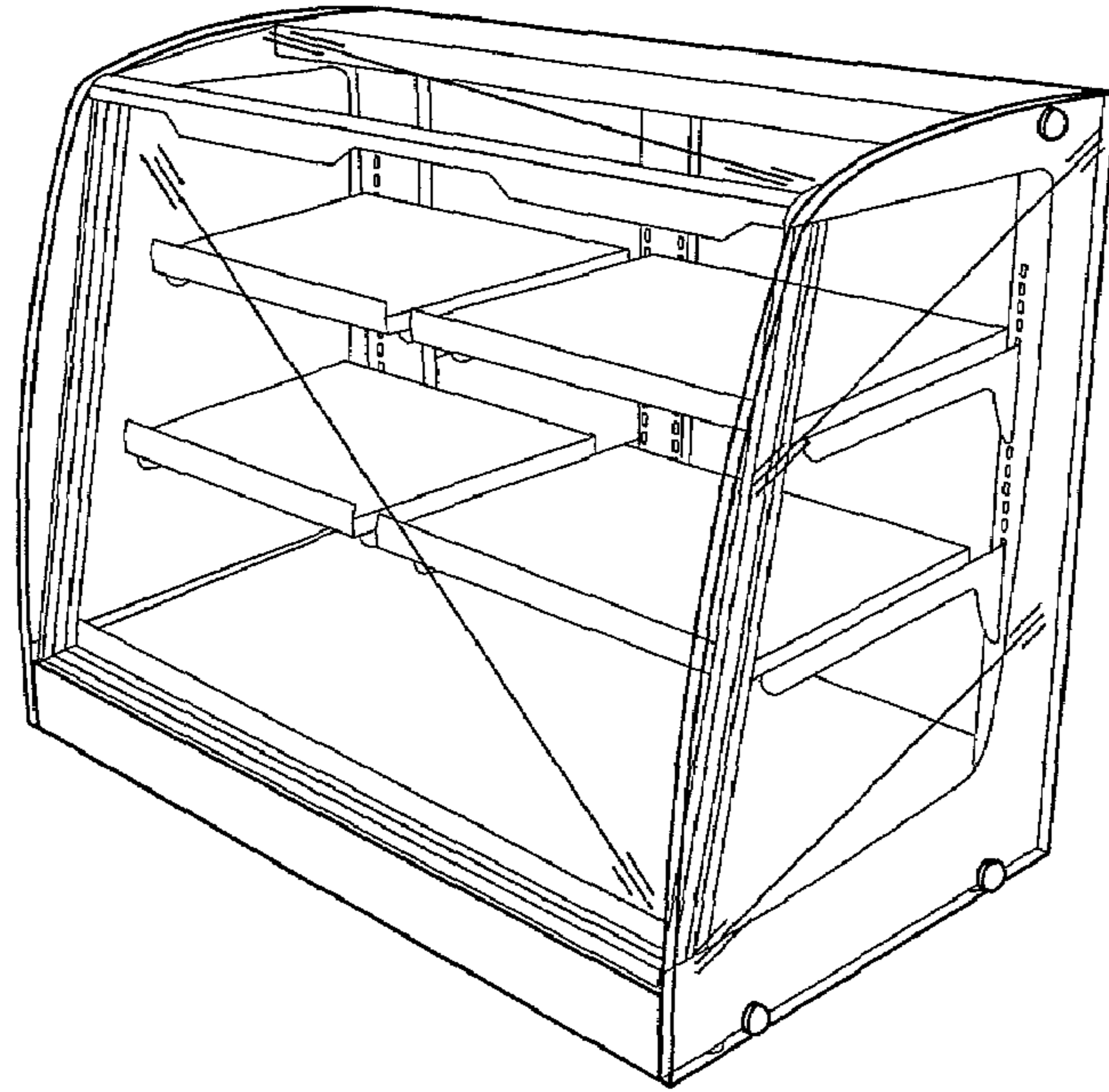


FIG. 1

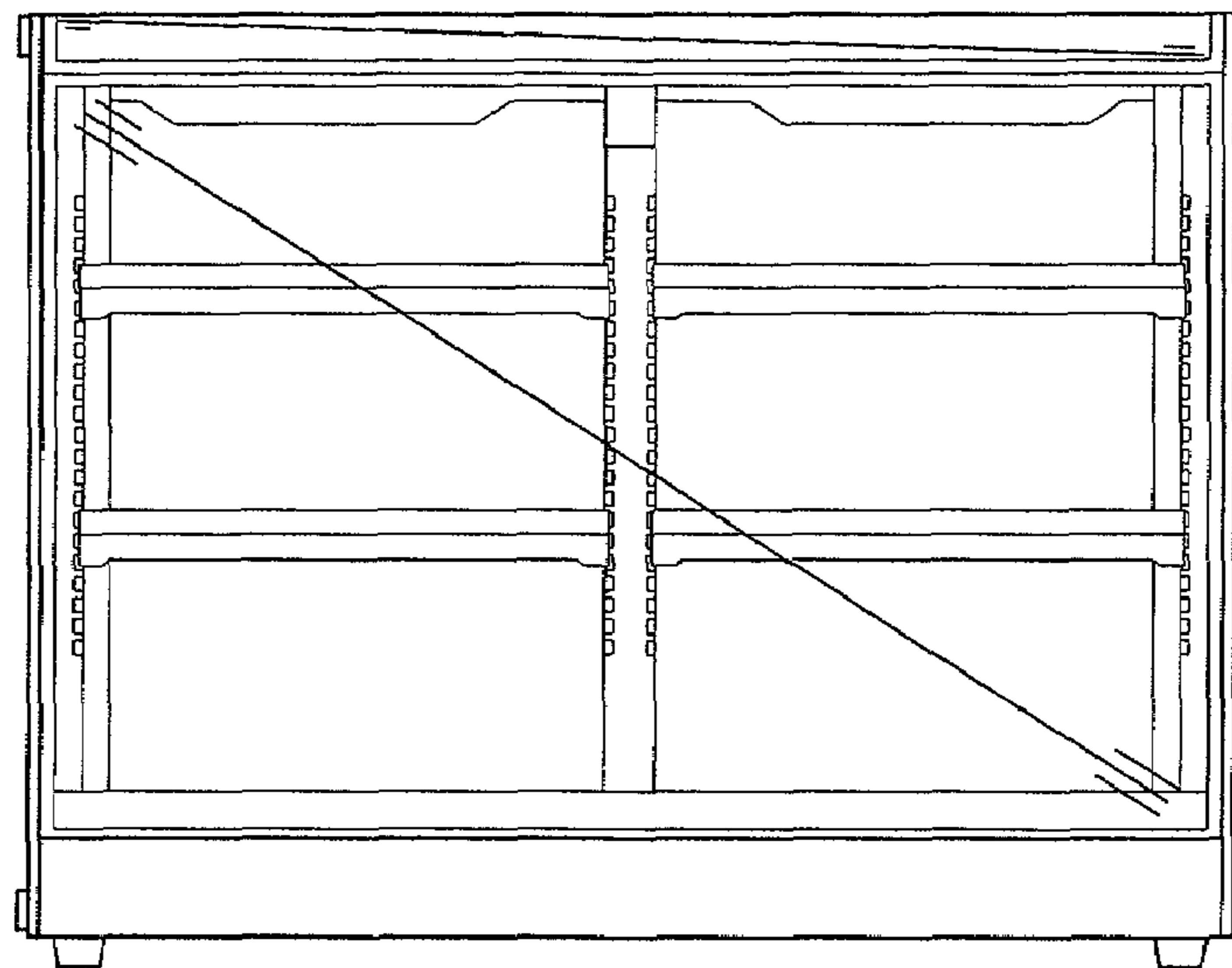


FIG. 2

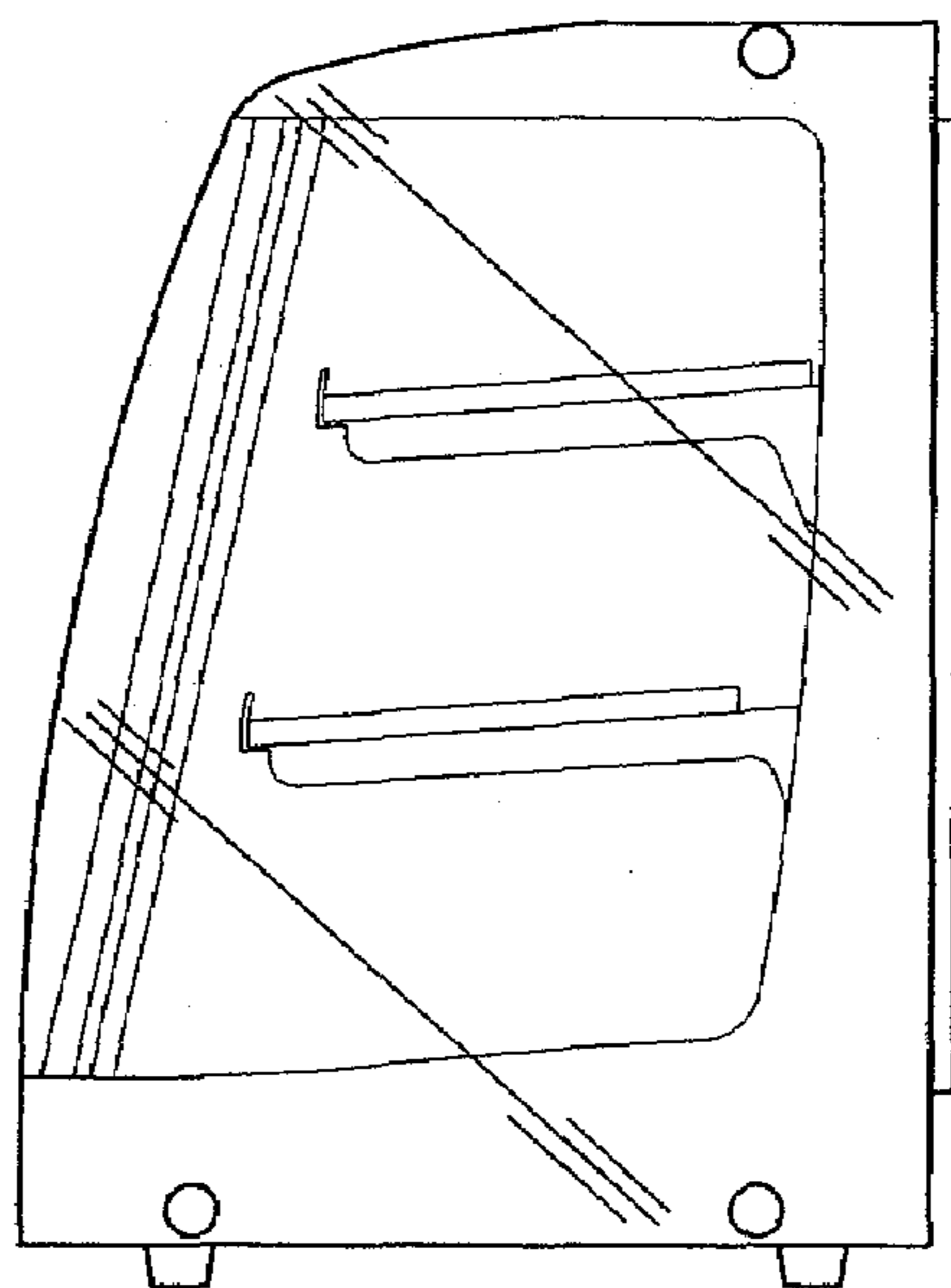


FIG. 3

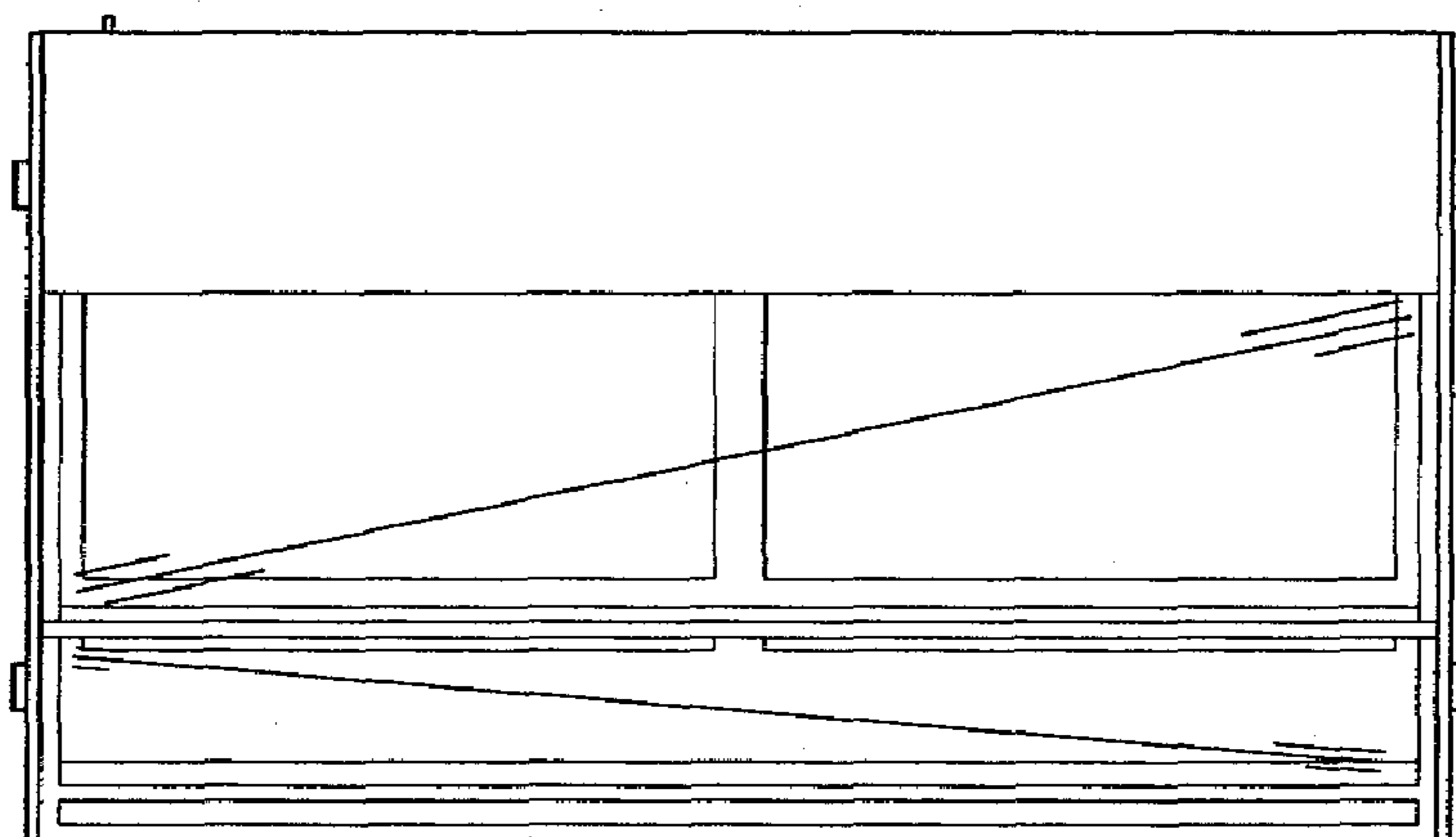


FIG. 4

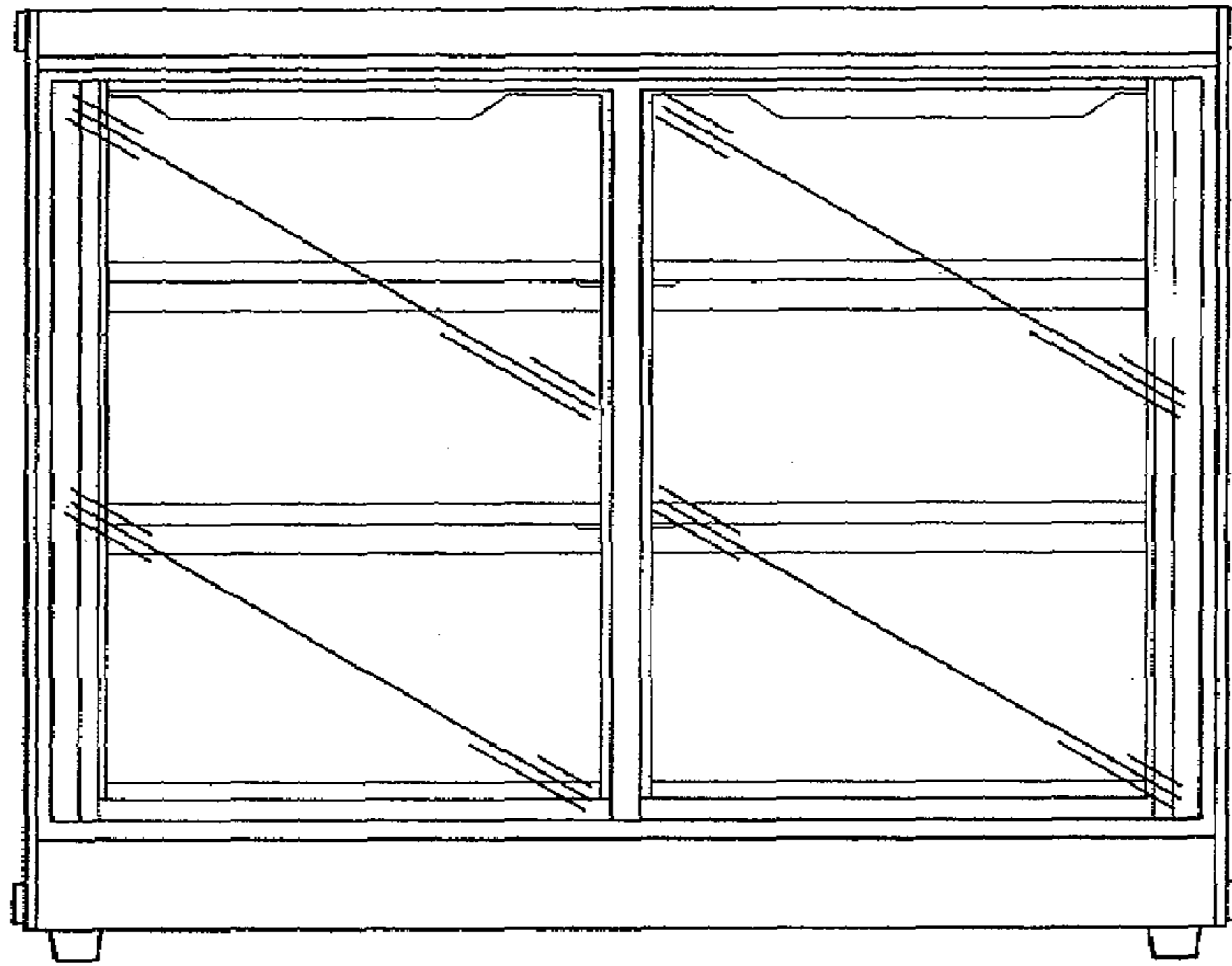


FIG. 5

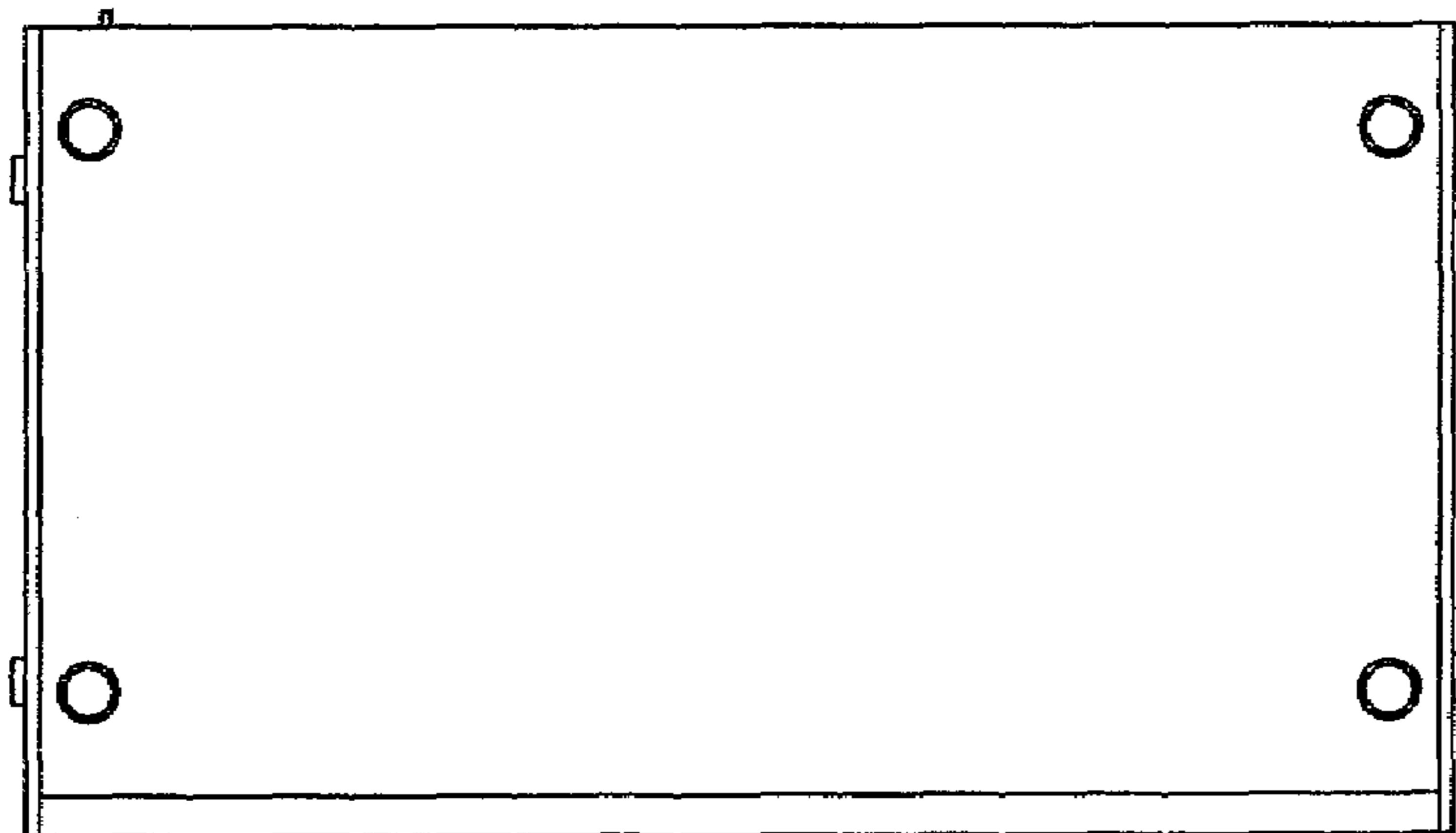


FIG. 6