



US00D594253S

(12) **United States Design Patent**
Lippert et al.

(10) **Patent No.:** **US D594,253 S**
(45) **Date of Patent:** **** Jun. 16, 2009**

(54) **MUSICAL INSTRUMENT STAND**

(75) Inventors: **Helmut Lippert**, Breitenbrunn (DE);
Peter Reichert, Urspringen (DE)

(73) Assignee: **Koenig & Meyer GmbH & Co. KG**,
Wertheim (DE)

(**) Term: **14 Years**

(21) Appl. No.: **29/320,274**

(22) Filed: **Jun. 24, 2008**

(30) **Foreign Application Priority Data**

Dec. 28, 2007 (EM) 000 859 111

(51) **LOC (9) Cl.** **06-04**

(52) **U.S. Cl.** **D6/466; D6/312**

(58) **Field of Classification Search** D6/431,
D6/462, 466, 312, 396, 400, 449, 457; D16/244;
248/170, 166, 175, 173, 177.1, 148; D17/13,
D17/20, 99; D21/691

See application file for complete search history.

(56) **References Cited**

U.S. PATENT DOCUMENTS

D236,227 S * 8/1975 Kester D6/431

(Continued)

Primary Examiner—Caron Veynar

Assistant Examiner—Sydney R Buffalow

(74) *Attorney, Agent, or Firm*—Greenblum & Bernstein,
P.L.C.

(57) **CLAIM**

I claim the ornamental design for a musical instrument stand,
as shown and described.

DESCRIPTION

FIG. 1 is a front and left side perspective view of a musical
instrument stand in a closed or retracted state showing my
new design;

FIG. 2 is a front and top view of the embodiment depicted in
FIG. 1;

FIG. 3 is a rear and top view of the embodiment depicted in
FIG. 1;

FIG. 4 is a front and bottom view of the embodiment depicted
in FIG. 1;

FIG. 5 is a rear and bottom view of the embodiment depicted
in FIG. 1;

FIG. 6 is a right side view of the embodiment depicted in FIG.
1;

FIG. 7 is a left side view of the embodiment depicted in FIG.
1;

FIG. 8 is a front and right side perspective view of a musical
instrument stand showing an embodiment in an open posi-
tion;

FIG. 9 is a front view of the embodiment depicted in FIG. 8;

FIG. 10 is a rear view of the embodiment depicted in FIG. 8;

FIG. 11 is a front view viewed along an axis of an extended
rear leg of the embodiment depicted in FIG. 8;

FIG. 12 is a rear view viewed along the axis of the extended
rear leg of the embodiment depicted in FIG. 8;

FIG. 13 is a left side view of the embodiment depicted in FIG.
8;

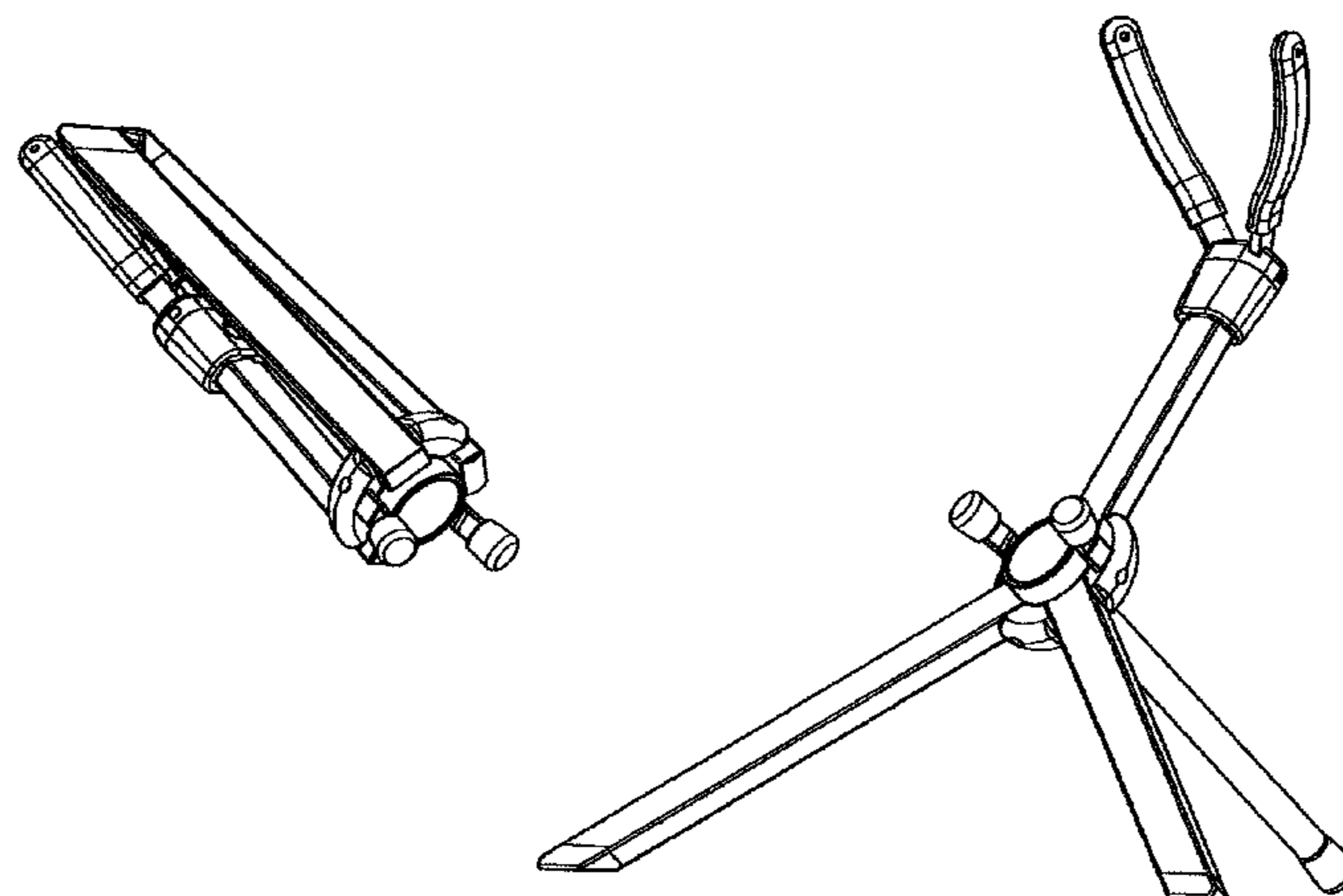
FIG. 14 is a right side view of the embodiment depicted in
FIG. 8;

FIG. 15 is a top view of the embodiment depicted in FIG. 8;
and,

FIG. 16 is a bottom view of the embodiment depicted in FIG.
8.

Applicants expressly reserve the right to modify any of FIGS.
1–16 to show, in line drawing format, any feature depicted in
solid lines in dashed lines. Any surfaces of the design not
shown, including interior surfaces, and the subject matter of
any portions subsequently shown in dashed lines form no part
of the claimed invention.

1 Claim, 16 Drawing Sheets



US D594,253 S

Page 2

U.S. PATENT DOCUMENTS							
				6,283,421	B1 *	9/2001	Eason et al. 248/170
D327,105	S *	6/1992	Smith, Jr. D21/691	D473,058	S *	4/2003	Ingles D6/312
D396,579	S *	8/1998	Kalayjian D6/462	D473,384	S *	4/2003	Ingles D6/312
D414,962	S *	10/1999	Welsh D6/462	D534,741	S *	1/2007	Lippert D6/462
D435,365	S *	12/2000	Eason et al. D6/466				

* cited by examiner

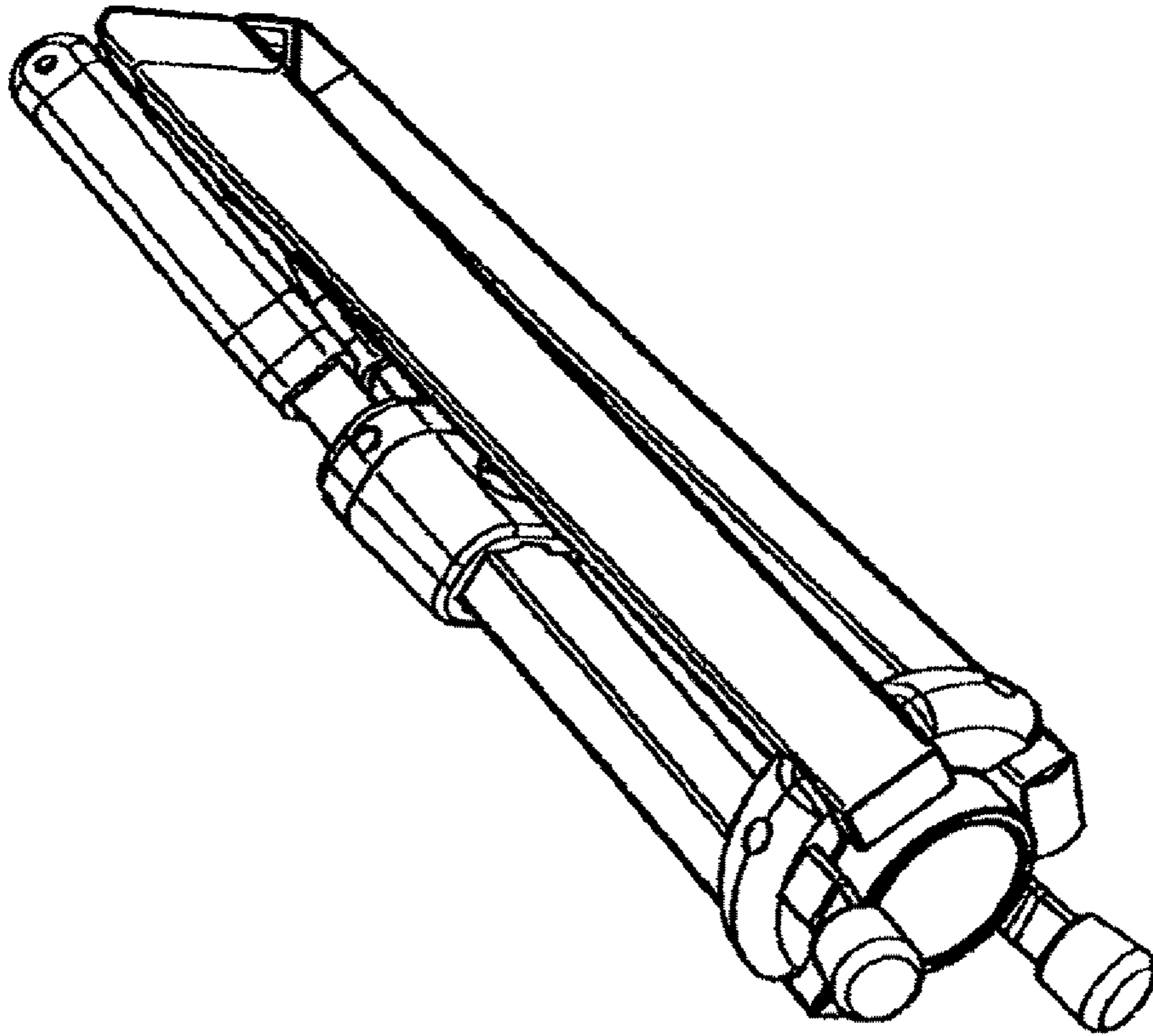


FIG. 1

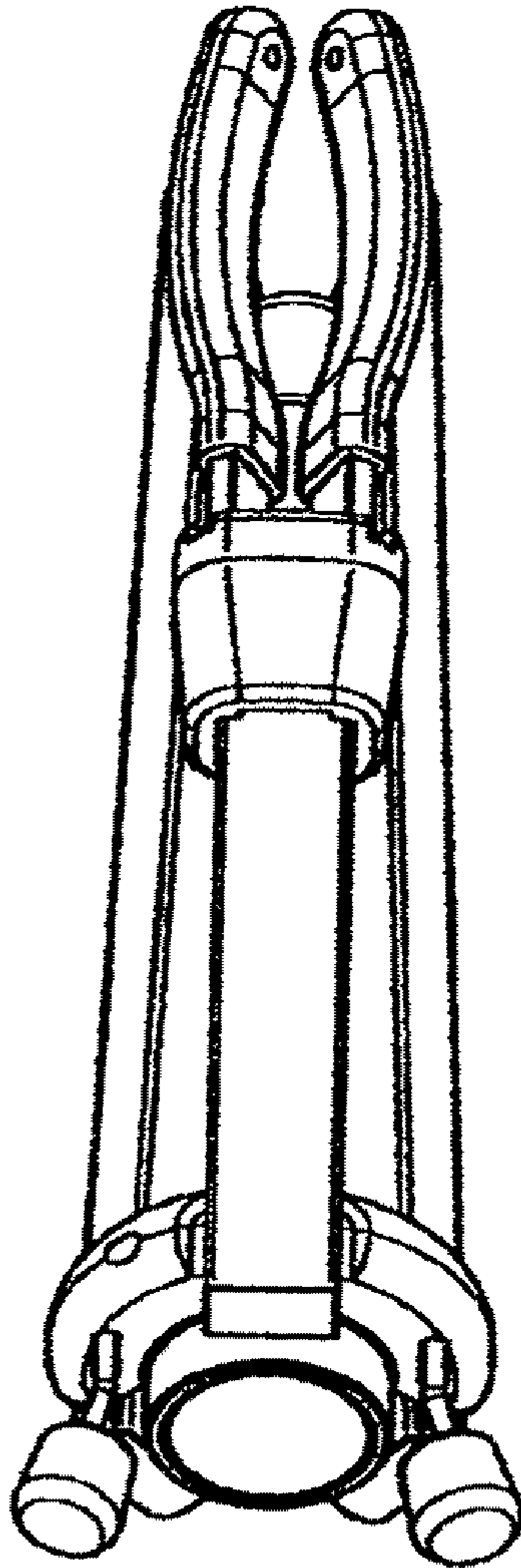


FIG. 2

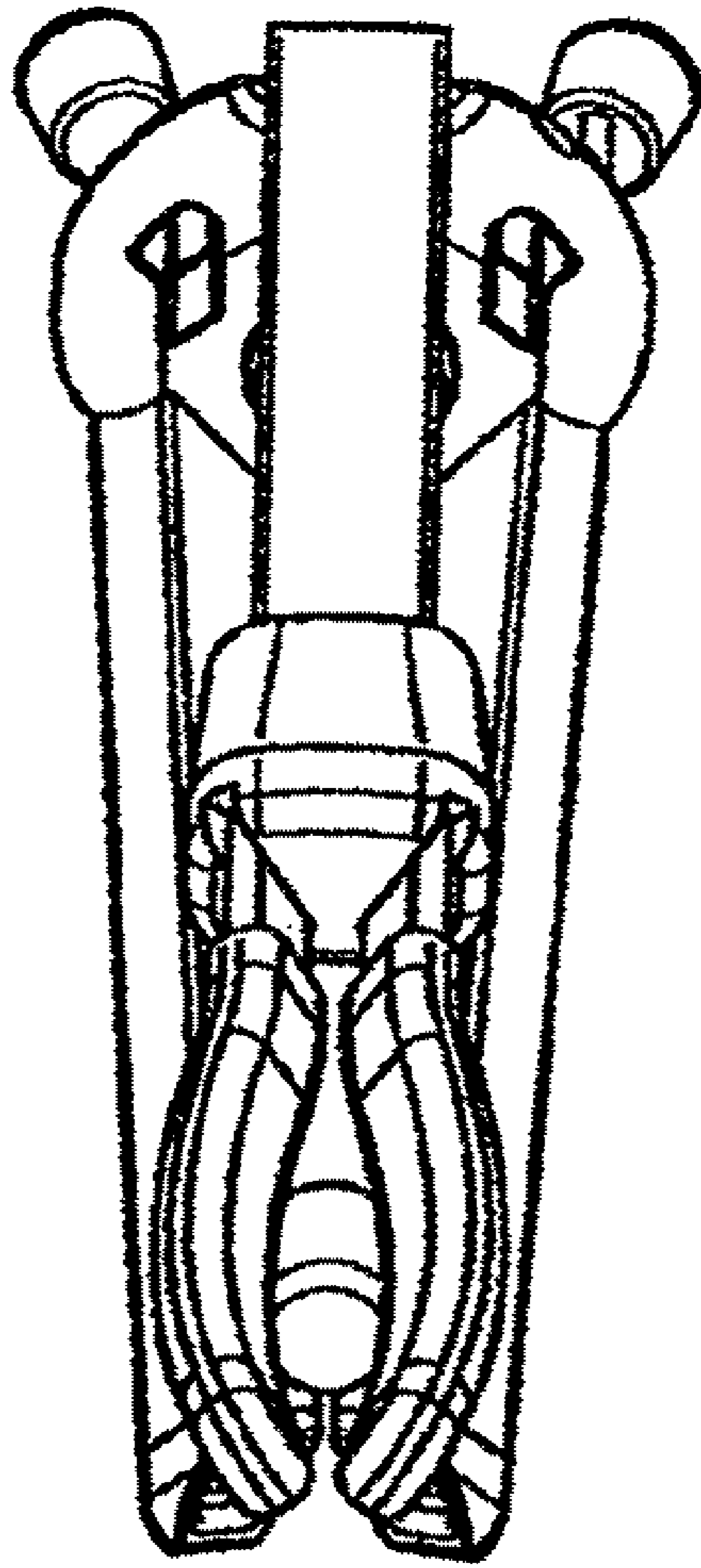


FIG. 3

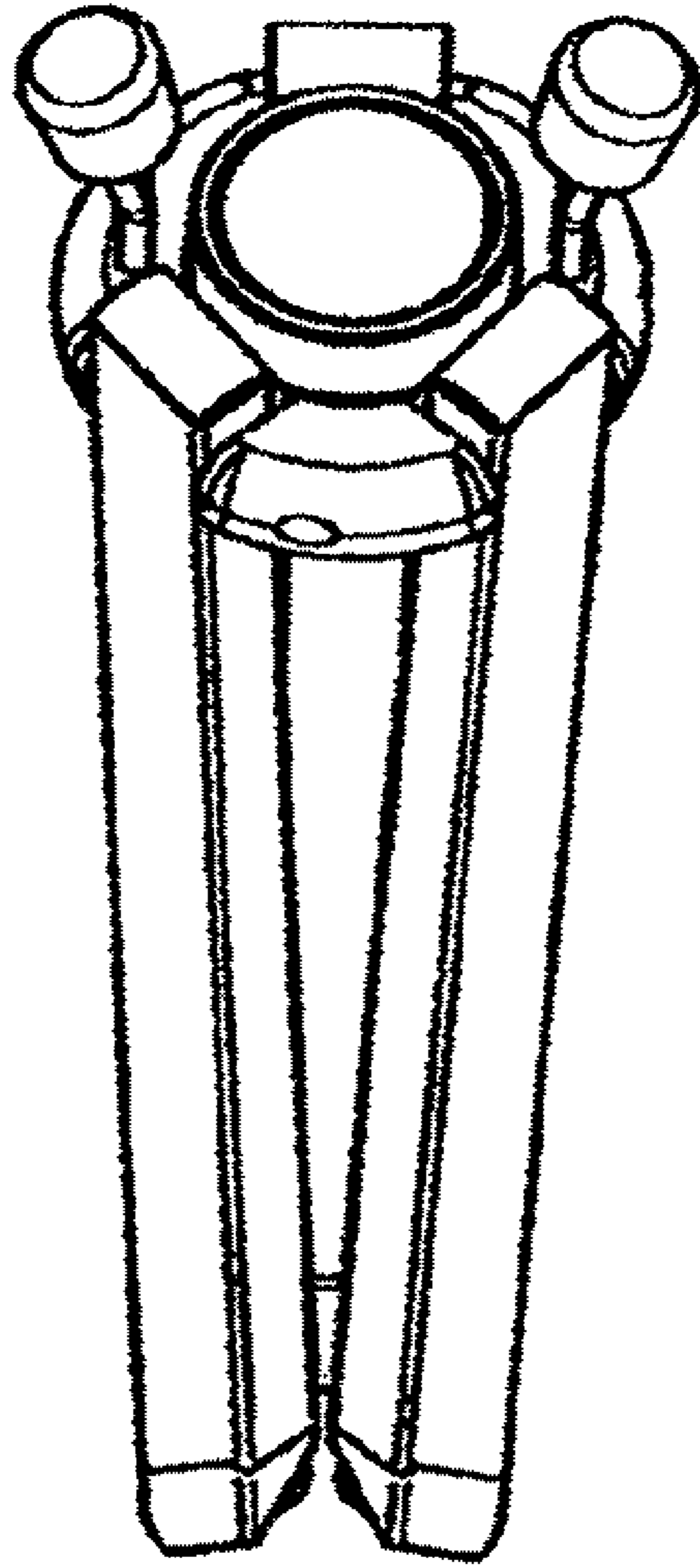


FIG. 4

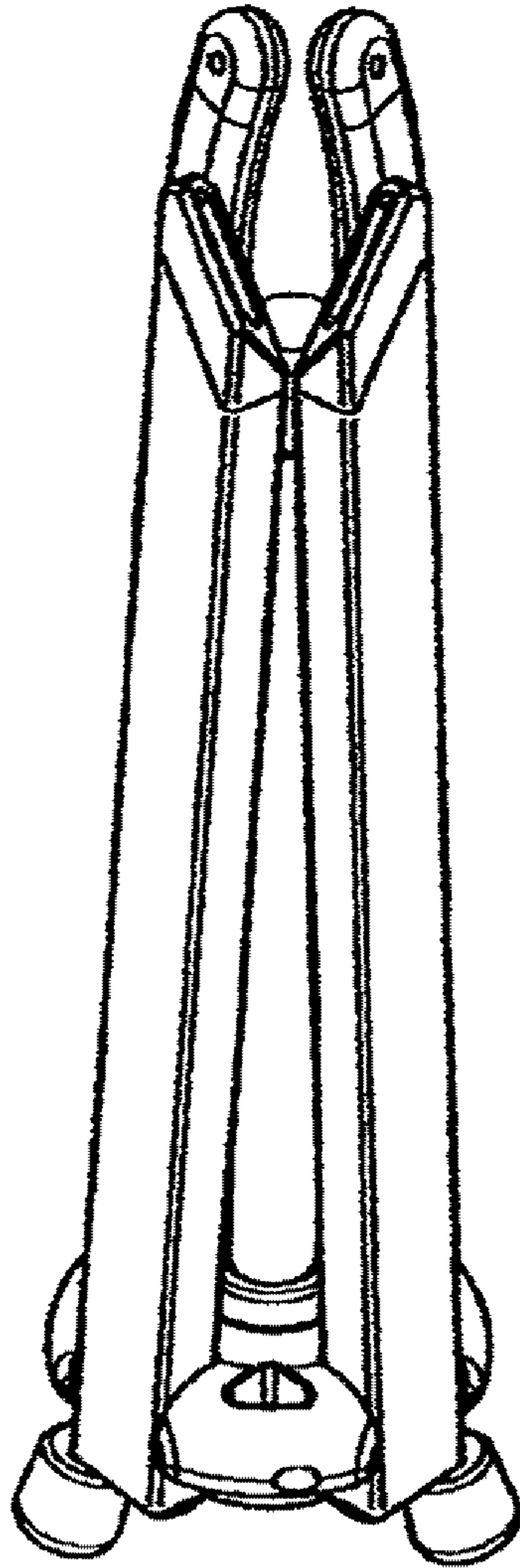


FIG. 5

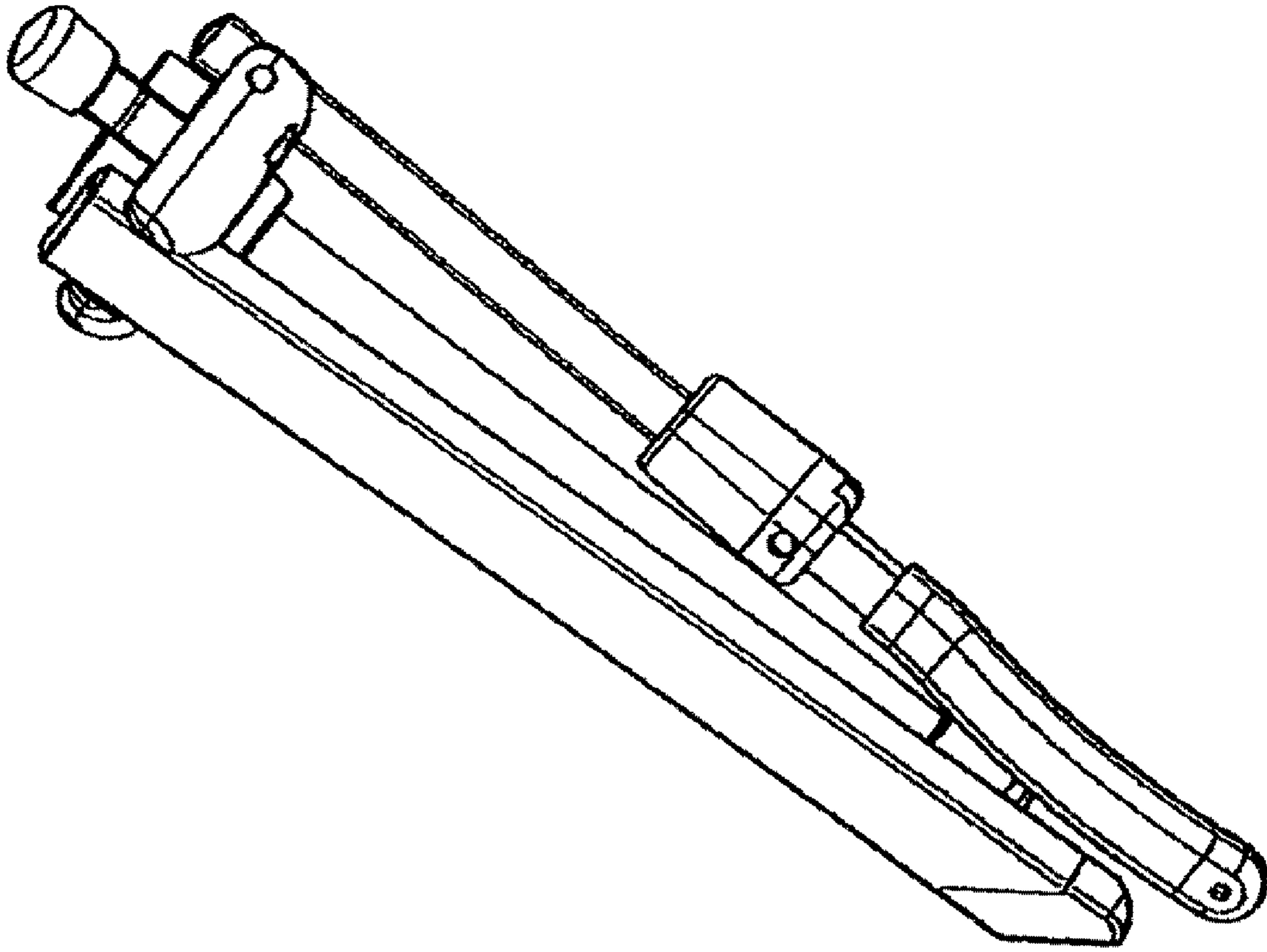


FIG. 6

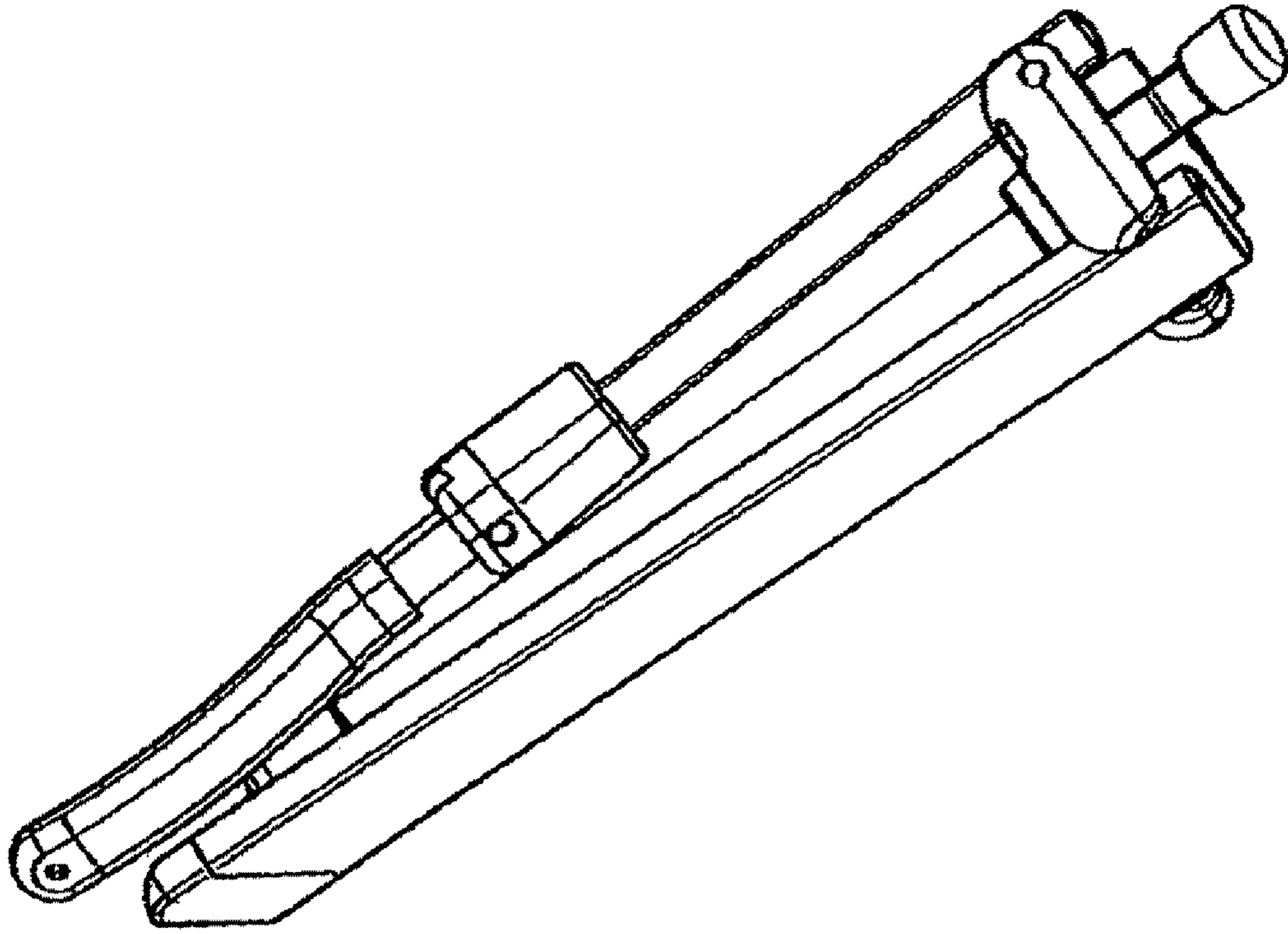


FIG. 7

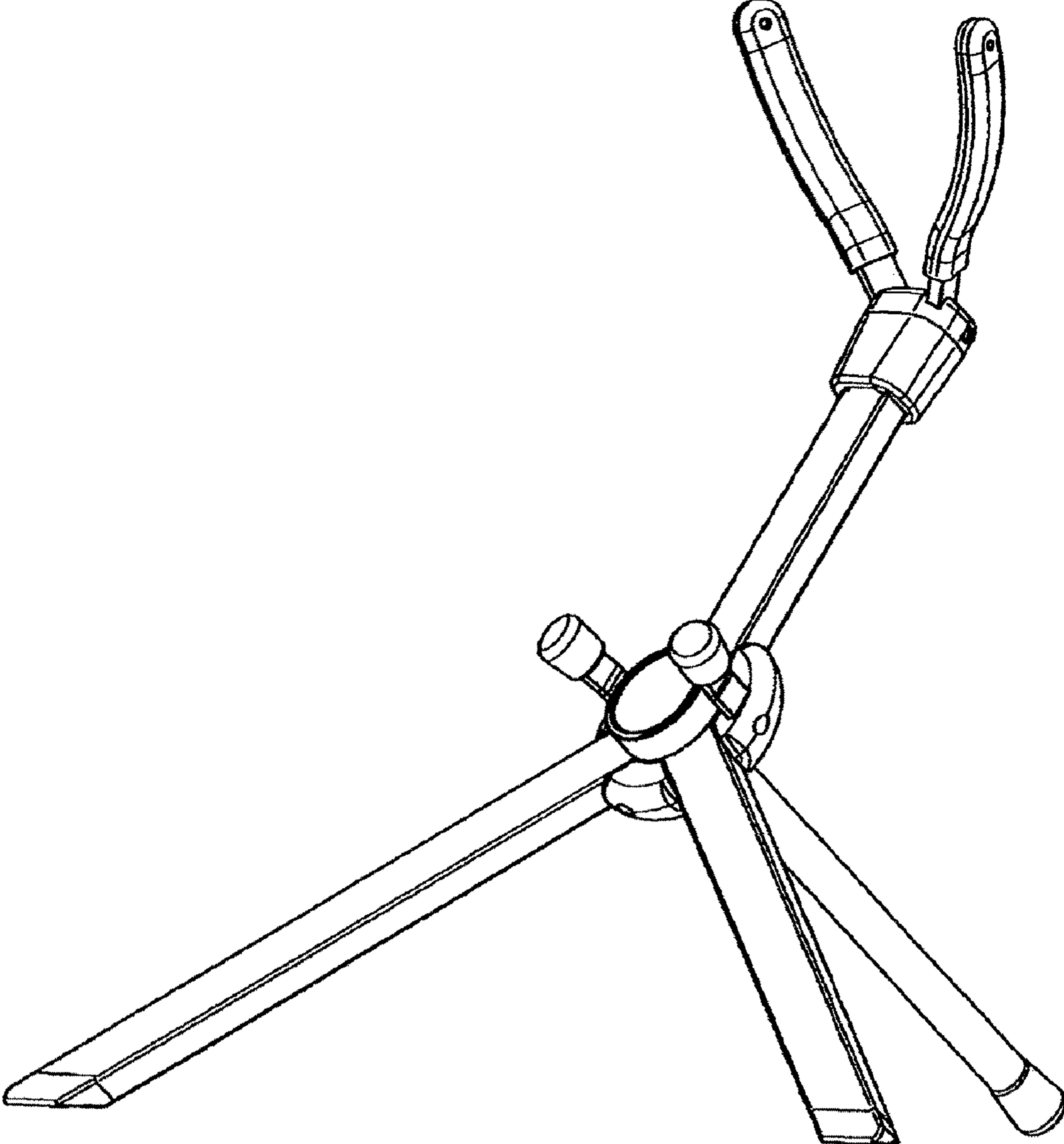


FIG. 8

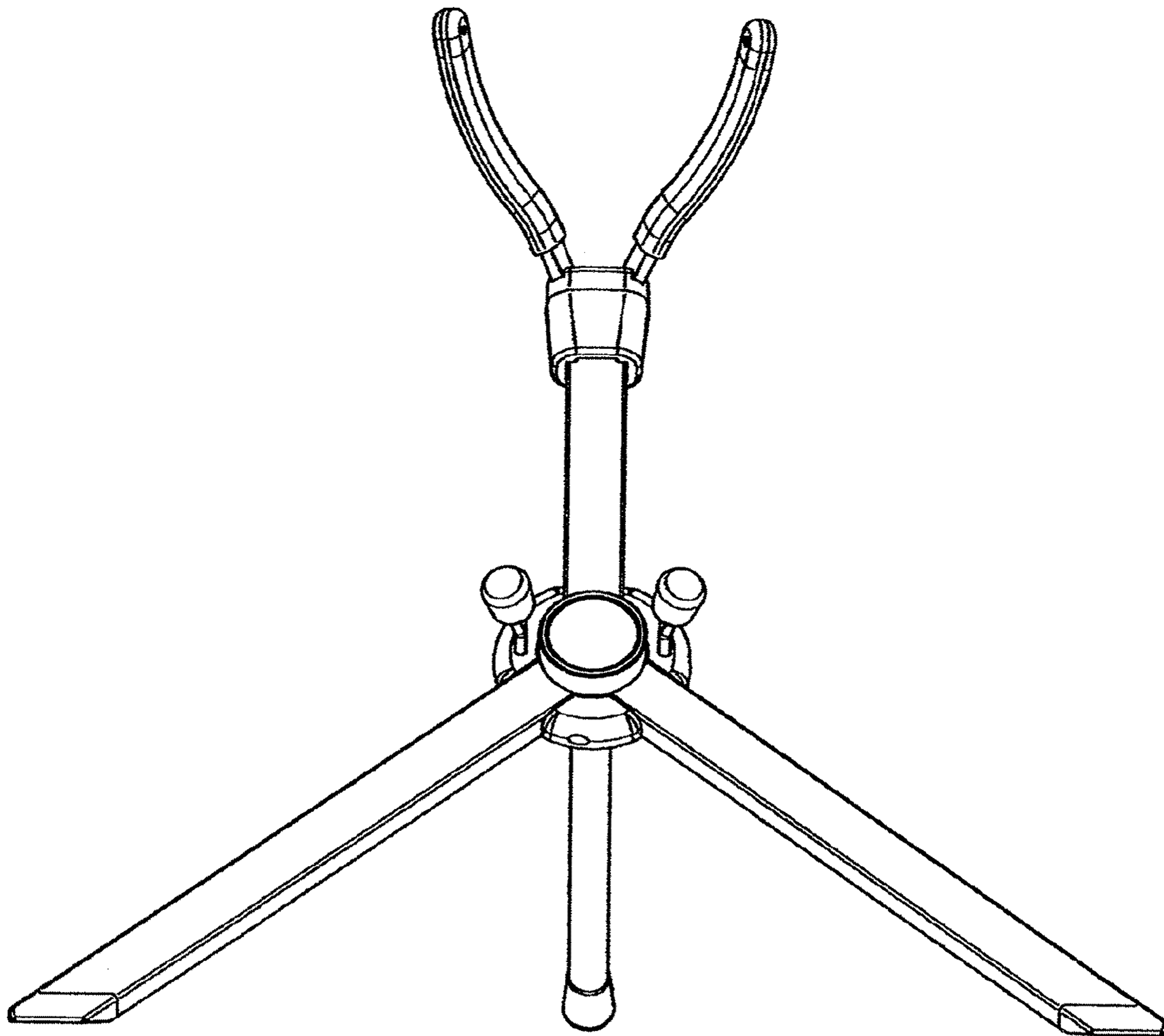


FIG. 9

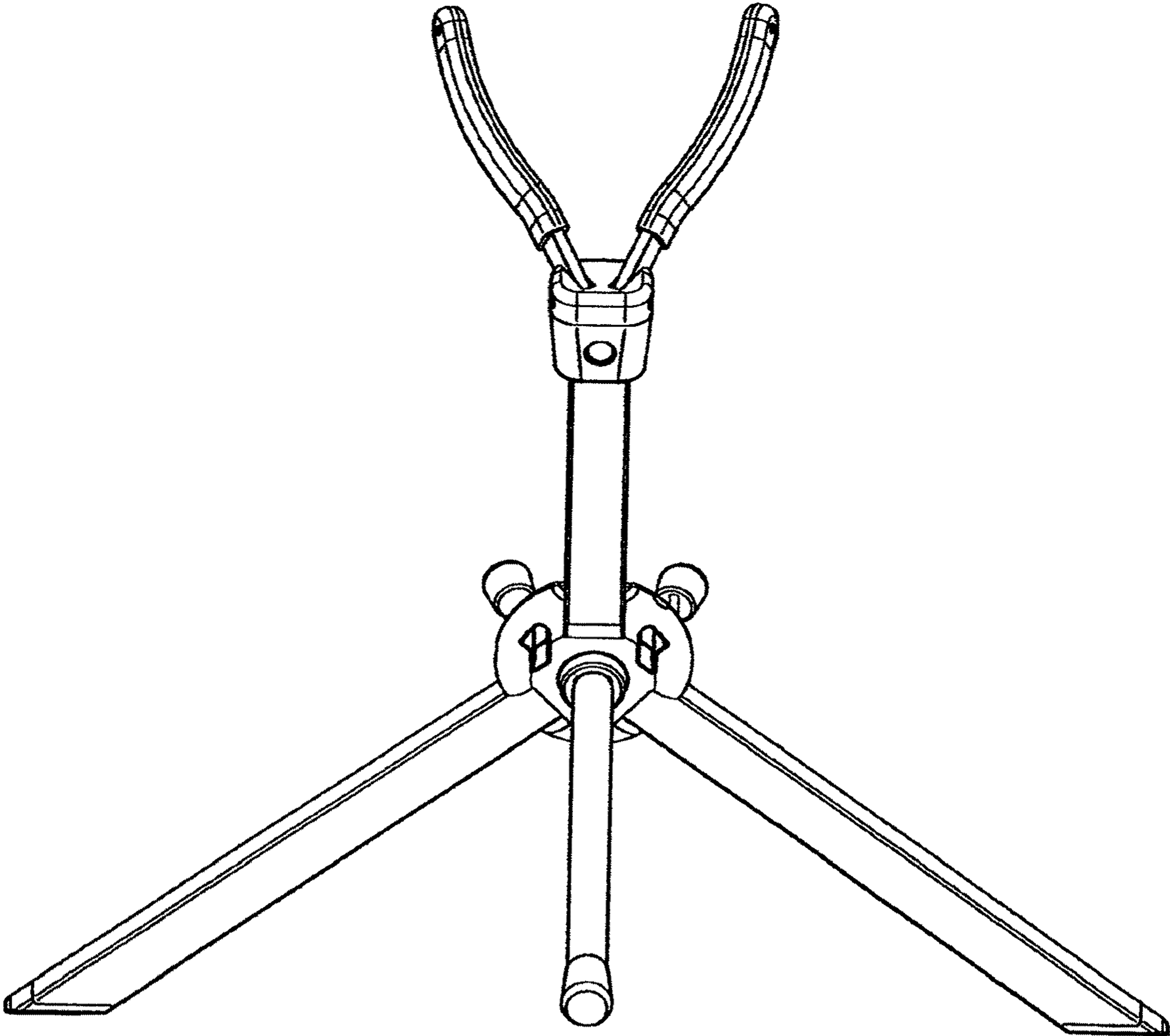


FIG. 10

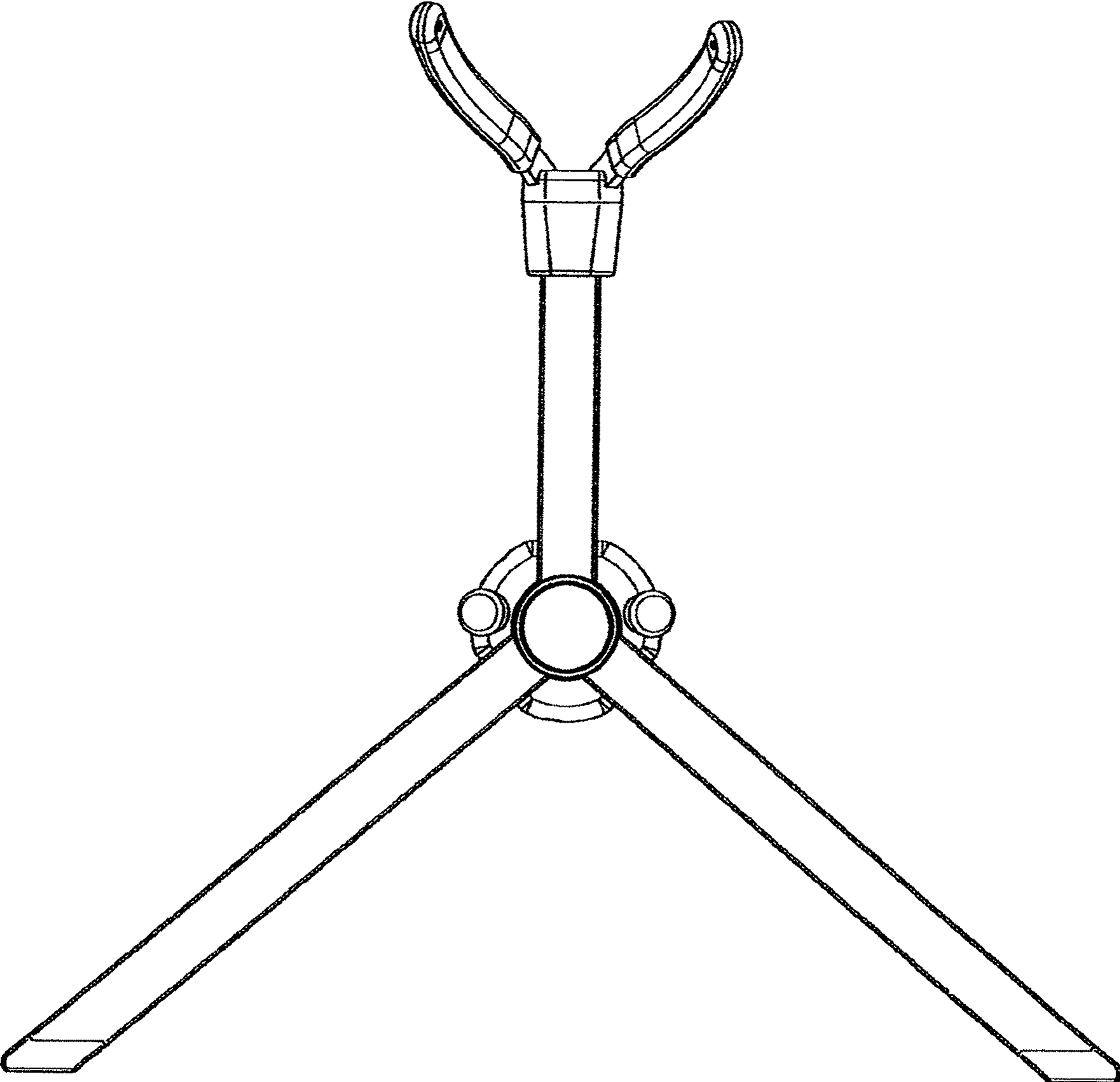


FIG. 11

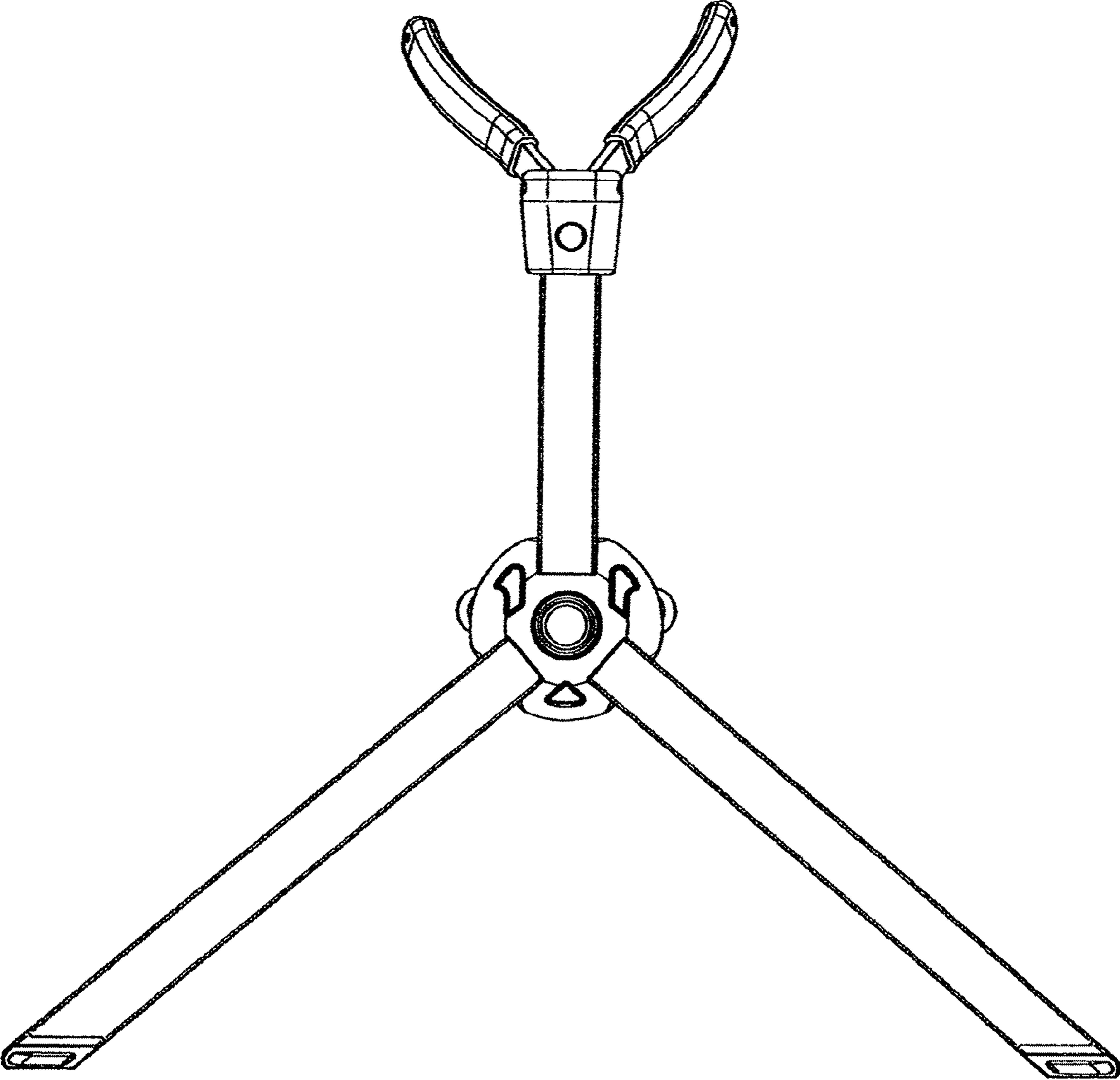


FIG. 12

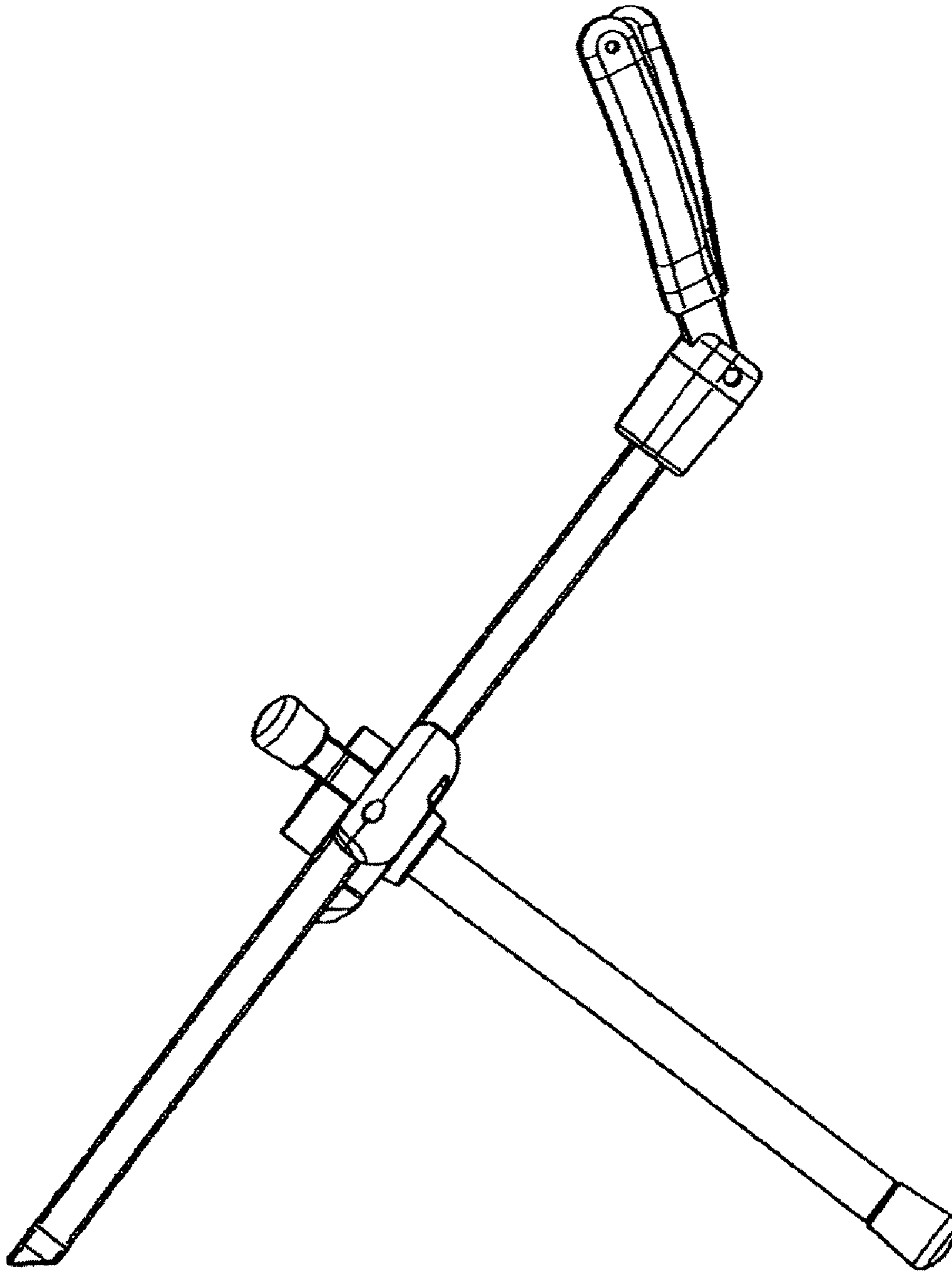


FIG. 13

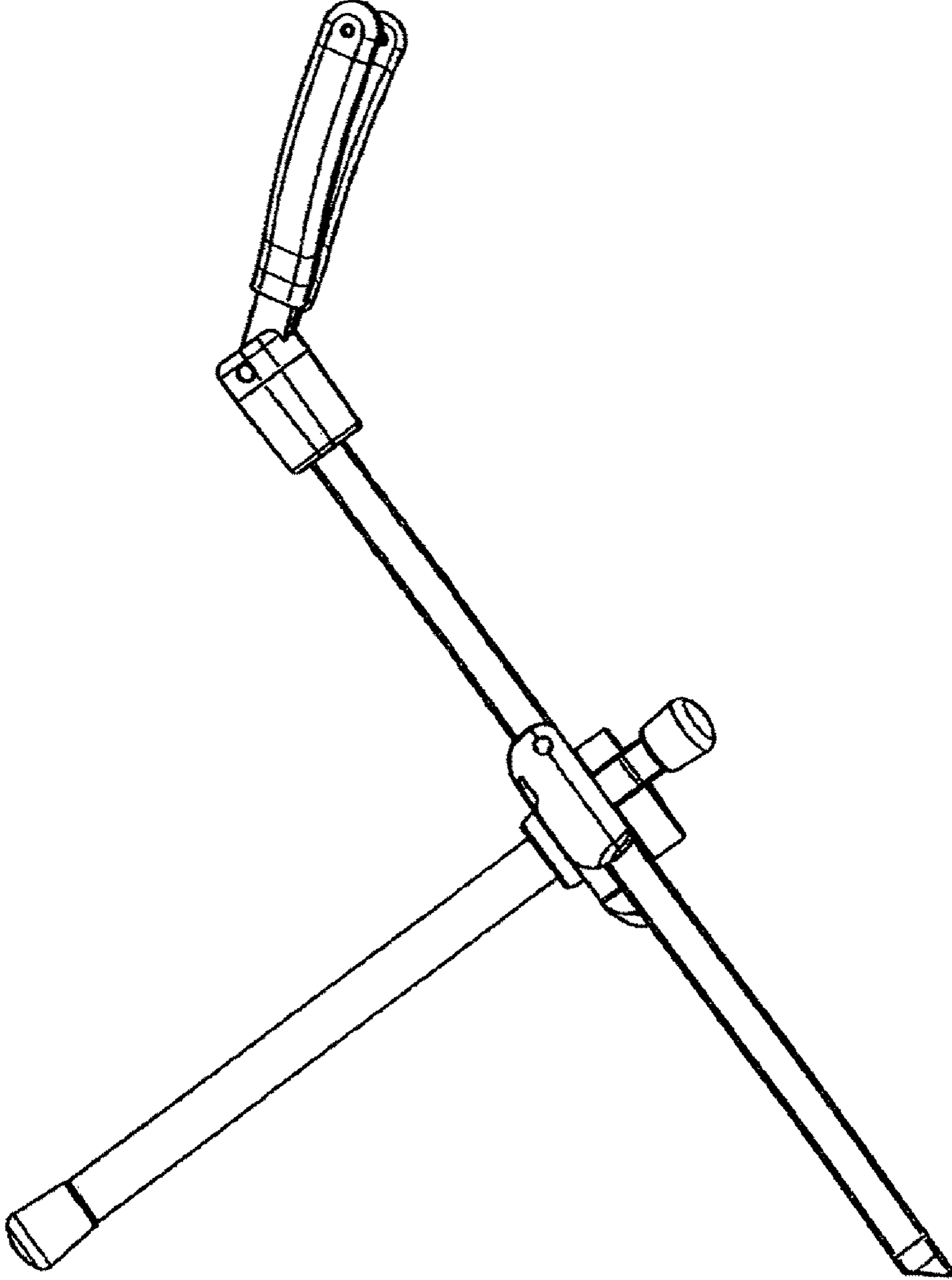


FIG. 14

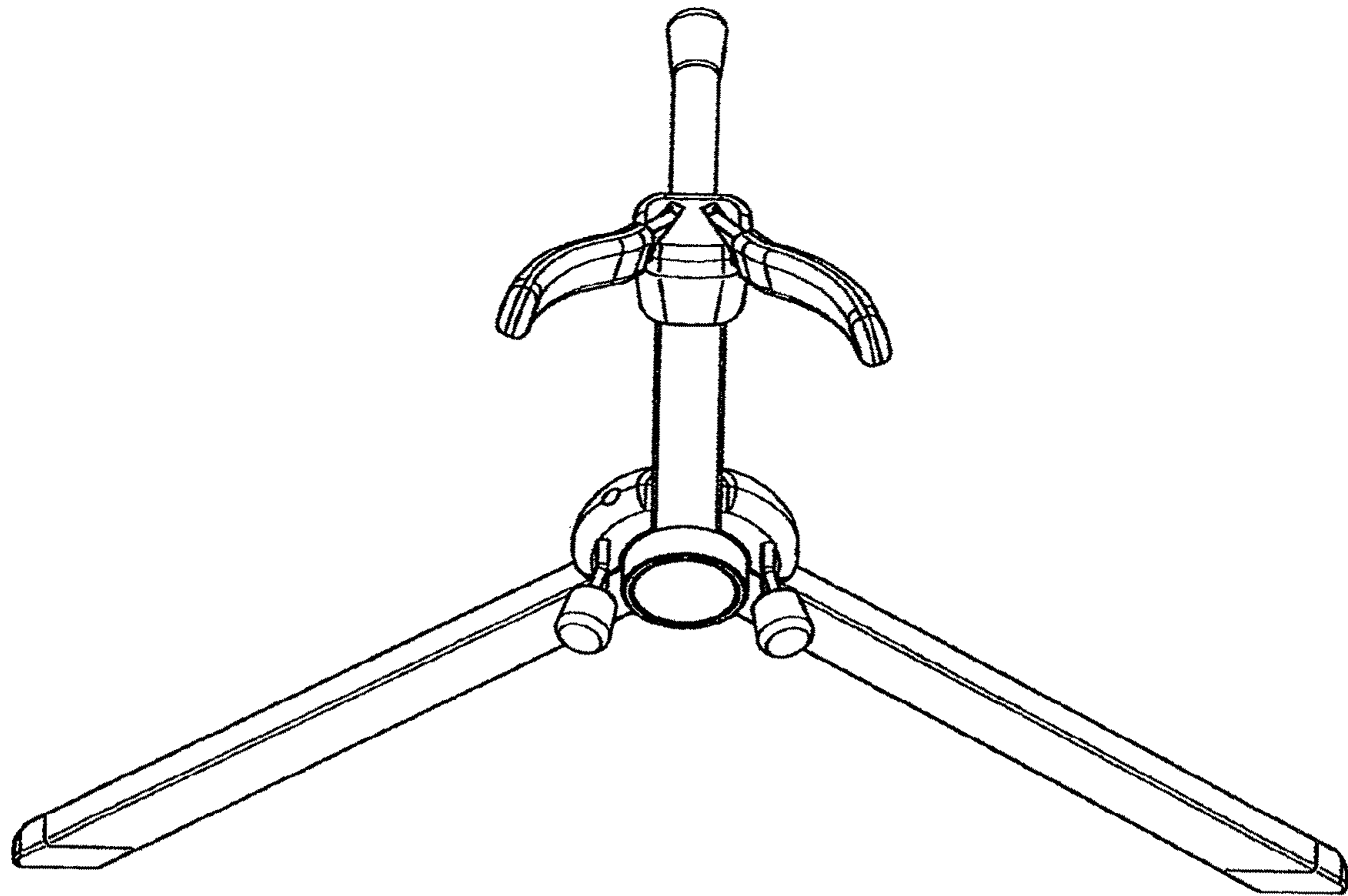


FIG. 15

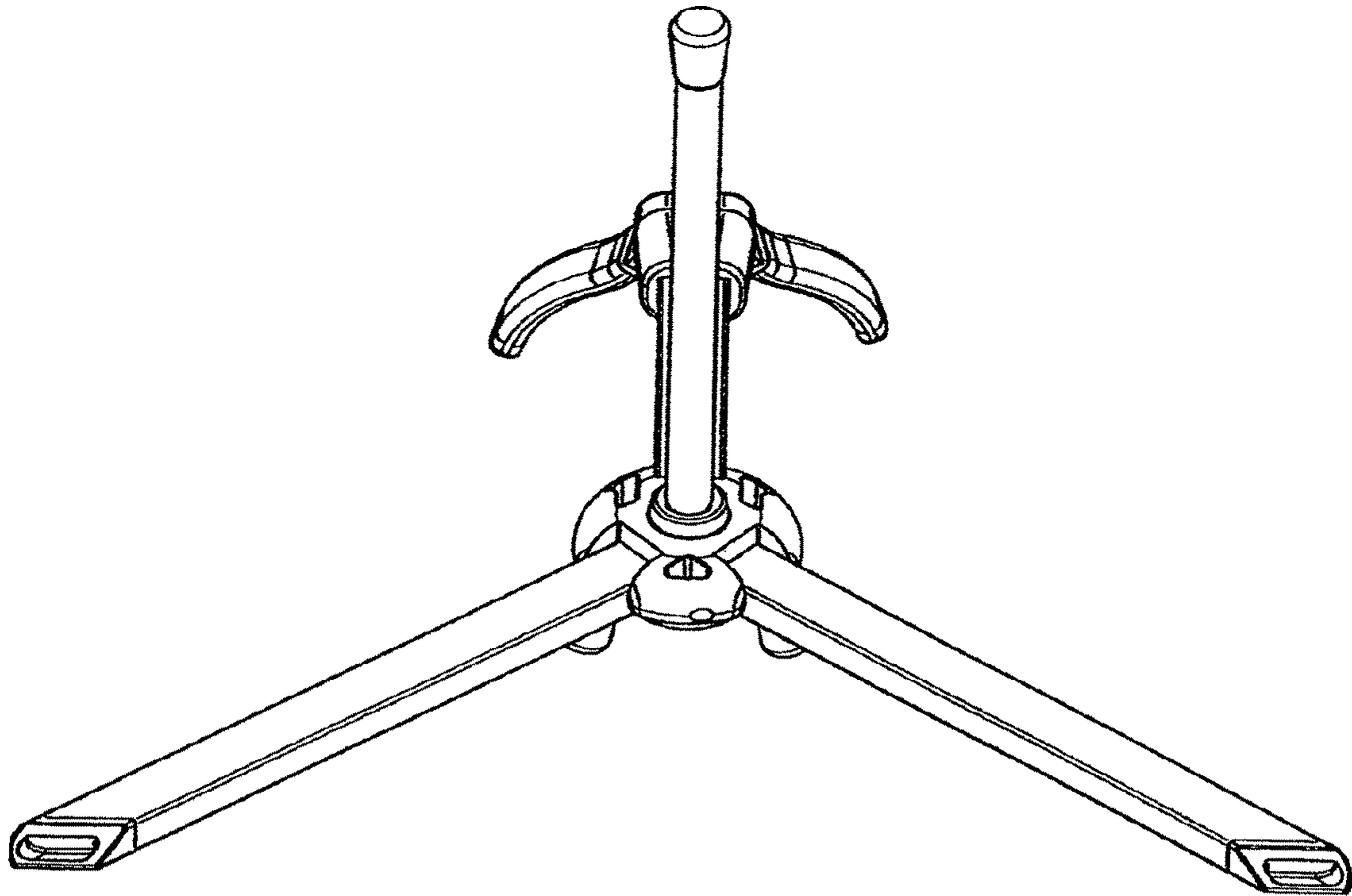


FIG. 16