



US00D594252S

(12) **United States Design Patent**
Gehring

(10) **Patent No.:** **US D594,252 S**

(45) **Date of Patent:** **** Jun. 16, 2009**

(54) **BREAD RACK**

(76) Inventor: **John Gehring**, 4940 Broadway, San Antonio, TX (US) 78209

(**) Term: **14 Years**

(21) Appl. No.: **29/310,877**

(22) Filed: **Sep. 16, 2008**

(51) **LOC (9) Cl.** **06-07**

(52) **U.S. Cl.** **D6/465**

(58) **Field of Classification Search** D6/465,
D6/467, 455, 396, 449, 468, 475, 476, 462;
108/1, 2; 211/182, 181, 88, 14; D34/12
See application file for complete search history.

(56) **References Cited**

U.S. PATENT DOCUMENTS

1,638,173	A	*	8/1927	Spaulding et al.	108/1
1,943,023	A	*	1/1934	Langenkamp et al.	280/79.3
1,957,656	A	*	5/1934	Langenkamp et al.	211/182
2,066,623	A	*	1/1937	Hatch	108/2
D329,556	S	*	9/1992	Brussing	D6/468
D365,227	S	*	12/1995	Chambers et al.	D6/465
D474,870	S	*	5/2003	Post et al.	D34/12

D494,778	S	*	8/2004	Vosbikian	D6/467
D506,625	S	*	6/2005	Yamaguchi	D6/499
D541,555	S	*	5/2007	Falland	D6/462
D568,066	S	*	5/2008	Cohen	D6/475

* cited by examiner

Primary Examiner—Janice E Seeger

Assistant Examiner—Sydney R Buffalow

(74) *Attorney, Agent, or Firm*—Gunn, Lee & Cave, PC

(57) **CLAIM**

The ornamental design for a bread rack, as shown and described.

DESCRIPTION

FIG. 1 is a perspective view of the bread rack.

FIG. 2 is a top view thereof.

FIG. 3 is a bottom view thereof.

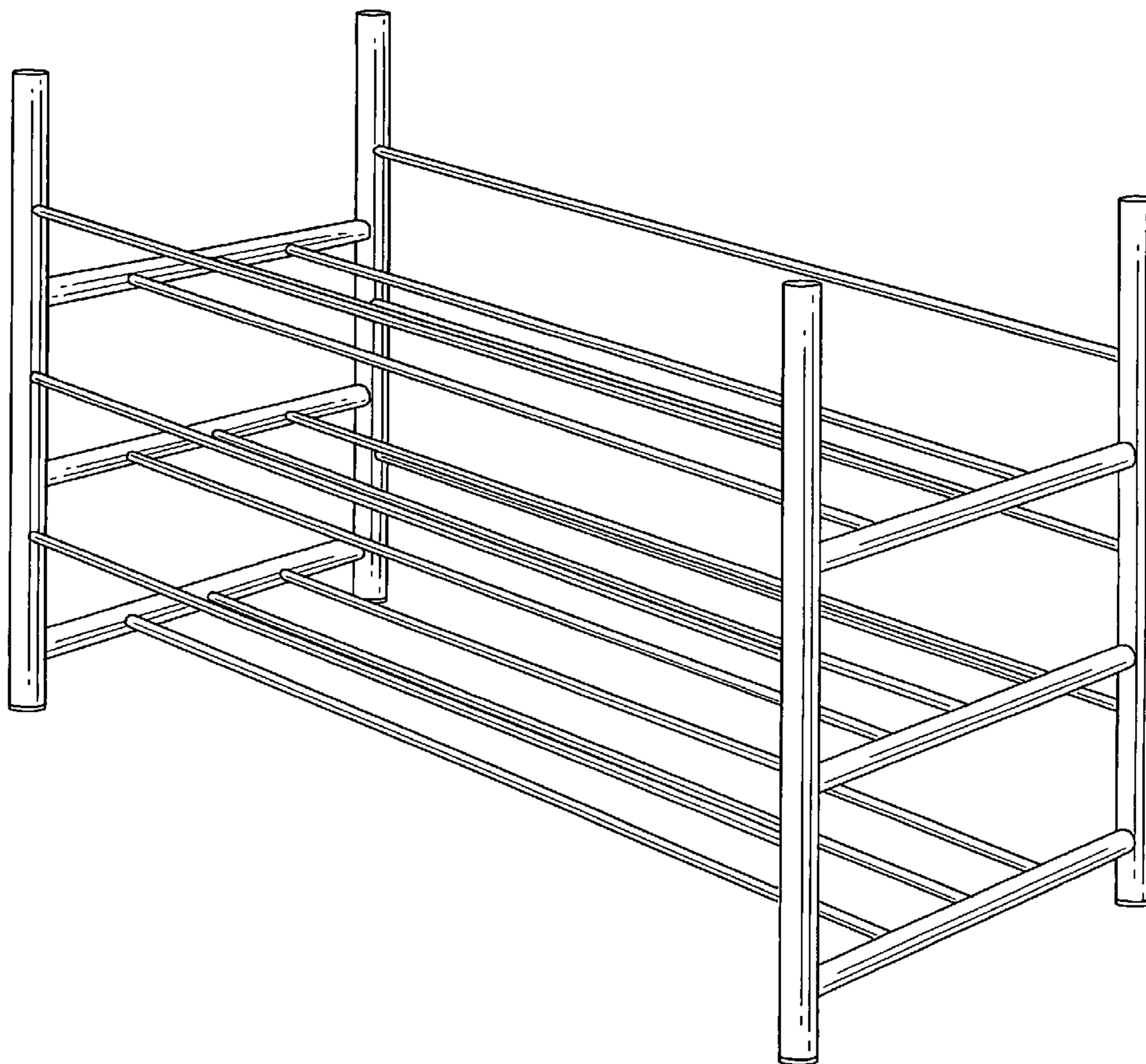
FIG. 4 is a front view thereof.

FIG. 5 is a left side view thereof.

FIG. 6 is a rear view thereof; and,

FIG. 7 is a right side view thereof.

1 Claim, 6 Drawing Sheets



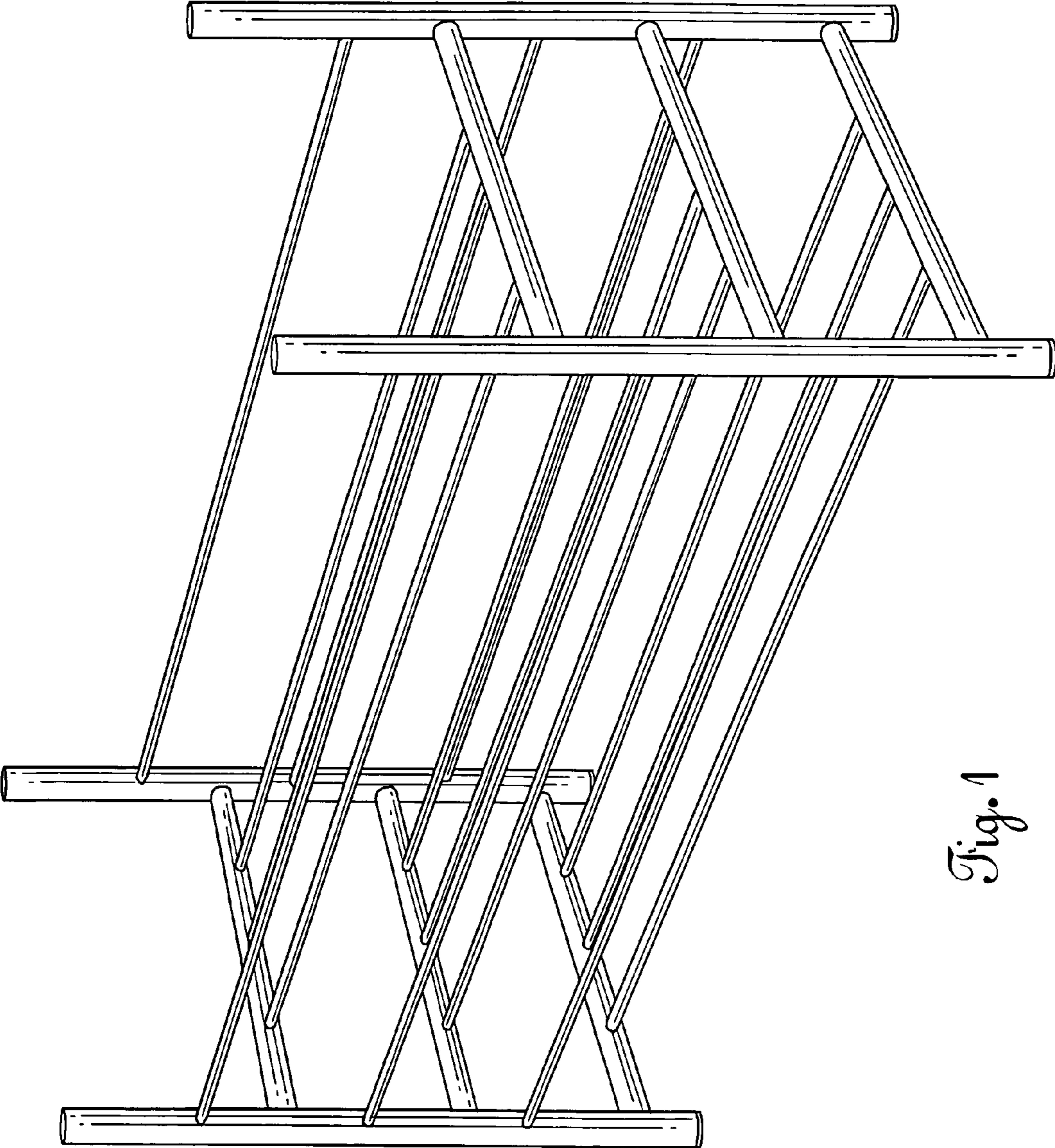


Fig. 1

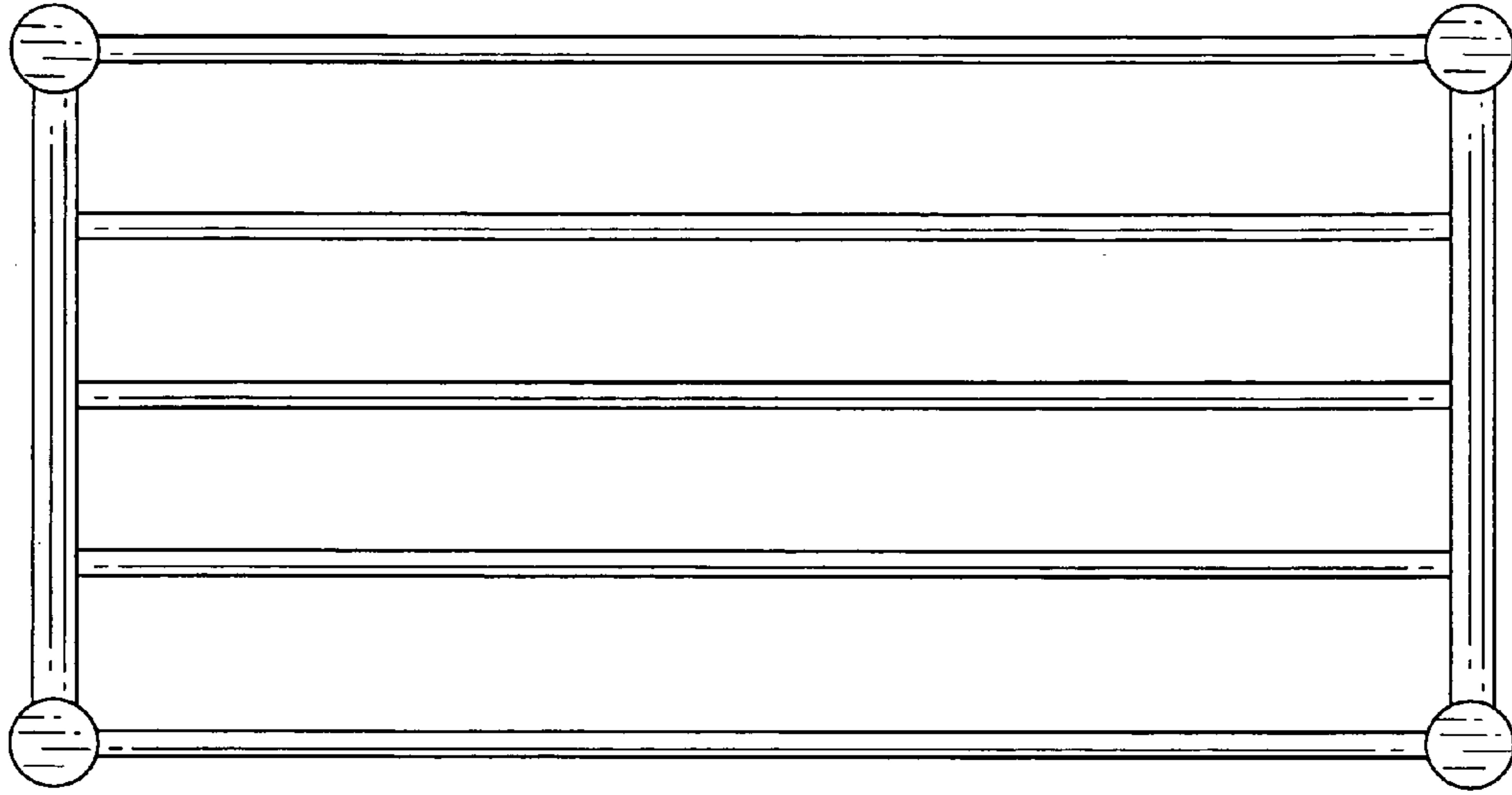


Fig. 2

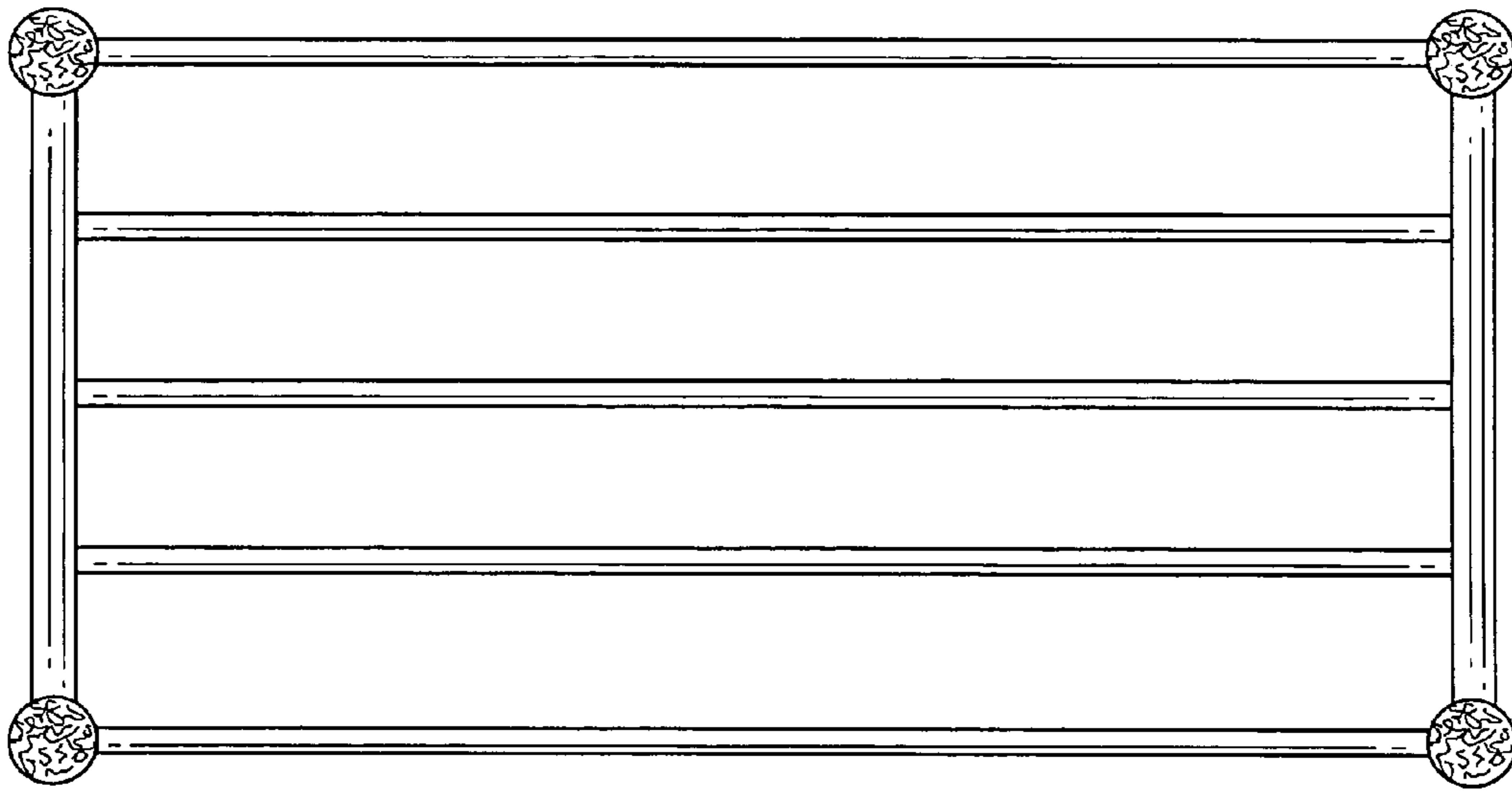


Fig. 3

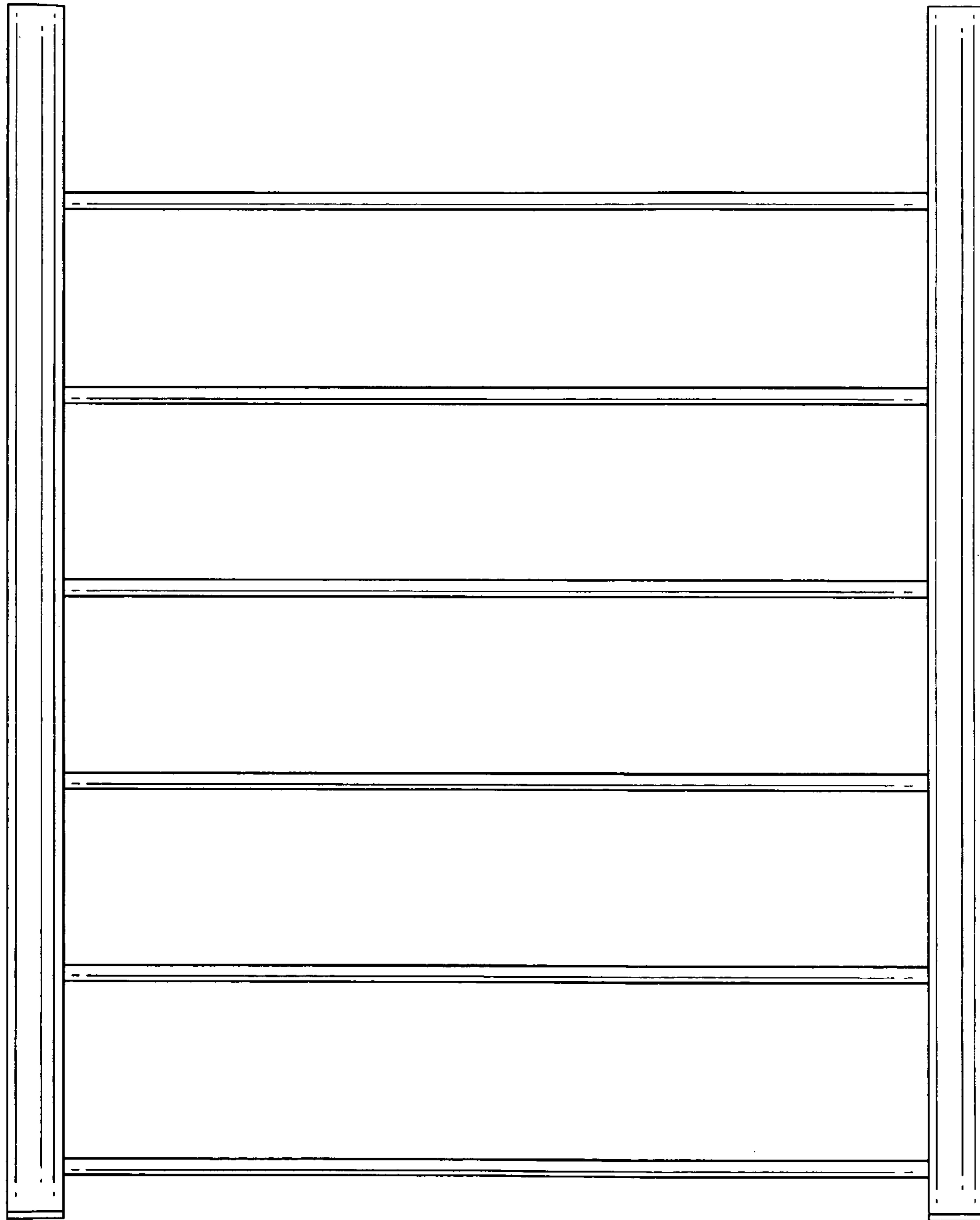


Fig. 4

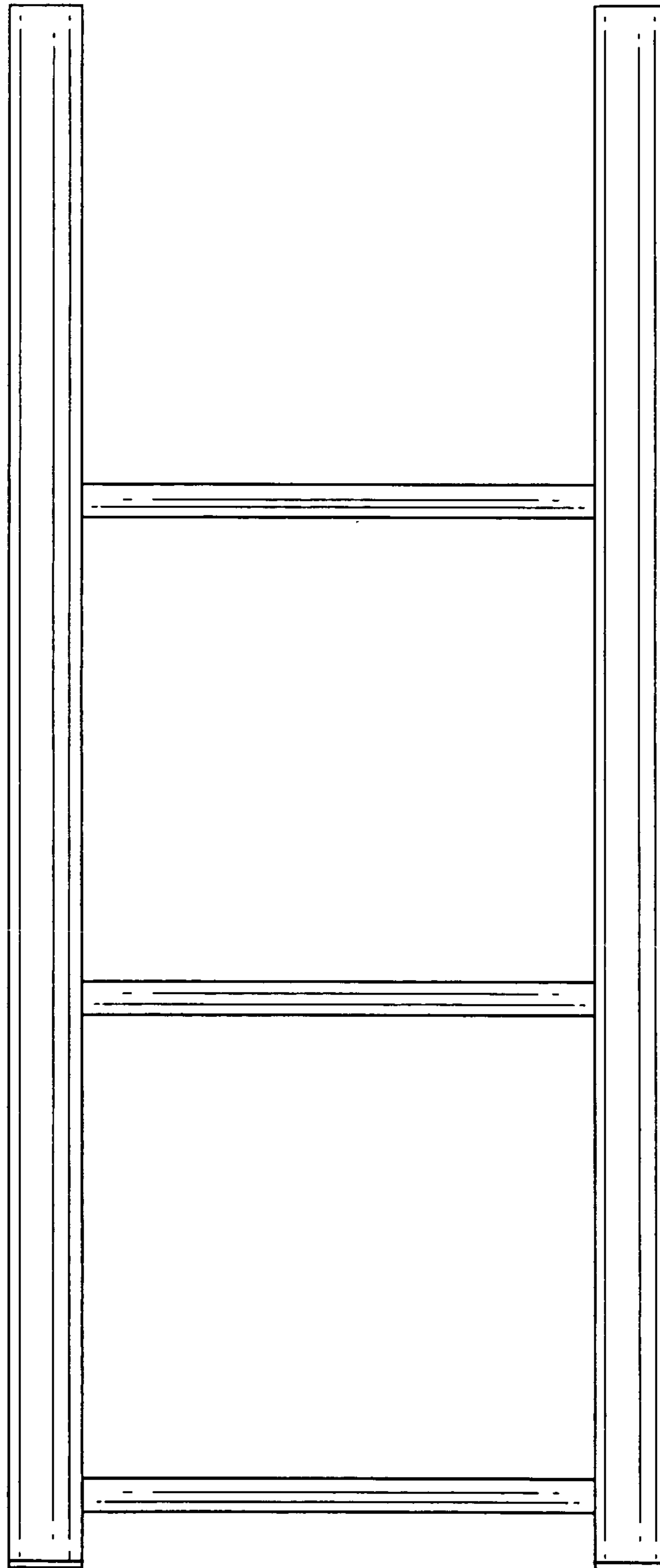


Fig. 5

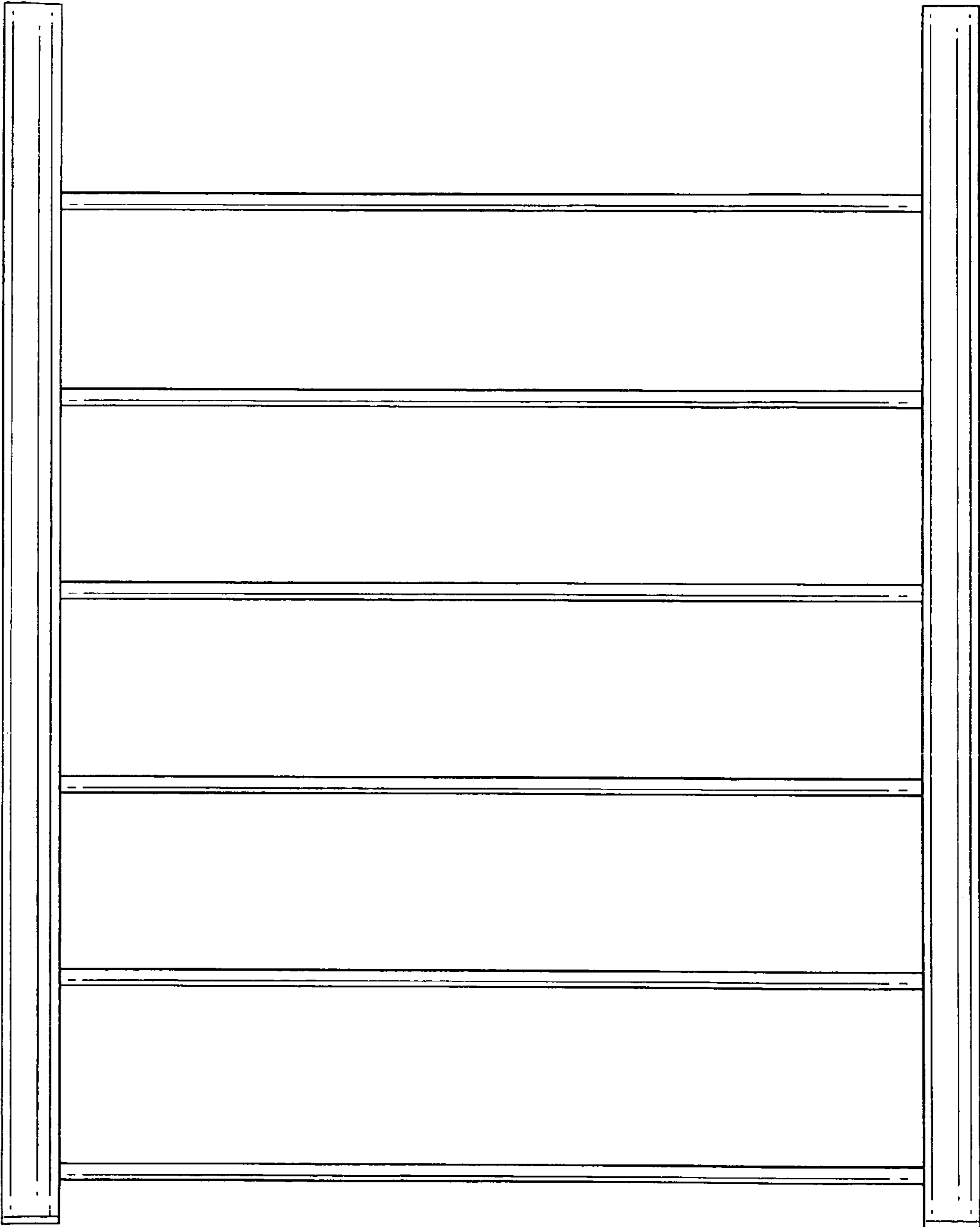


Fig. 6

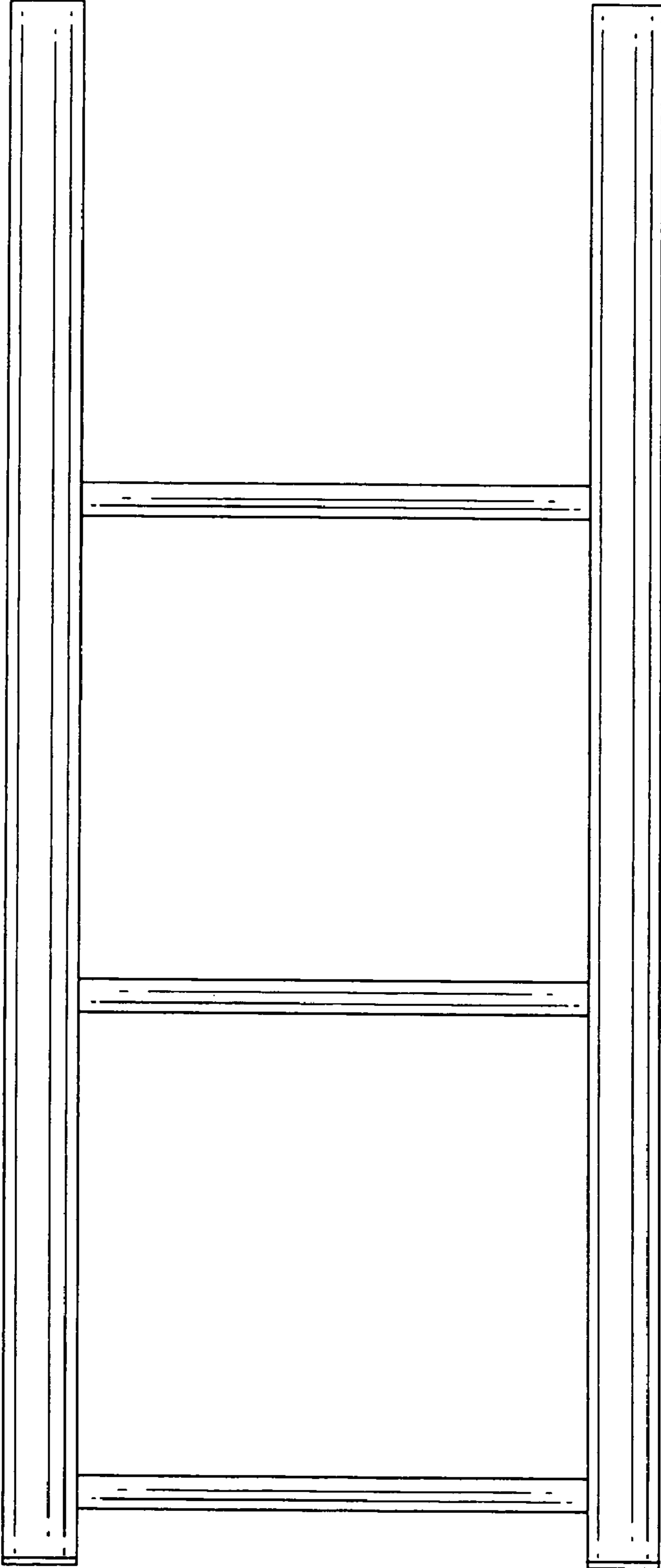


Fig. 7