



US00D594251S

(12) **United States Design Patent**
Leyden

(10) **Patent No.:** **US D594,251 S**
(45) **Date of Patent:** **** Jun. 16, 2009**

(54) **VERTICAL SUPPORT ON DISPLAY STAND FOR PORTABLE ARTICLE**

D581,183 S * 11/2008 Kutscha et al. D6/449

(75) Inventor: **Roger Leyden**, Inverness, IL (US)

(73) Assignee: **Se-Kure Controls, Inc.**, Franklin Park, IL (US)

(**) Term: **14 Years**

(21) Appl. No.: **29/310,028**

(22) Filed: **Jul. 22, 2008**

(51) **LOC (9) Cl.** **06-04**

(52) **U.S. Cl.** **D6/457**

(58) **Field of Classification Search** D6/449,
D6/466, 462, 458, 491, 495, 499, 503; D29/130;
340/568.2, 568.1, 687, 572.9, 686.1, 686.4;
52/578

See application file for complete search history.

(56) **References Cited**

U.S. PATENT DOCUMENTS

- 1,978,494 A * 10/1934 Hugo 52/578
- 5,146,205 A * 9/1992 Keifer et al. 340/568.2
- D383,925 S * 9/1997 Ahlberg D6/491
- D383,926 S * 9/1997 Spector D6/495
- 6,476,717 B1 * 11/2002 Gross et al. 340/568.1
- 6,946,961 B2 * 9/2005 Frederiksen et al. 340/568.2
- 7,167,096 B2 * 1/2007 Marsilio et al. 340/572.9
- D541,085 S * 4/2007 Marsilio D6/495
- 7,209,038 B1 4/2007 Deconinck et al.
- D550,003 S * 9/2007 Fiore et al. D6/503
- 7,327,276 B1 * 2/2008 Deconinck et al. 340/687

OTHER PUBLICATIONS

SeKure Controls. Inc Catalog State-of-the-Art Anti-Shoplifting Devices. May 2007 (Cover and pp. 1, 9 and 10).

* cited by examiner

Primary Examiner—Caron Veynar

Assistant Examiner—Sydney R Buffalow

(74) *Attorney, Agent, or Firm*—Wood, Phillips, Katz, Clark & Mortimer

(57) **CLAIM**

The ornamental design for a vertical support on display stand for portable article, as shown and described.

DESCRIPTION

FIG. 1 is a front, right side and top perspective view of my design for a vertical support on display stand for portable article;

FIG. 2 is a front elevation view thereof;

FIG. 3 is a rear elevation view thereof;

FIG. 4 is a left side elevation view thereof;

FIG. 5 is a top view thereof; and,

FIG. 6 is a bottom view thereof.

The right side elevation view is a mirror image of the left side elevation view in FIG. 4.

The portions of the vertical support on display stand for portable article shown in dotted lines do not constitute a part of the claimed design.

1 Claim, 4 Drawing Sheets

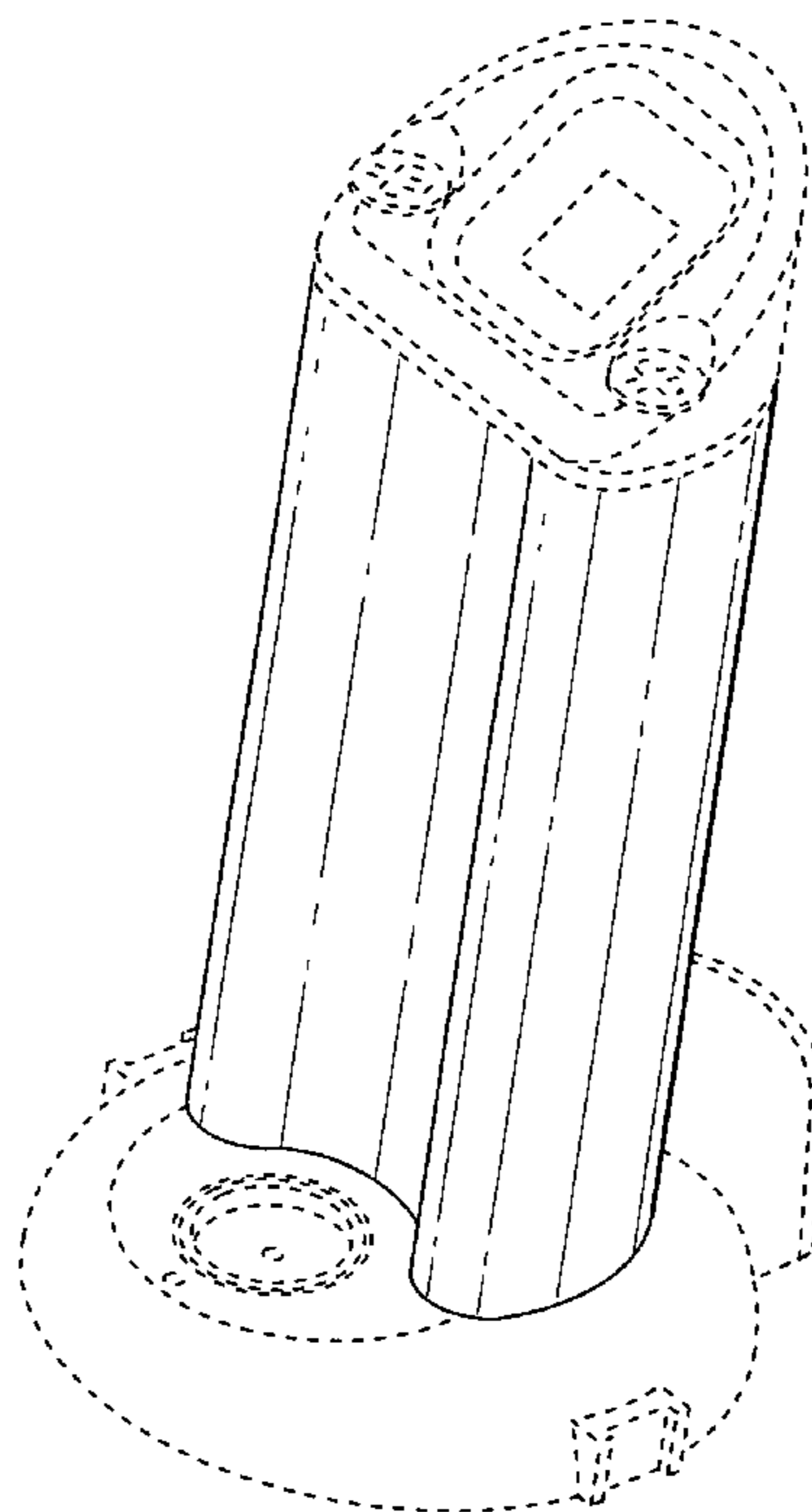


Fig. 1

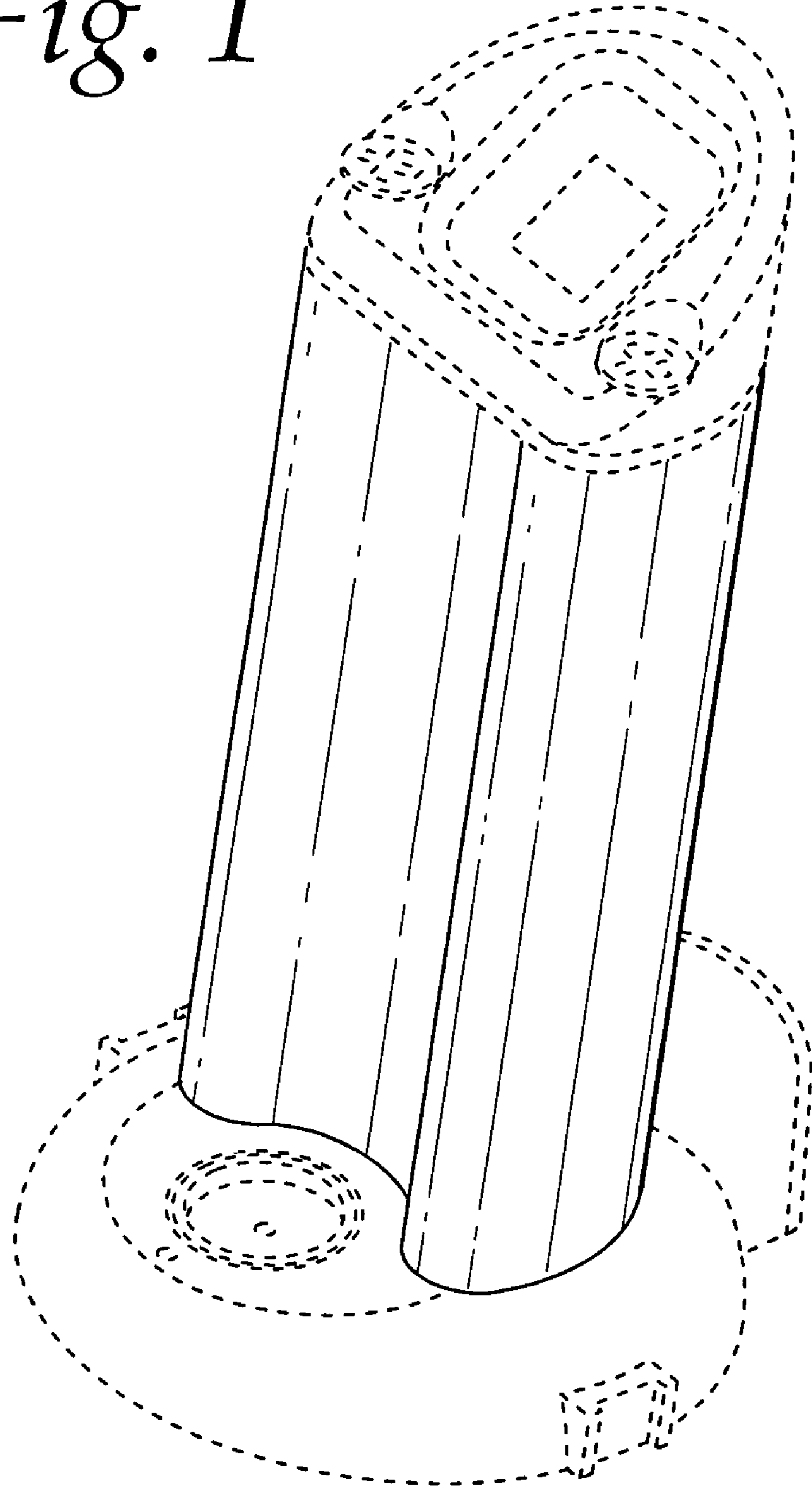


Fig. 2

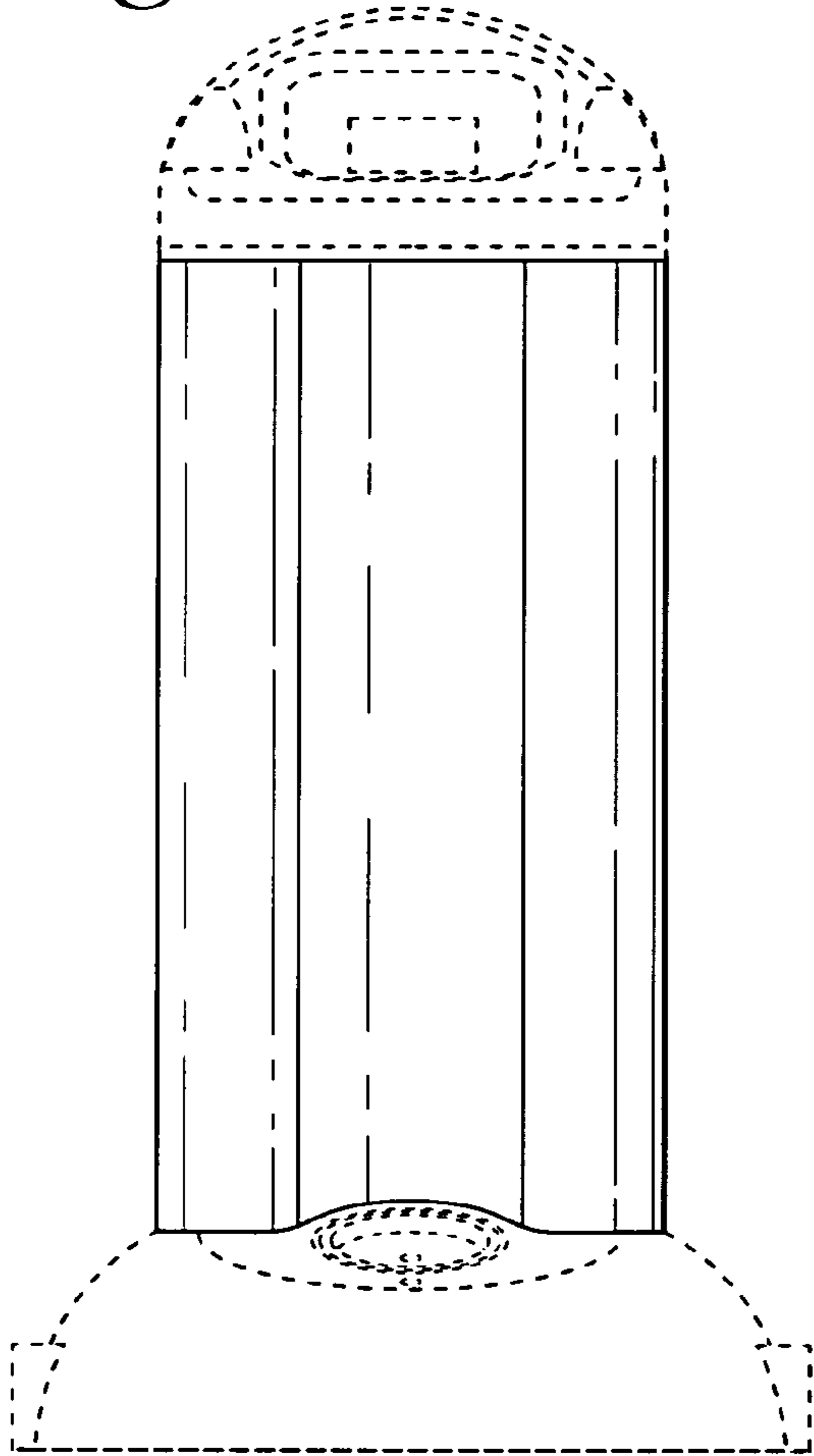


Fig. 3

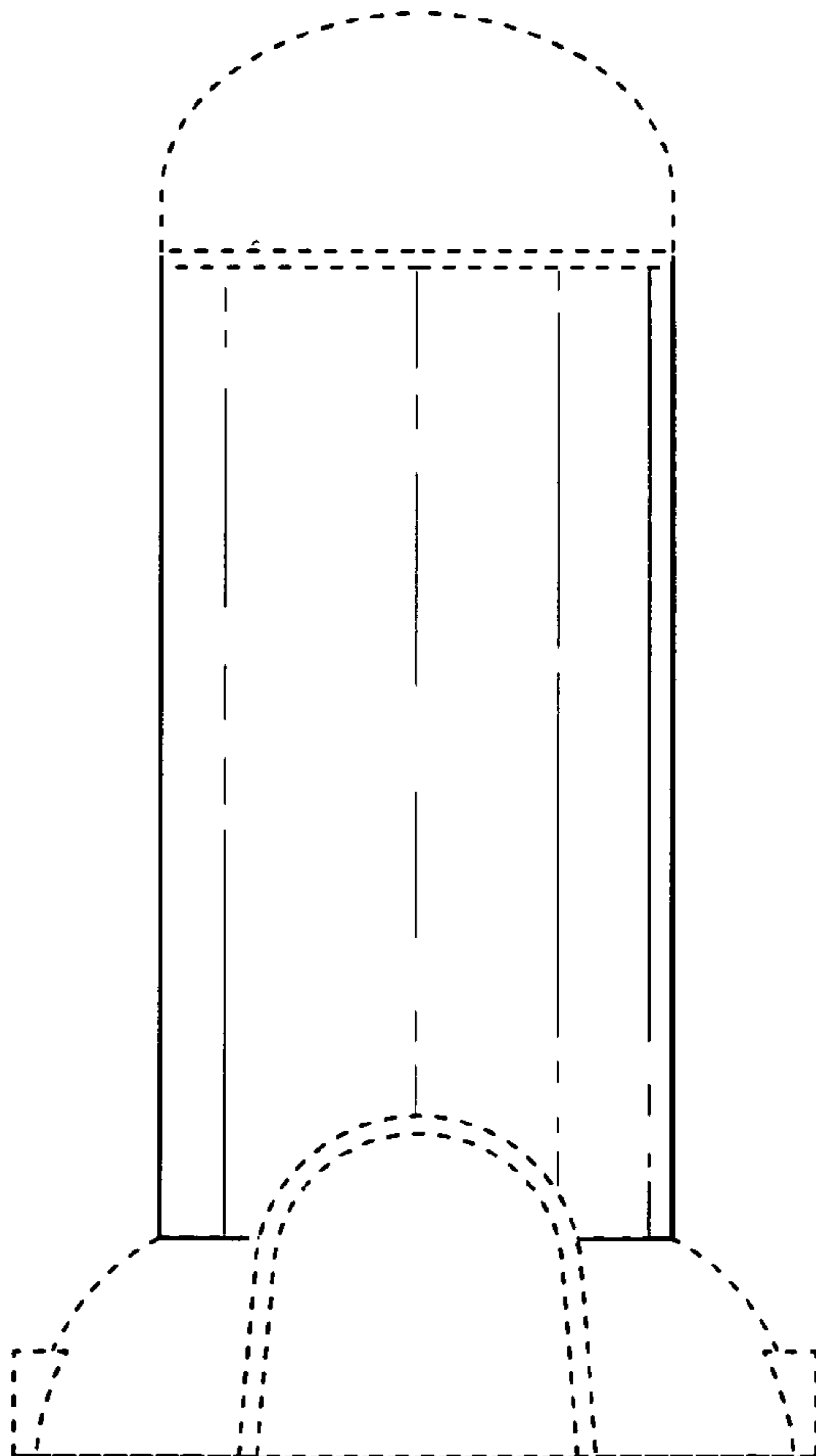


Fig. 4

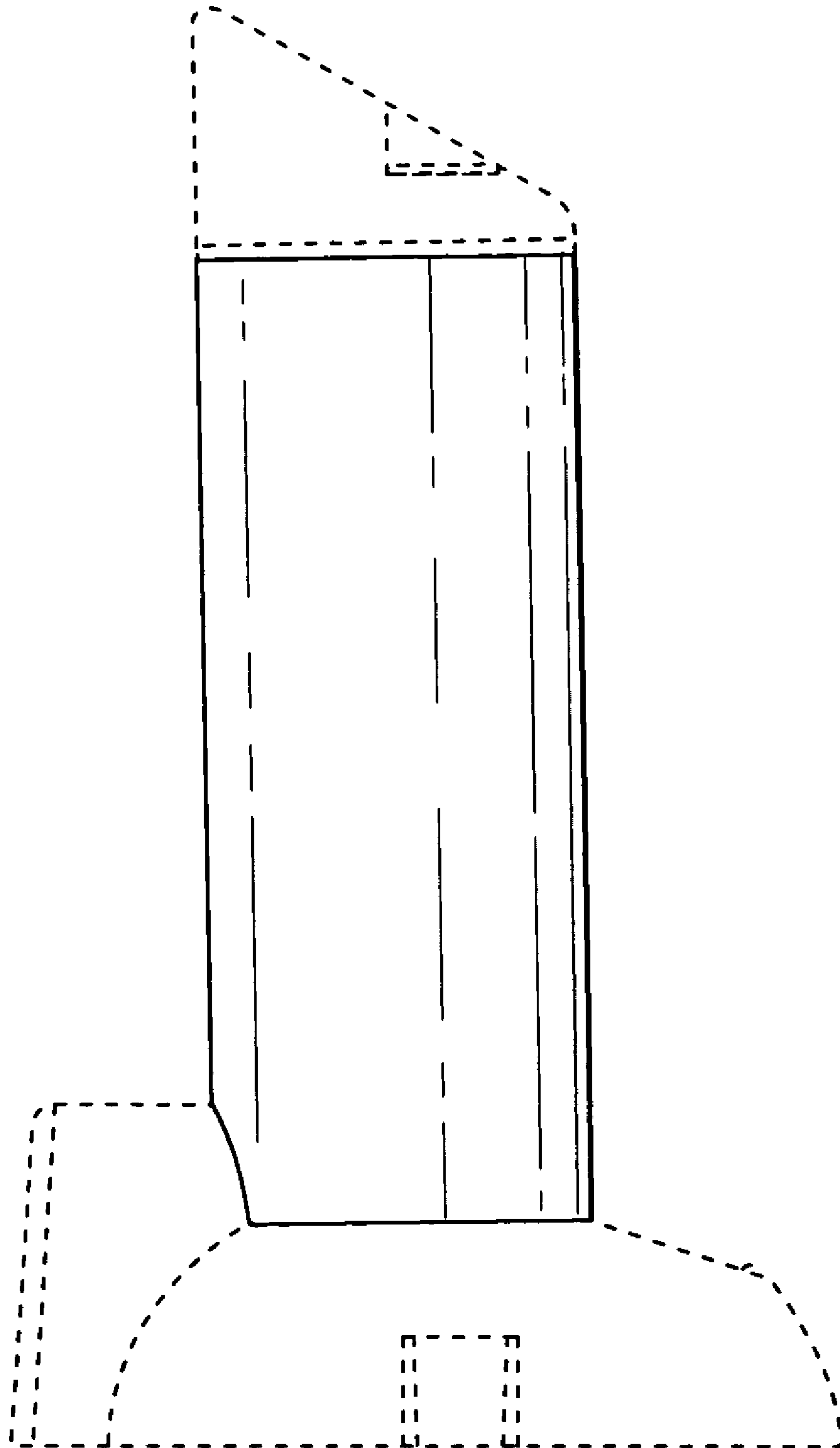


Fig. 5

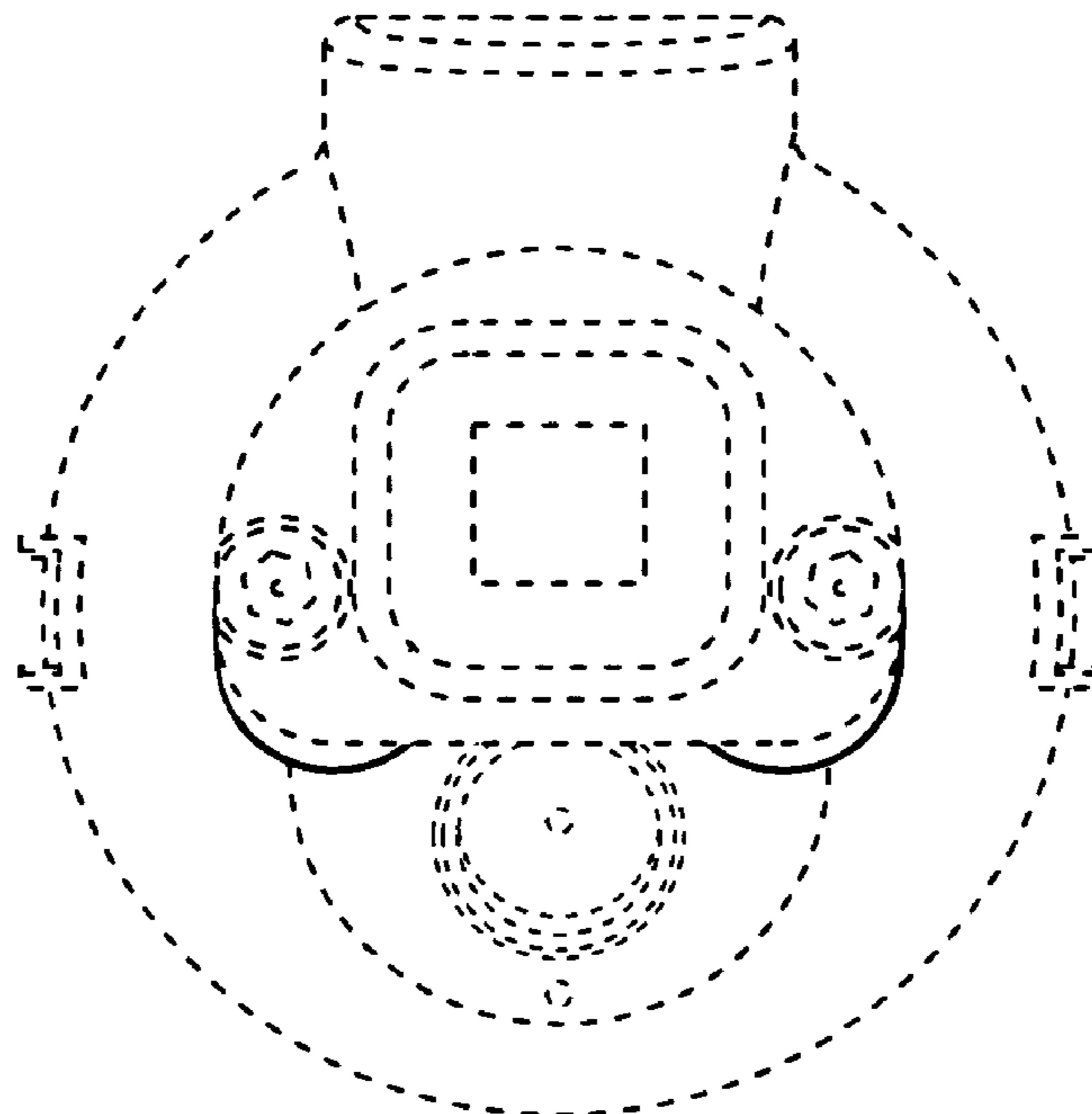


Fig. 6

