



US00D594250S

(12) **United States Design Patent**
Hirosawa

(10) **Patent No.:** **US D594,250 S**
(45) **Date of Patent:** **** Jun. 16, 2009**

(54) **HELMET STAND**

(75) Inventor: **Reiko Hirosawa**, Ushiku (JP)

(73) Assignee: **Shoei Co., Ltd.**, Tokyo (JP)

(**) Term: **14 Years**

(21) Appl. No.: **29/286,439**

(22) Filed: **May 4, 2007**

(30) **Foreign Application Priority Data**

Nov. 13, 2006 (JP) 2006-031084

(51) **LOC (9) Cl.** **06-04**

(52) **U.S. Cl.** **D6/449**

(58) **Field of Classification Search** D6/449,
D6/480, 466-469, 457, 436, 426, 425, 422;
D9/432, 455, 456; D2/892; 248/146, 176.1
See application file for complete search history.

(56) **References Cited**

U.S. PATENT DOCUMENTS

D390,046 S *	2/1998	Rheinish et al.	D6/449
6,053,340 A *	4/2000	Cameron	211/85.7
D507,737 S *	7/2005	Flanagan	D6/317
D518,971 S *	4/2006	McCoy et al.	D6/388
D531,847 S *	11/2006	Lesniak	D6/597
D540,068 S *	4/2007	Zhang	D6/475
7,273,153 B1 *	9/2007	Kuniyoshi	211/85.7
D581,699 S *	12/2008	Harrison	D6/449

FOREIGN PATENT DOCUMENTS

JP H7-30817 11/1993

* cited by examiner

Primary Examiner—Caron Veynar

Assistant Examiner—Abraham Bahta

(74) *Attorney, Agent, or Firm*—Smith Gambrell & Russell LLP

(57) **CLAIM**

The ornamental design for a helmet stand, as shown and described.

DESCRIPTION

FIG. 1 is a top plan view of a helmet stand showing my new design;

FIG. 2 is a front elevational view thereof;

FIG. 3 is a bottom plan view thereof;

FIG. 4 is a rear elevational view thereof;

FIG. 5 is a right side elevational view thereof;

FIG. 6 is a sectional view taken along line 6—6 of FIG. 1;

FIG. 7 is a sectional view taken along line 7—7 of FIG. 1;

FIG. 8 is a sectional view taken along line 8—8 of FIG. 1;

FIG. 9 is a sectional view taken along line 9—9 of FIG. 1;

FIG. 10 is a sectional view taken along line 10—10 of FIG. 1;

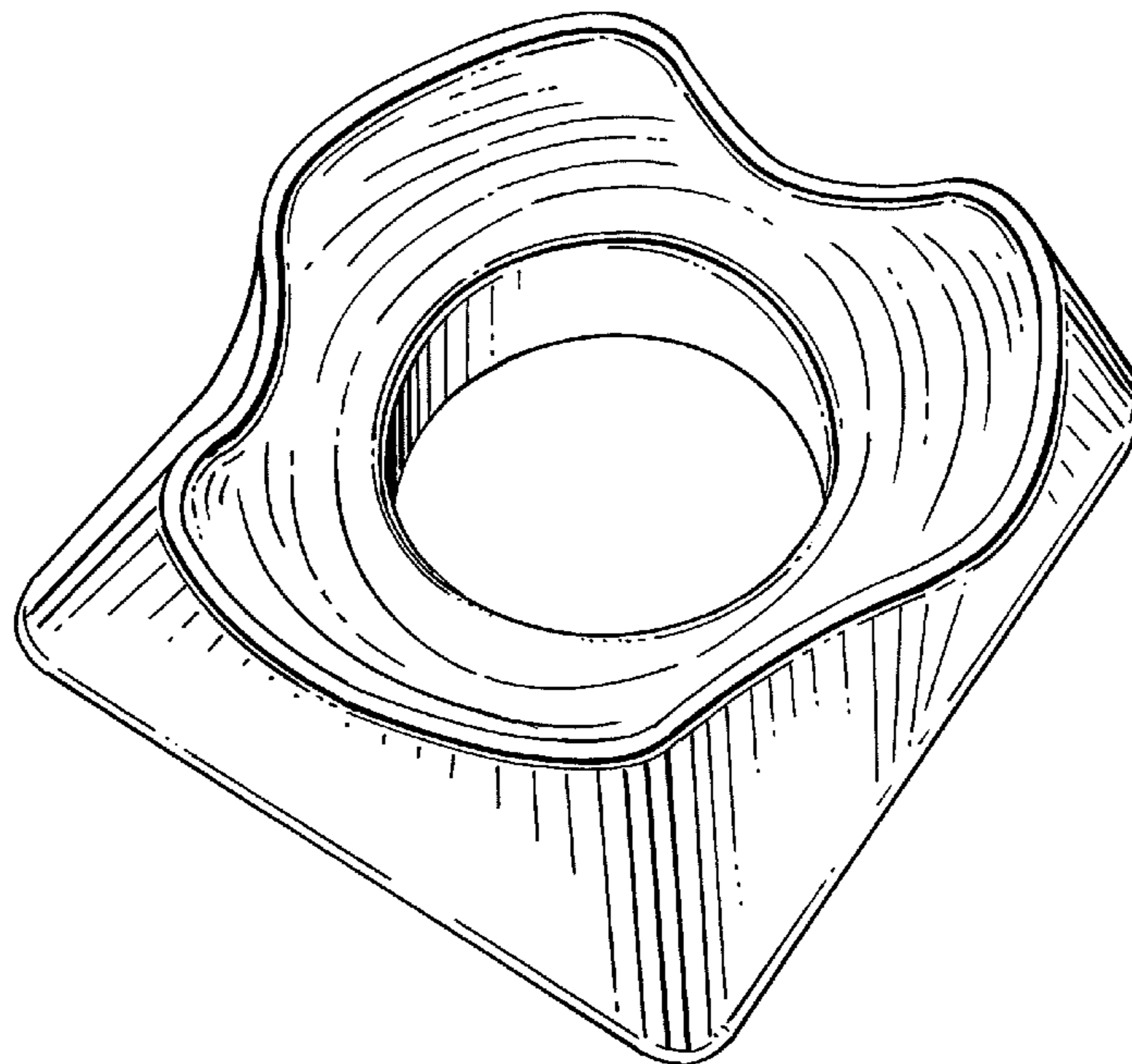
FIG. 11 is a sectional view taken along line 11—11 of FIG. 1;

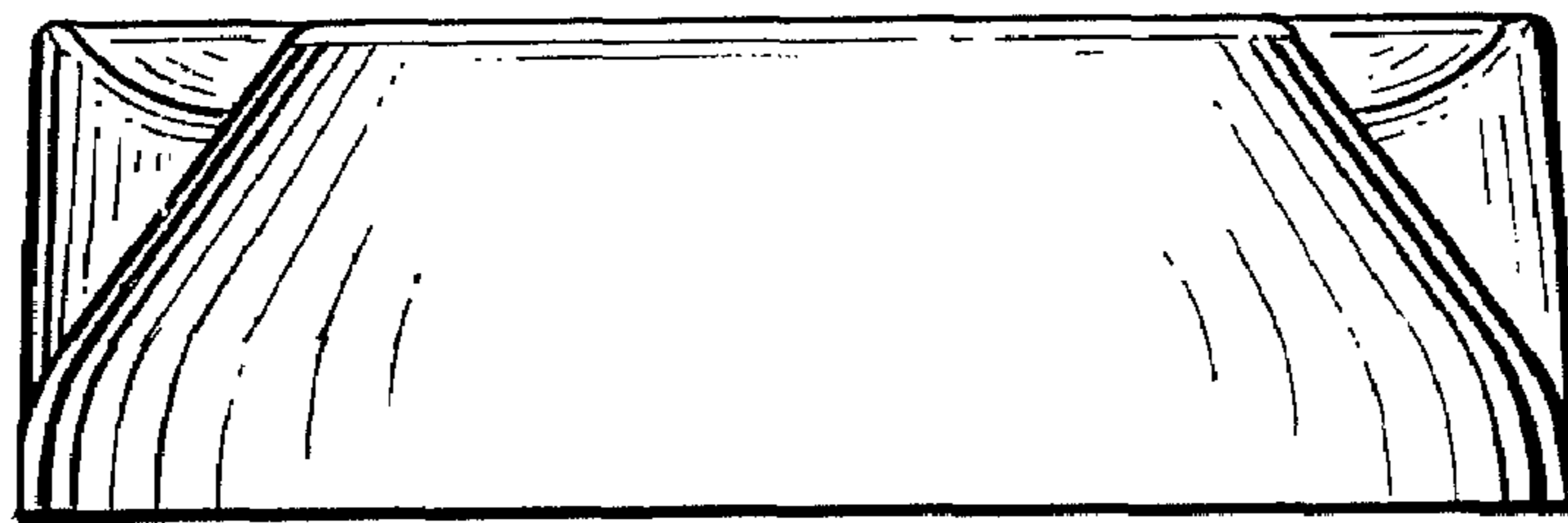
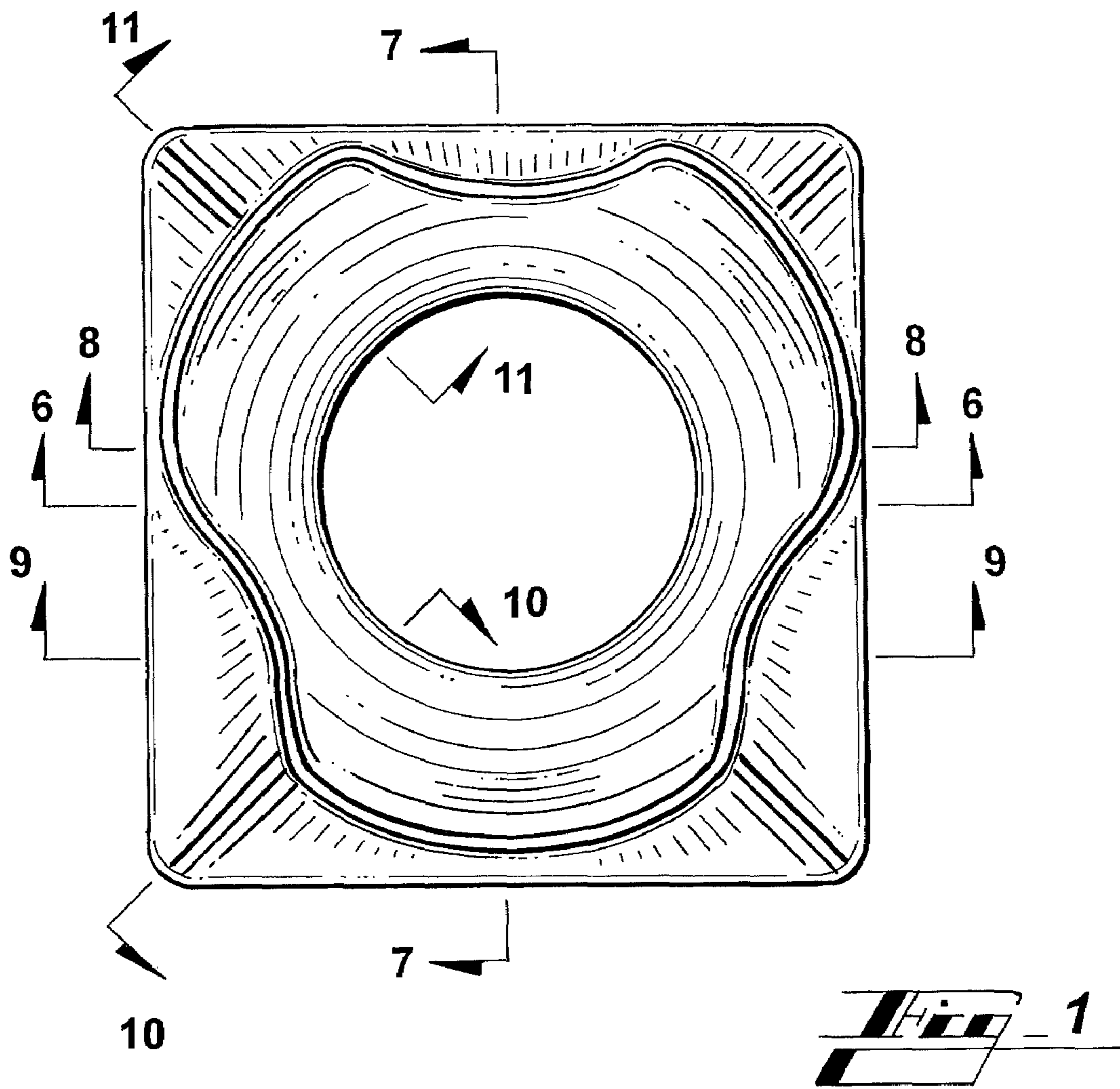
FIG. 12 is a perspective view of the helmet stand; and,

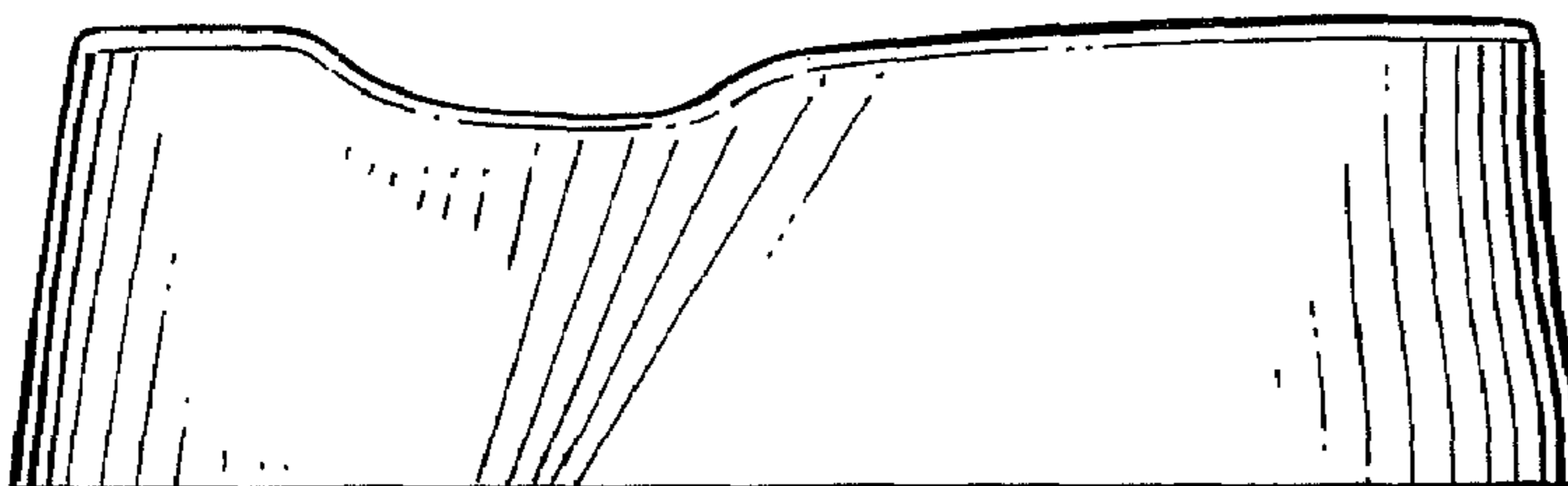
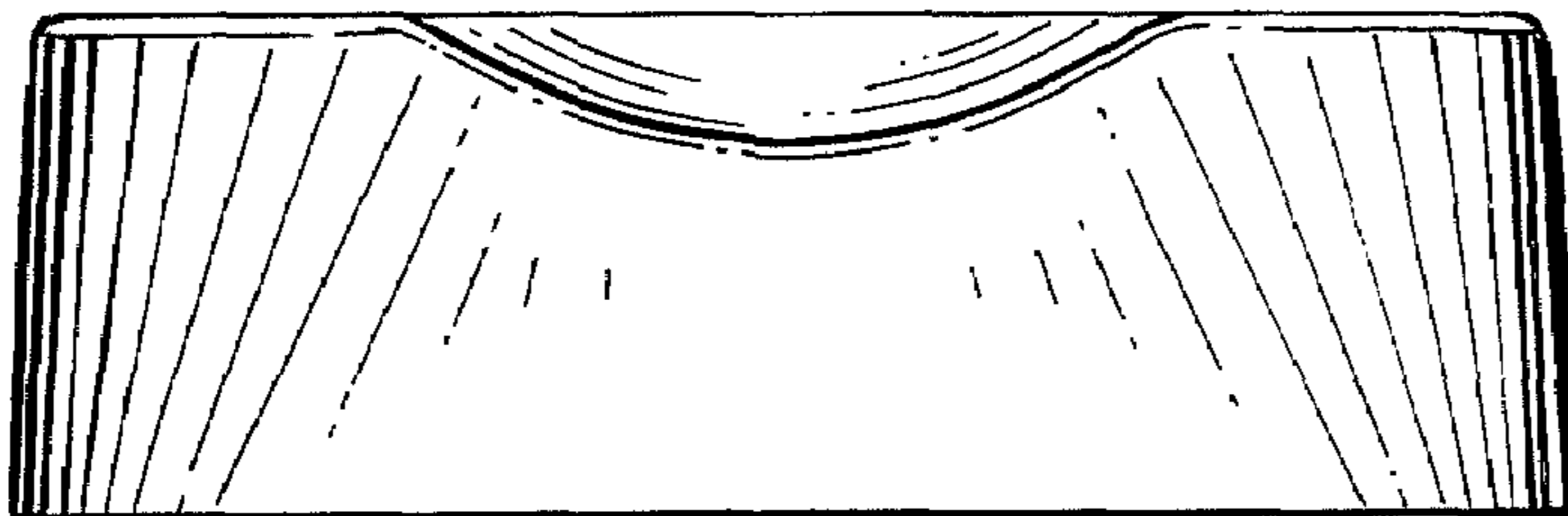
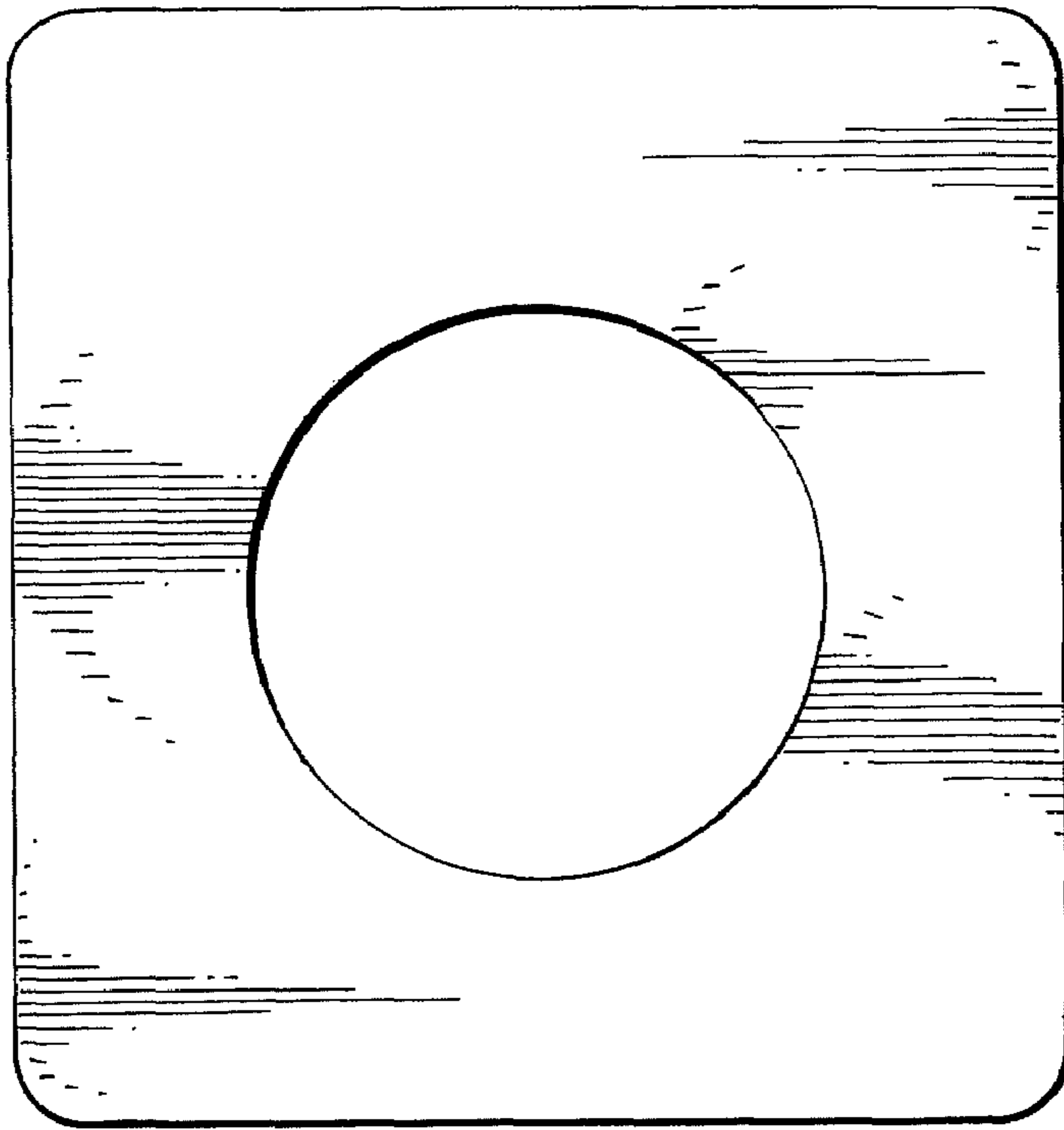
FIG. 13 is a perspective view thereof showing a state of being used.

A left side elevational view of the helmet stand is shown symmetrically with the right side elevational view shown in FIG. 5 and therefore the left side elevational view is omitted. The broken lines shown in FIG. 13 are for illustrative purposes only and form no part of the claimed design.

1 Claim, 5 Drawing Sheets







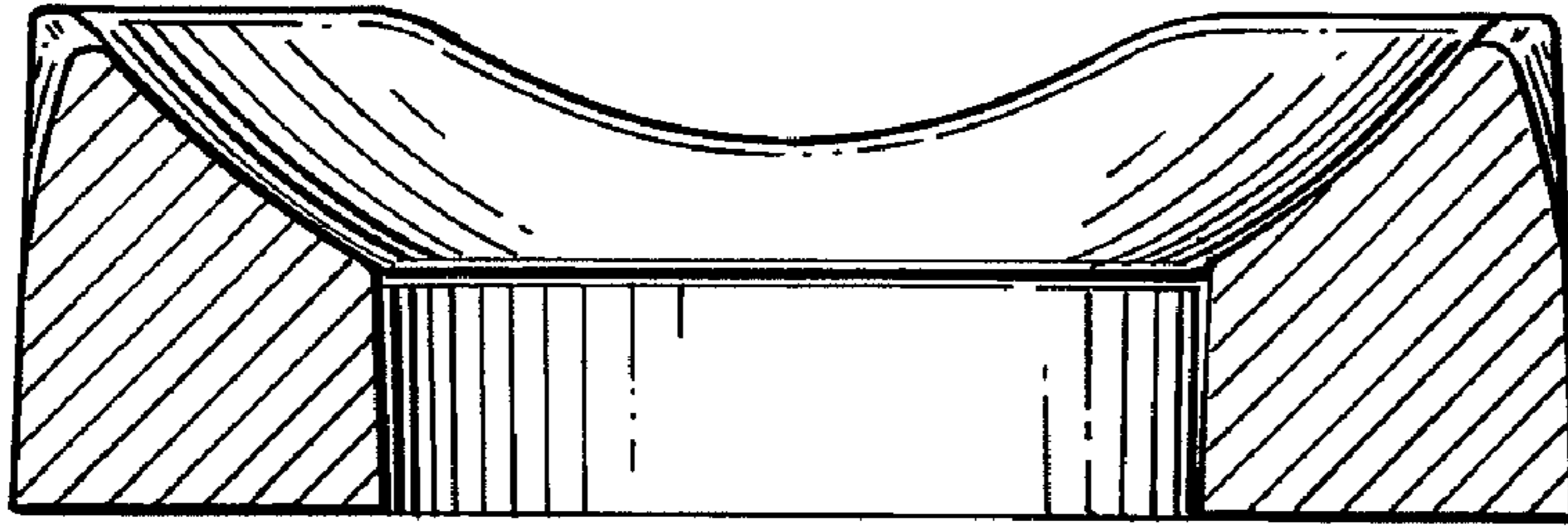


Fig. 6

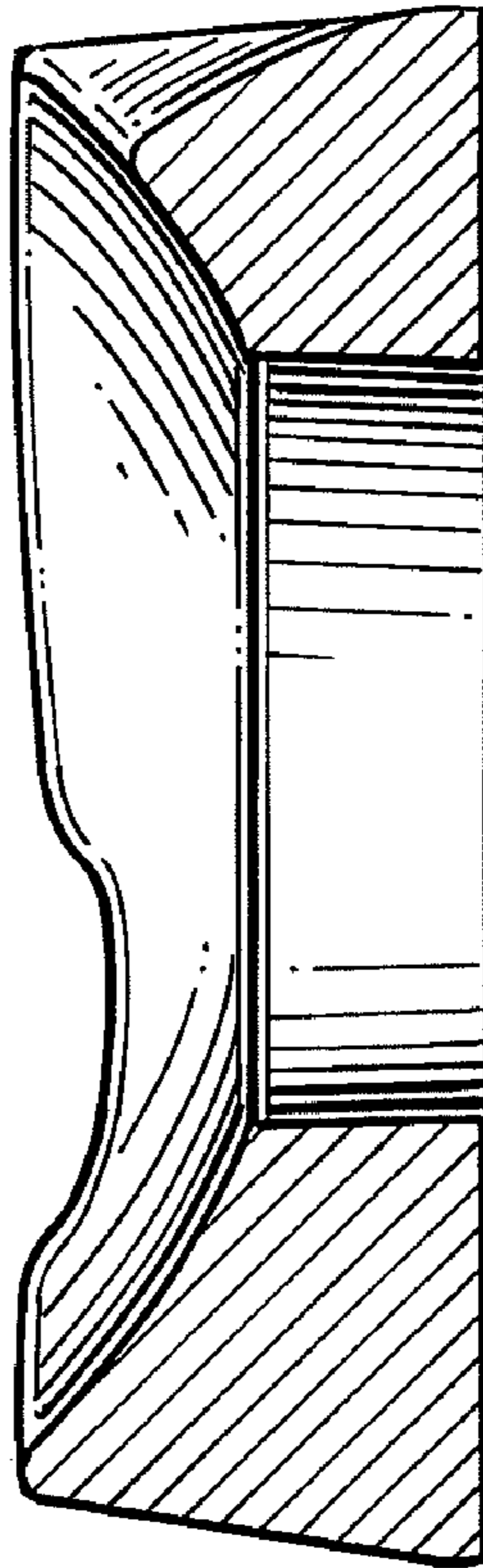
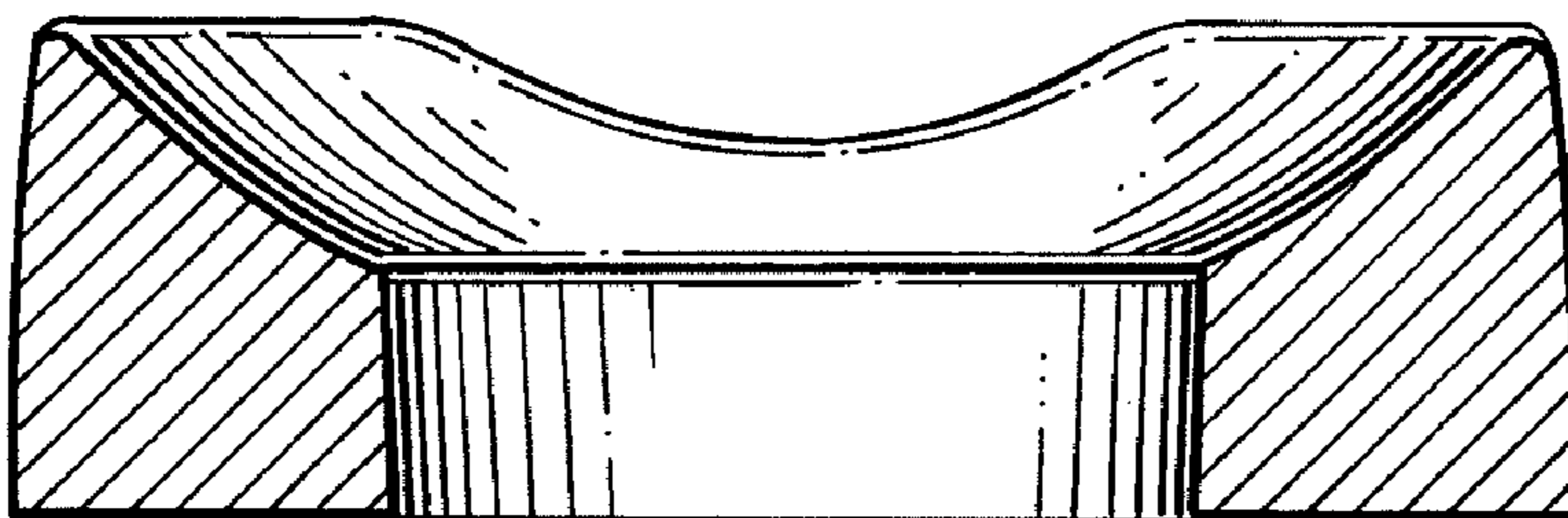
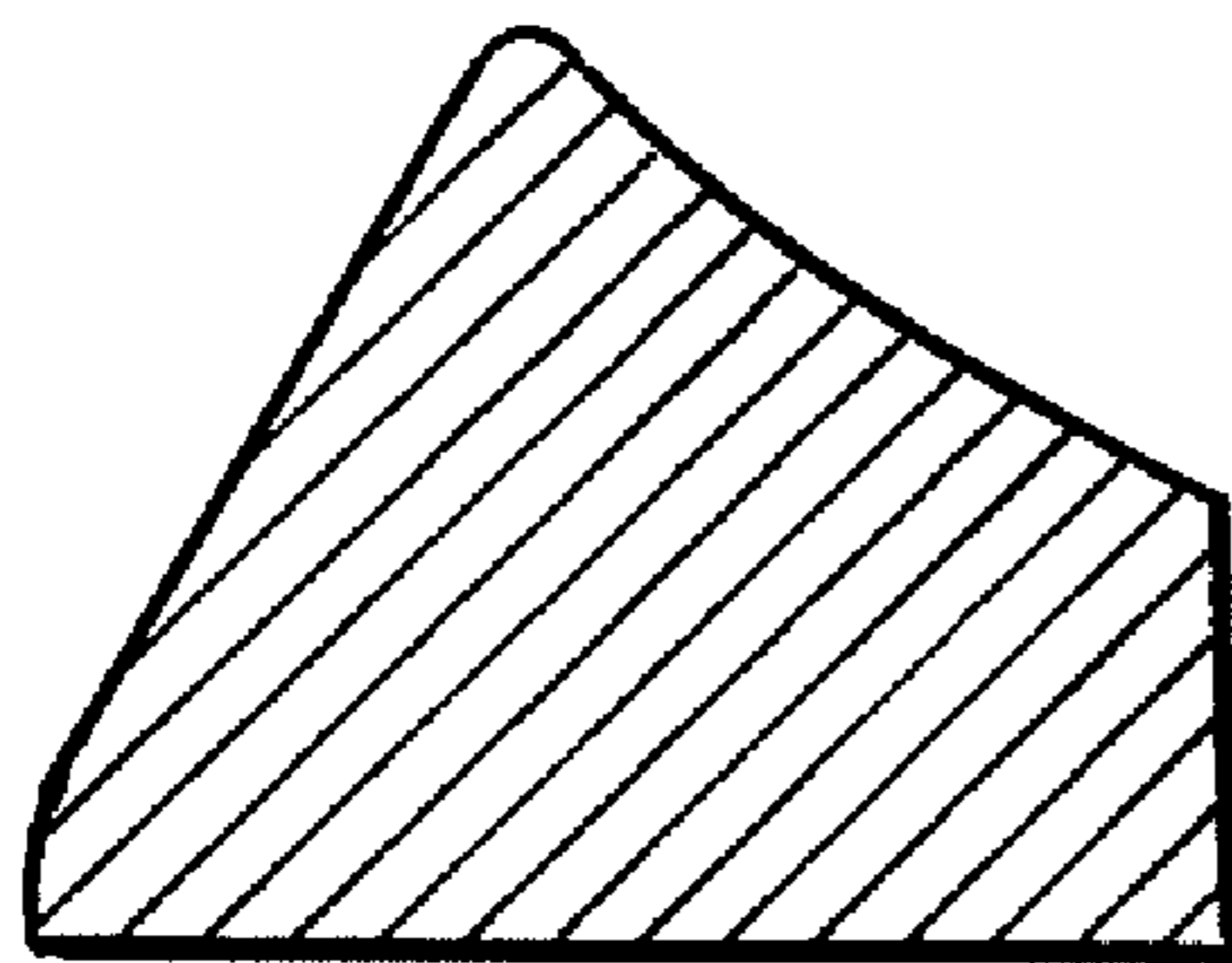
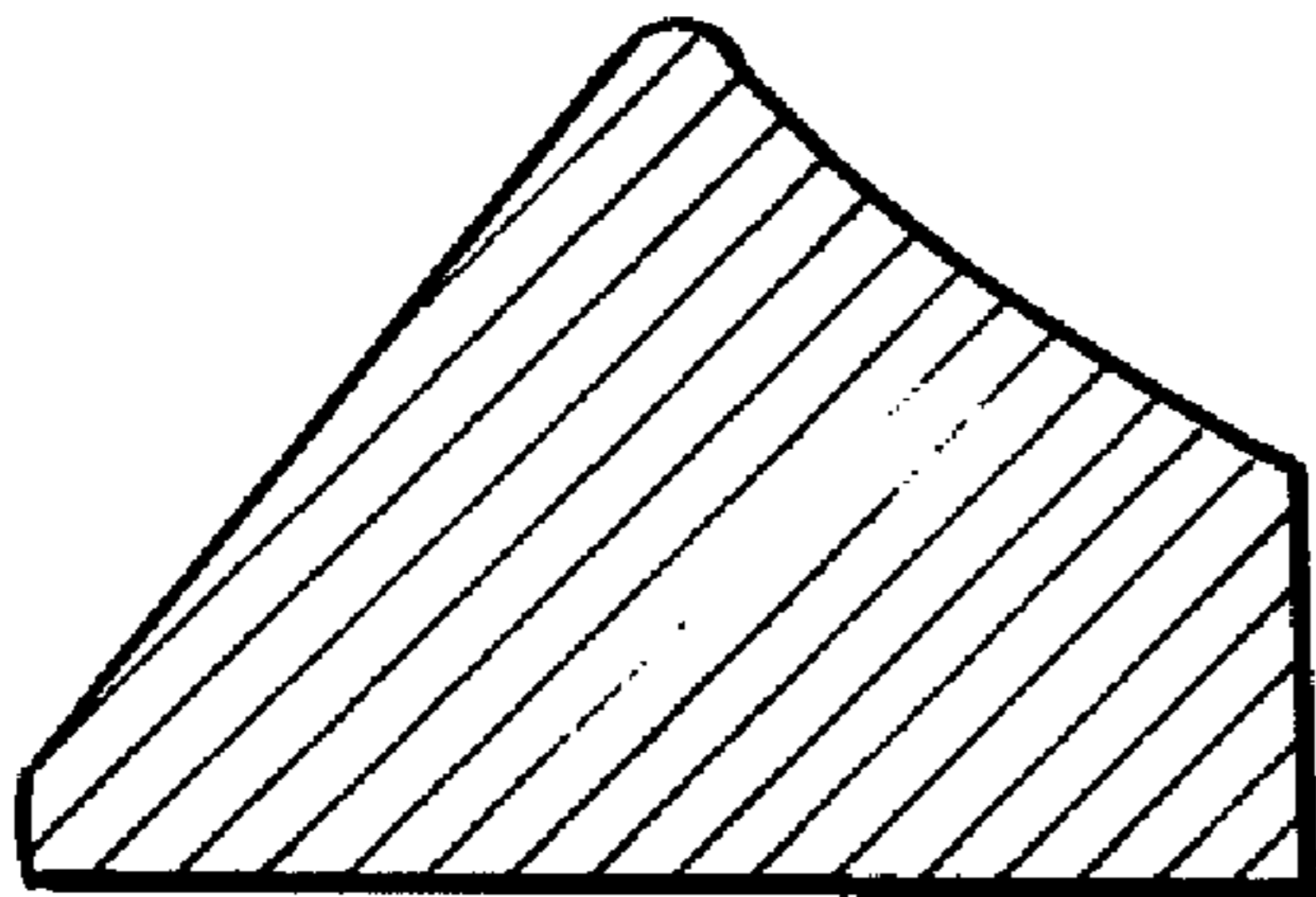
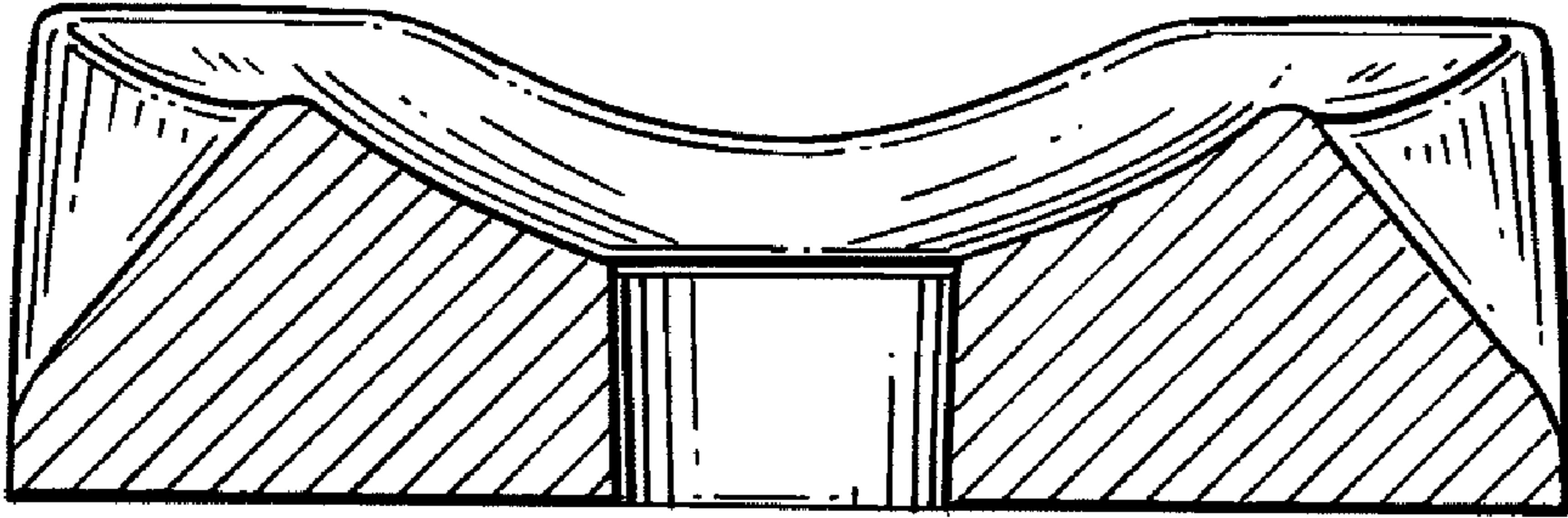


Fig. 7

Fig. 8





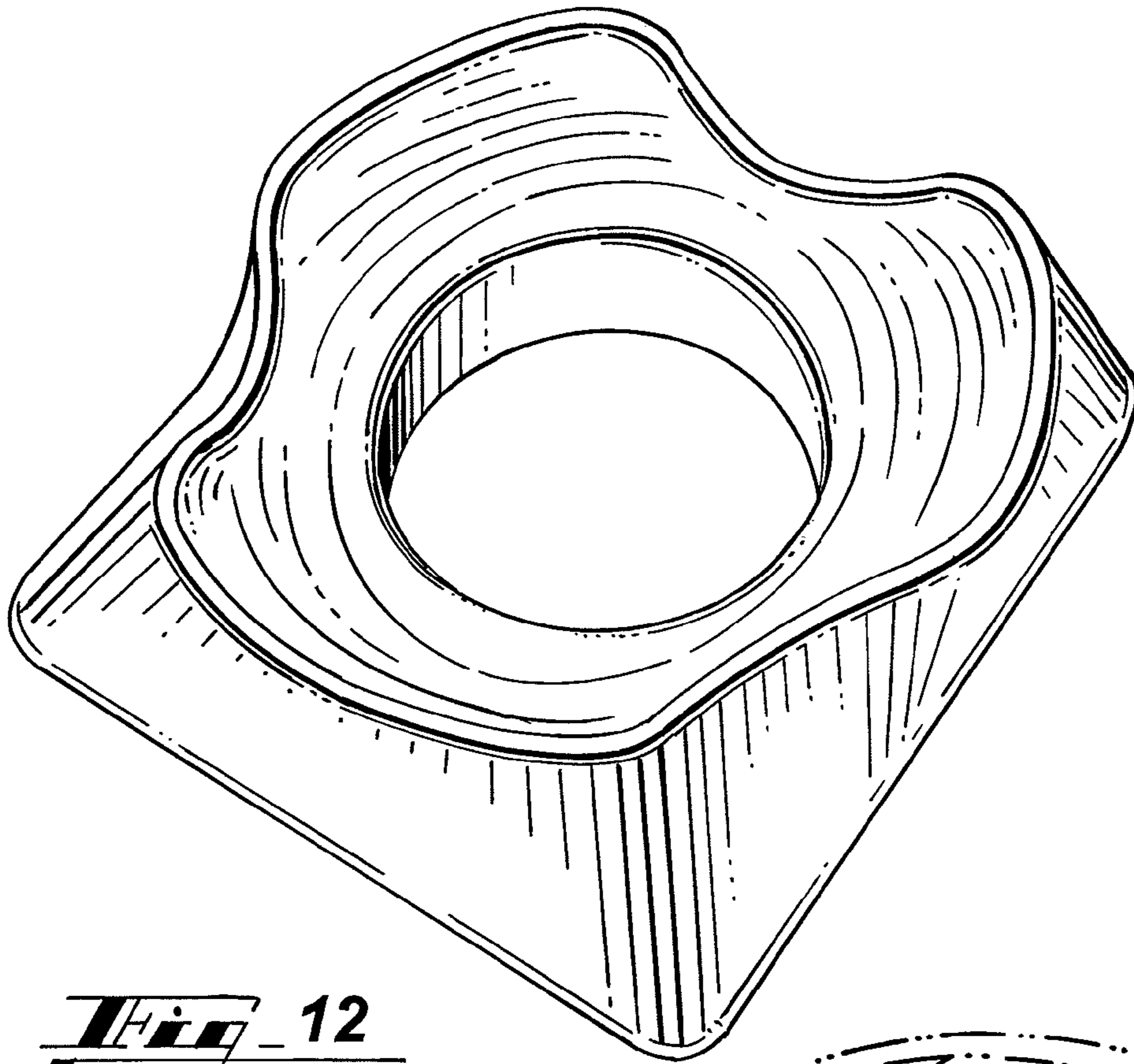


Fig. 12

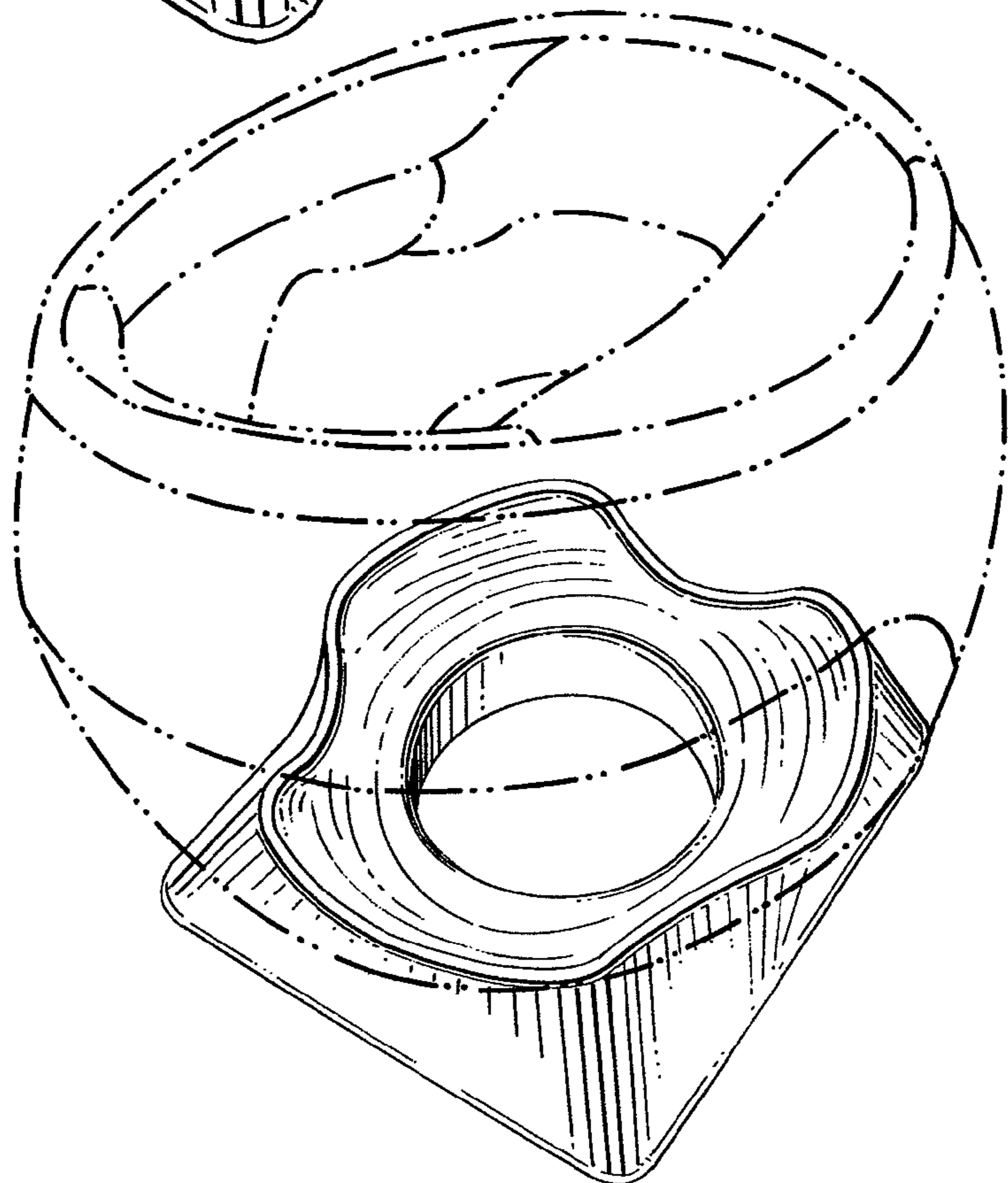


Fig. 13