



US00D594246S

(12) **United States Design Patent**
Chang

(10) **Patent No.:** **US D594,246 S**

(45) **Date of Patent:** **** Jun. 16, 2009**

(54) **COMPUTER TABLE**

D500,214 S * 12/2004 Chang D6/426
D509,678 S * 9/2005 Chang D6/426

(76) Inventor: **Chien-Kuo Chang**, 10-2 No. 447, 3 Sec.
Wen-Hsin Rd., Taichung City (TW) 406

* cited by examiner

(**) Term: **14 Years**

Primary Examiner—Janice E Seeger

(21) Appl. No.: **29/280,231**

(57) **CLAIM**

(22) Filed: **May 22, 2007**

The ornamental design for a computer table, as shown and described.

(51) **LOC (9) Cl.** **06-03**

(52) **U.S. Cl.** **D6/426**

(58) **Field of Classification Search** D6/422-428,
D6/397, 480, 421; 312/194-196, 238; 108/50.01,
108/50.02

See application file for complete search history.

DESCRIPTION

FIG. 1 is a perspective view of a computer table showing our new design thereof;

FIG. 2 is a front elevational view thereof;

FIG. 3 is a rear elevational view thereof;

FIG. 4 is a left side elevational view thereof;

FIG. 5 is a right side elevational view thereof;

FIG. 6 is a top plan view thereof; and,

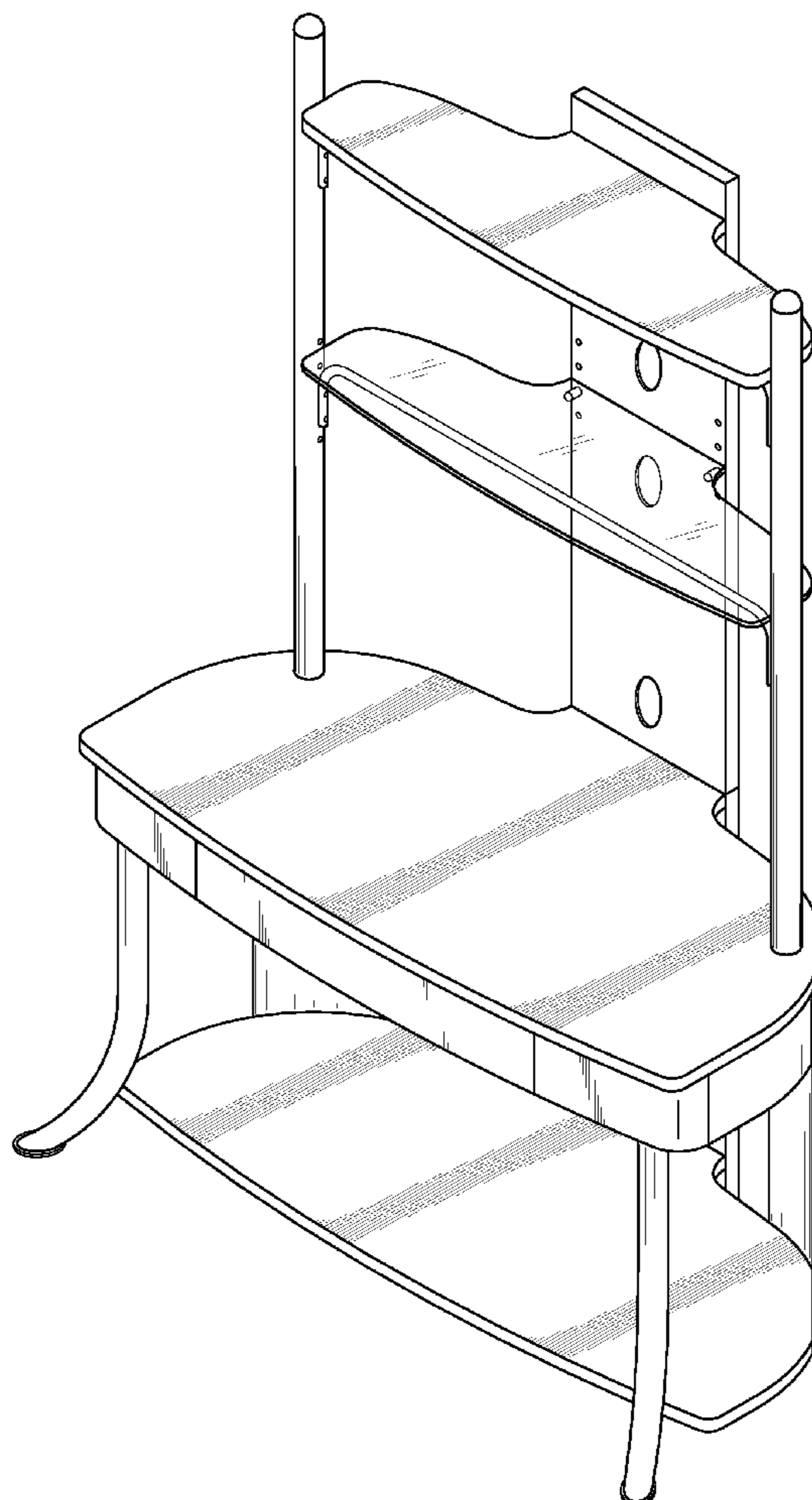
FIG. 7 is a bottom plan view thereof.

(56) **References Cited**

U.S. PATENT DOCUMENTS

D456,633 S * 5/2002 Chang D6/426
D463,922 S * 10/2002 Chang D6/426
D474,043 S * 5/2003 Chang D6/426
D474,921 S * 5/2003 Chen D6/426
D486,977 S * 2/2004 Chang D6/426

1 Claim, 6 Drawing Sheets



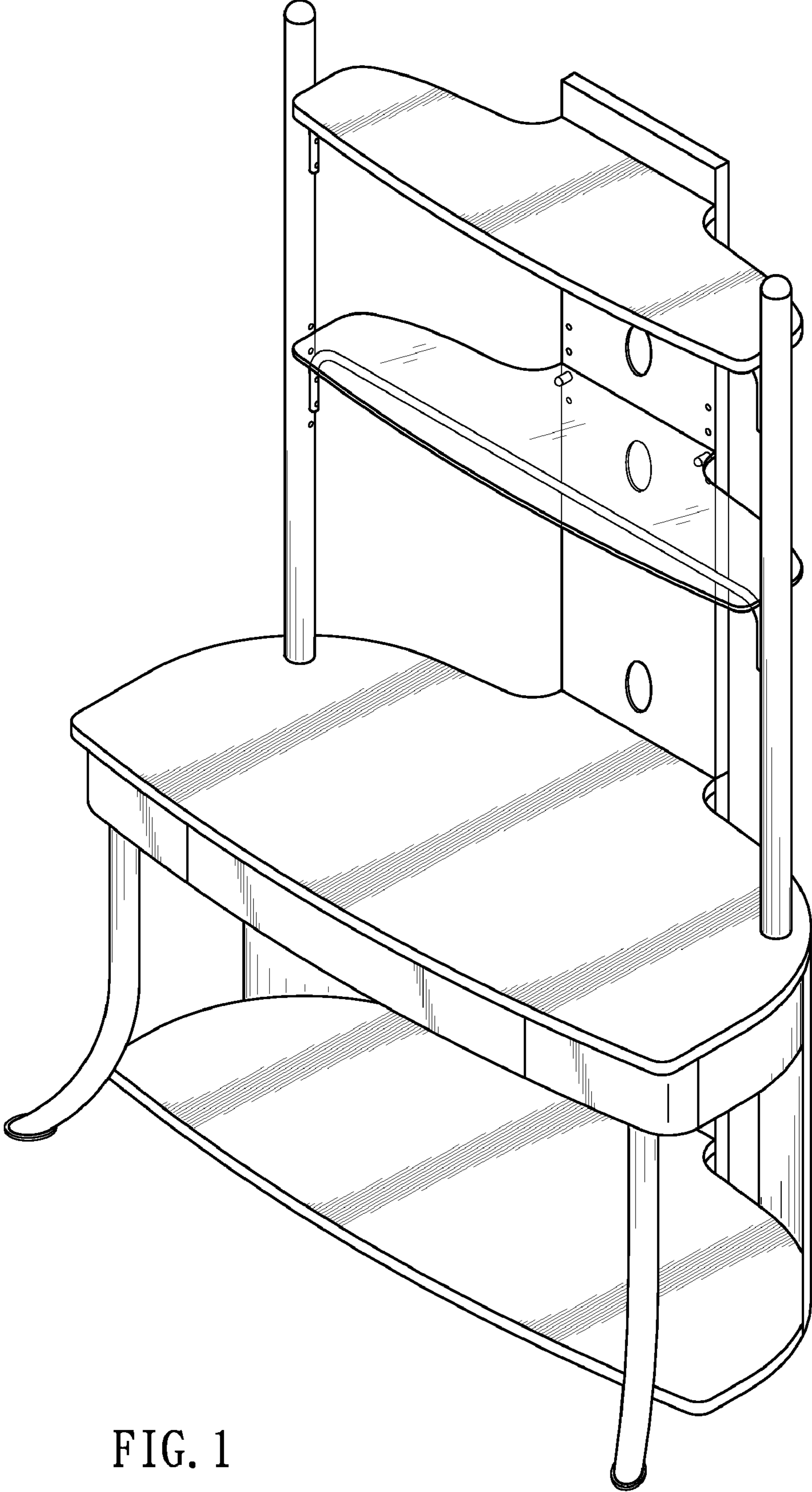


FIG. 1

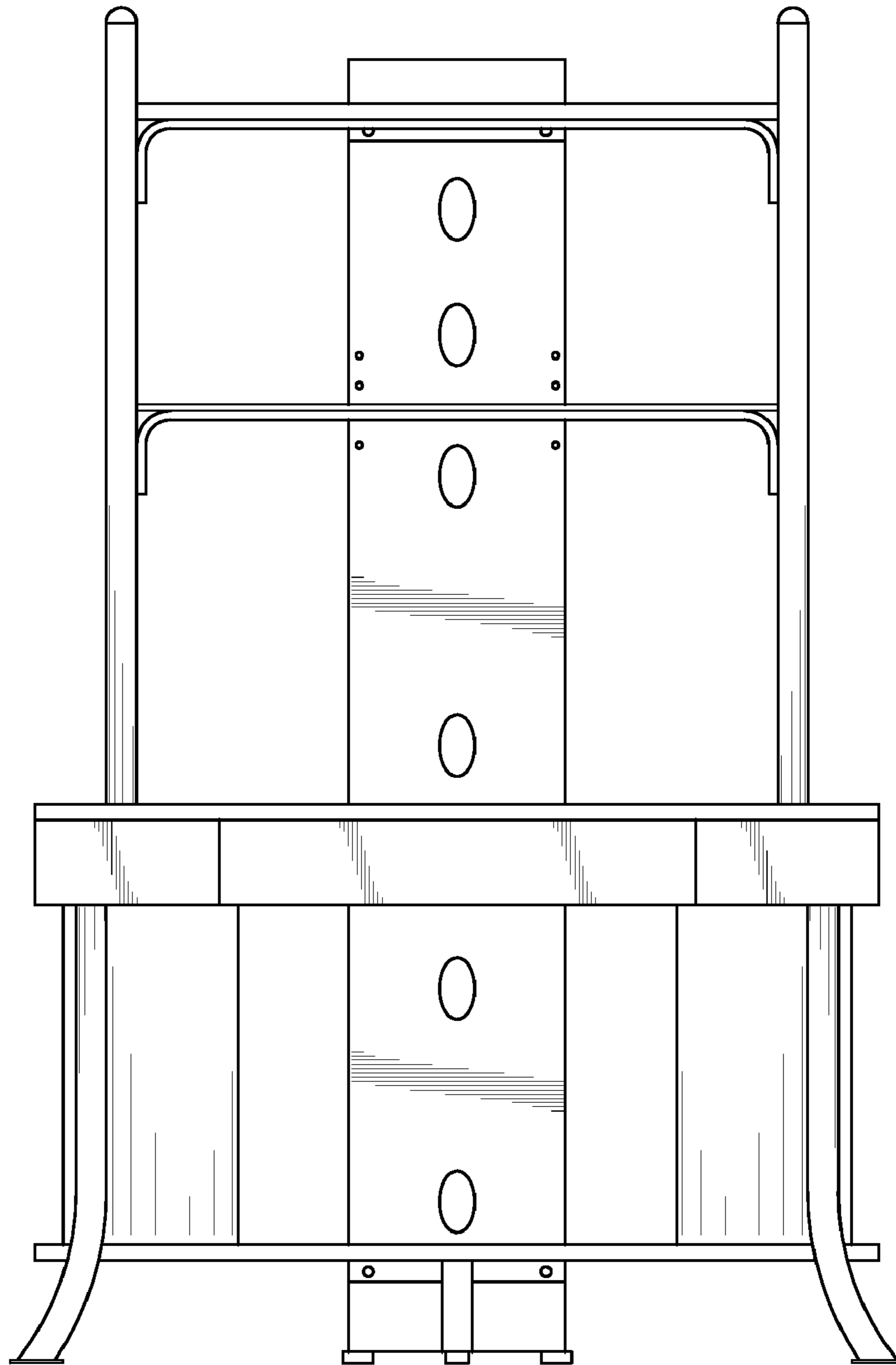


FIG. 2

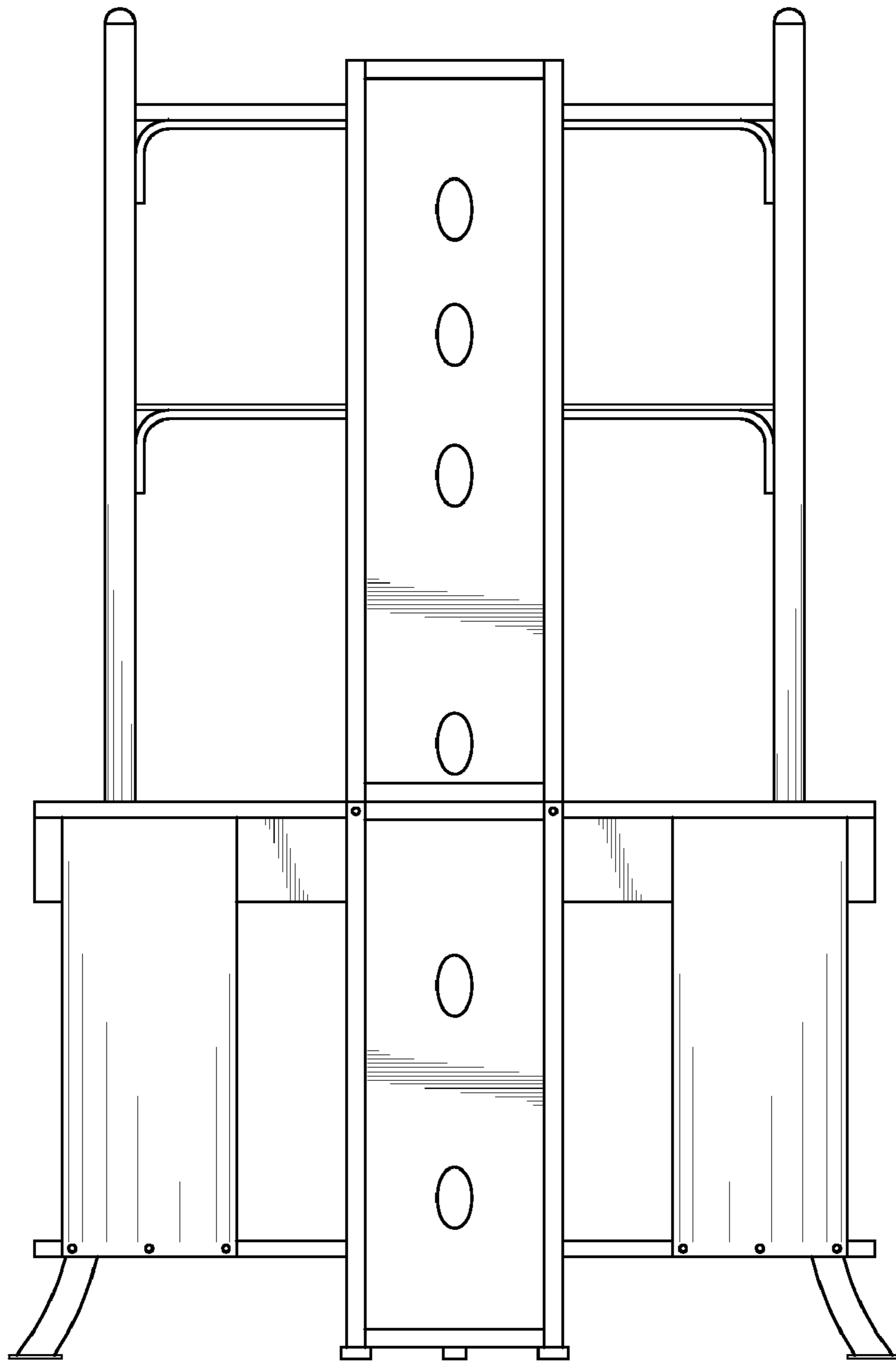


FIG. 3

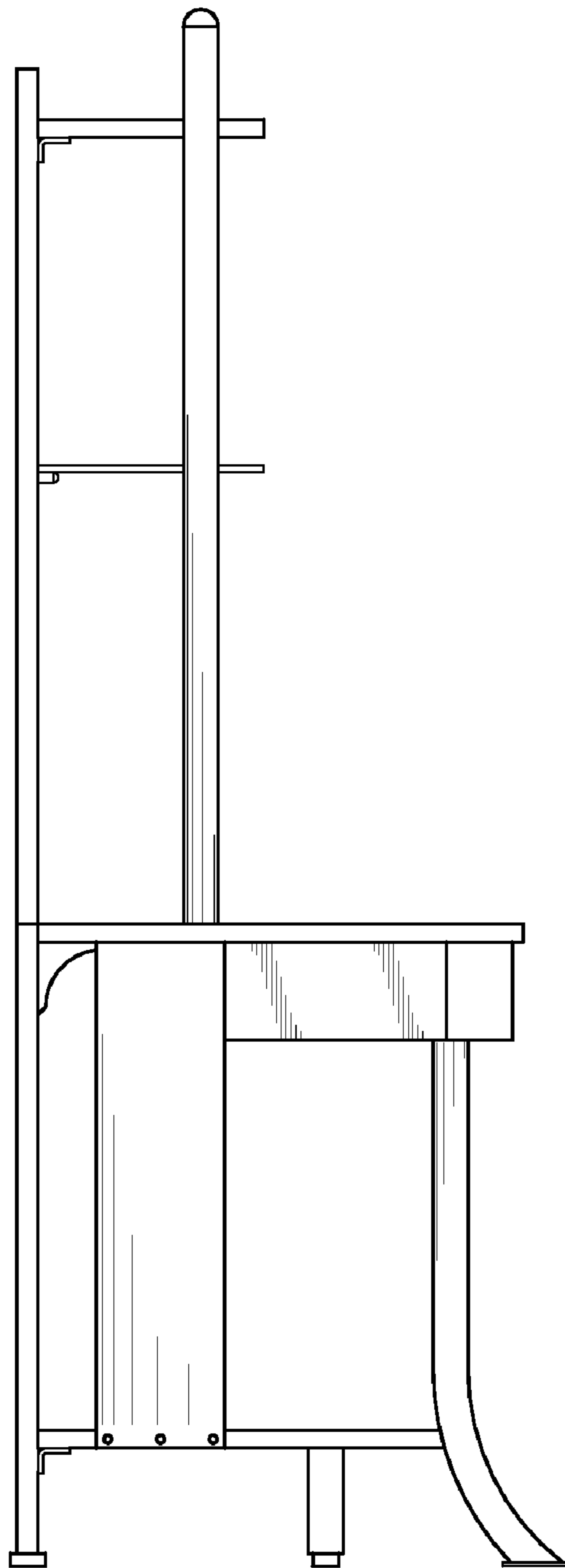


FIG. 4

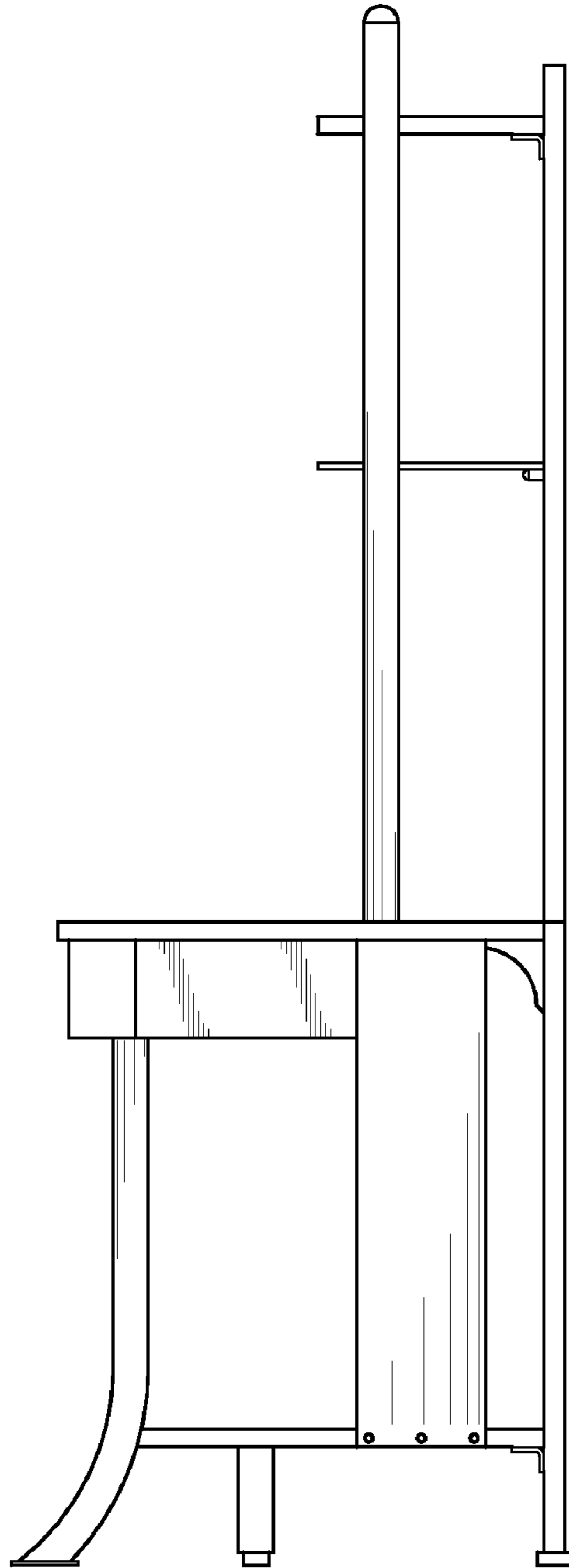


FIG. 5

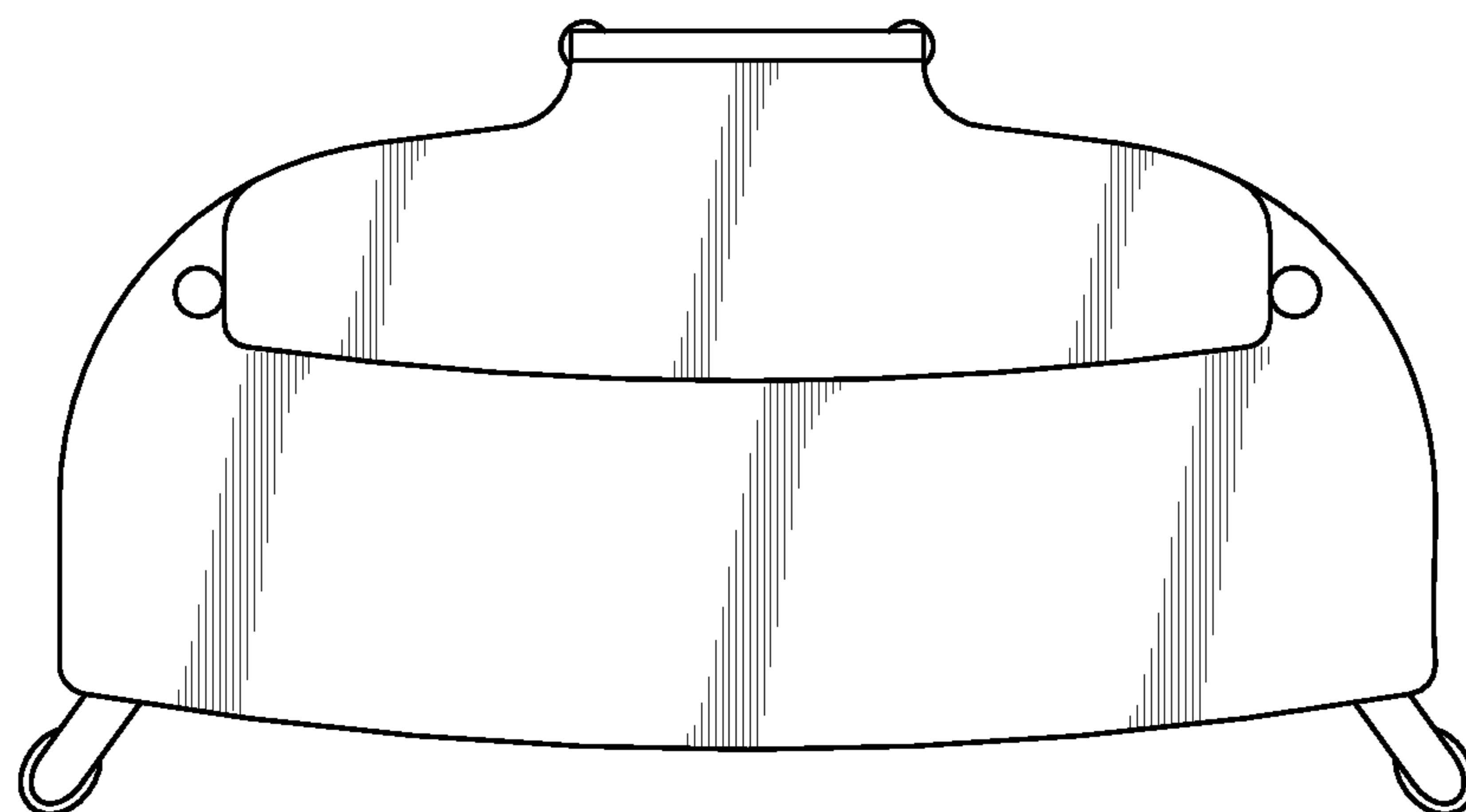


FIG. 6

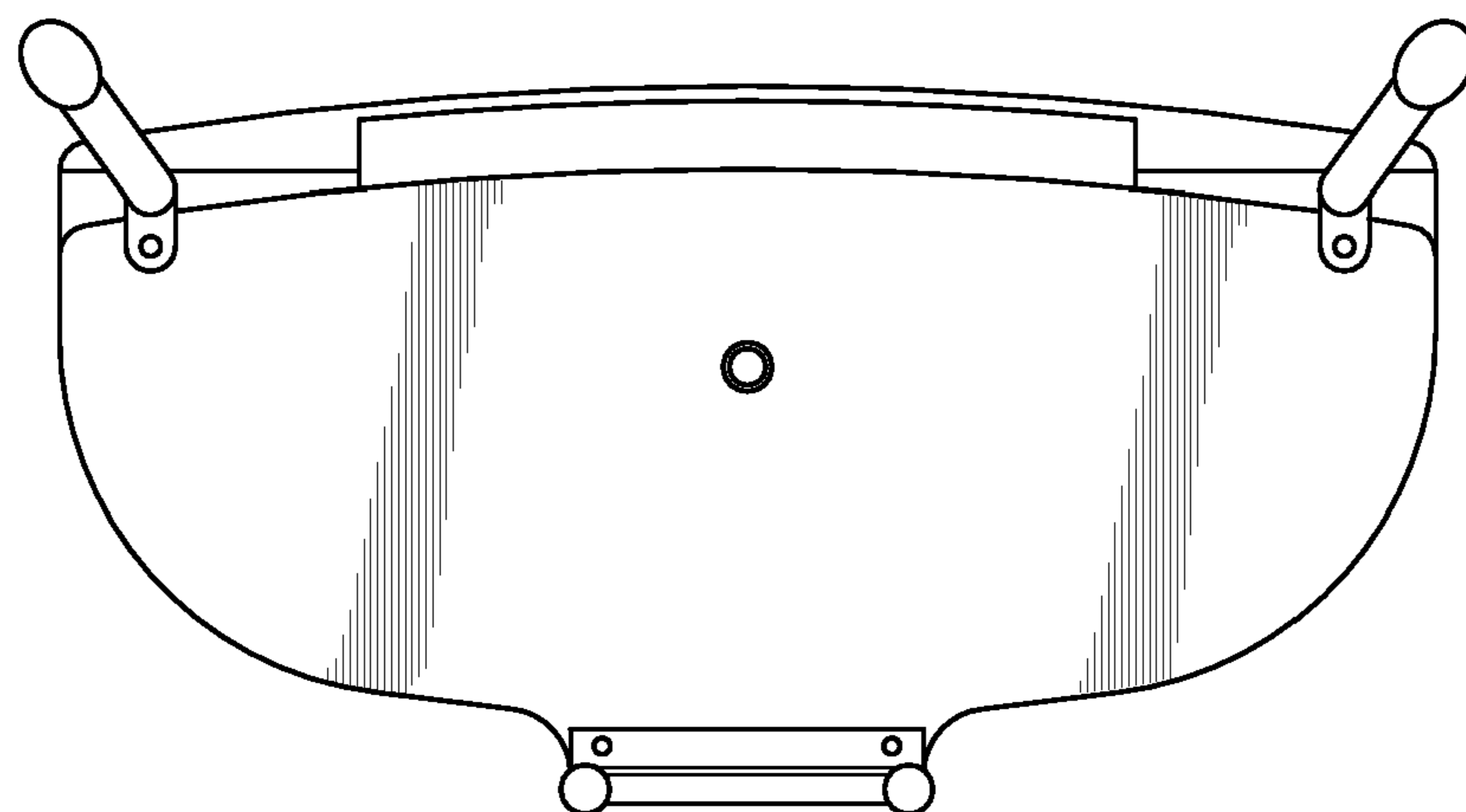


FIG. 7