



US00D594244S

(12) **United States Design Patent**  
**Williams**

(10) **Patent No.:** **US D594,244 S**  
(45) **Date of Patent:** **\*\* Jun. 16, 2009**

- (54) **SEAT**
- (75) Inventor: **David P. G. Williams**, Darien, CT (US)
- (73) Assignee: **Albany Industries, Inc.**, New Albany, MS (US)
- (\*\*) Term: **14 Years**
- (21) Appl. No.: **29/313,978**
- (22) Filed: **Feb. 23, 2009**
- (51) **LOC (9) Cl.** ..... **06-01**
- (52) **U.S. Cl.** ..... **D6/381; D6/334**
- (58) **Field of Classification Search** ..... D6/334, D6/335, 349, 353, 368, 371, 377, 381, 382, D6/383, 500-503; 297/16.1, 16.2, 34, 42, 297/44, 63, 232, 233, 350, 351, 353, 354.1, 297/445.1, 448.1, 448.2; 5/12.1, 12.2  
See application file for complete search history.

(56) **References Cited**

**U.S. PATENT DOCUMENTS**

D372,369 S	8/1996	Natuzzi	.....	D6/381
D376,265 S	* 12/1996	Lewis et al.	.....	D6/334
D379,272 S	5/1997	Natuzzi	.....	D6/381
D380,093 S	* 6/1997	Lewis et al.	.....	D6/334
D381,819 S	* 8/1997	Lewis et al.	.....	D6/334
D382,131 S	8/1997	Natuzzi	.....	D6/381
D387,213 S	12/1997	Natuzzi	.....	D6/381
D387,575 S	12/1997	Natuzzi	.....	D6/381
D388,259 S	12/1997	Natuzzi	.....	D6/381
D391,093 S	2/1998	Natuzzi	.....	D6/381
D393,957 S	5/1998	Natuzzi	.....	D6/381
D394,359 S	5/1998	Natuzzi	.....	D6/381
D410,344 S	* 6/1999	Lewis et al.	.....	D6/381
D411,053 S	* 6/1999	Lewis et al.	.....	D6/334
D411,773 S	7/1999	Zaidman	.....	D6/381
D414,347 S	* 9/1999	Lewis et al.	.....	D6/334
D418,312 S	* 1/2000	Zaidman	.....	D6/334
D420,820 S	* 2/2000	Lewis et al.	.....	D6/360
D431,386 S	10/2000	Natuzzi	.....	D6/381
D437,126 S	* 2/2001	Denton	.....	D6/334
D439,759 S	4/2001	Natuzzi	.....	D6/381

D470,673 S	2/2003	Natuzzi	.....	D6/381
D474,903 S	* 5/2003	Lewis et al.	.....	D6/335
D476,496 S	7/2003	Nicoletti	.....	D6/381
D478,224 S	8/2003	Natuzzi	.....	D6/381
D482,889 S	12/2003	Natuzzi	.....	D6/381
D493,630 S	8/2004	Nastri	.....	D6/381
D495,896 S	9/2004	Ricci	.....	D6/381
D512,242 S	12/2005	Ricci	.....	D6/381
D521,268 S	5/2006	Natuzzi	.....	D6/381
D525,803 S	* 8/2006	Peacock	.....	D6/381
D526,507 S	8/2006	Nicoletti	.....	D6/381
D528,320 S	9/2006	Nastri	.....	D6/381
D530,536 S	10/2006	Nastri	.....	D6/381
D541,546 S	5/2007	Natuzzi	.....	D6/381
D542,563 S	5/2007	Ricci	.....	D6/381
D543,046 S	5/2007	Ricci	.....	D6/381
D543,376 S	5/2007	Ricci	.....	D6/381
D543,378 S	5/2007	Ricci	.....	D6/381
D547,088 S	7/2007	Natuzzi	.....	D6/381
D547,091 S	7/2007	Natuzzi	.....	D6/381
D555,386 S	* 11/2007	Peacock	.....	D6/381
D555,387 S	11/2007	Peacock	.....	D6/381
D566,981 S	4/2008	Natuzzi	.....	D6/381
D567,528 S	4/2008	Natuzzi	.....	D6/381

\* cited by examiner

*Primary Examiner*—Sandra Snapp

(74) *Attorney, Agent, or Firm*—MacCord Mason PLLC

(57) **CLAIM**

The ornamental design for a seat, as shown and described.

**DESCRIPTION**

FIG. 1 is a perspective view of a first embodiment of a seat in the form of a sofa embodying my new design;

FIG. 2 is a front view of the embodiment of FIG. 1;

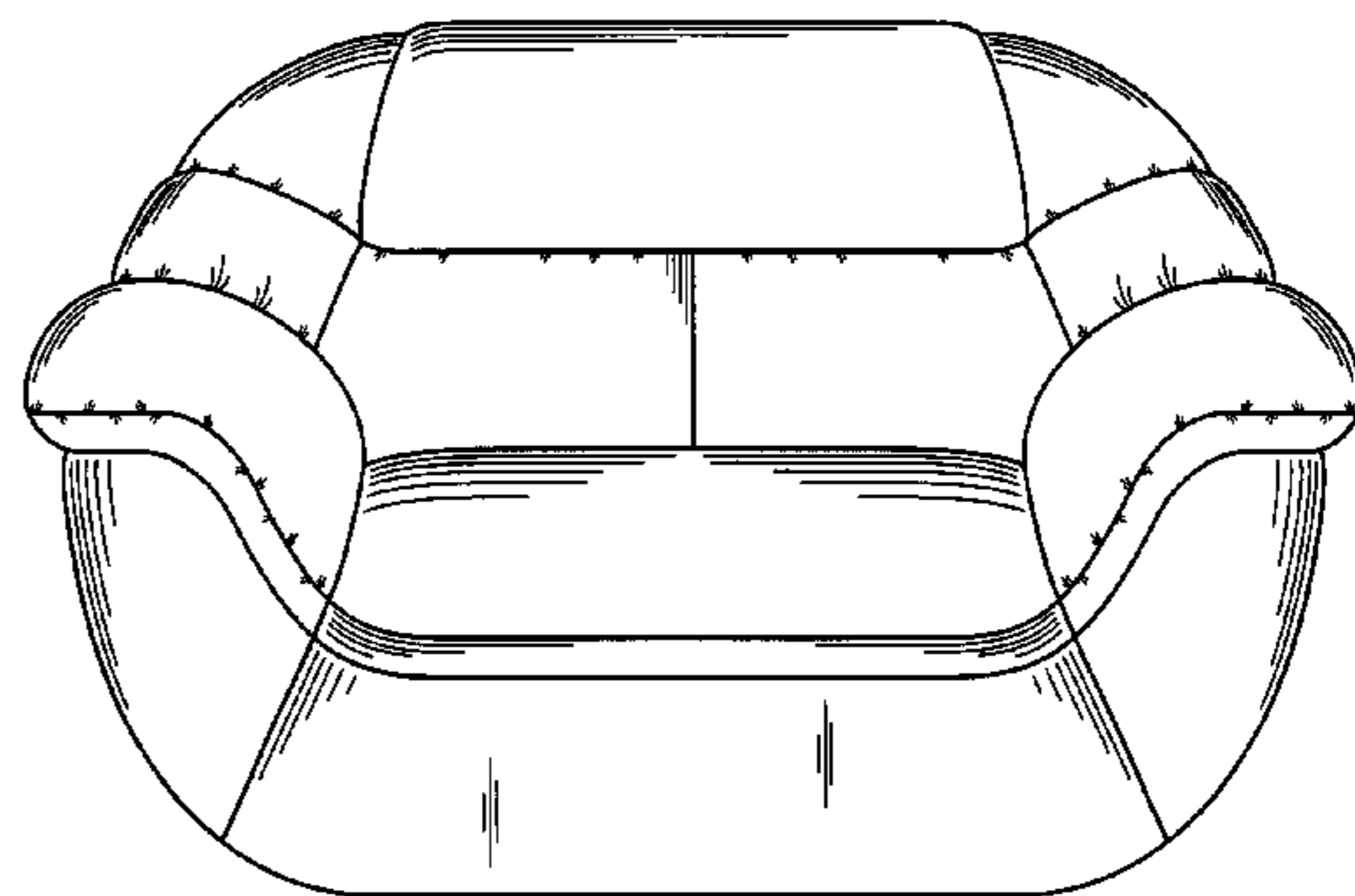
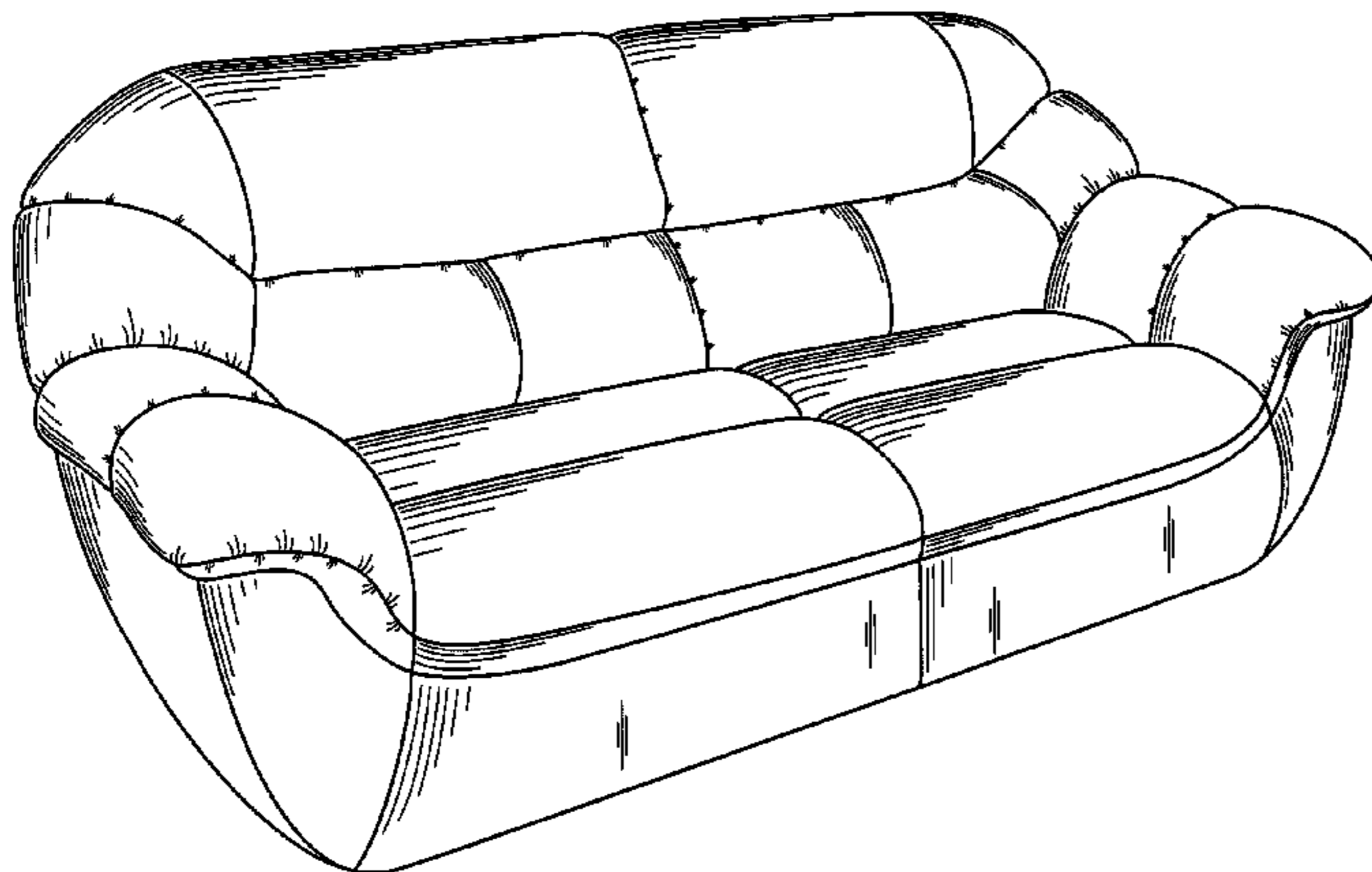
FIG. 3 is a front view of a second embodiment of a seat in the form of a loveseat;

FIG. 4 is a front view of a third embodiment of a seat in the form of a chair;

FIG. 5 is a side view of the seat; and,

FIG. 6 is a back view of the seat.

**1 Claim, 6 Drawing Sheets**



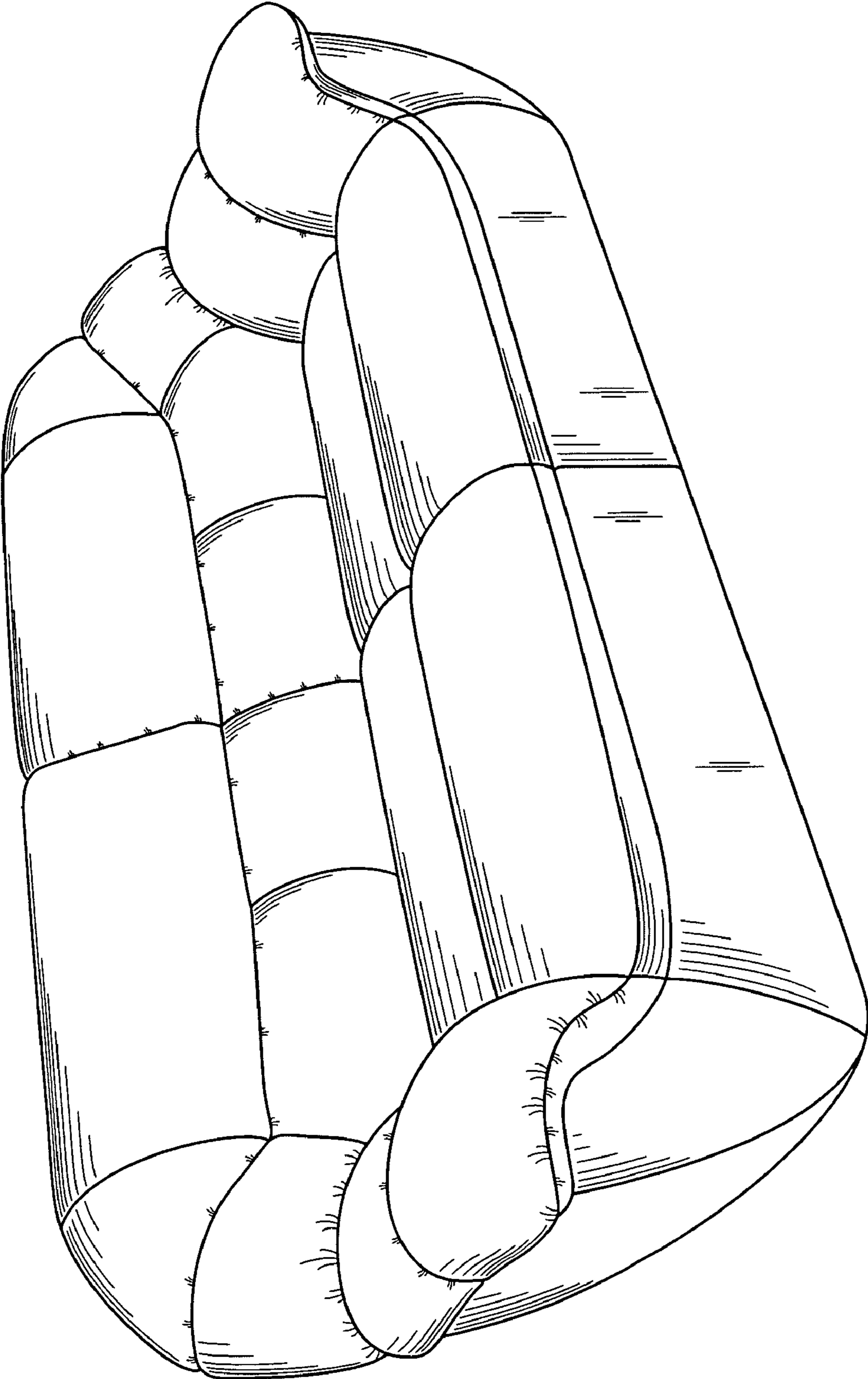


FIG. 1

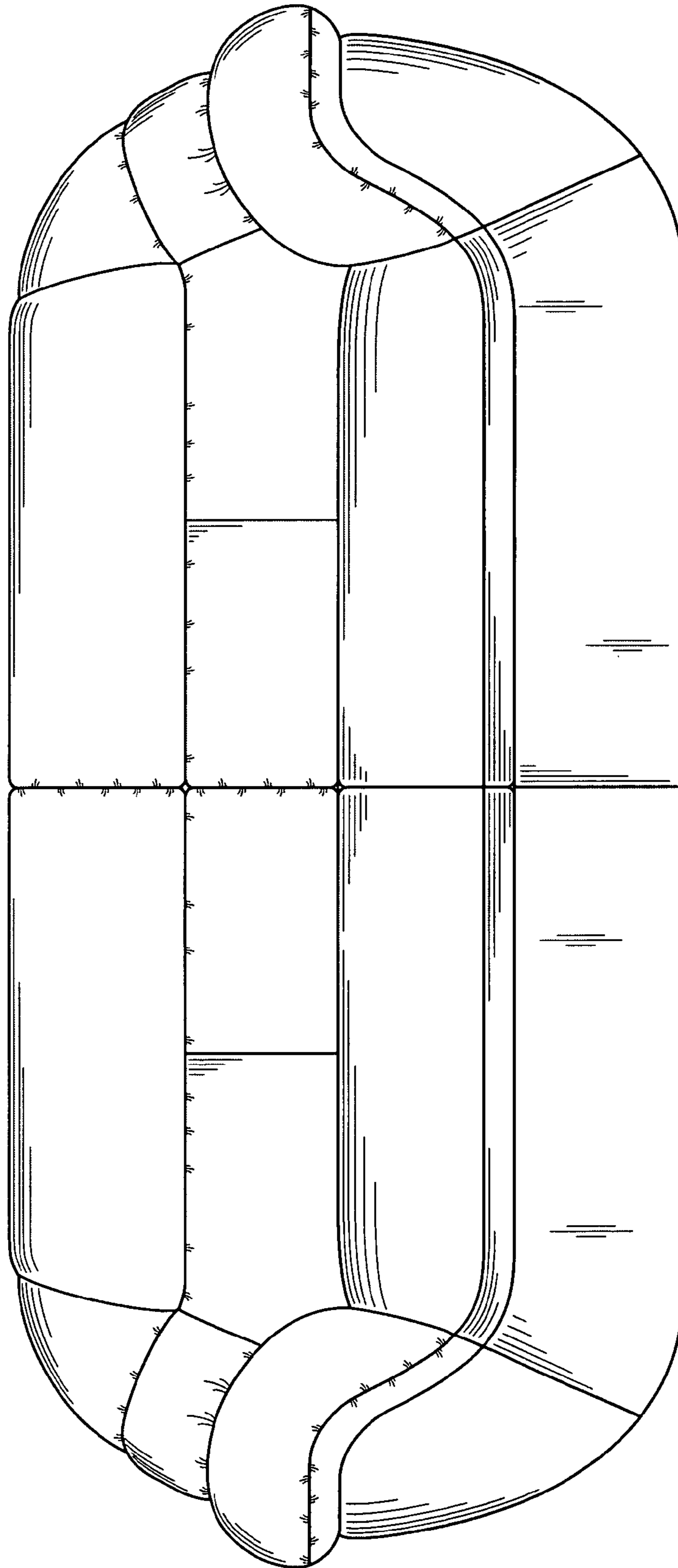


FIG. 2

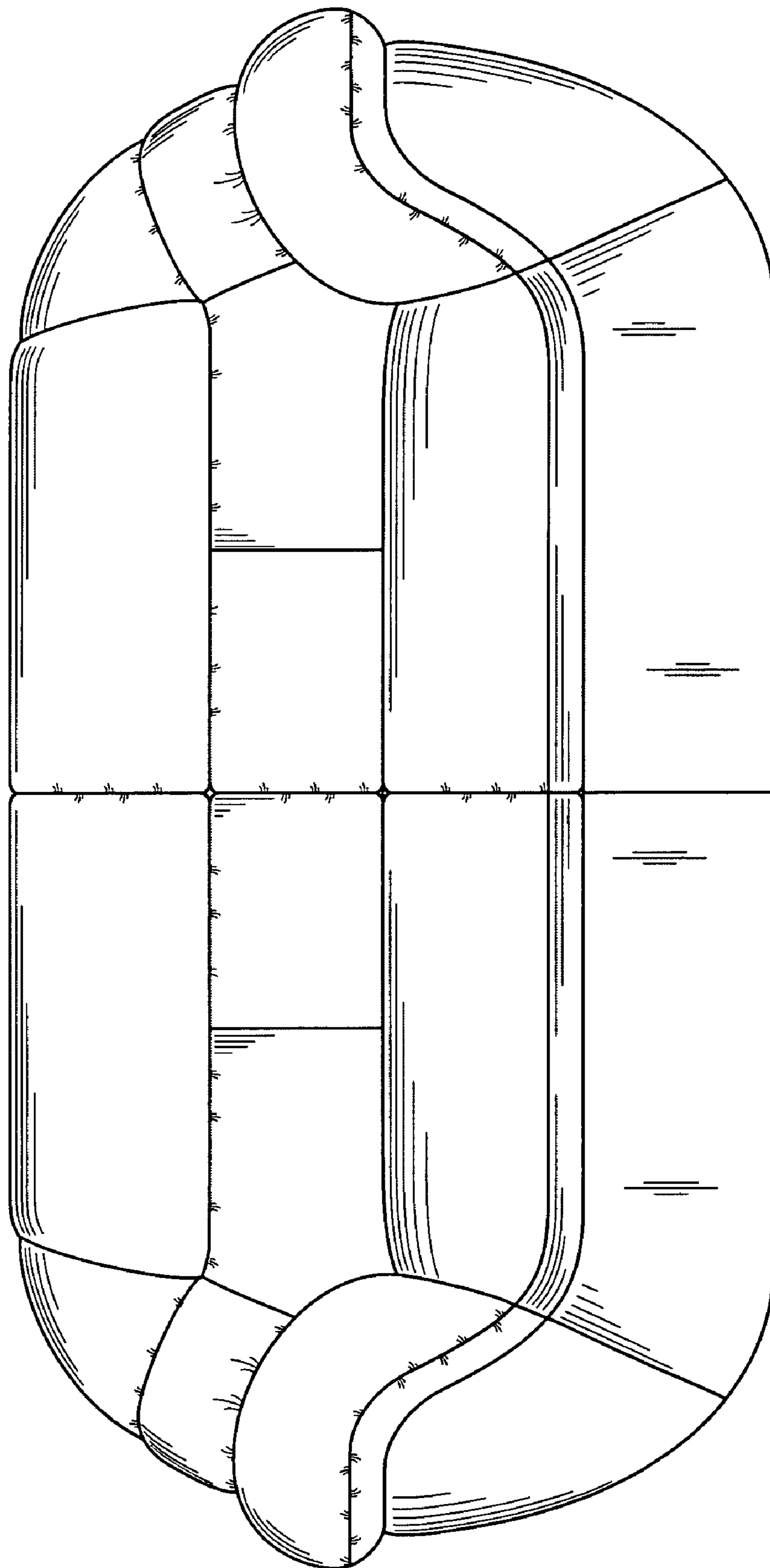


FIG. 3

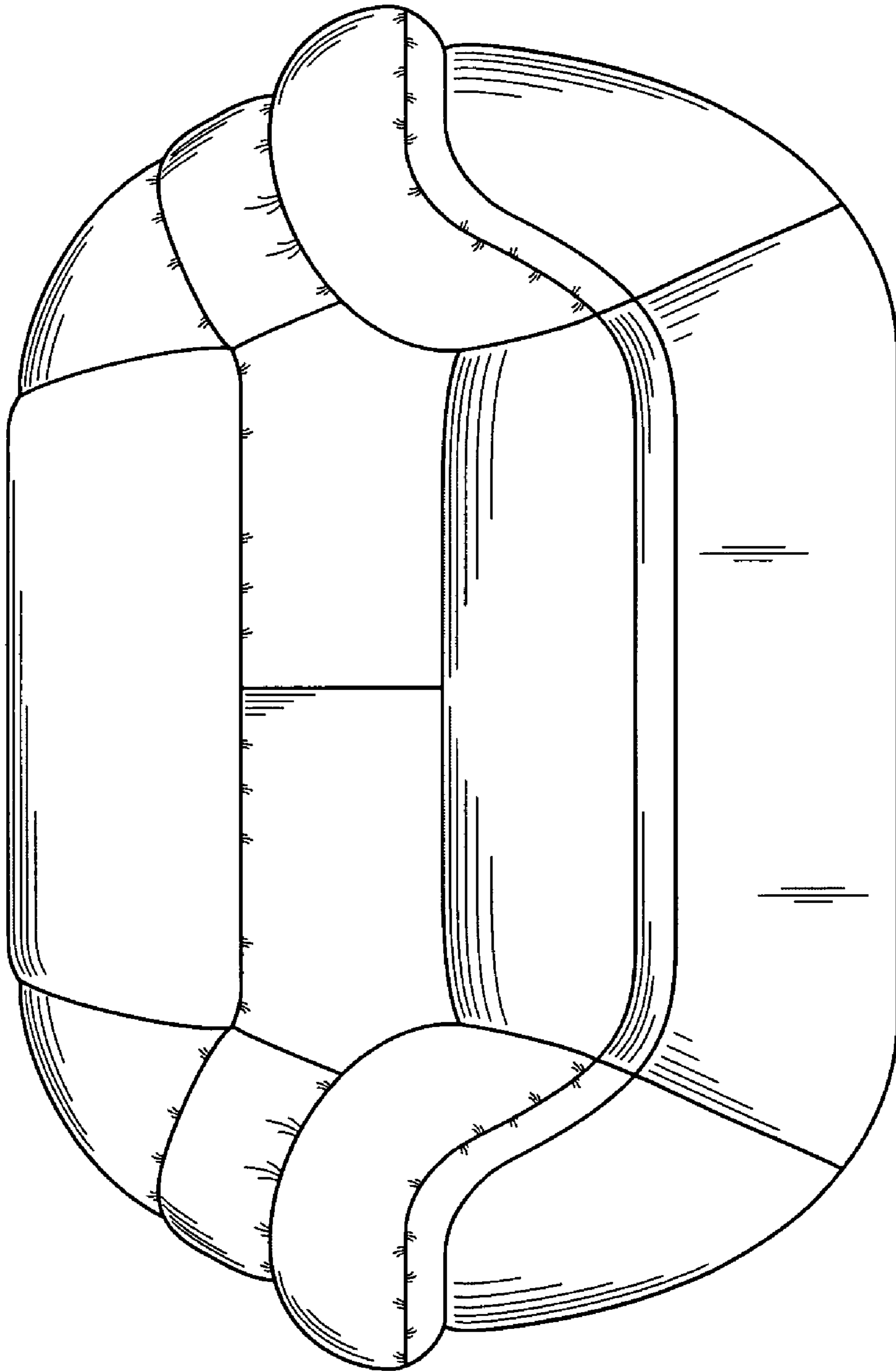


FIG. 4

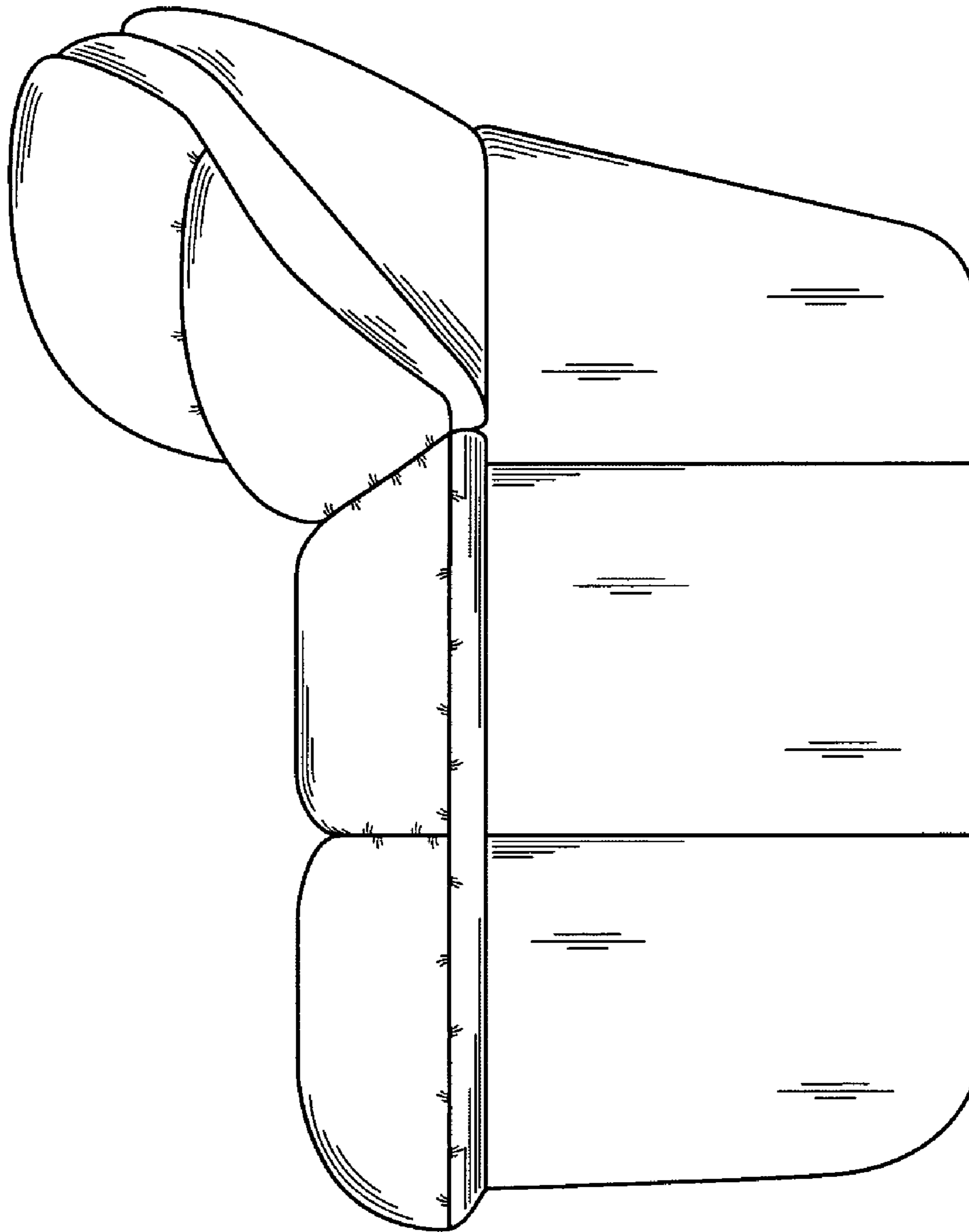


FIG. 5



FIG. 6