



US00D594240S

(12) **United States Design Patent**  
**Udoff et al.**

(10) **Patent No.:** **US D594,240 S**  
(45) **Date of Patent:** **\*\* Jun. 16, 2009**

(54) **LOUNGE CHAIR**

(76) Inventors: **Robert Udoff**, P.O. Box 410, Chester, MD (US) 21619; **Peter J. Paris**, P.O. Box 410, Chester, MD (US) 21619

(\*\*) Term: **14 Years**

(21) Appl. No.: **29/309,992**

(22) Filed: **Nov. 28, 2008**

(51) **LOC (9) Cl.** ..... **06-01**

(52) **U.S. Cl.** ..... **D6/361**

(58) **Field of Classification Search** ..... D6/334-336, D6/360, 361, 367, 368, 371-373, 374, 375, D6/376, 379, 500-502; 5/110, 111, 112, 5/621, 652; 297/54, 224, 229, 411.44, 423.1, 297/440.11, 452.13

See application file for complete search history.

(56) **References Cited**

**U.S. PATENT DOCUMENTS**

- D208,698 S \* 9/1967 Eilsworth et al. .... D6/361
- 4,078,783 A 3/1978 Schwartz et al.
- D279,053 S 6/1985 Vanderminden
- D281,744 S 12/1985 Murry
- D284,143 S 6/1986 Vanderminden
- D287,552 S 1/1987 Vanderminden
- 4,807,936 A 2/1989 Behrendt
- D306,804 S 3/1990 Frinier
- 5,297,850 A 3/1994 Guleserian
- D346,705 S 5/1994 Noll
- D357,154 S 4/1995 Hess

- 5,556,166 A 9/1996 Synnestvedt
- D394,559 S 5/1998 Leventhal
- D406,711 S 3/1999 Niemiec
- D413,735 S \* 9/1999 Tseng ..... D6/361
- D427,443 S \* 7/2000 Hand et al. .... D6/361
- 6,082,820 A 7/2000 Jeng
- D431,945 S 10/2000 Anderson et al.
- 6,158,069 A 12/2000 Boothe
- D479,052 S \* 9/2003 Goodman ..... D6/361
- D509,967 S 9/2005 Nardi
- 6,988,774 B1 1/2006 Elzenbeck
- D519,290 S 4/2006 Piretti
- D527,538 S \* 9/2006 Hughett et al. .... D6/361

**FOREIGN PATENT DOCUMENTS**

JP 2005034645 2/2005

\* cited by examiner

*Primary Examiner*—Mimosa De  
(74) *Attorney, Agent, or Firm*—Evan Kent; Stewart L. Gitler

(57) **CLAIM**

The ornamental design for a lounge chair, as shown, and described.

**DESCRIPTION**

FIG. 1 is a perspective view of the lounge chair;  
FIG. 2 is a side view of the lounge chair;  
FIG. 3 is a top view of the lounge chair;  
FIG. 4 is a front view of the lounge chair; and,  
FIG. 5 is a back view of the lounge chair.

**1 Claim, 5 Drawing Sheets**





FIGURE 1

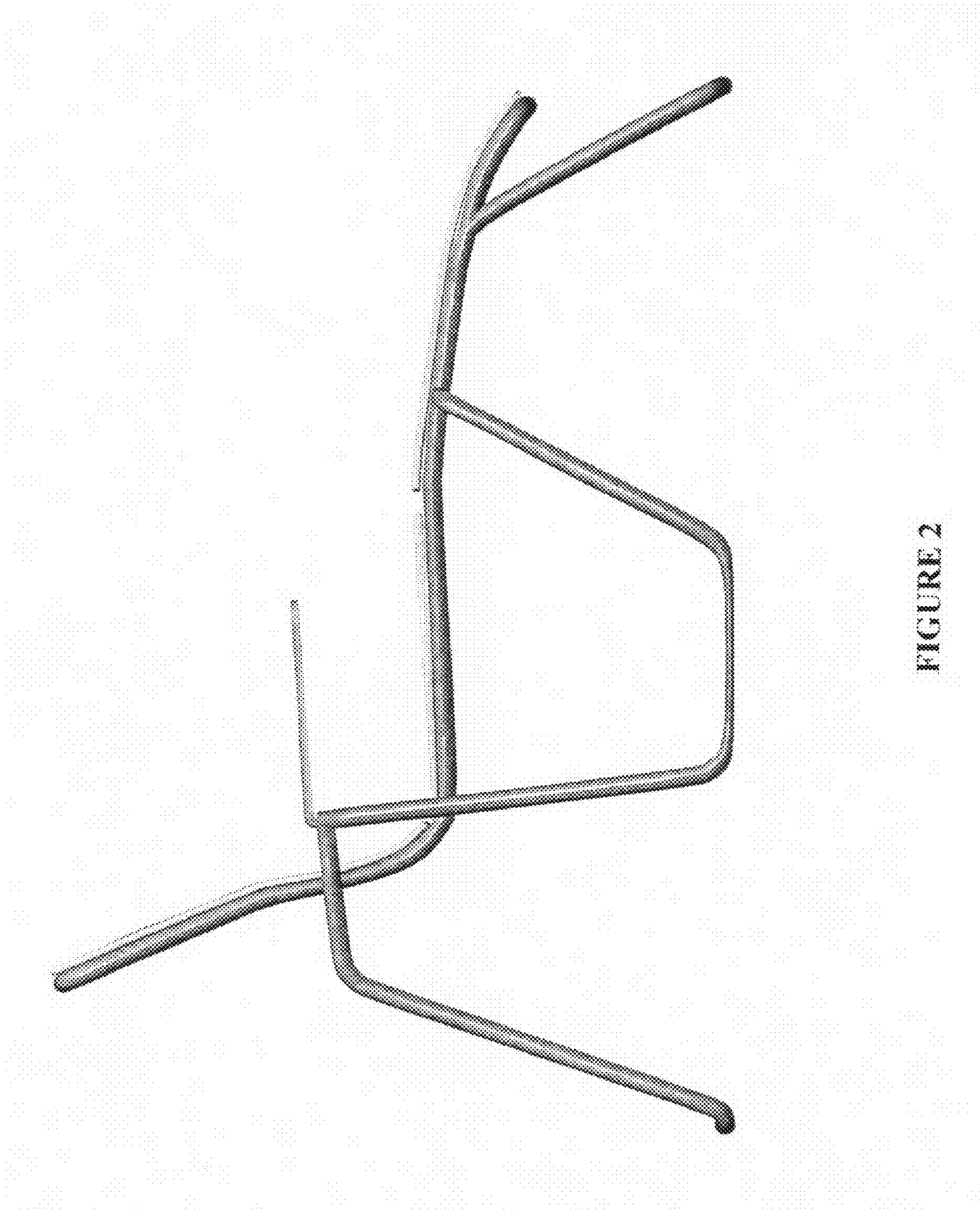


FIGURE 2

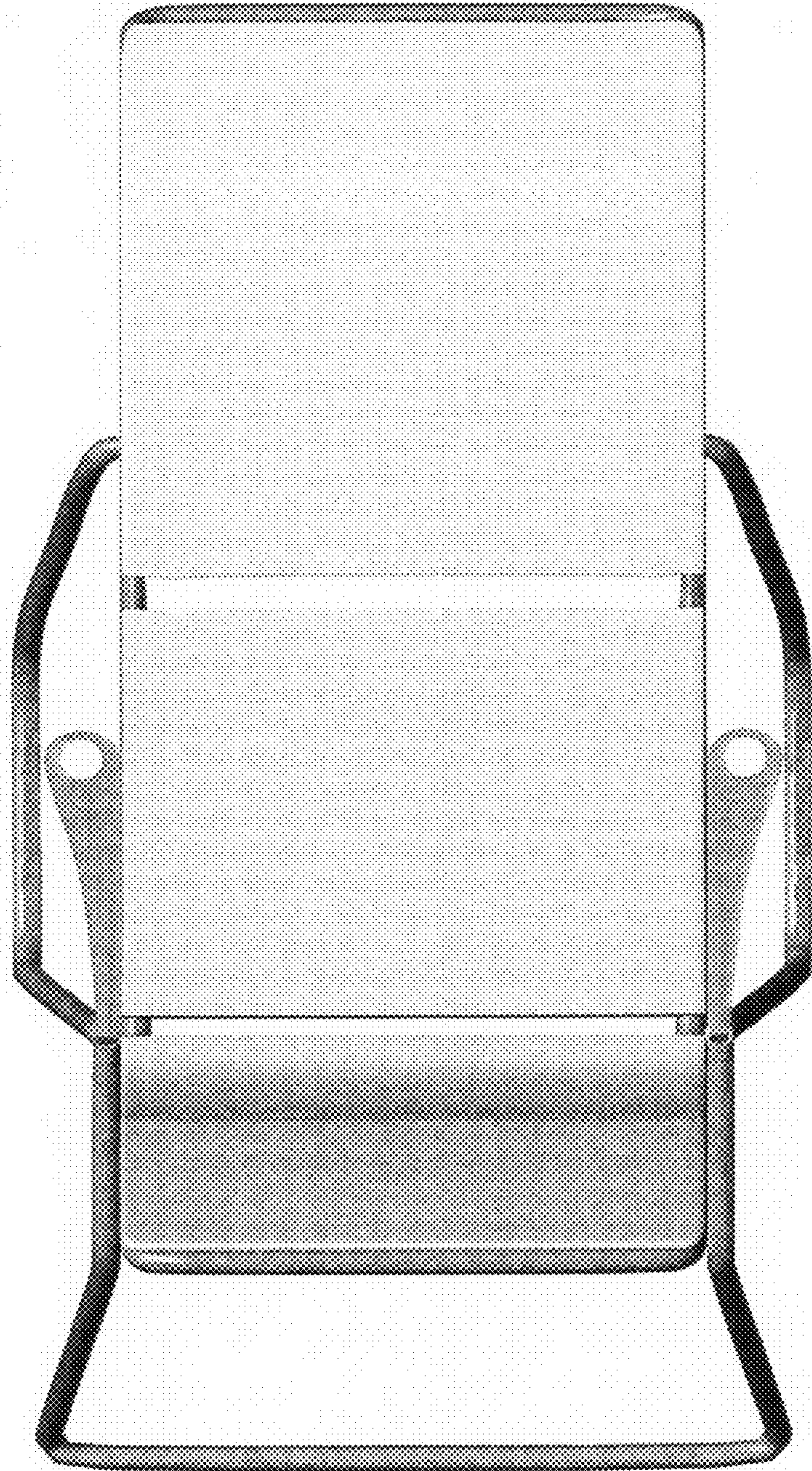


FIGURE 3

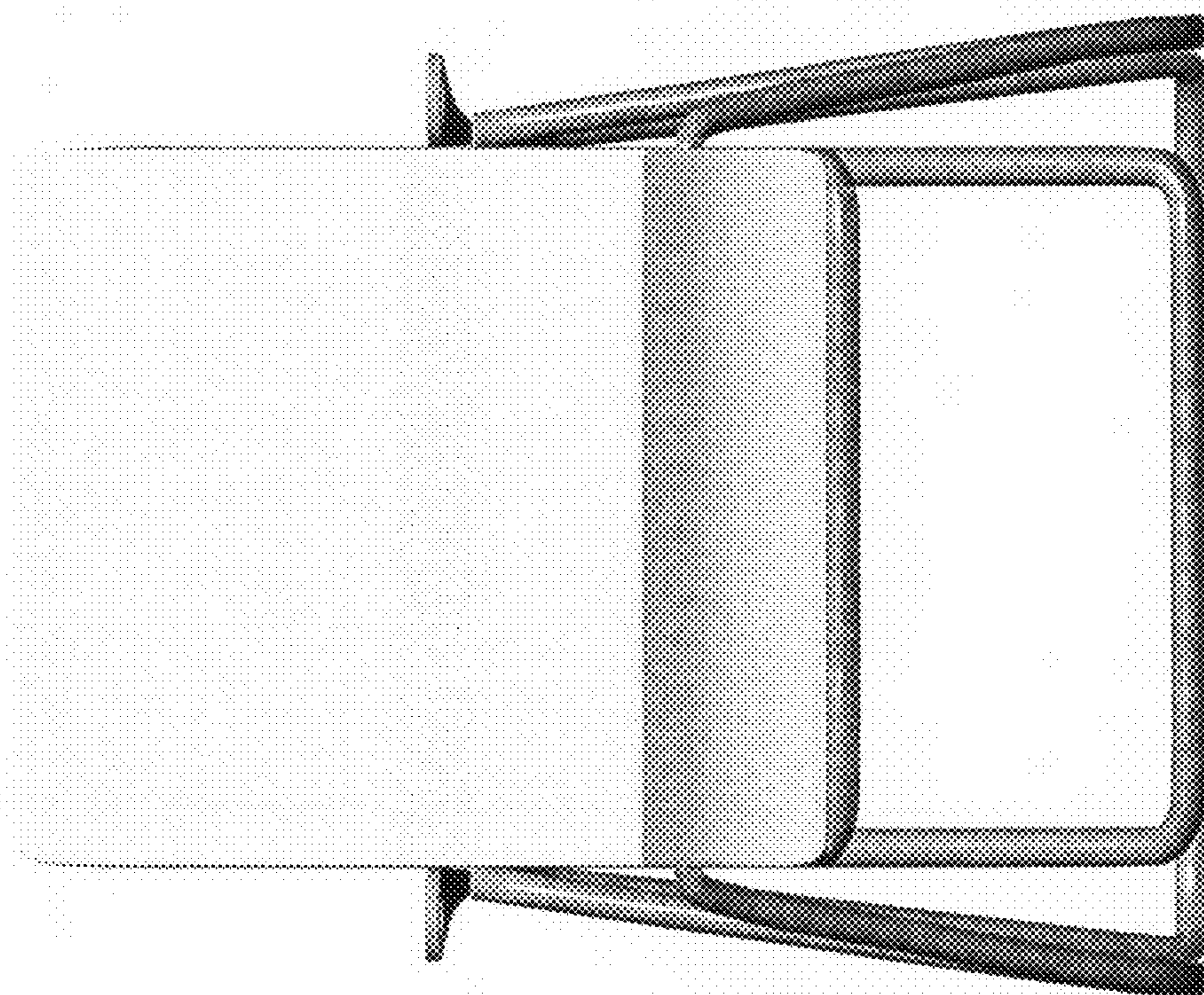


FIGURE 4

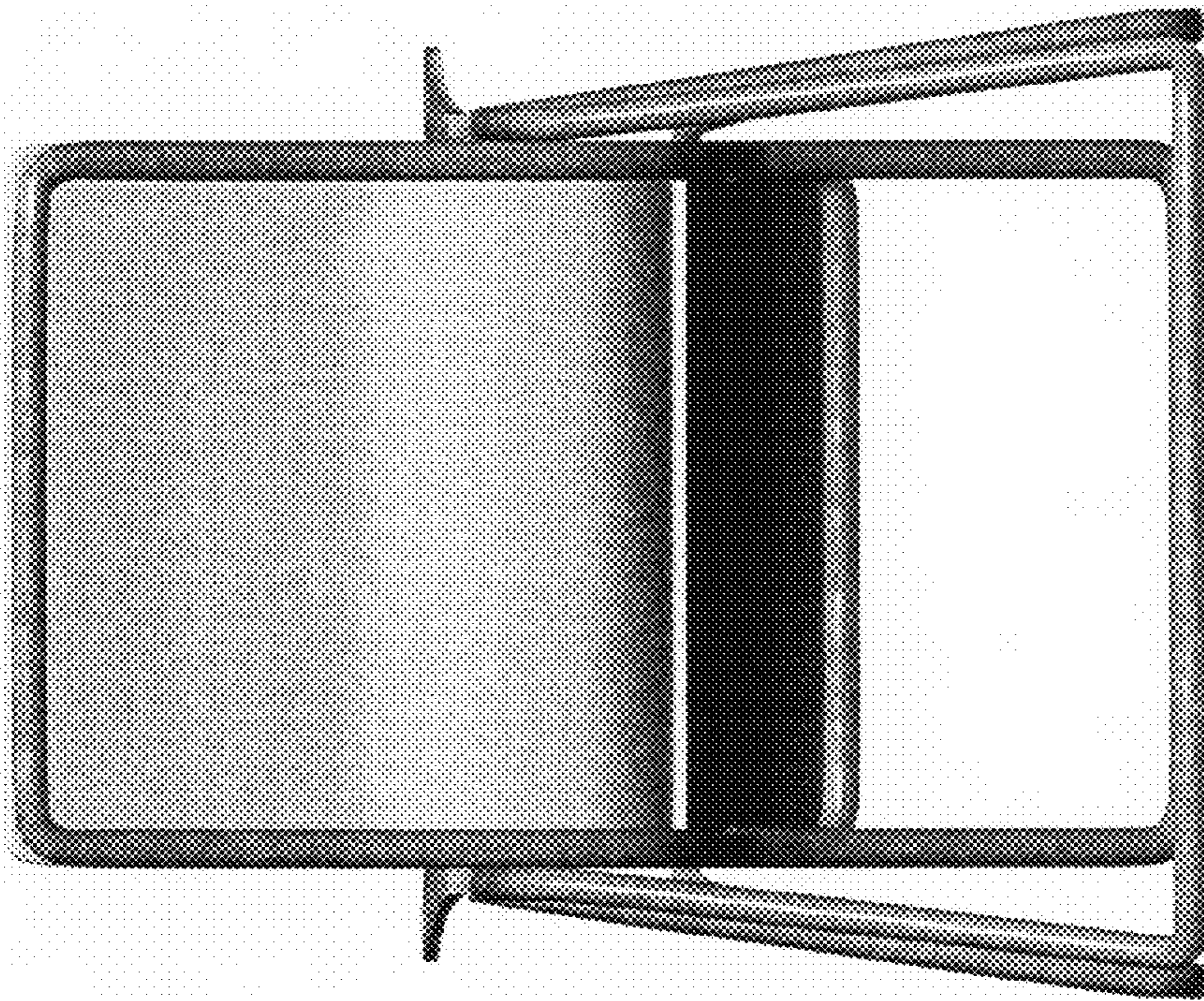


FIGURE 5