



US00D594239S

(12) **United States Design Patent**
Lake et al.

(10) **Patent No.:** **US D594,239 S**
(45) **Date of Patent:** **** Jun. 16, 2009**

- (54) **FRAME FOR A ROCKING CHAIR**
- (75) Inventors: **Jon Lake**, Sunnyvale, CA (US); **Davy Kho**, Paris (FR)
- (73) Assignee: **iLinko Ltd.**, Quarry Bay (HK)
- (**) Term: **14 Years**
- (21) Appl. No.: **29/280,272**
- (22) Filed: **May 22, 2007**
- (30) **Foreign Application Priority Data**
Nov. 24, 2006 (EM) 000626692-0001
- (51) **LOC (9) Cl.** **06-01**
- (52) **U.S. Cl.** **D6/348**
- (58) **Field of Classification Search** D6/348,
D6/334, 344, 371-374, 376, 500-502; 297/452.19,
297/271.6, 271.5, 272.1, 270.3, 270.2, 452.18,
297/258.1, 260.1; D21/688
See application file for complete search history.

- (56) **References Cited**
U.S. PATENT DOCUMENTS
3,072,435 A * 1/1963 Komulainen 297/271.6
D245,132 S * 7/1977 Gale, Jr. D6/348
D271,728 S * 12/1983 Burns D6/348
D291,034 S * 7/1987 Burns D6/348
D314,284 S * 2/1991 Cohen D6/348
D388,621 S * 1/1998 Reese D6/348
D478,220 S * 8/2003 Chang D6/348
D480,884 S * 10/2003 Kane et al. D6/348

- D520,762 S * 5/2006 Pratt et al. D6/348
- D521,752 S * 5/2006 Messier D6/348
- D526,495 S * 8/2006 Albin D6/348
- D545,072 S * 6/2007 Dessertine D6/348
- D577,212 S * 9/2008 Lee D6/348

* cited by examiner
Primary Examiner—Caron Veynar
Assistant Examiner—Abraham Bahta
(74) *Attorney, Agent, or Firm*—Christensen O'Connor Johnson Kindness PLLC

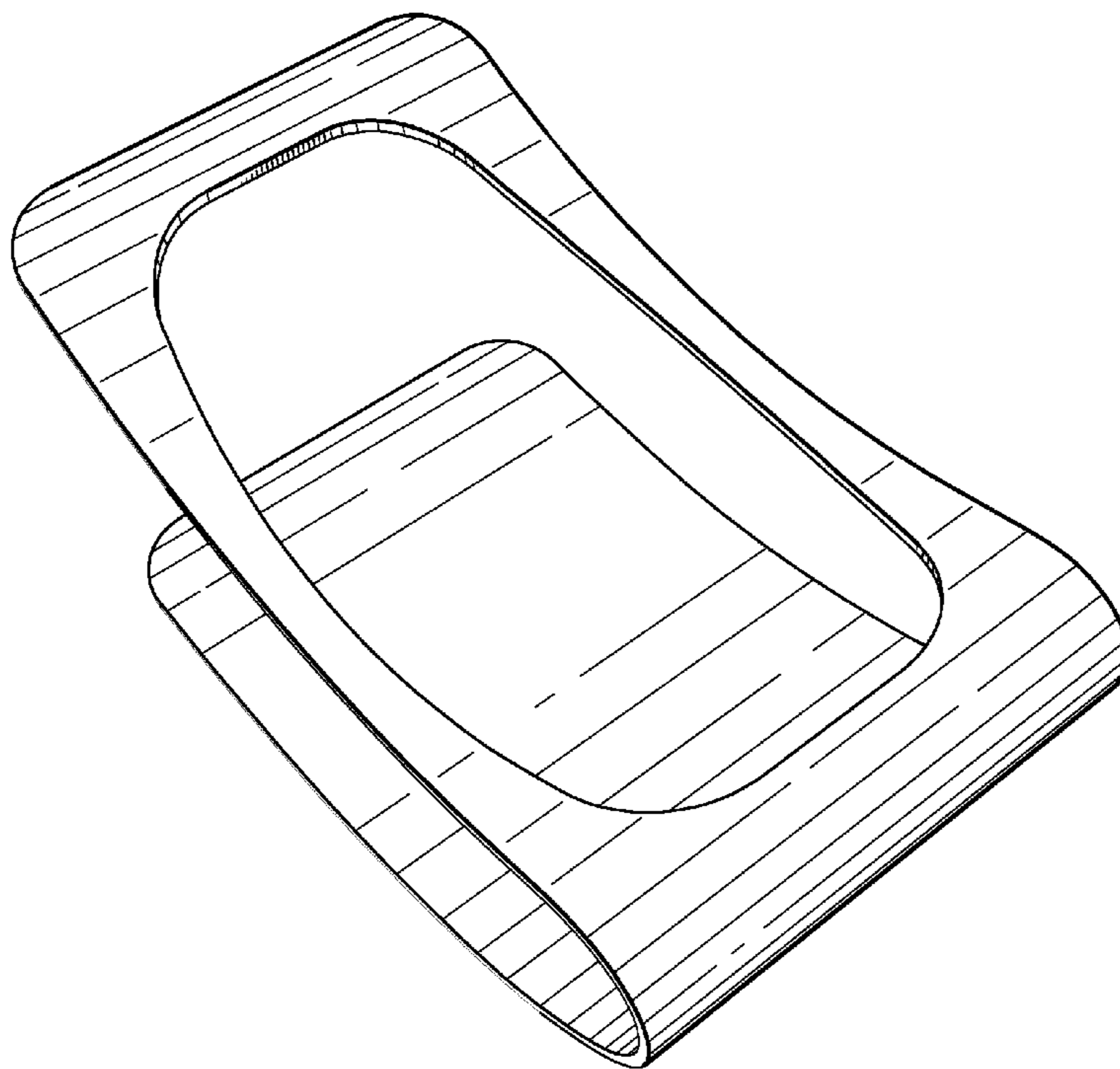
(57) **CLAIM**

The ornamental design for a frame for a rocking chair, as shown and described.

DESCRIPTION

FIG. 1 is an upper front left perspective view of a frame for a rocking chair showing our new design;
FIG. 2 is a front elevation view thereof;
FIG. 3 is a rear elevation view thereof;
FIG. 4 is a right side elevation view thereof;
FIG. 5 is a left side elevation view thereof;
FIG. 6 is a top plan view thereof;
FIG. 7 is a bottom plan view thereof; and,
FIG. 8 is an upper front left perspective view thereof, shown together with a seat cushion, shoulder straps and hip strap in broken lines for the purpose of illustrating an environment in which the frame for a rocking chair may be used but not forming part of the claimed design.

1 Claim, 8 Drawing Sheets



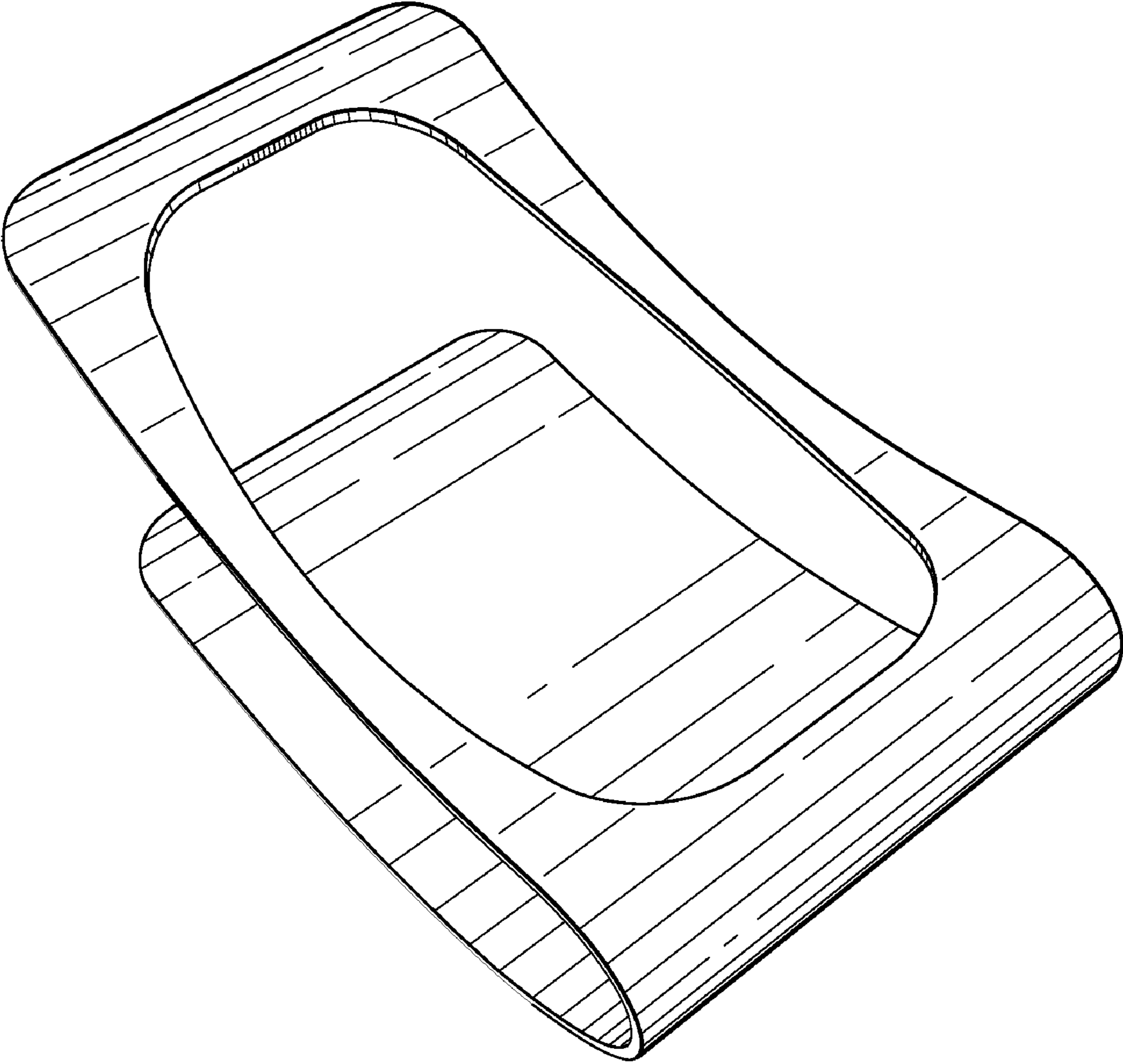


Fig. 1.

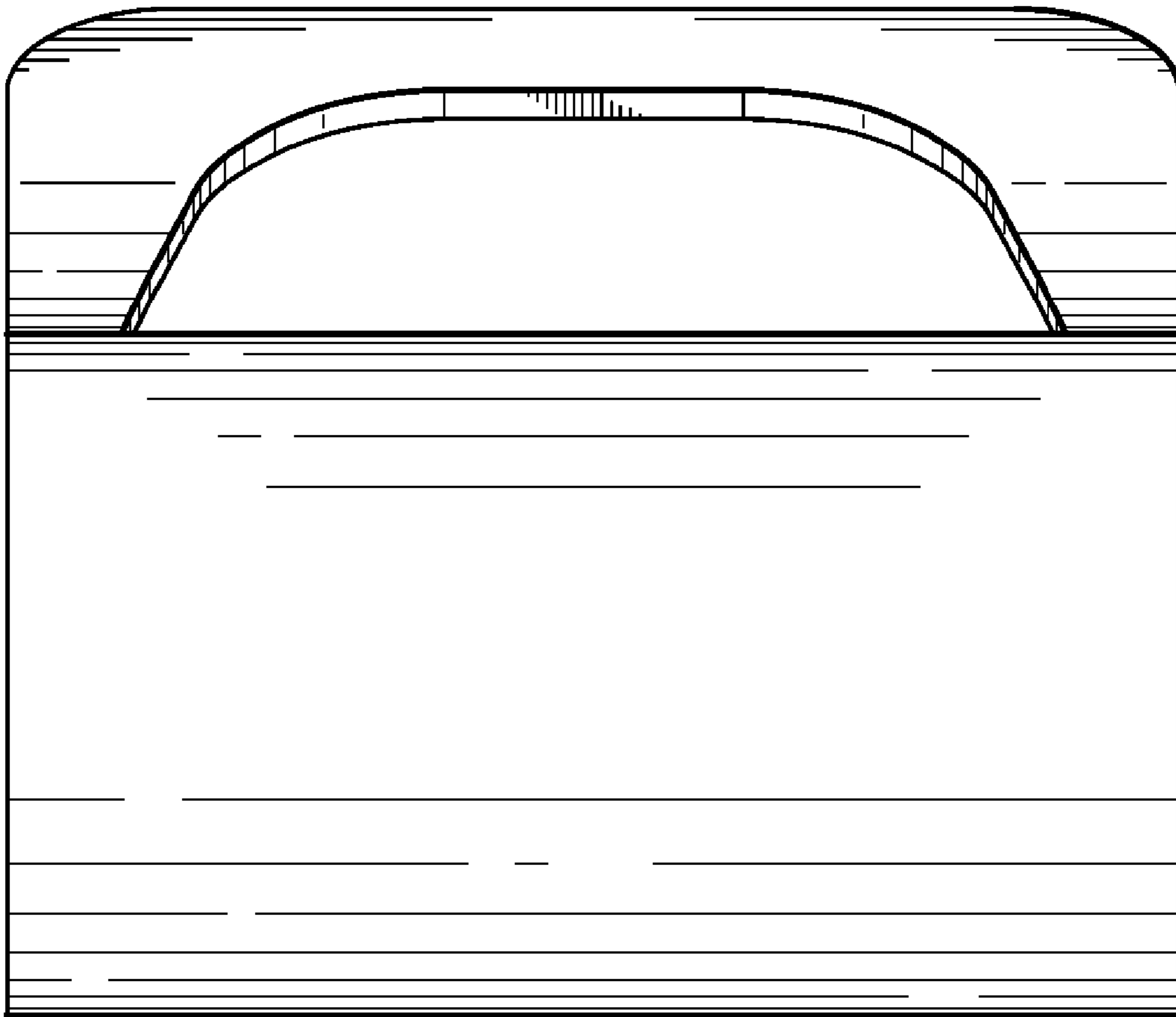


Fig. 2.

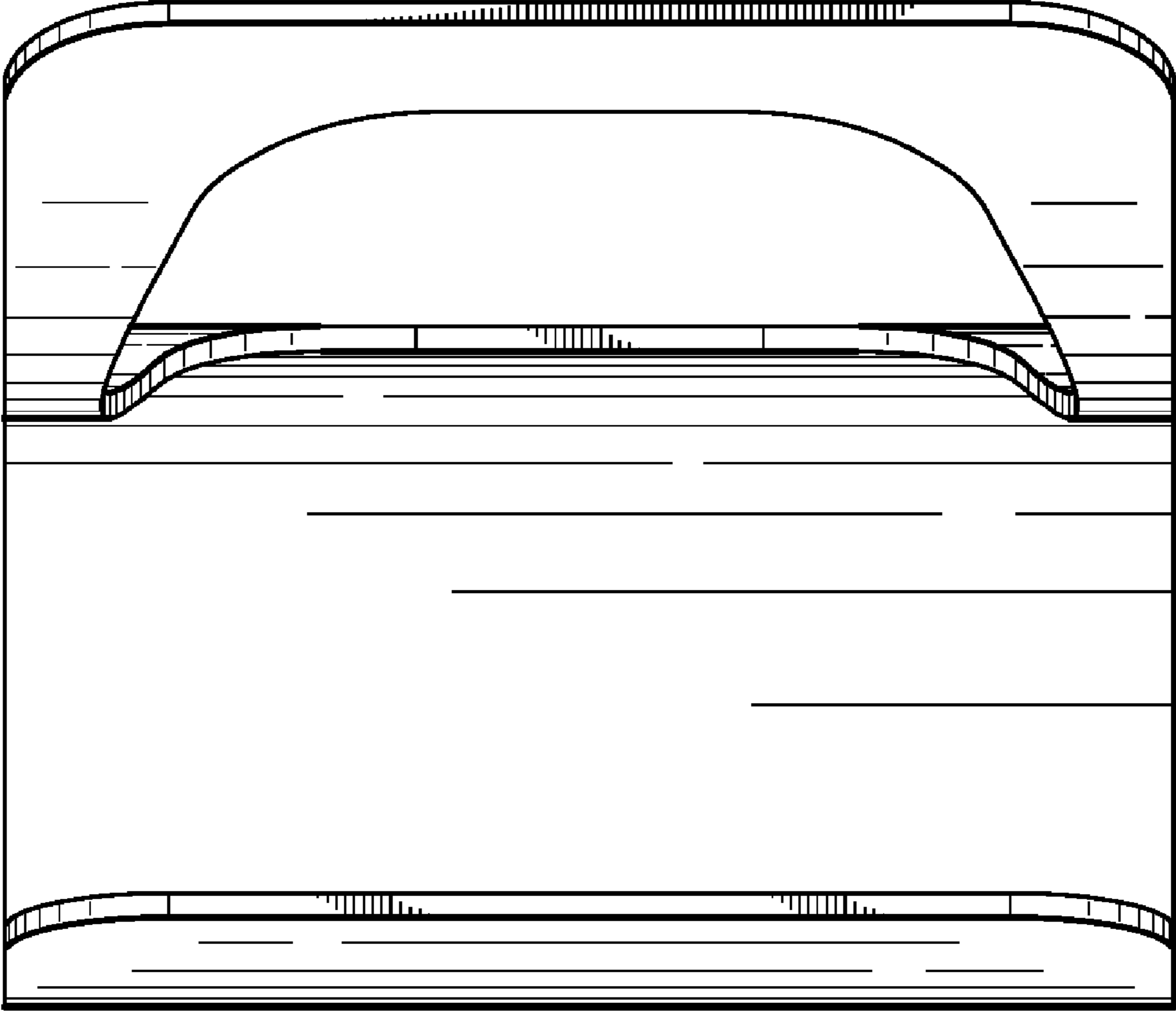


Fig. 3.

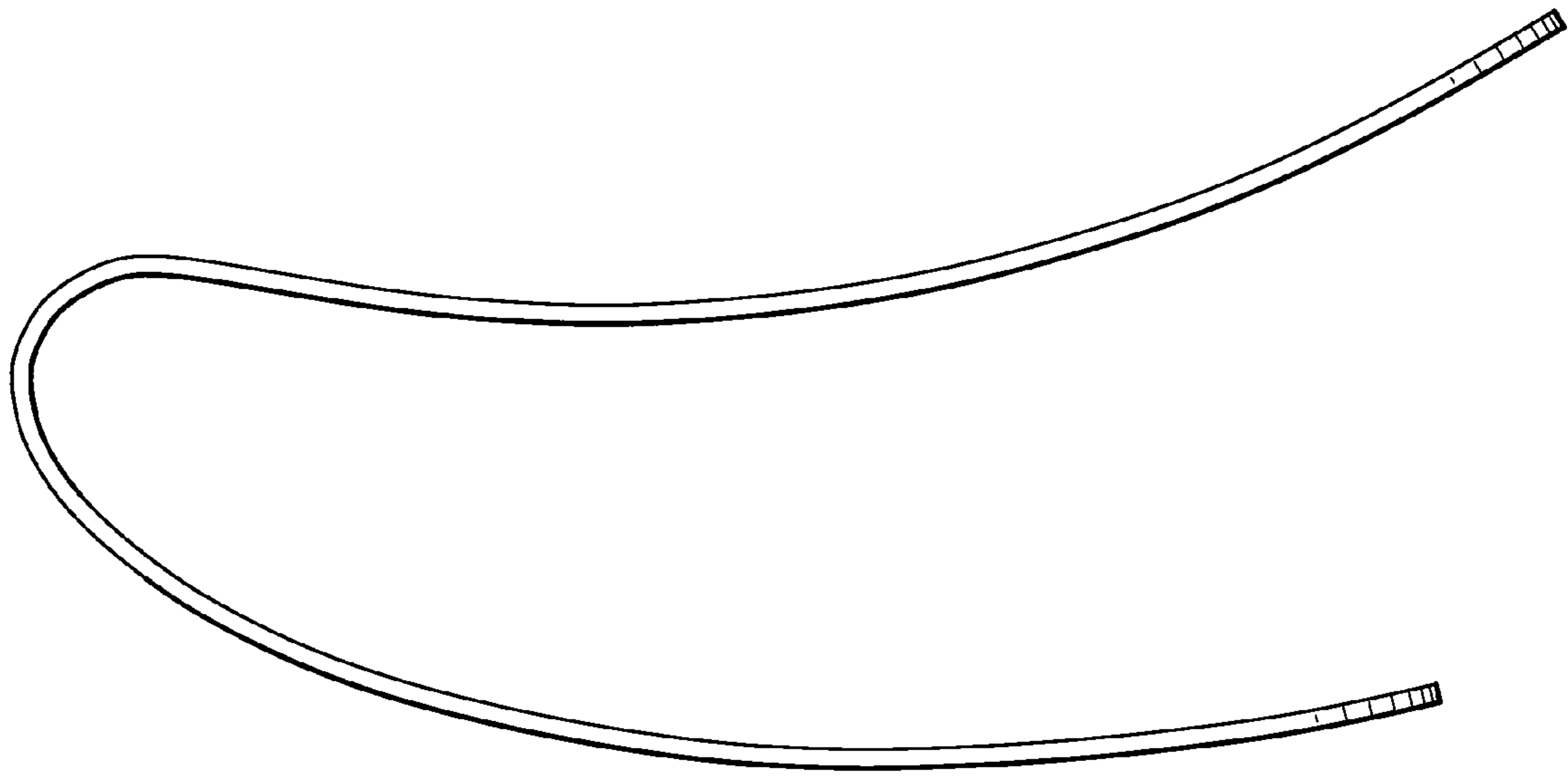


Fig.4.

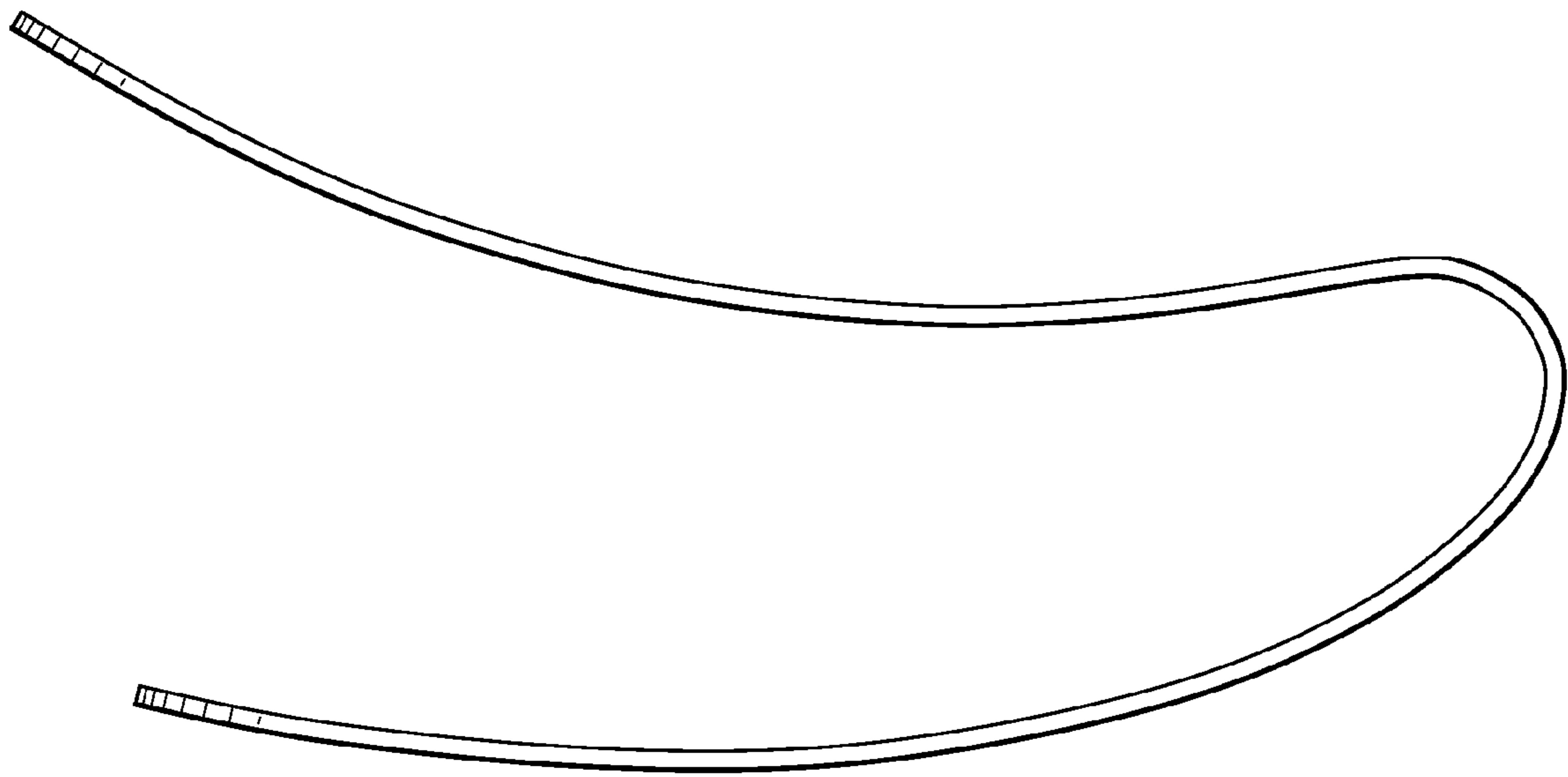


Fig. 5.

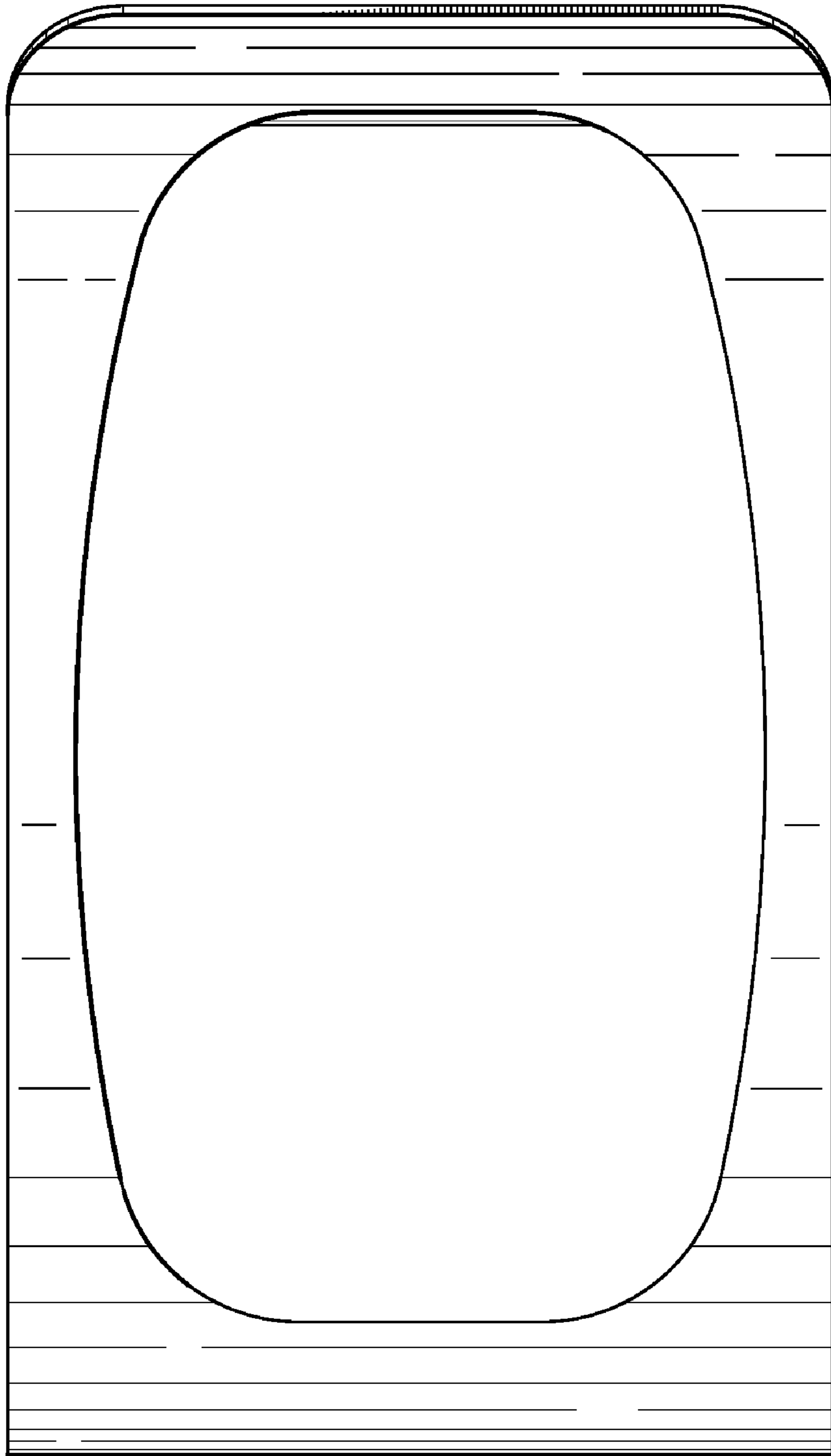


Fig. 6.

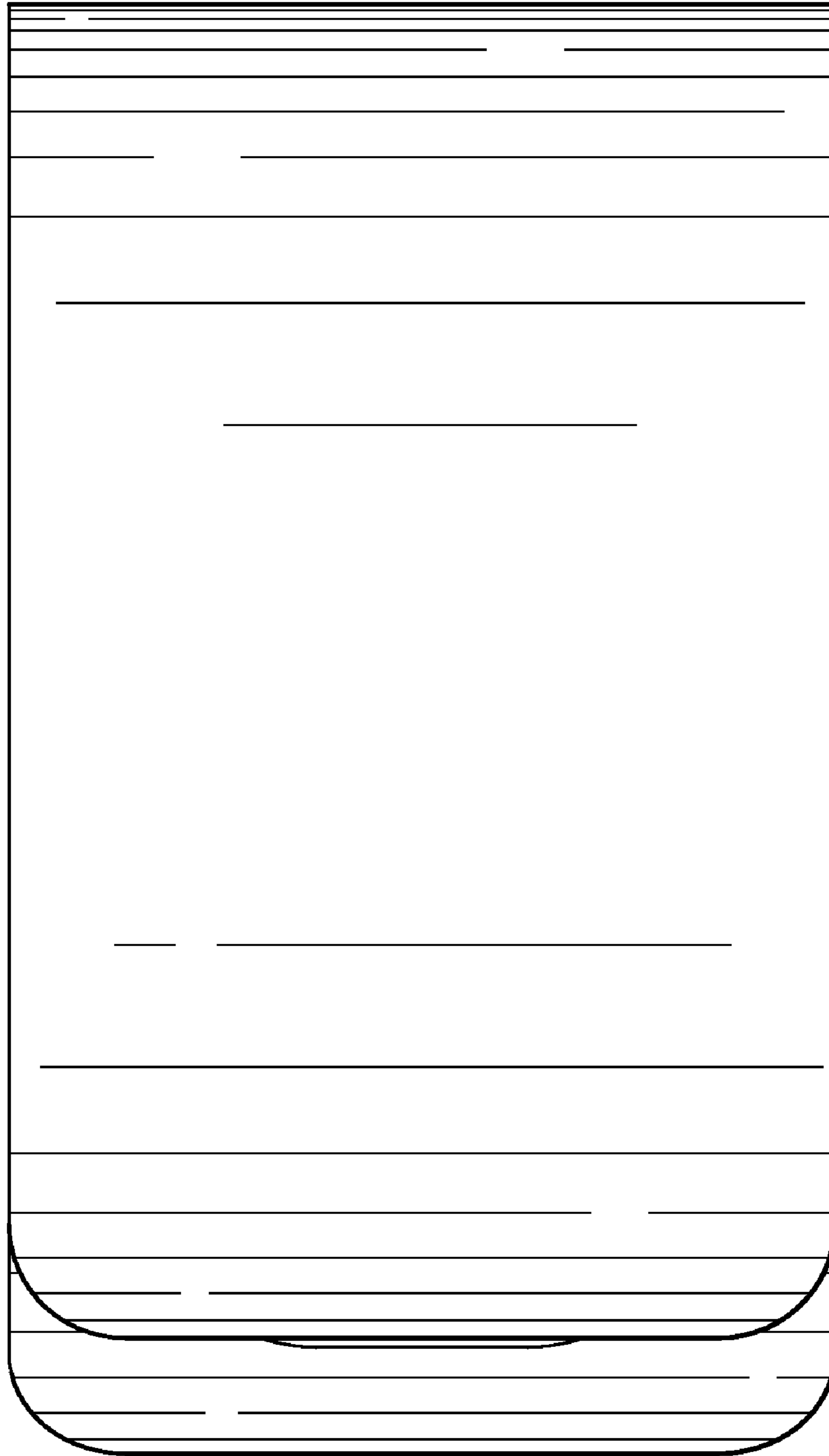


Fig. 7.

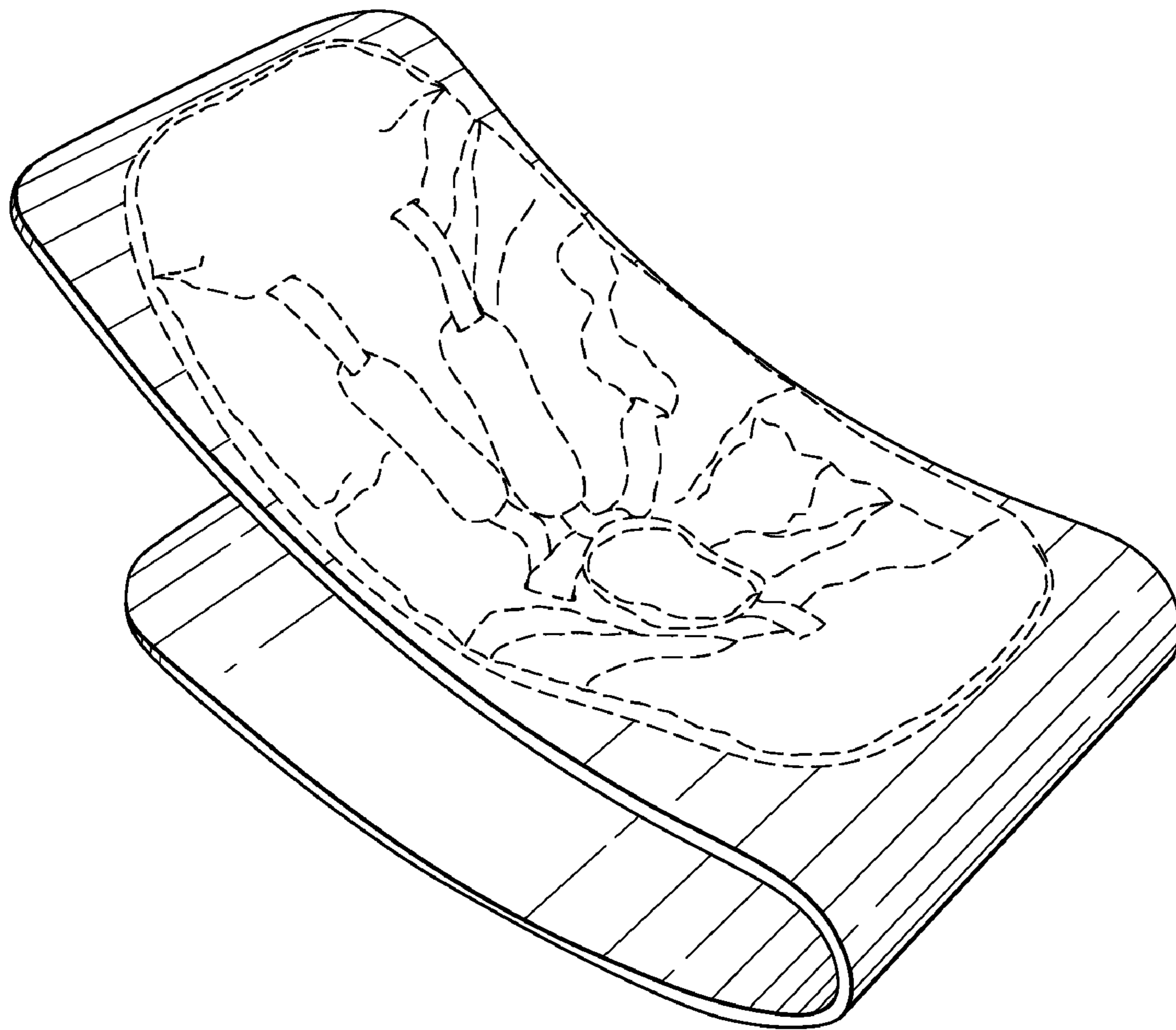


Fig. 8.