



US00D594232S

(12) **United States Design Patent**  
**Wyse**

(10) **Patent No.:** **US D594,232 S**  
(45) **Date of Patent:** **\*\* Jun. 16, 2009**

(54) **TRANSPORTABLE AND STACKABLE STORAGE CONTAINER**

*Assistant Examiner*—Roselyne Cody  
(74) *Attorney, Agent, or Firm*—Hovey Williams LLP

(76) **Inventor:** **Steven J. Wyse**, 82 Pin Oak, Archbold, OH (US) 43502

(57) **CLAIM**

The ornamental design for a transportable and stackable storage container, as shown and described.

(\*\*) **Term:** **14 Years**

(21) **Appl. No.:** **29/319,414**

**DESCRIPTION**

(22) **Filed:** **Jun. 9, 2008**

(51) **LOC (9) Cl.** ..... **03-01**

(52) **U.S. Cl.** ..... **D3/321**

(58) **Field of Classification Search** ..... D3/272–273,  
D3/319, 321; 206/503, 508–509, 512, 821;  
220/1.5; 211/194

FIG. 1 is a top perspective view of a transportable and stackable storage container embodying my design, with the juncture between adjacent sidewall panels, the door hinges, the door lock mechanism, the towing clevises, the rollers, the bracing along the underside of the bottom wall, and the forklift sleeves being shown in broken lines for illustrative purposes only and forming no part of the claimed design;

See application file for complete search history.

FIG. 2 is a bottom perspective view of the transportable and stackable storage container depicted in FIG. 1;

(56) **References Cited**

**U.S. PATENT DOCUMENTS**

2,919,826	A *	1/1960	Richter	.....	220/1.5
4,016,974	A *	4/1977	Tax	.....	206/321
4,848,618	A *	7/1989	Yuan et al.	.....	220/1.5
5,056,667	A *	10/1991	Coogan	.....	206/600
D334,496	S *	4/1993	Schnair	.....	D6/475
5,671,854	A *	9/1997	Thomas	.....	220/1.5
5,720,403	A *	2/1998	Sawyer	.....	217/65
5,746,343	A *	5/1998	Waltke et al.	.....	220/9.4
D431,358	S *	10/2000	Willemsen	.....	D3/272
6,286,792	B1 *	9/2001	Best	.....	248/97
6,726,041	B2 *	4/2004	Dunn	.....	211/194
6,811,048	B2 *	11/2004	Lau	.....	220/1.5
7,152,749	B2 *	12/2006	Beck	.....	211/194
D572,902	S *	7/2008	Schafer	.....	D3/272
7,482,924	B1 *	1/2009	Beinhocker	.....	340/555
2007/0108082	A1 *	5/2007	Baehler et al.	.....	206/509

FIG. 3 is a side elevation view of the transportable and stackable storage container depicted in FIGS. 1 and 2, with the opposite side elevation view being a mirror image thereof;

FIG. 4 is an end elevation view of the transportable and stackable storage container depicted in FIGS. 1–3;

FIG. 5 is an end elevation view of the transportable and stackable storage container opposite that depicted in FIG. 4;

FIG. 6 is a top elevation view of the transportable and stackable storage container depicted in FIGS. 1–5;

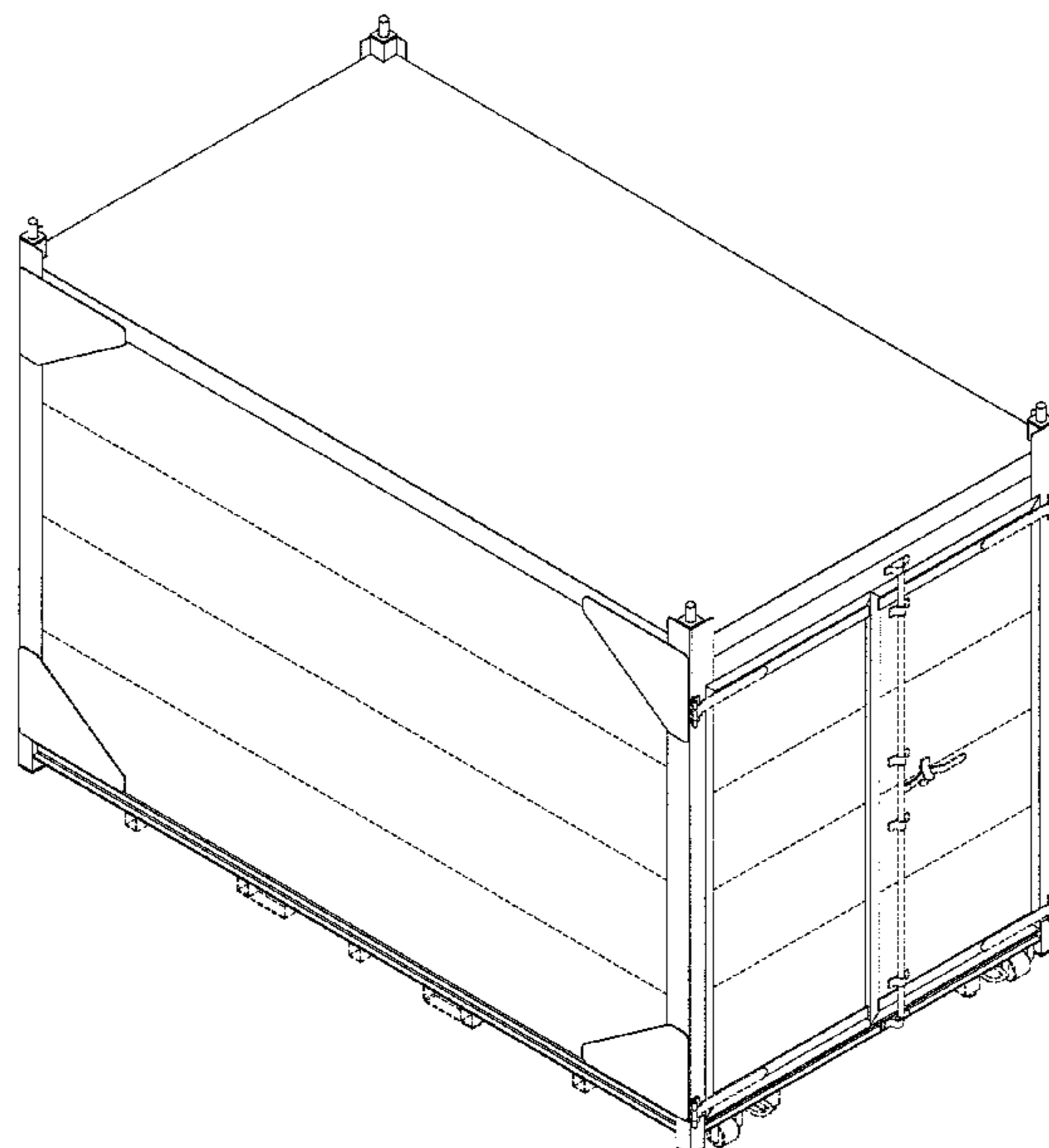
FIG. 7 is a bottom elevation view of the transportable and stackable storage container depicted in FIGS. 1–6; and,

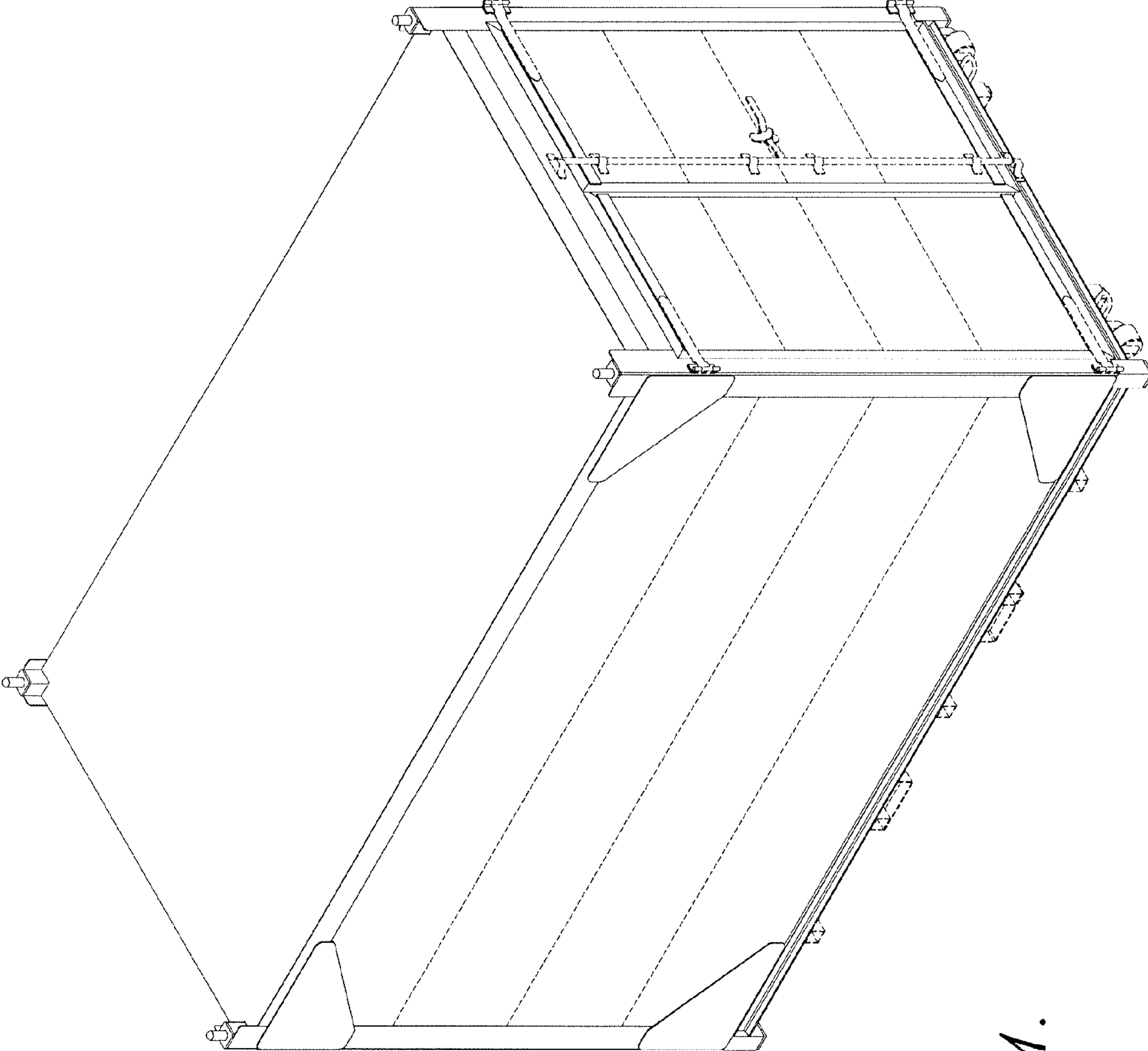
FIG. 8 is a top perspective view of the transportable and stackable storage container depicted in FIGS. 1–7, but illustrating the container stacked on top of another similarly designed container for environmental purposes, with the lower container being shown in broken lines for illustrative purposes only and forming no part of the claimed design.

\* cited by examiner

*Primary Examiner*—Philip S Hyder

**1 Claim, 8 Drawing Sheets**





*Fig. 1.*

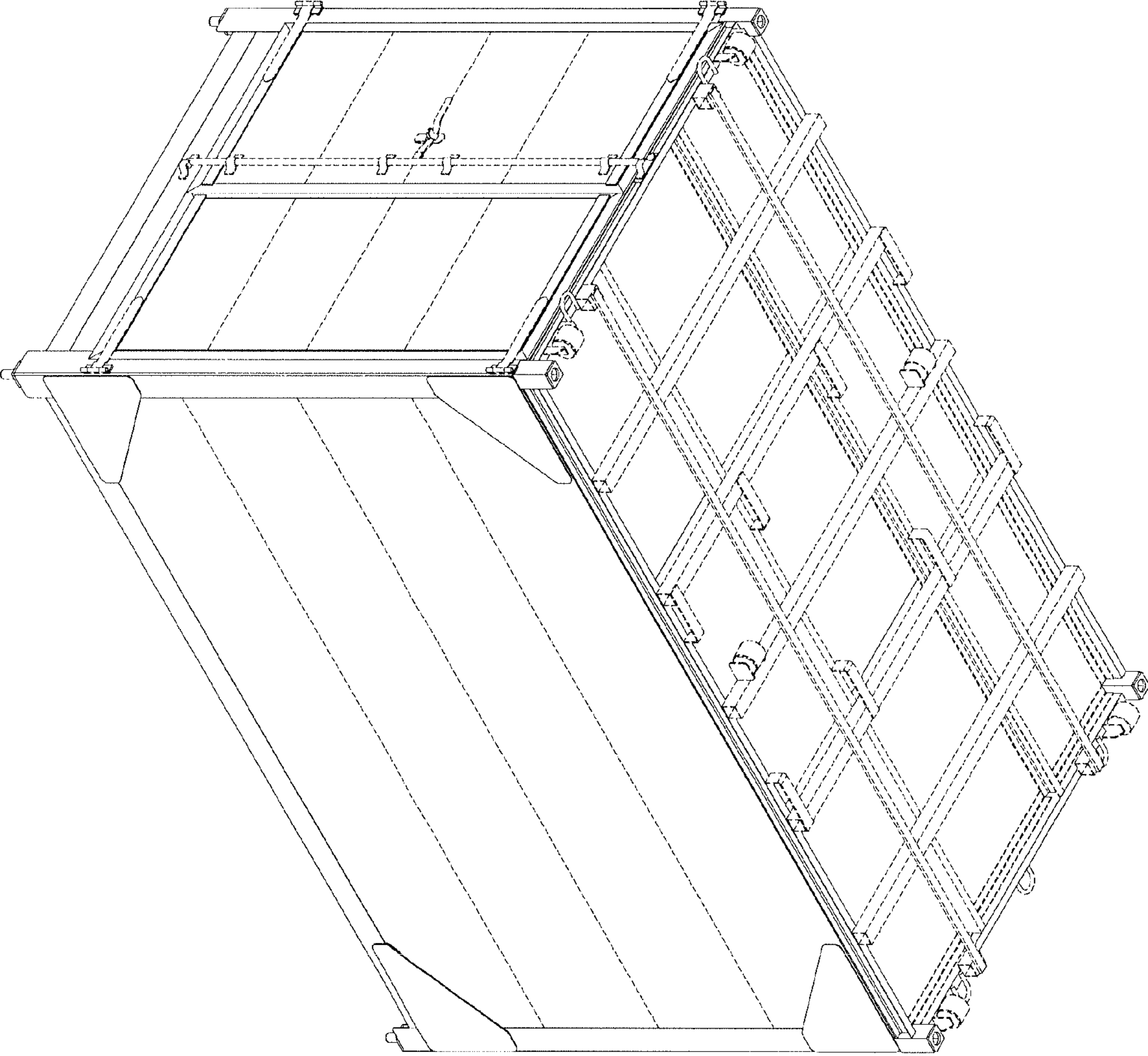
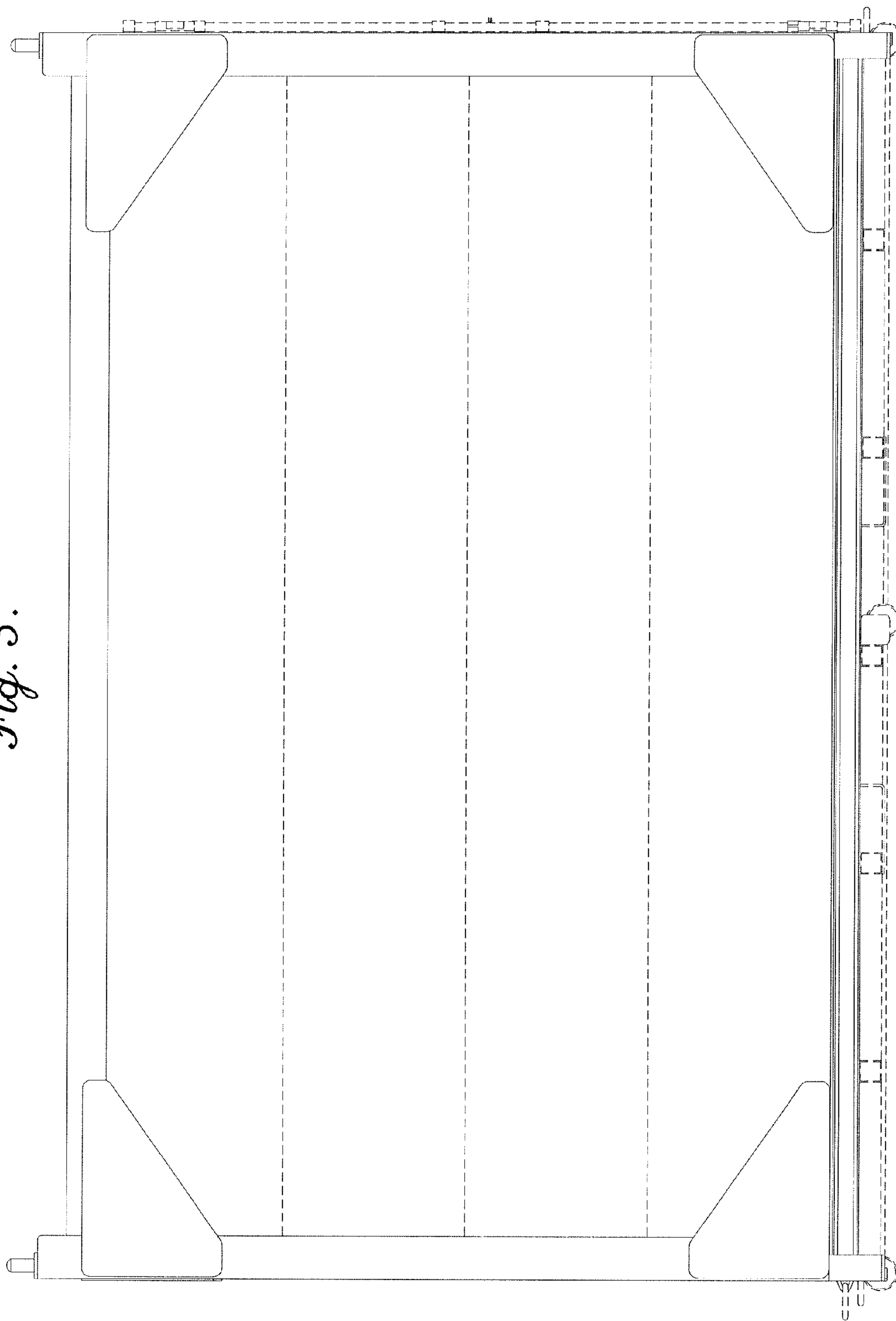
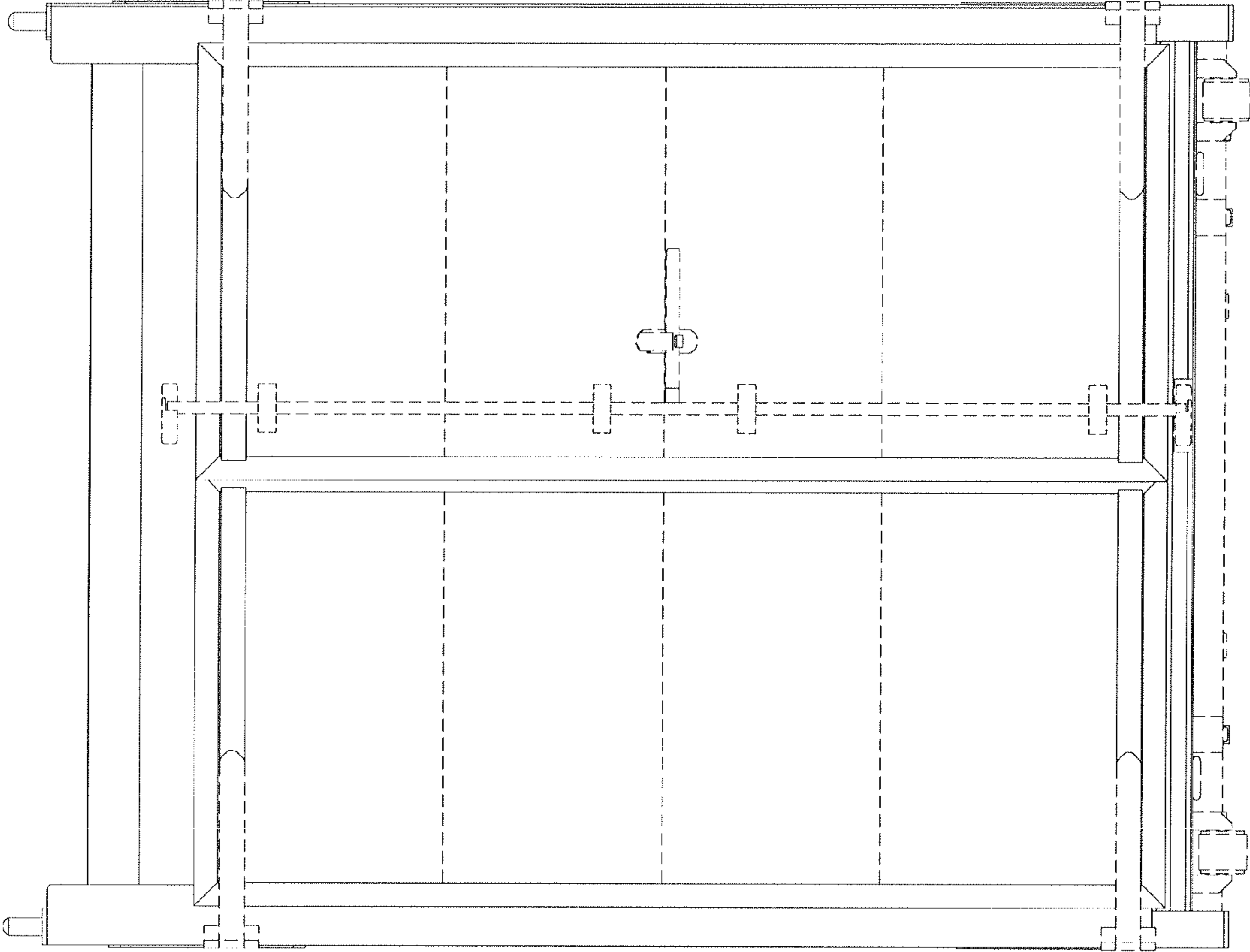


Fig. 2.

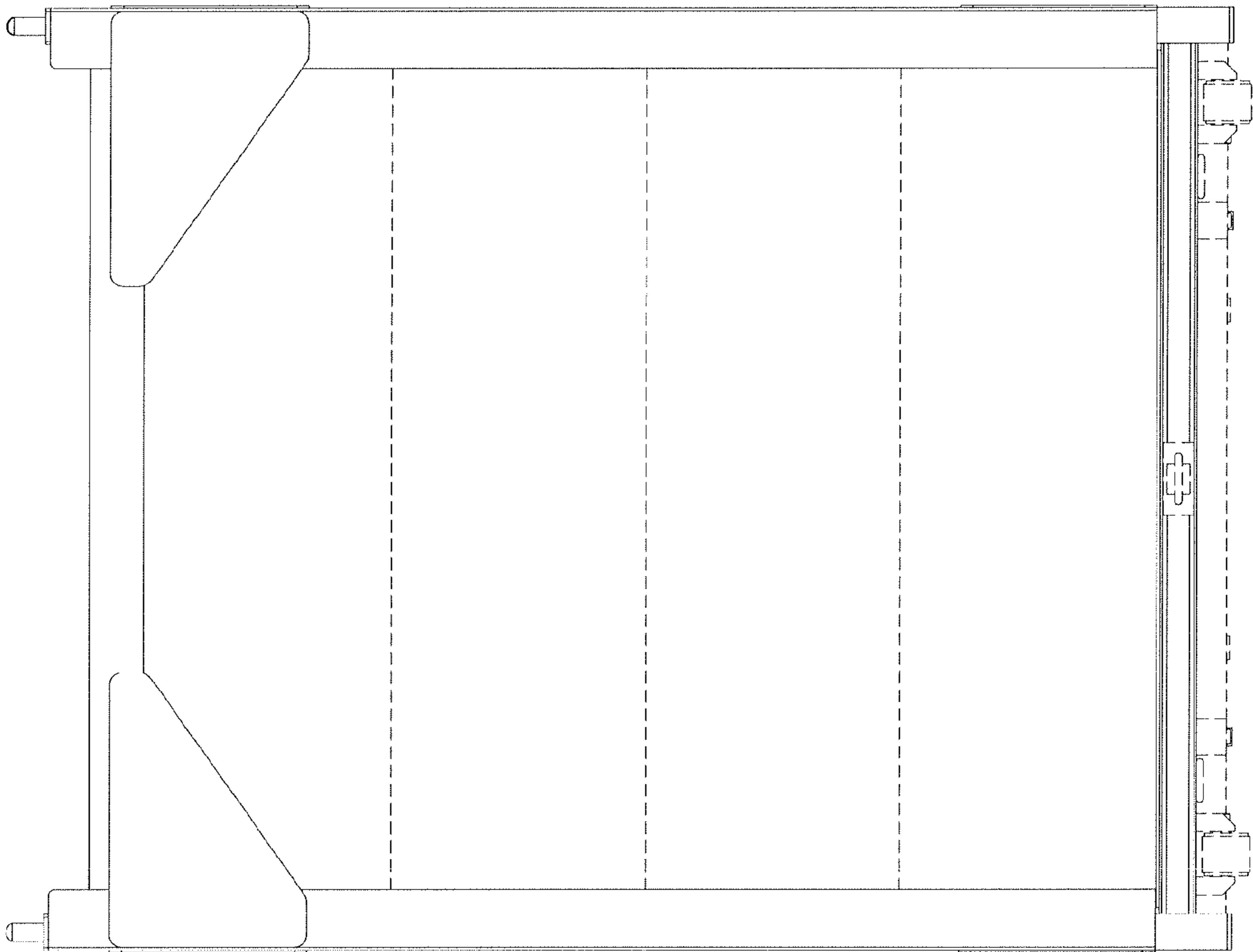
*Fig. 3.*

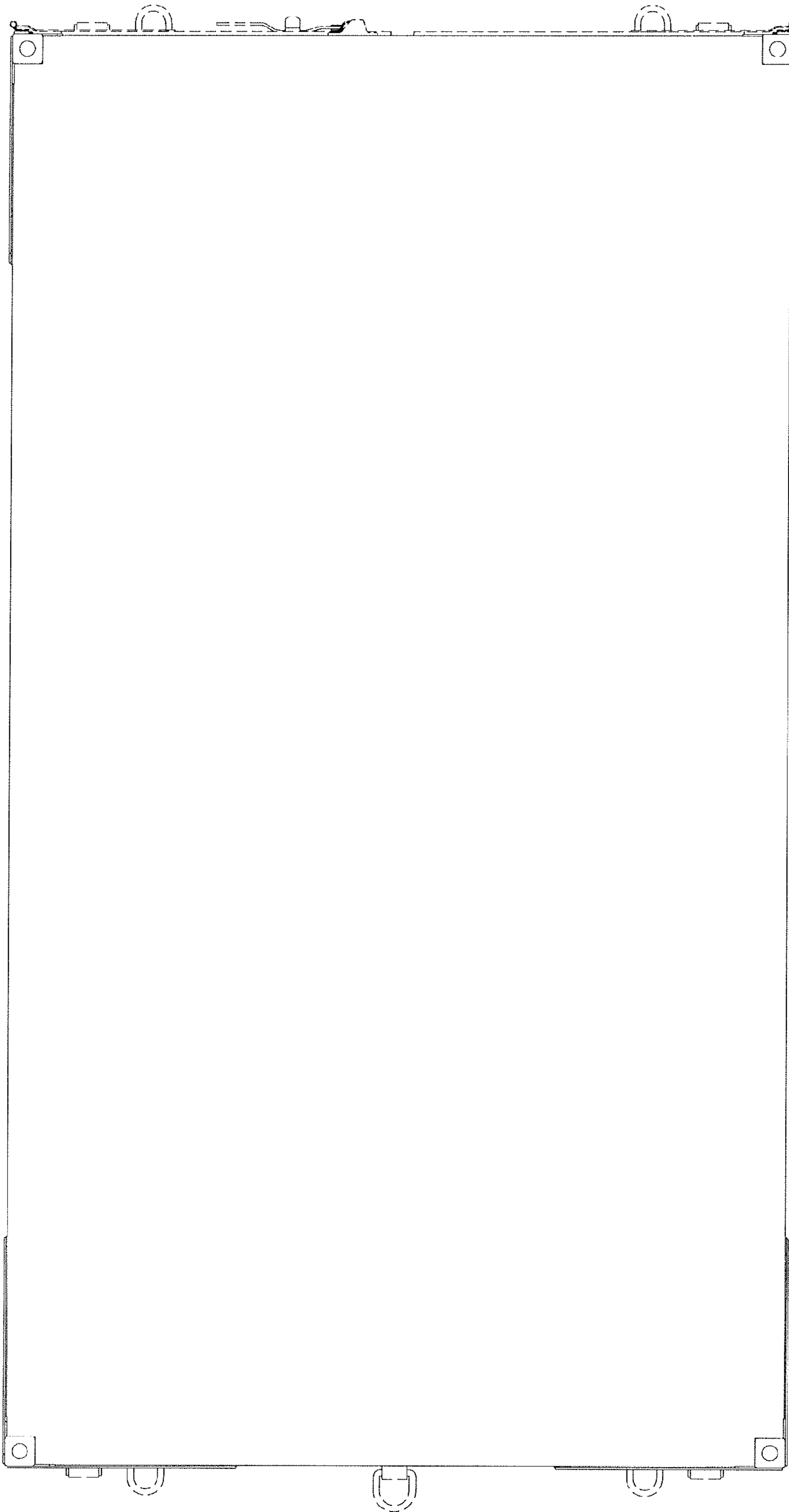


*Fig. 4.*

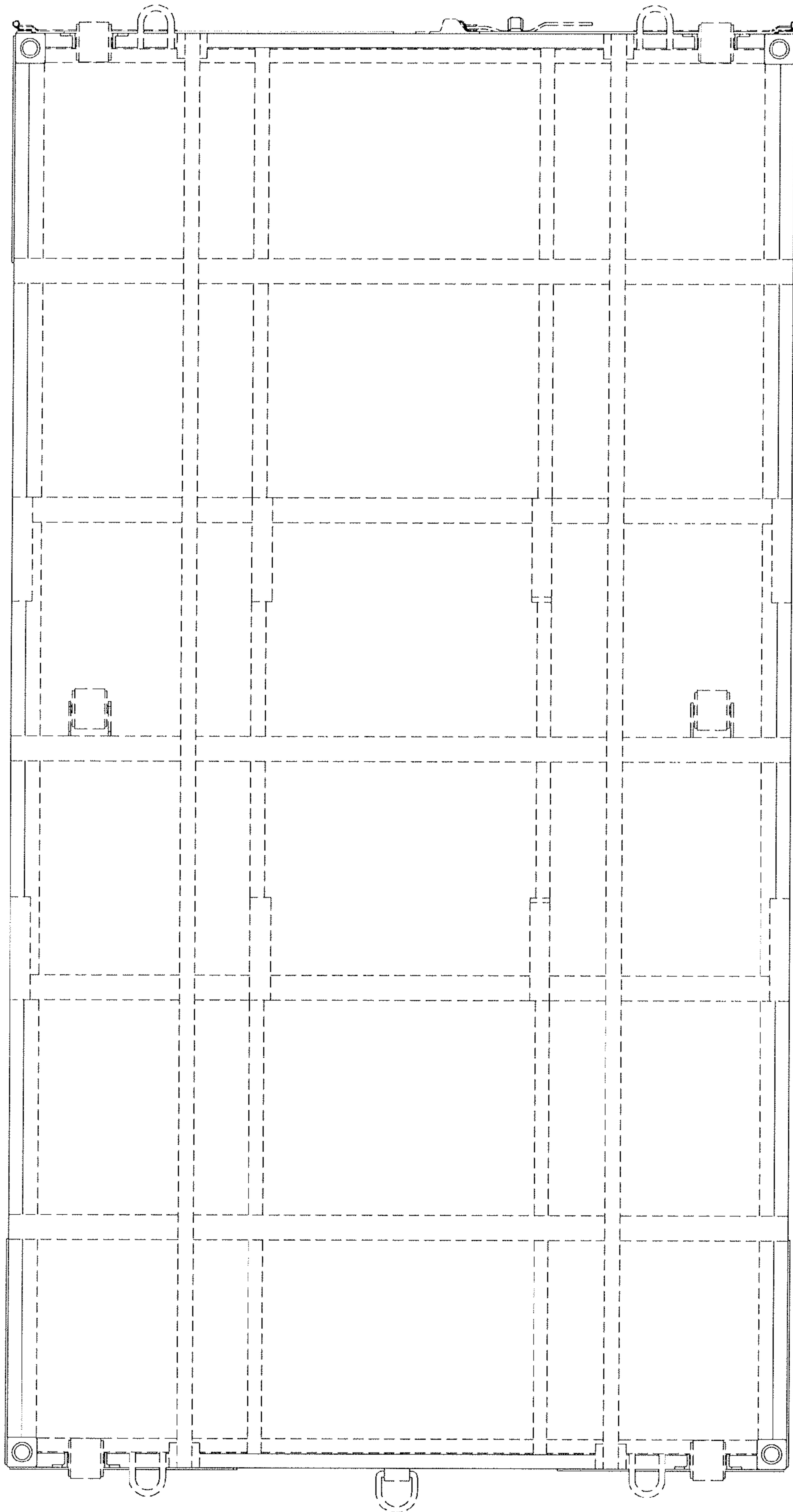


*Fig. 5.*



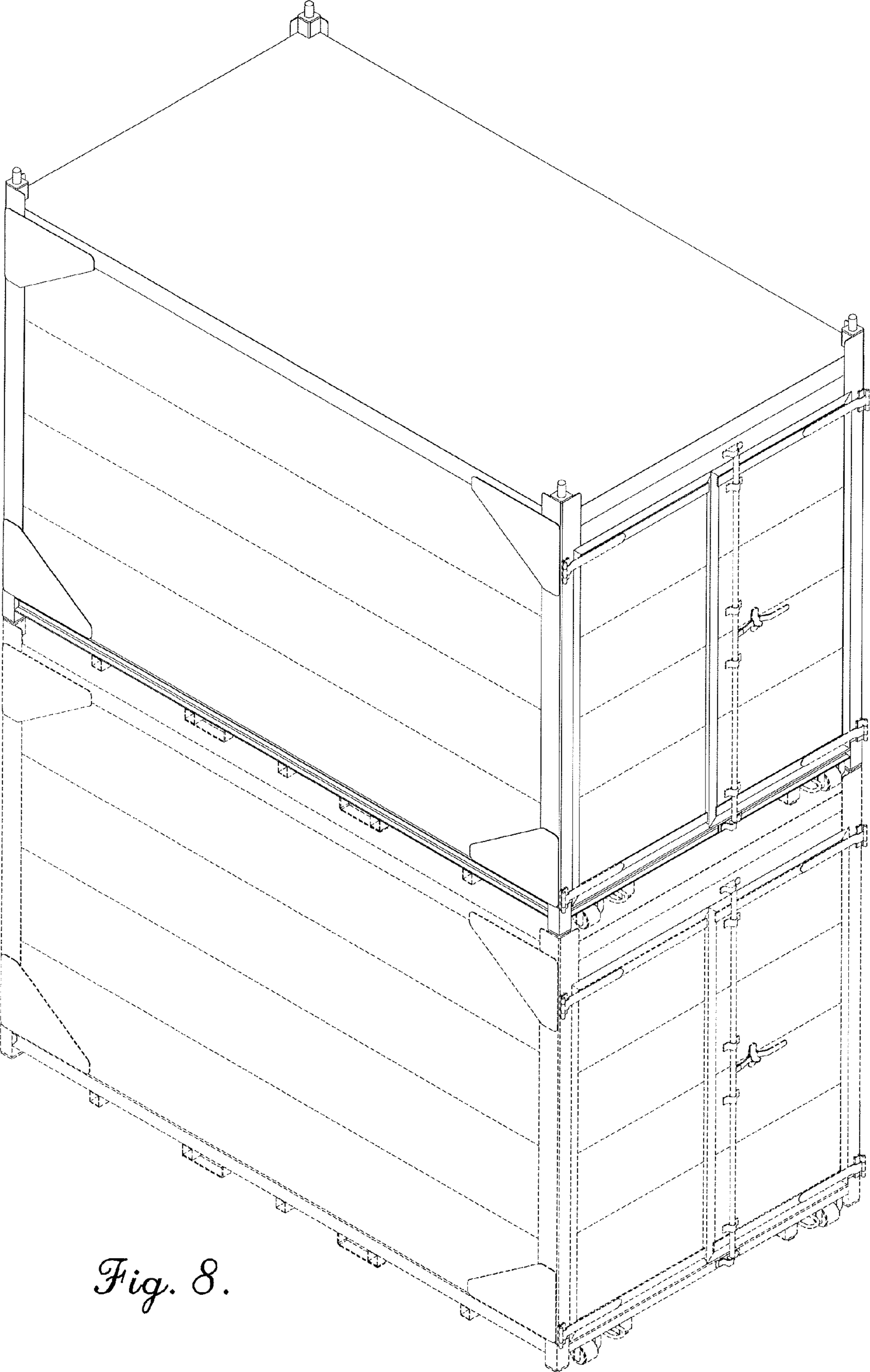


*Fig. 6.*



*Fig. 7.*





*Fig. 8.*