



US00D594231S

(12) **United States Design Patent**  
**Zorzo**

(10) **Patent No.:** **US D594,231 S**  
(45) **Date of Patent:** **\*\* Jun. 16, 2009**

(54) **BOX AND DISPENSER FOR  
PRE-MOISTENED WIPES**

(76) Inventor: **Renato Zorzo**, Via Ronca 17, Onara di  
Tombolo, PD (IT) 1-35010

(\*\*) Term: **14 Years**

(21) Appl. No.: **29/286,426**

(22) Filed: **May 4, 2007**

(51) **LOC (9) CL.** ..... **03-01**

(52) **U.S. CL.** ..... **D3/318**

(58) **Field of Classification Search** ..... D3/318,  
D3/272, 273, 281, 291, 293, 294, 325; D9/432;  
220/252, 263

See application file for complete search history.

(56) **References Cited**

**U.S. PATENT DOCUMENTS**

D326,559 S *	6/1992	Szablak et al.	.....	D3/281
D327,292 S *	6/1992	Klodt	.....	D19/75
D364,426 S *	11/1995	Bucaccio	.....	D19/75
D368,162 S *	3/1996	Miller	.....	D3/323
D373,953 S *	9/1996	Gale	.....	D9/425
D414,606 S *	10/1999	Sun	.....	D3/276
D482,834 S *	11/2003	Bennett	.....	D34/11
D495,950 S *	9/2004	Cotert et al.	.....	D9/416
D511,624 S *	11/2005	Rosine et al.	.....	D3/273
D531,028 S *	10/2006	Weiss et al.	.....	D9/435
D553,359 S *	10/2007	Johansen	.....	D3/276

D576,035 S \* 9/2008 Perry et al. .... D9/435

\* cited by examiner

*Primary Examiner*—Holly H Baynham

*Assistant Examiner*—Sheryl Lane

(74) *Attorney, Agent, or Firm*—QuickPatents, Inc.; Kevin Prince

(57) **CLAIM**

I claim the ornamental design for a box and dispenser for pre-moistened wipes, as shown and described.

**DESCRIPTION**

FIG. 1 is a right side perspective view of a box and dispenser for pre-moistened wipes, showing my new design;

FIG. 2 is a front view perspective view of the invention;

FIG. 3 is a rear elevational view of the invention;

FIG. 4 is a left-side elevational view of the invention, the right-side elevational view being a mirror image thereof;

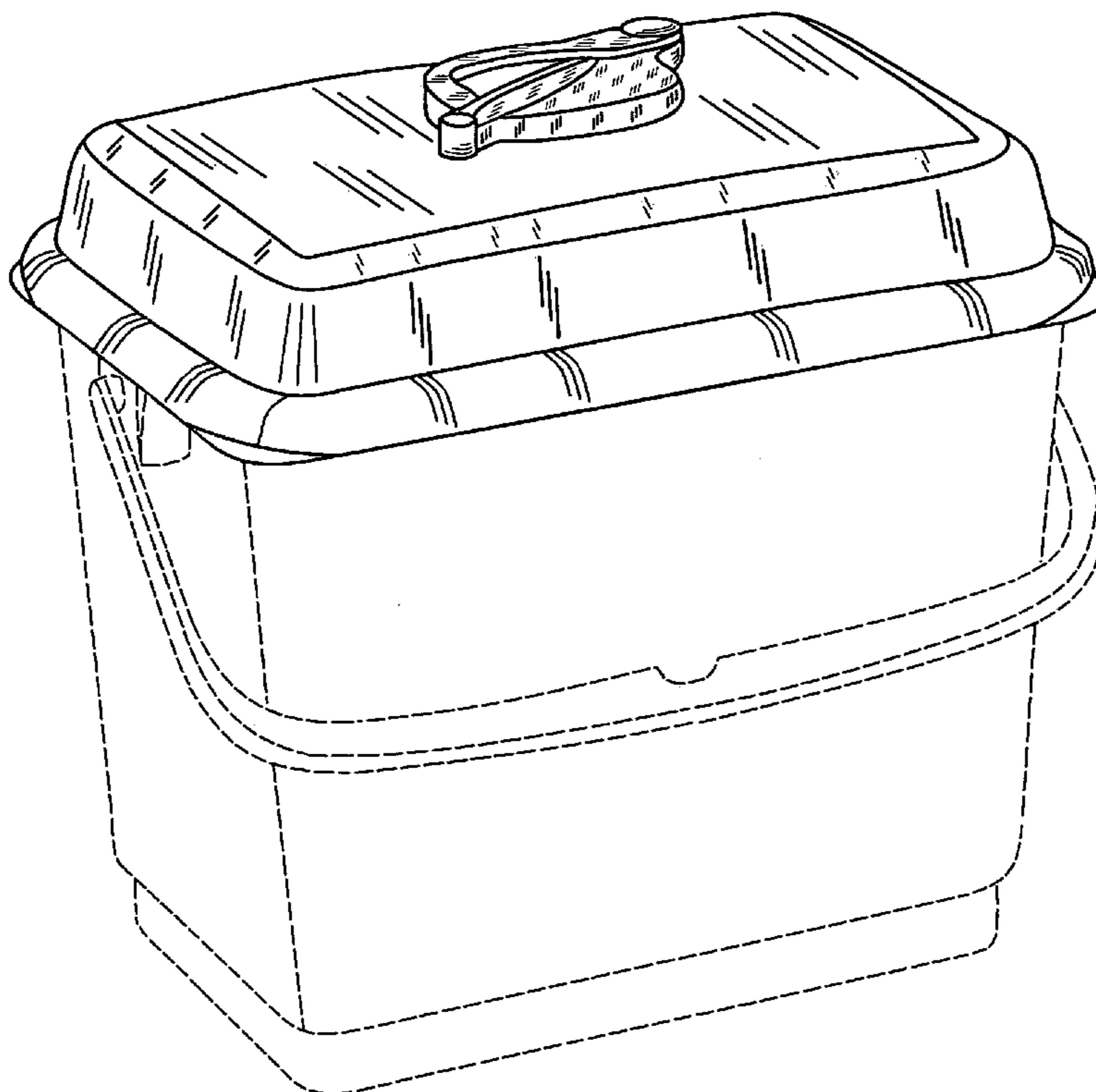
FIG. 5 is a top plan view of the invention;

FIG. 6 is a bottom plan view of the invention; and,

FIG. 7 is a left side perspective view of a box and dispenser for pre-moistened wipes, showing my new design.

The broken lines showing a container and handle in the figures are included for the purpose of illustrating the invention in-use, and forms no part of the claimed design.

**1 Claim, 7 Drawing Sheets**



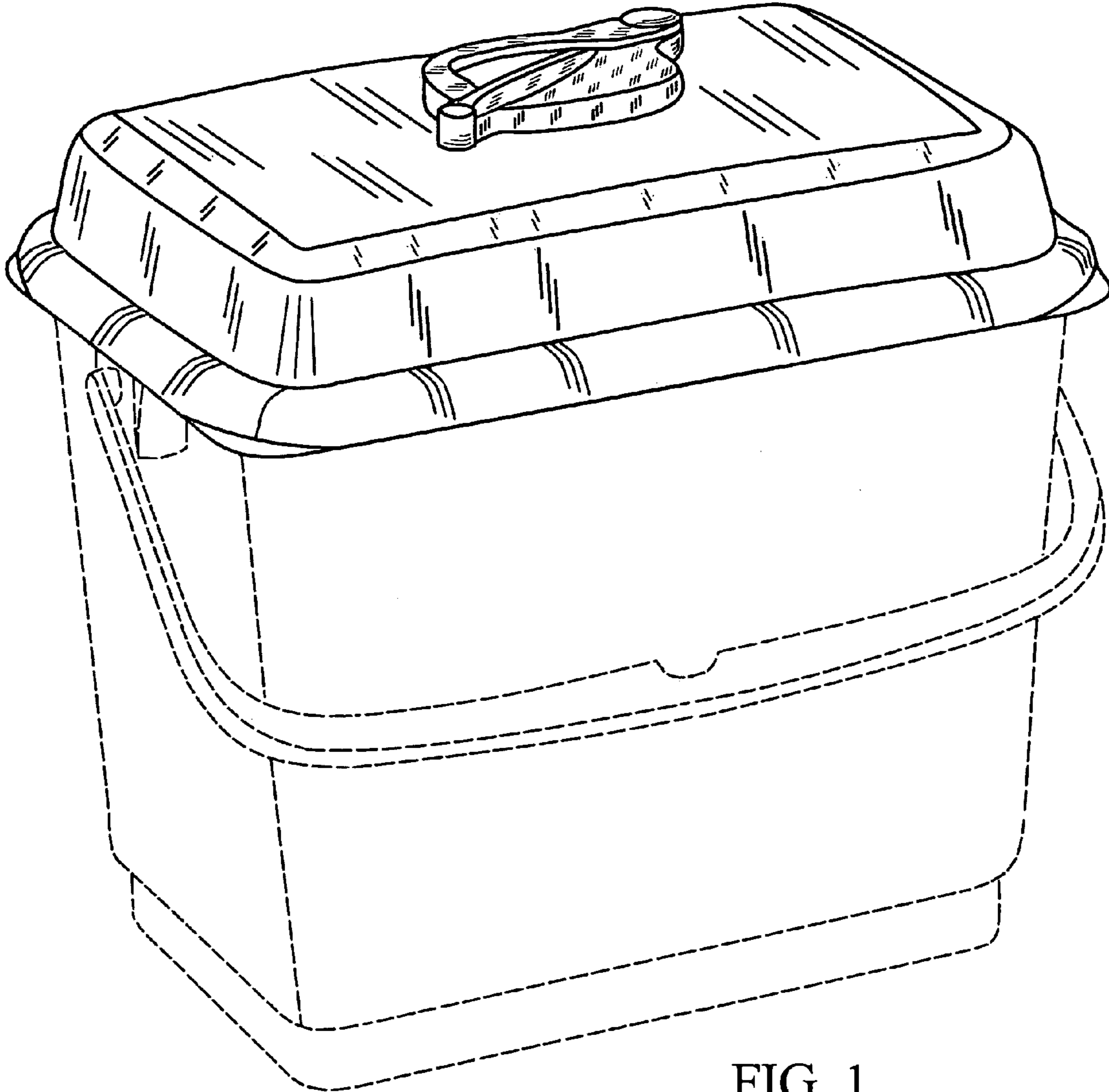


FIG. 1

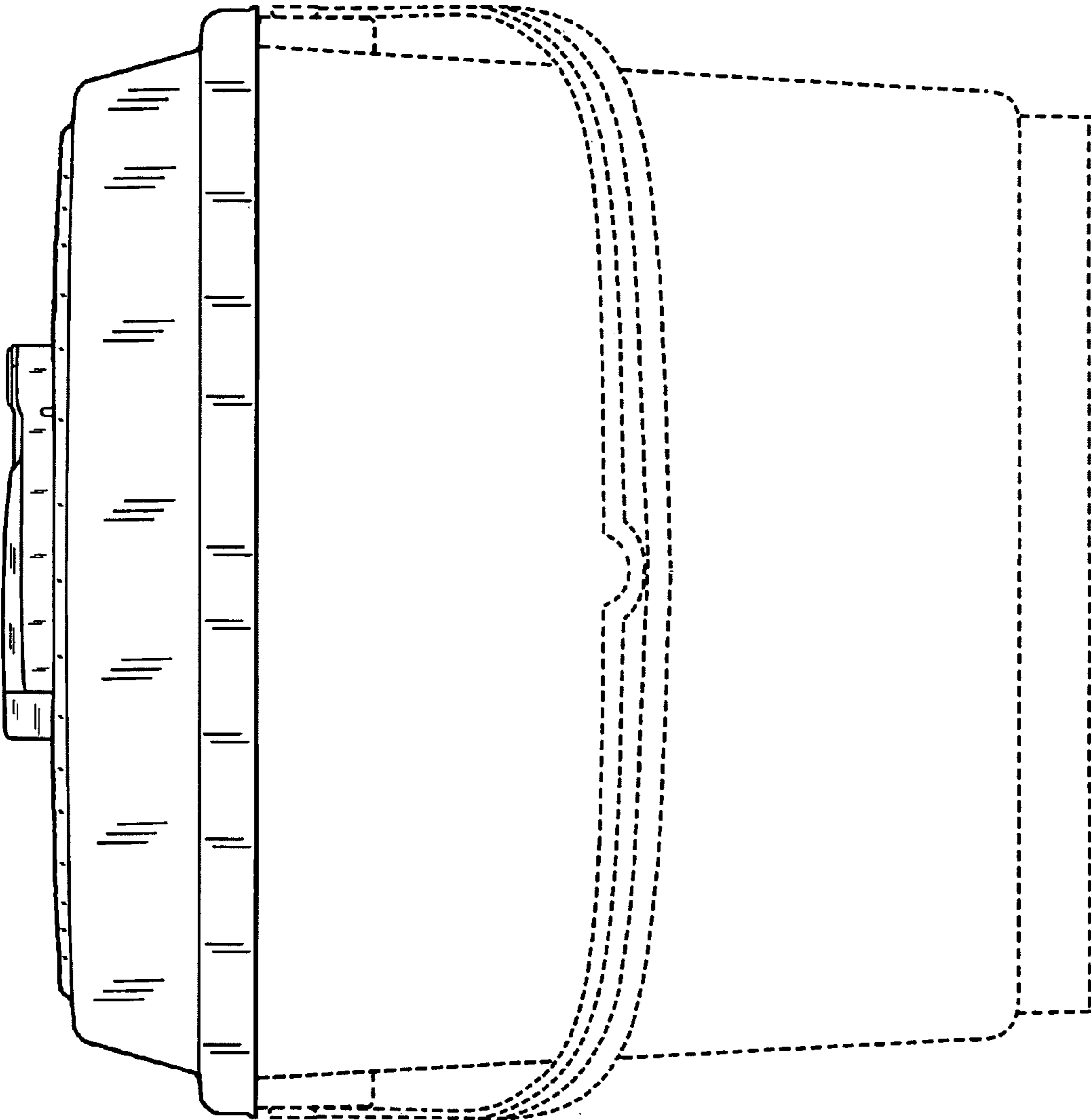


FIG. 2

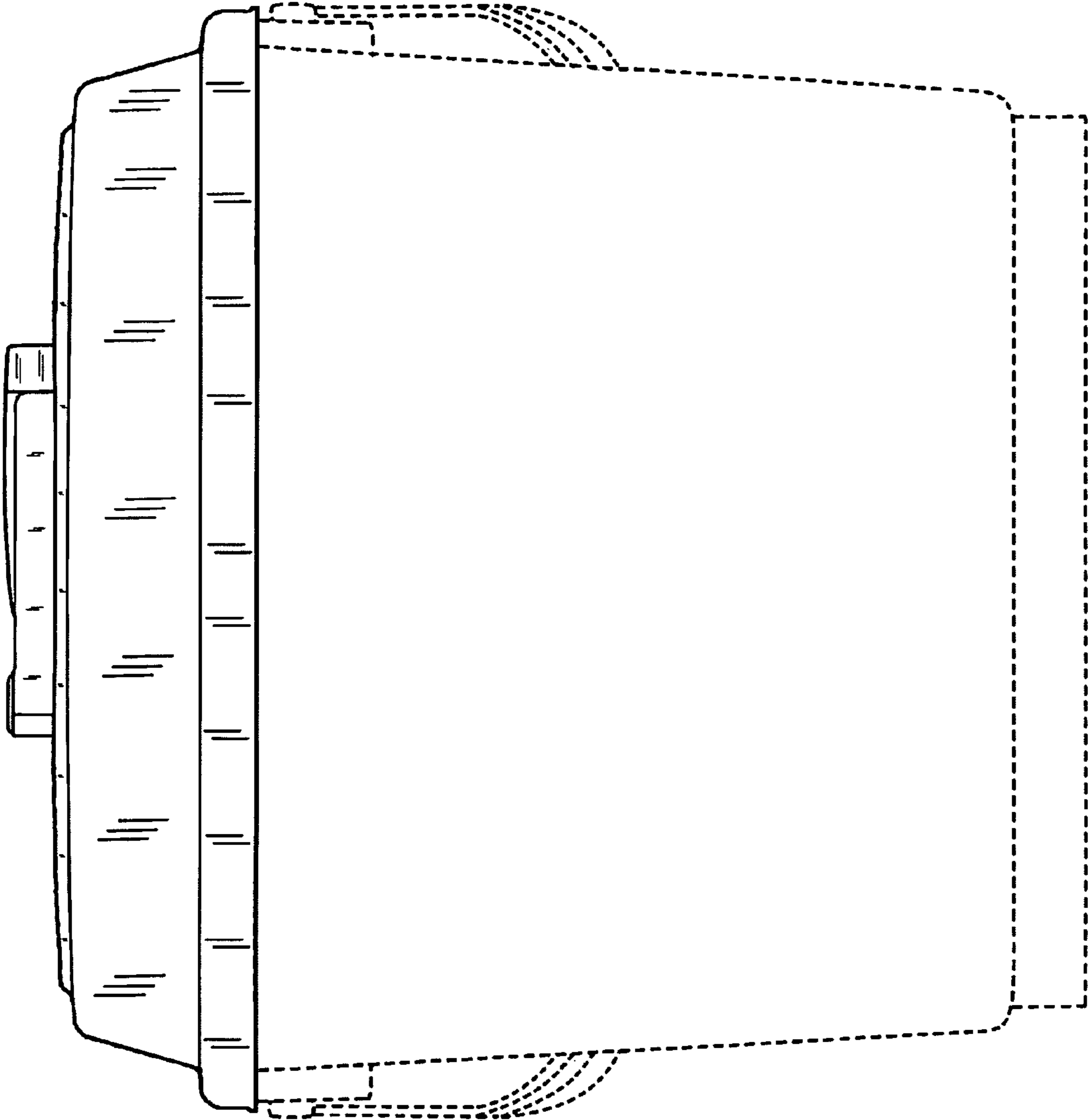


FIG. 3

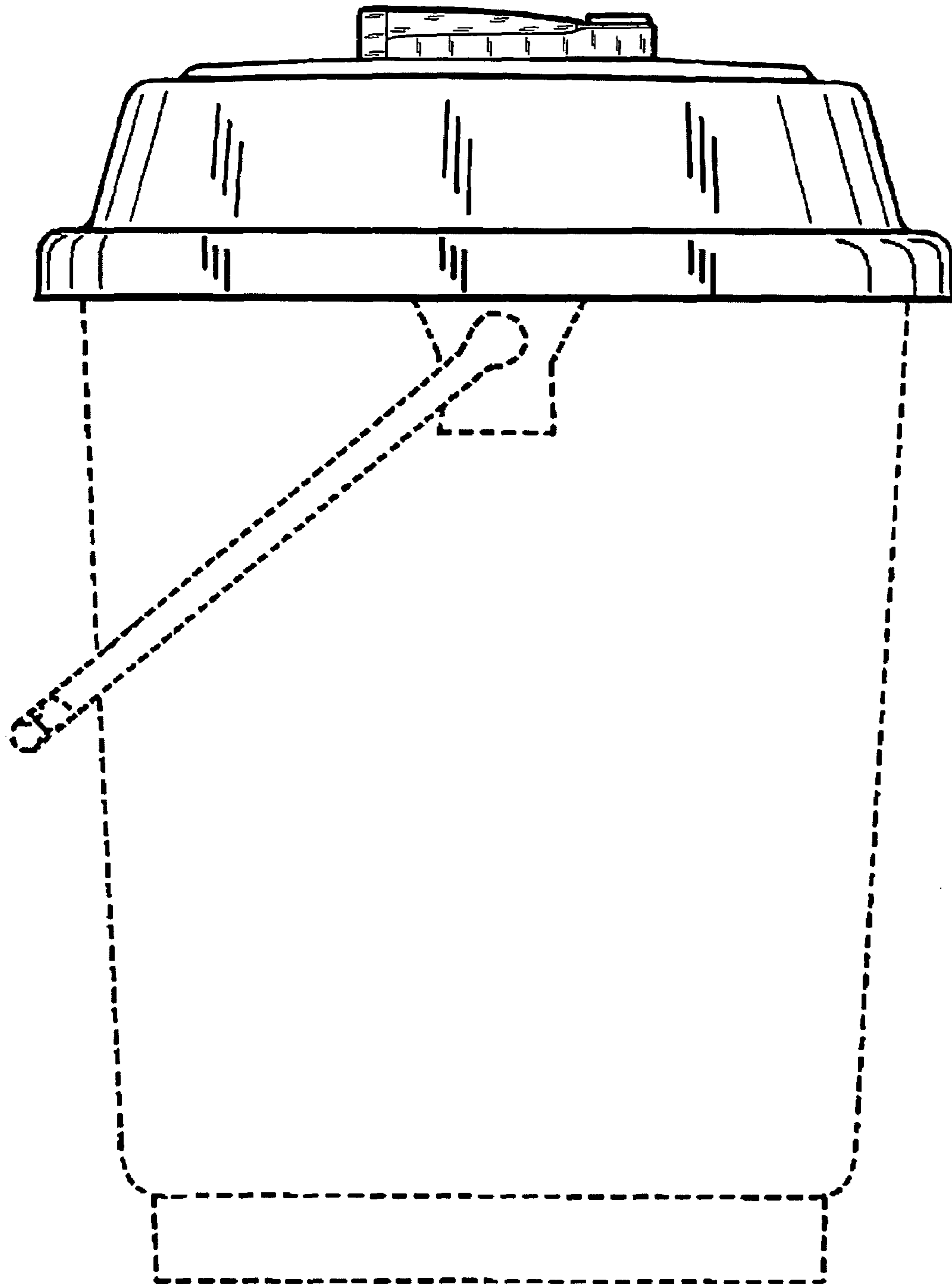


FIG. 4

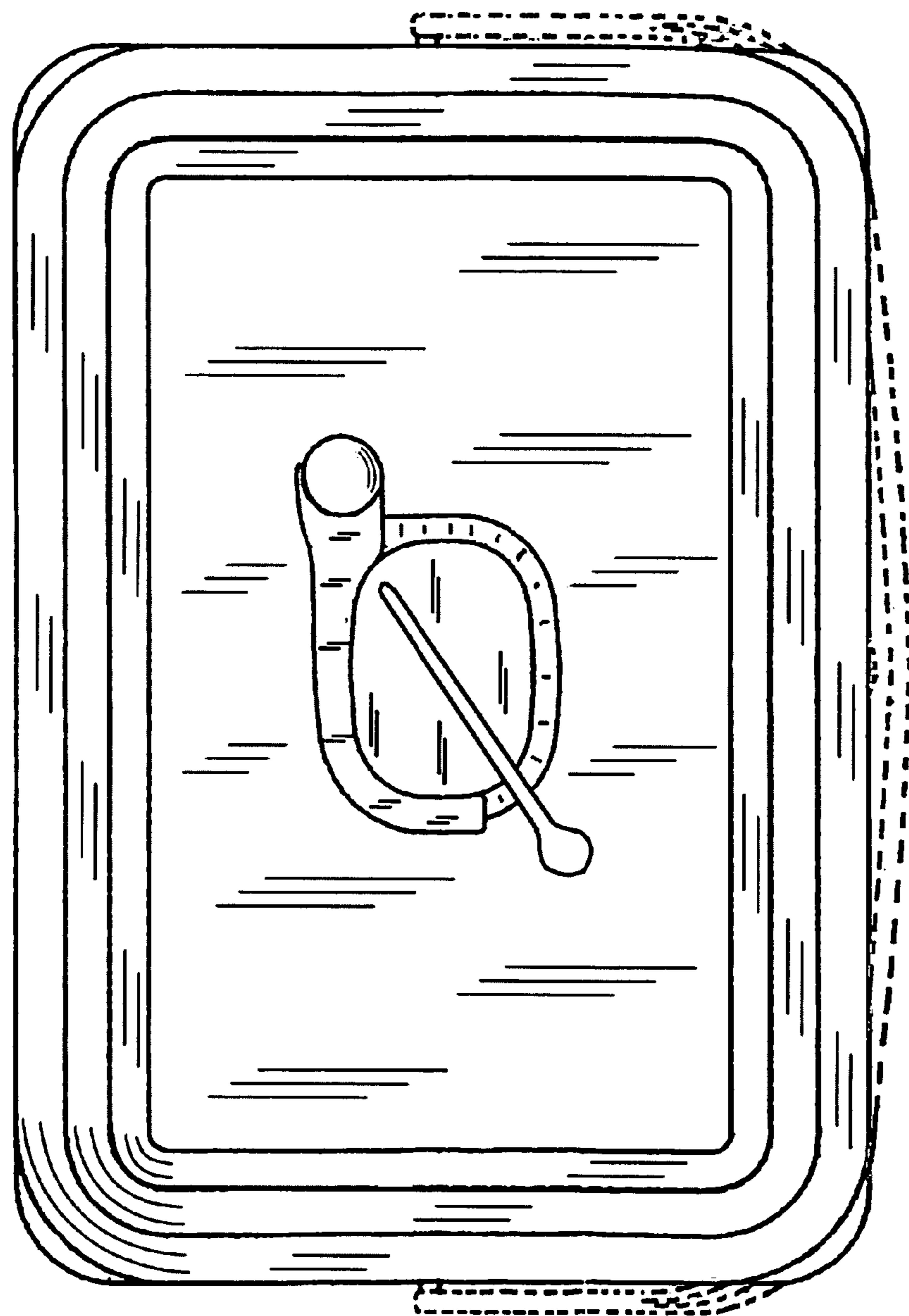


FIG. 5

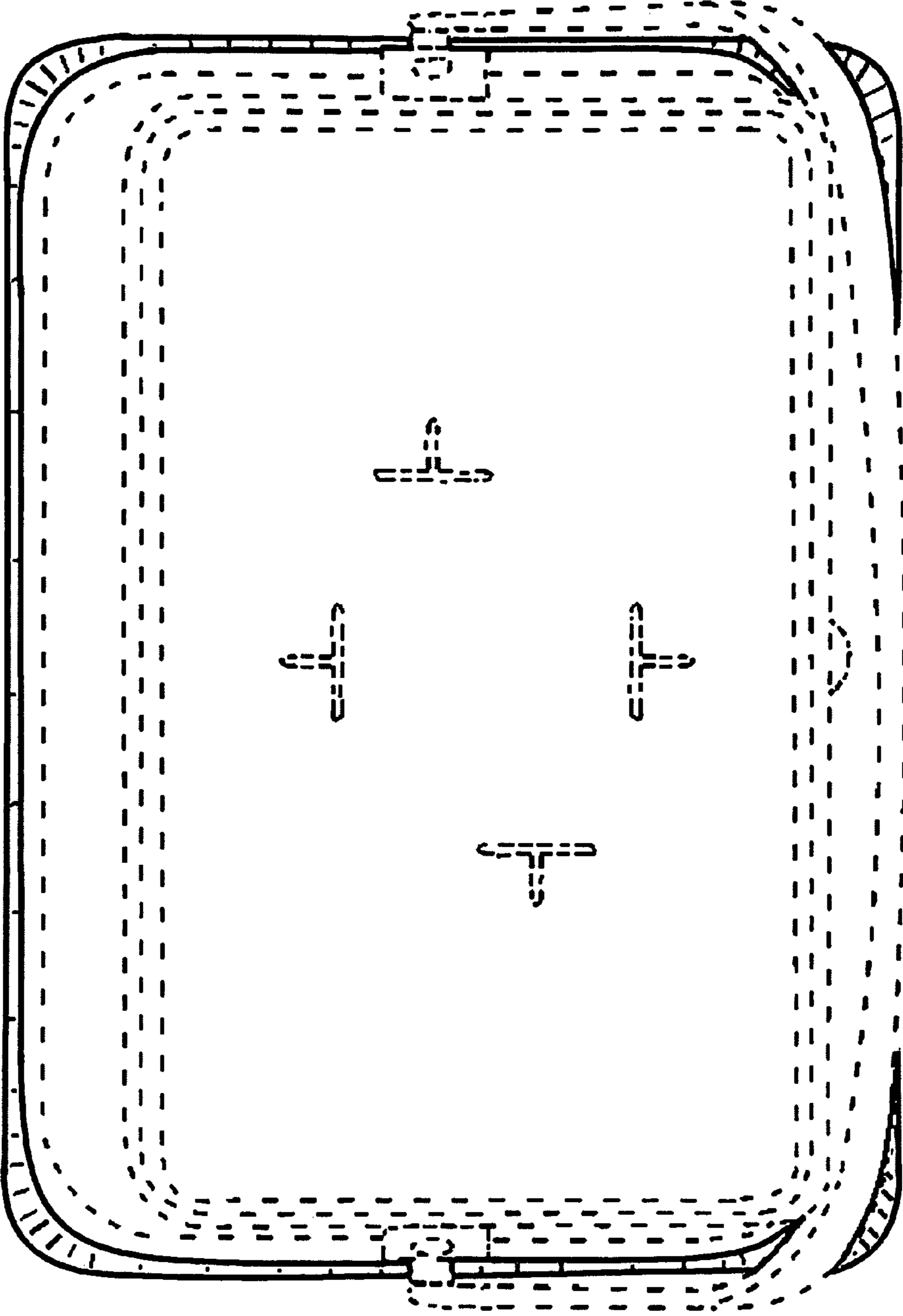


FIG. 6

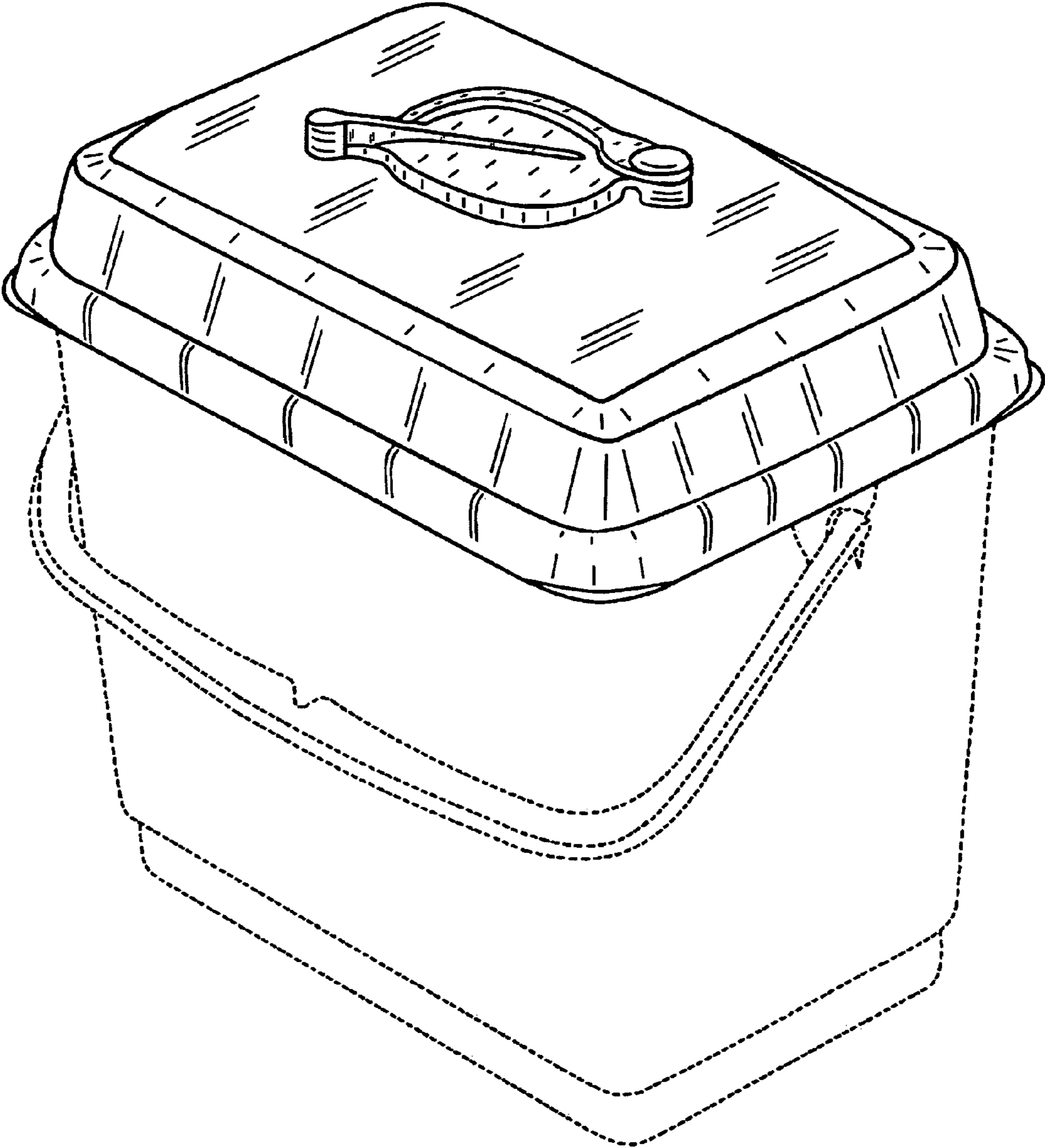


FIG. 7