



US00D594230S

(12) **United States Design Patent**  
**Barkdoll et al.**

(10) **Patent No.:** **US D594,230 S**  
(45) **Date of Patent:** **\*\* Jun. 16, 2009**

(54) **TRAY OVER WIRE MOUNTING**

(75) Inventors: **Patrick J. Barkdoll**, Pecatonica, IL  
(US); **Thomas E. Valiulis**, Rockford, IL  
(US)

(73) Assignee: **Southern Imperial, Inc.**, Rockford, IL  
(US)

(\*\*) Term: **14 Years**

(21) Appl. No.: **29/323,225**

(22) Filed: **Aug. 21, 2008**

(51) **LOC (9) Cl.** ..... **03-01**

(52) **U.S. Cl.** ..... **D3/304**

(58) **Field of Classification Search** ..... D3/304-315;  
D19/75, 78, 86, 90, 91, 99, 100; D6/566,  
D6/567, 569, 512, 553; 211/10, 11, 13.1,  
211/45, 50, 52, 55, 87.01, 90.03, 126.9, 126.13,  
211/88.01; 220/456

See application file for complete search history.

(56) **References Cited**

**U.S. PATENT DOCUMENTS**

D139,208 S \* 10/1944 Bovers ..... D6/471

(Continued)

**OTHER PUBLICATIONS**

Southern Imperial, Inc., Dump Bins RPDMP-129555 @ Southern Imperial, 2 pages, pages from a website, date last visited Jun. 17, 2008, [http://shop.southernimperial.com/Dump\\_Bins\\_RPDMP-129555\\_P7764C77.cfm](http://shop.southernimperial.com/Dump_Bins_RPDMP-129555_P7764C77.cfm).

Southern Imperial, Inc., Dump Bins RPDMP-65595 @ Southern Imperial, 2 pages, pages from a website, date last visited Jun. 17, 2008, [http://shop.southernimperial.com/Dump\\_Bins\\_RPDMP-65595\\_P1934C77.cfm](http://shop.southernimperial.com/Dump_Bins_RPDMP-65595_P1934C77.cfm).

Southern Imperial, Inc., Baskets R40BSKE2410K @ Southern Imperial, 2 pages, pages from a website, date last visited Jun. 17, 2008, [http://shop.southernimperial.com/Baskets\\_R40BSKE2410K\\_P1345C69.cfm](http://shop.southernimperial.com/Baskets_R40BSKE2410K_P1345C69.cfm).

Southern Imperial, Inc., Baskets R40-1728-A @ Southern Imperial, 2 pages, pages from a website, date last visited Jun. 17, 2008, [http://shop.southernimperial.com/Baskets\\_R40-1728-A\\_P1343C69.cfm](http://shop.southernimperial.com/Baskets_R40-1728-A_P1343C69.cfm).

(Continued)

*Primary Examiner*—T. Chase Nelson  
*Assistant Examiner*—Eric L Goodman

(74) *Attorney, Agent, or Firm*—Reinhart Boerner Van Deuren P.C.

(57) **CLAIM**

The ornamental design for a tray over wire mounting, as shown and described.

**DESCRIPTION**

FIG. 1 is an isometric view of a Tray Over Wire Mounting showing a first embodiment of the present invention;

FIG. 2 is a rear view of the tray shown in FIG. 1;

FIG. 3 is a bottom view of the tray shown in FIG. 1;

FIG. 4 is a top view of the tray shown in FIG. 1;

FIG. 5 is a front view of the tray shown in FIG. 1;

FIG. 6 is a right-side view of the tray shown in FIG. 1;

FIG. 7 is left-side view of the tray shown in FIG. 1; and,

FIG. 8 is an isometric view of a second embodiment of the tray over wire mounting, the sole difference from the first embodiment being that it is a transparent tray as opposed to an opaque tray;

FIG. 9 is a rear view of the tray shown in FIG. 8;

FIG. 10 is a bottom view of the tray shown in FIG. 8;

FIG. 11 is a top side view of the tray shown in FIG. 8;

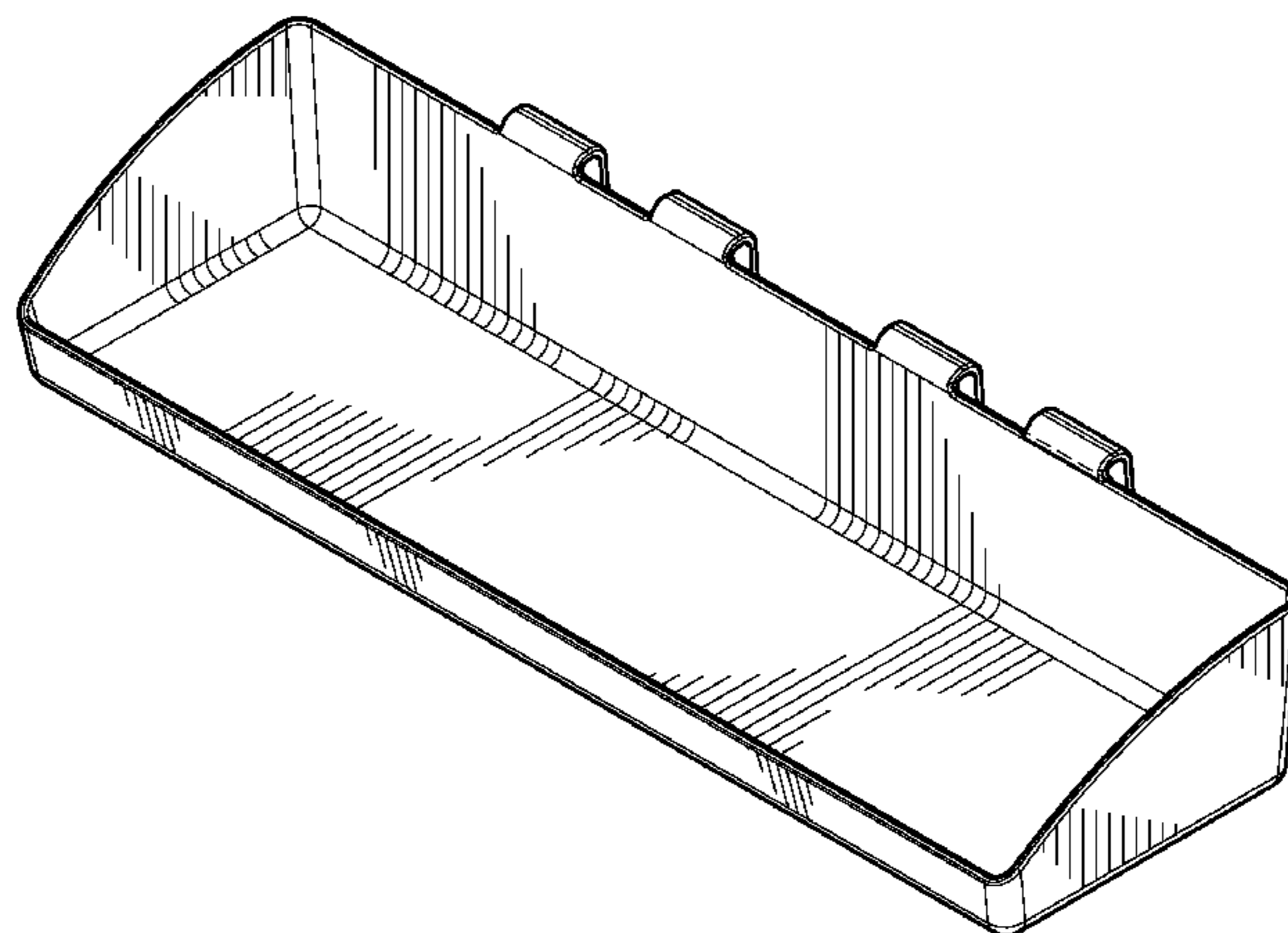
FIG. 12 is a front side view of the tray shown in FIG. 8;

FIG. 13 is a right-side view of the tray shown in FIG. 8; and,

FIG. 14 is a left-side view of the bin shown in FIG. 8.

The broken line showing of the ramp structures on the left and right hand sides is included for the purpose of illustrating portions of the article and forms no part of the claimed design.

**1 Claim, 8 Drawing Sheets**



U.S. PATENT DOCUMENTS

2,982,423	A *	5/1961	Handler et al. ....	211/126.1
3,647,078	A *	3/1972	Fortunato .....	211/134
4,151,917	A *	5/1979	Pugh .....	211/88.01
D305,190	S *	12/1989	Winter et al. ....	D6/567
5,727,696	A	3/1998	Valiulis	
D420,798	S *	2/2000	Belokin et al. ....	D3/304
D485,305	S *	1/2004	Sheldon et al. ....	D19/75
6,726,035	B2	4/2004	Zadak	
D493,995	S *	8/2004	Chen et al. ....	D6/553
6,892,875	B2 *	5/2005	DeVolpi .....	206/224
D508,167	S *	8/2005	Anderson et al. ....	D3/304
D563,136	S *	3/2008	Kramer .....	D6/553
D578,760	S *	10/2008	Brown et al. ....	D3/304
D578,815	S *	10/2008	Dominique et al. ....	D6/566
D582,190	S *	12/2008	Valiulis et al. ....	D6/567
D584,056	S *	1/2009	Ghiorghie .....	D3/306
2006/0022100	A1 *	2/2006	Lan .....	248/220.21
2006/0196841	A1 *	9/2006	Price et al. ....	211/86.01
2009/0032480	A1 *	2/2009	Irish .....	211/13.1

OTHER PUBLICATIONS

Southern Imperial, Inc., Dump Bins RPDMP-127032 @ Southern Imperial, 2 pages, pages from a website, date last visited Jun. 17, 2008, [http://shop.southernimperial.com/Dump\\_Bins\\_RPDMP-127032\\_P7765C77.cfm](http://shop.southernimperial.com/Dump_Bins_RPDMP-127032_P7765C77.cfm).

Southern Imperial, Inc., Wire Endcap Fastracks Displays R40-III-1BX @ Southern Imperial , 2 pages, pages from a website, date last visited Jun. 17, 2008, [http://shop.southernimperial.com/Wire\\_Endcap\\_Fastracks\\_Displays\\_P1632C70.cfm](http://shop.southernimperial.com/Wire_Endcap_Fastracks_Displays_P1632C70.cfm).

Southern Imperial, Inc., Endless Baskets R-9023045 @ Southern Imperial, 2 pages, pages printed from a website, date last visited Jun. 17, 2008, [http://shop.southernimperial.com/Endless\\_Baskets\\_R-9023045\\_P1445C76.cfm](http://shop.southernimperial.com/Endless_Baskets_R-9023045_P1445C76.cfm).

Southern Imperial, Inc., Wire Endcap Fastracks Displays R40-Baskets @ Southern Imperial, 2 pages, pages printed from a website, date last visited Jun. 17, 2008, [http://shopsouthernimperial.com/Wire\\_Endcap\\_Fastracks\\_Displays\\_P1614C70.CFM](http://shopsouthernimperial.com/Wire_Endcap_Fastracks_Displays_P1614C70.CFM).

Southern Imperial, Inc., Wire Endcap Fastracks Displays R40-Shelf @ Southern Imperial , 2 pages, pages printed from a website, date last visited Jun. 17, 2008, [http://shop.southernimperial.com/Wire\\_Endcap\\_Fastracks\\_Displays\\_P1623C70.cfm](http://shop.southernimperial.com/Wire_Endcap_Fastracks_Displays_P1623C70.cfm).

Southern Imperial, Inc., Wire Endcap Fastracks Displays R40-HC @ Southern Imperial, 2 pages, pages printed from a website, date last visited Jun. 17, 2008, [http://shop/southernimperial.com/Wire\\_Endcap\\_Fastracks\\_Displays\\_P1645C70.cfm](http://shop/southernimperial.com/Wire_Endcap_Fastracks_Displays_P1645C70.cfm).

U.S. Appl. No. 29/323,221, filed Aug. 21, 2008, Barkdoll et al.

U.S. Appl. No. 12/195,464, filed Aug. 21, 2008, Barkdoll et al.

\* cited by examiner

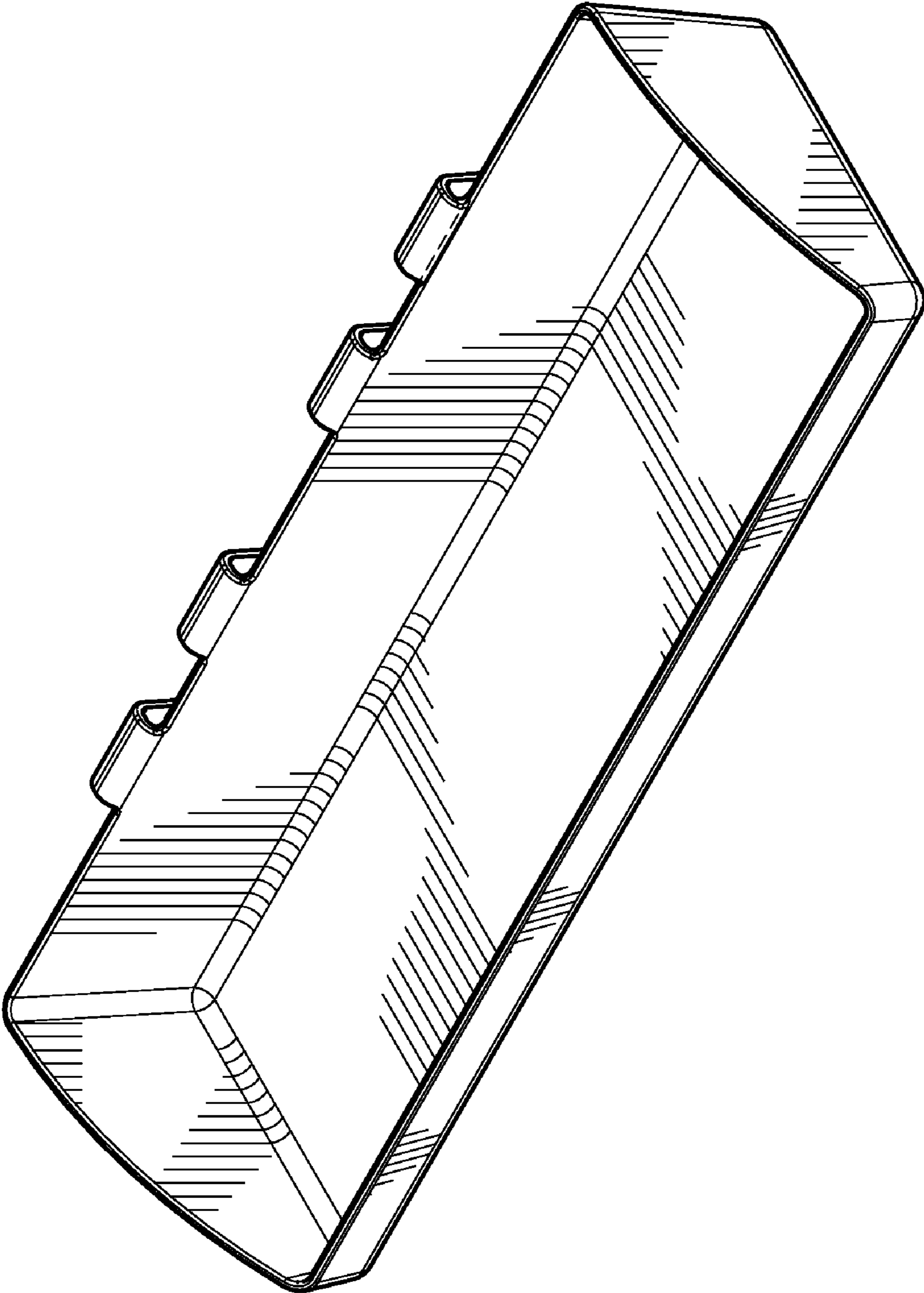


FIG. 1

FIG. 2

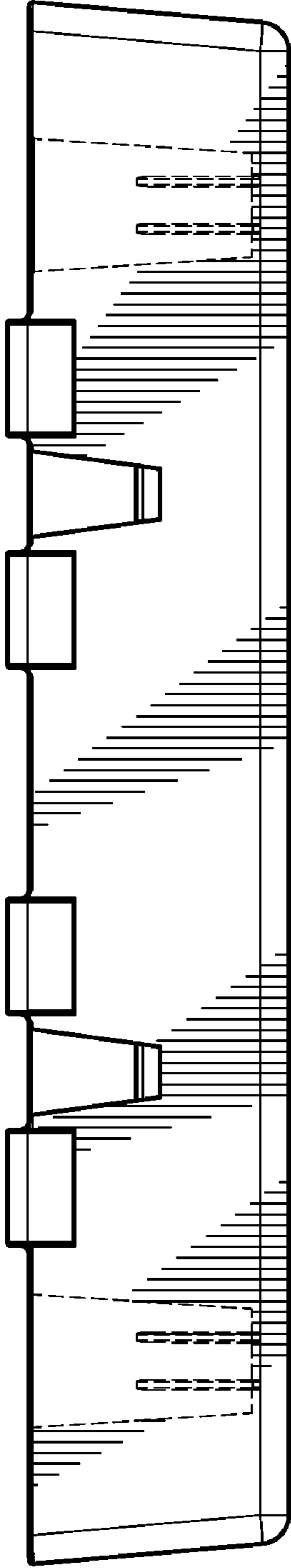
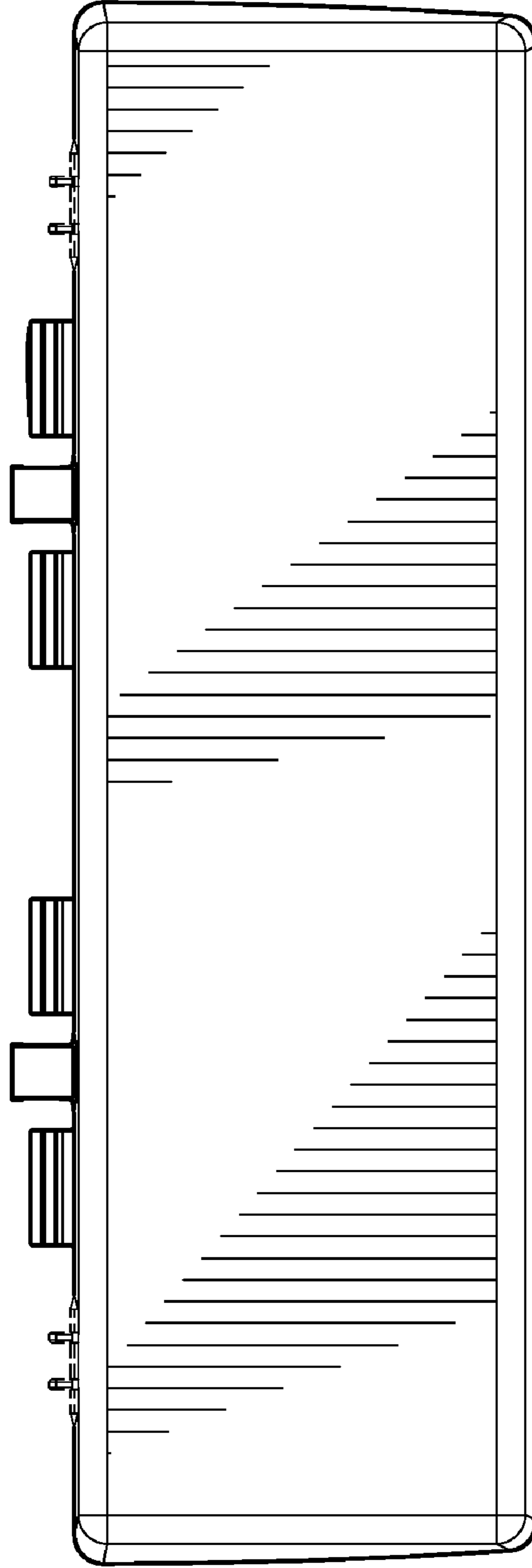


FIG. 3





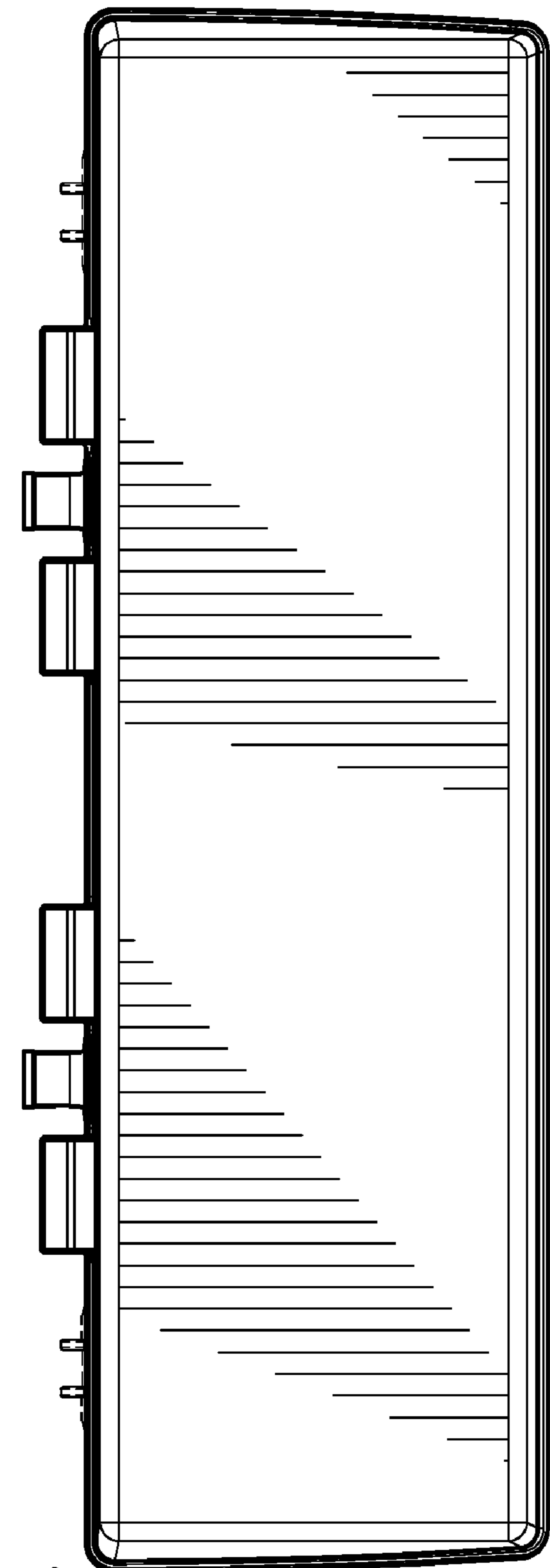


FIG. 4



FIG. 5

FIG. 7

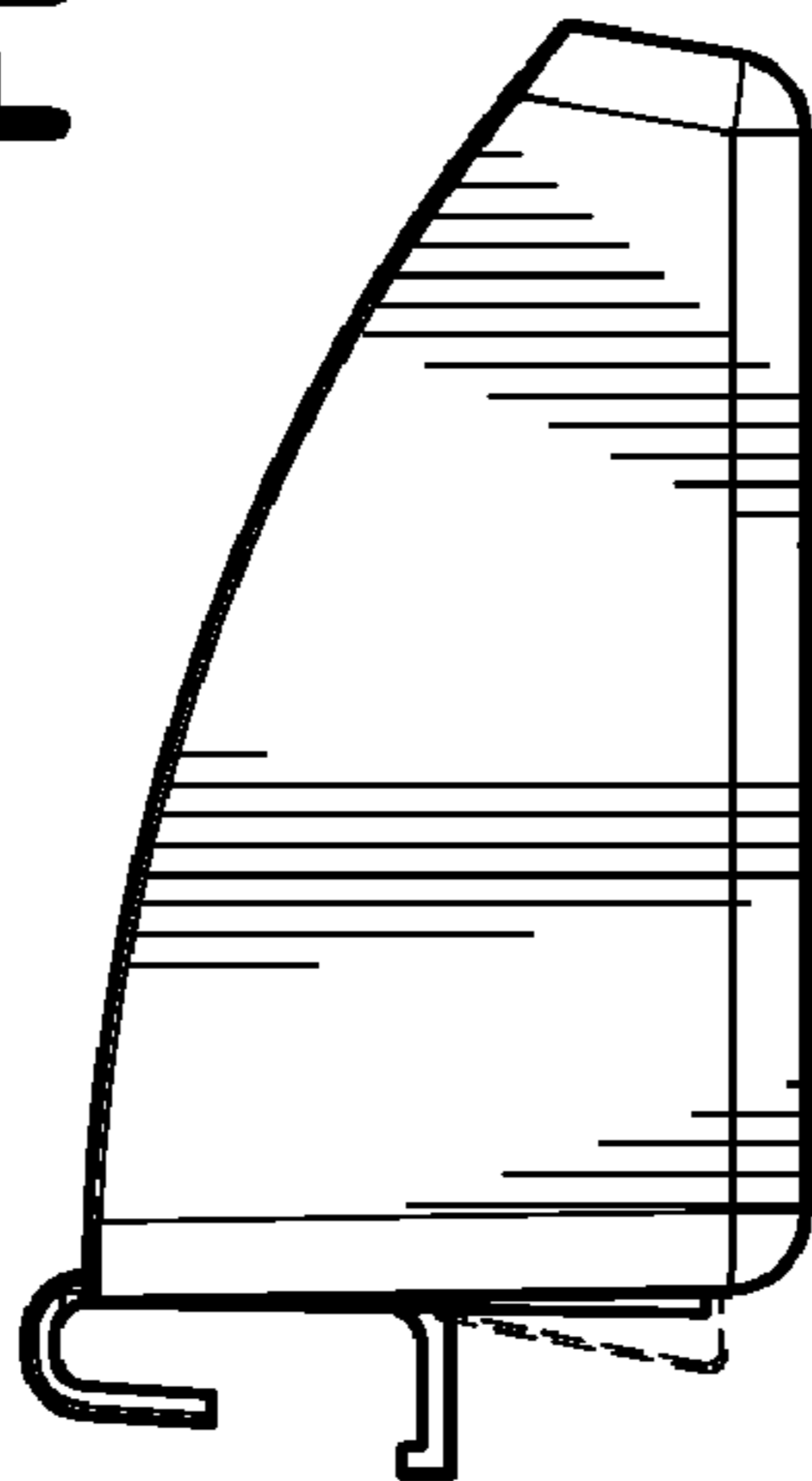
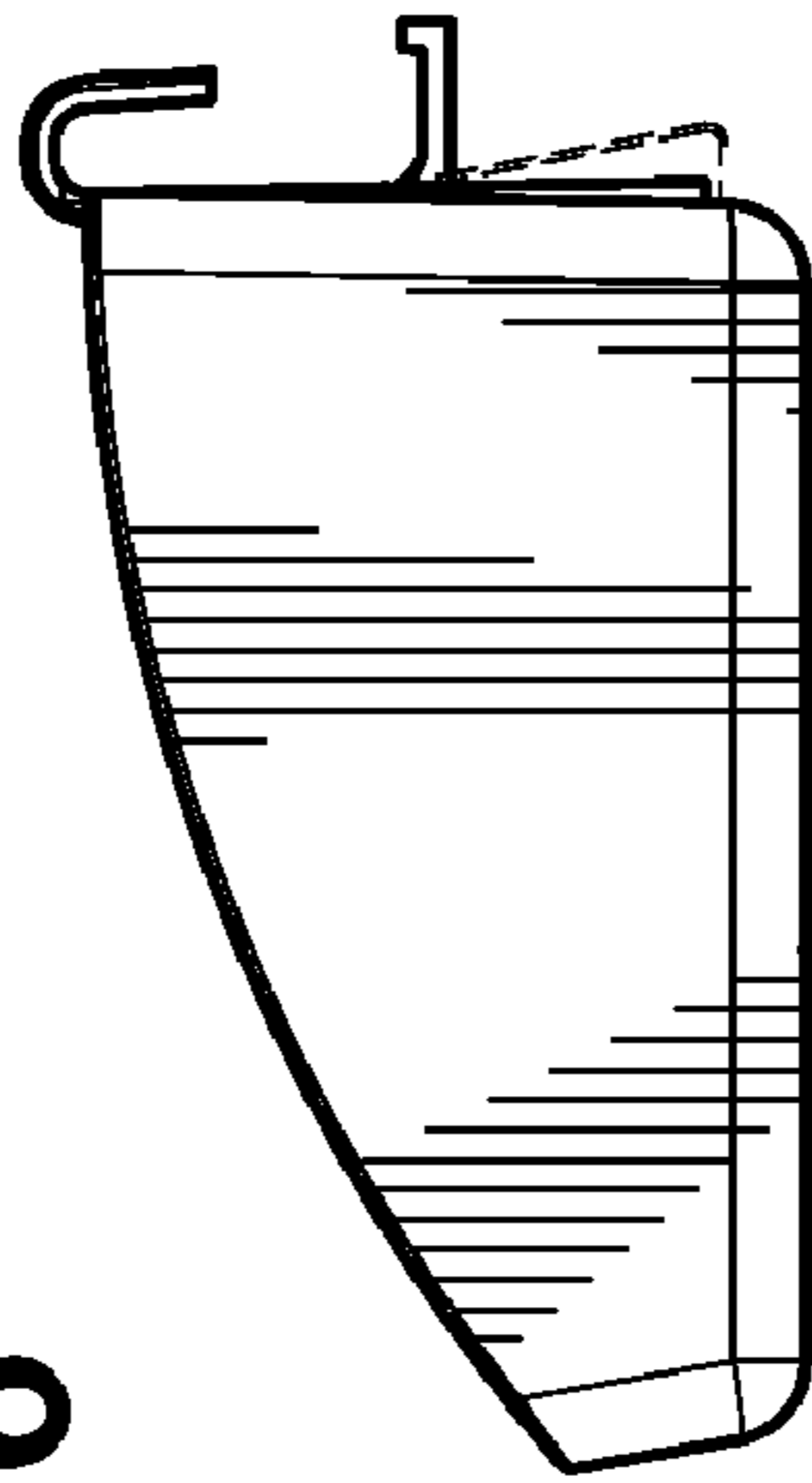


FIG. 6



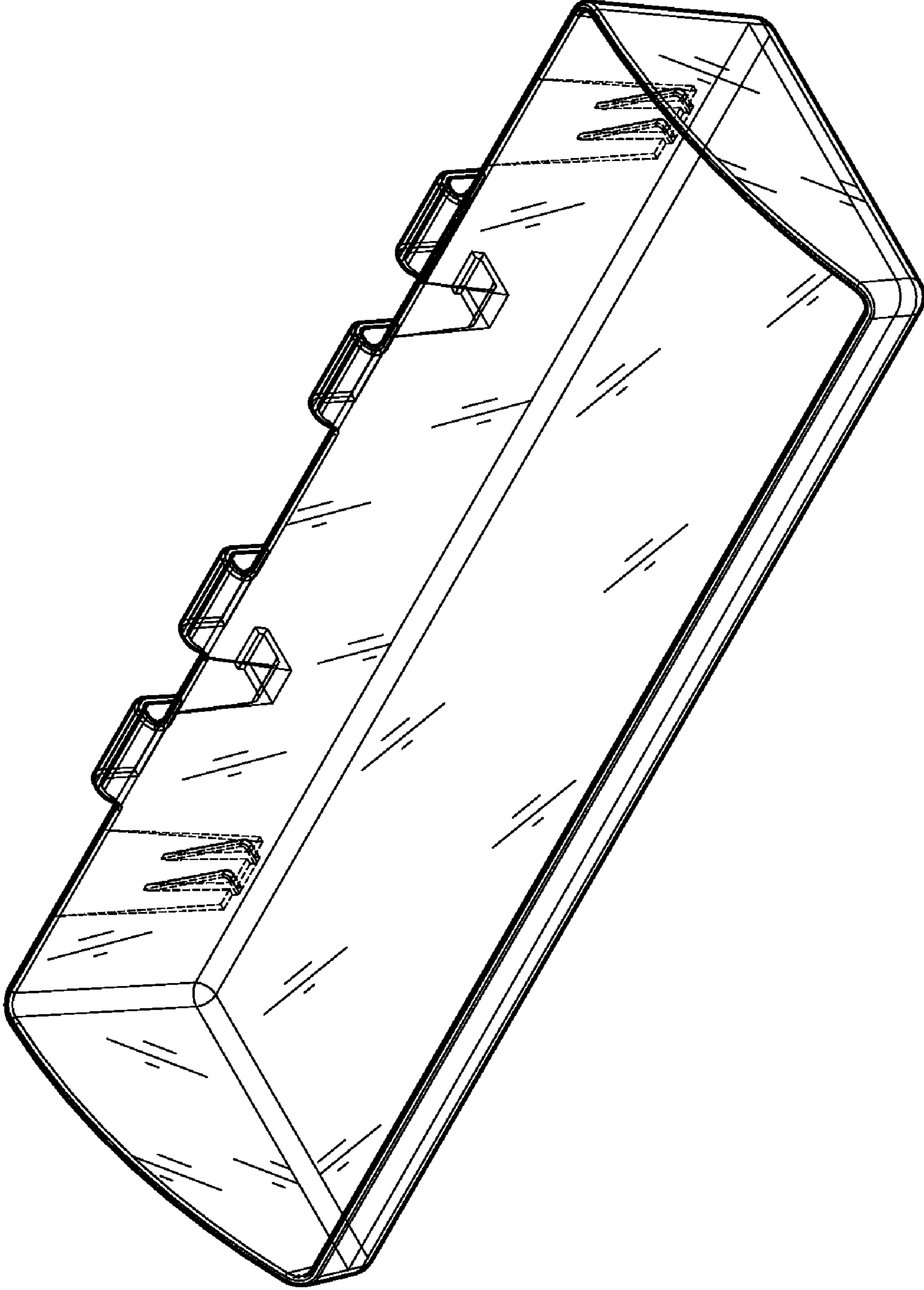


FIG. 8

FIG. 9

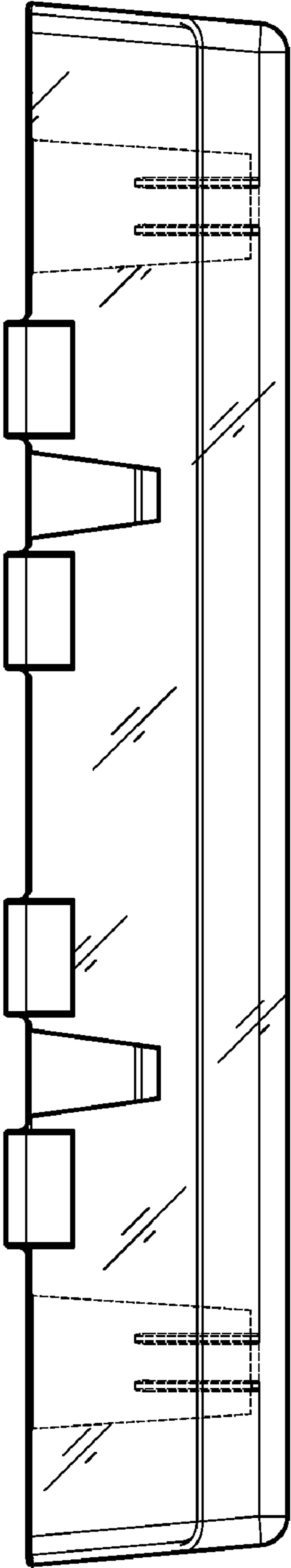


FIG. 10

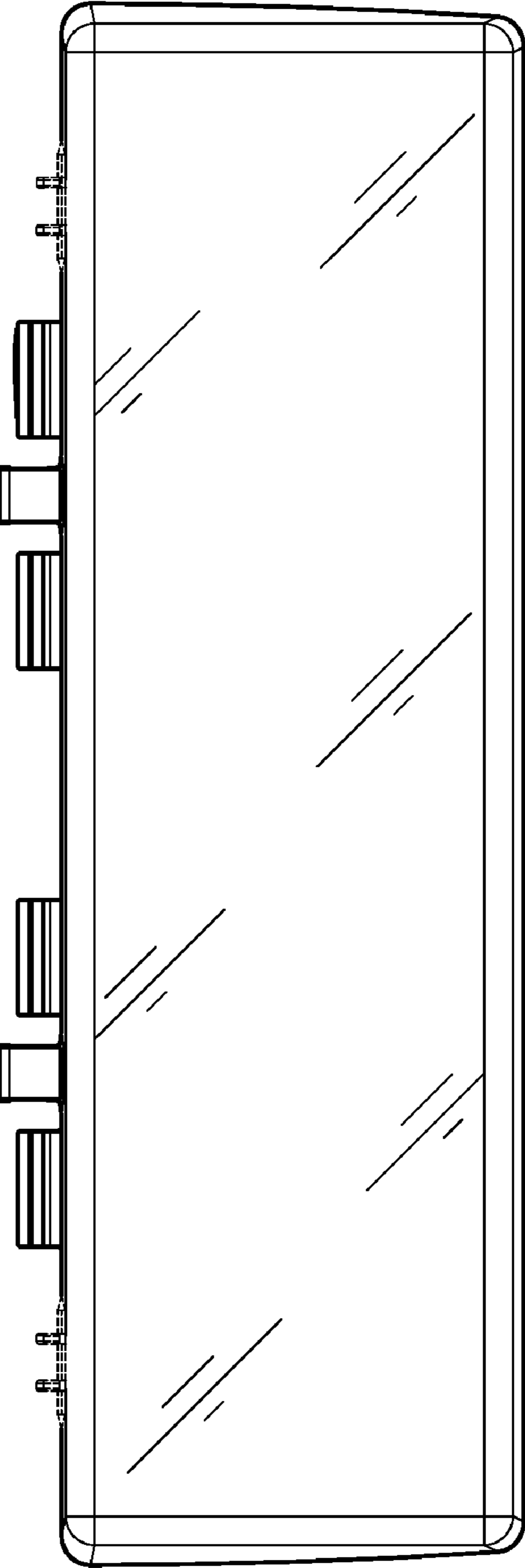




FIG. 11

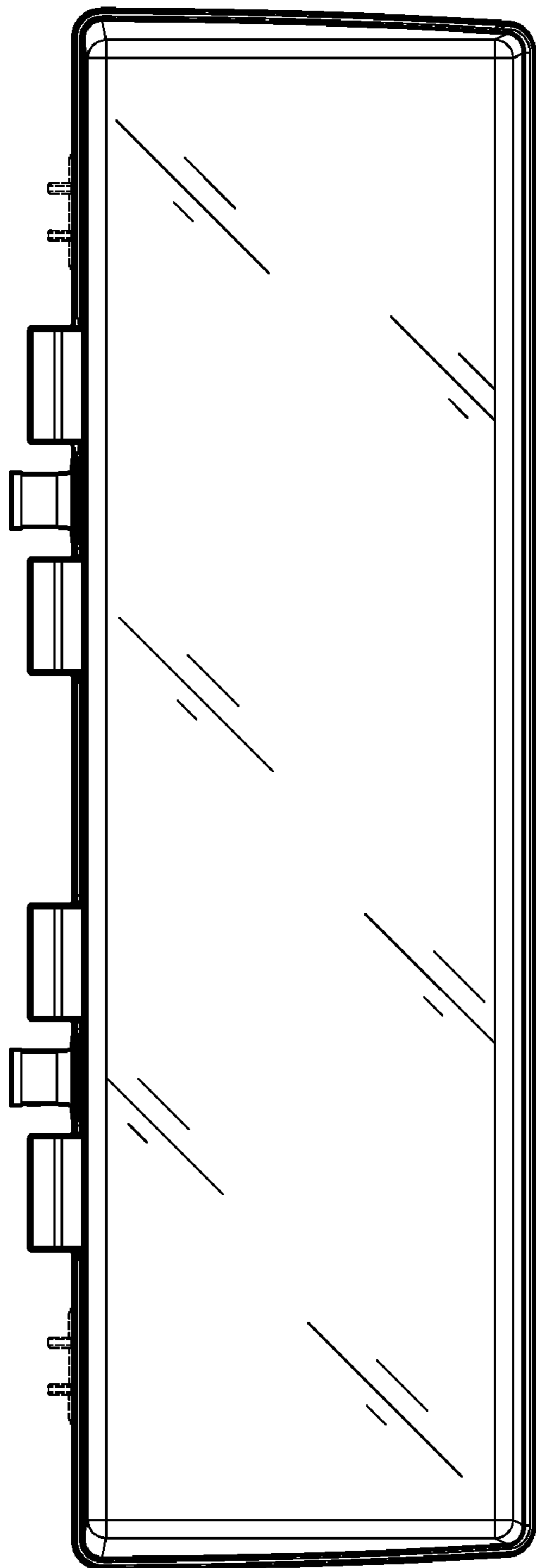


FIG. 12

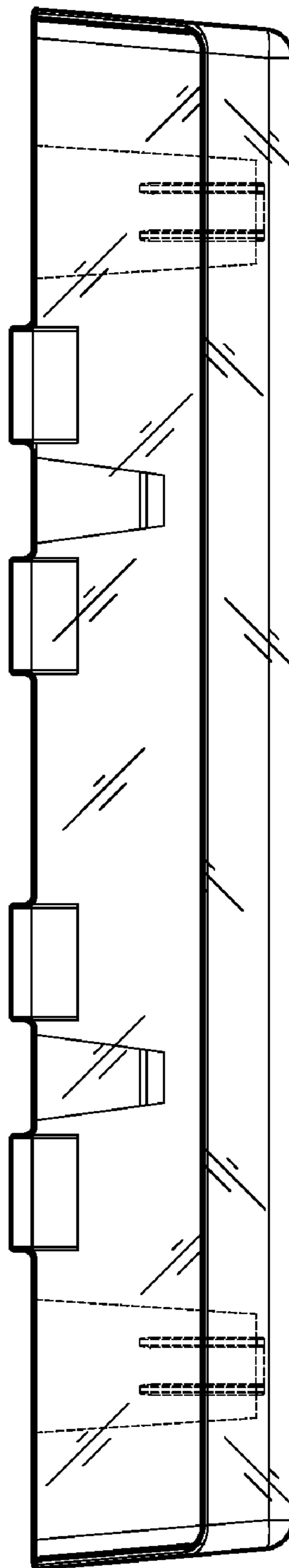


FIG. 14

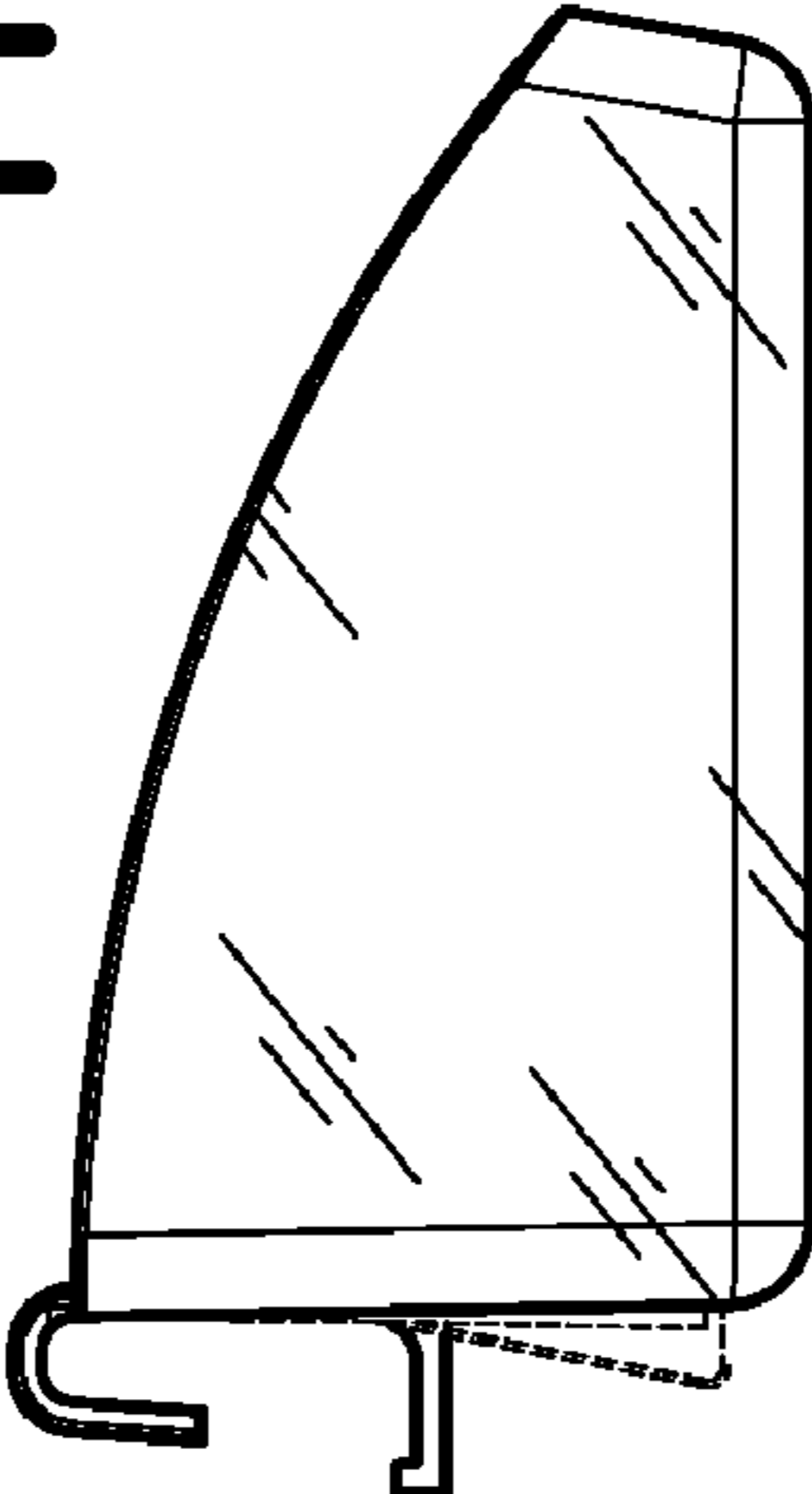


FIG. 13

