

US00D594225S

(12) **United States Design Patent**
Leung et al.

(10) **Patent No.:** **US D594,225 S**
(45) **Date of Patent:** **** Jun. 16, 2009**

- (54) **HAND-HELD ELECTRONIC DEVICE
HOLSTER**
 - (75) Inventors: **Kwok Ching Leung**, Richmond Hill
(CA); **Roman Rak**, Waterloo (CA)
 - (73) Assignee: **Research In Motion Limited**, Waterloo
(CA)
 - (**) Term: **14 Years**
 - (21) Appl. No.: **29/322,331**
 - (22) Filed: **Aug. 1, 2008**
 - (51) **LOC (9) Cl.** **03-01**
 - (52) **U.S. Cl.** **D3/218**
 - (58) **Field of Classification Search** D3/218,
D3/129, 215, 226; 224/236, 240, 165, 197,
224/242, 196, 666, 646, 678; 379/455, 446;
242/379, 379.2
- See application file for complete search history.

D564,753 S * 3/2008 Tages et al. D3/218
* cited by examiner

Primary Examiner—Catherine R Oliver

(57) **CLAIM**

We claim the ornamental design for a hand-held electronic device holster, as shown and described.

DESCRIPTION

FIG. 1 is a front perspective view of a rotating dial and clip on a hand-held electronic device holster;

FIG. 2 is a front elevation view of a rotating dial and clip on a hand-held electronic device holster;

FIG. 3 is a rear perspective view of a rotating dial and clip on a hand-held electronic device holster;

FIG. 4 is a rear elevation view of a rotating dial and clip on a hand-held electronic device holster;

FIG. 5 is a right elevation view of a rotating dial and clip on a hand-held electronic device holster;

FIG. 6 is a left elevation view of a rotating dial and clip on a hand-held electronic device holster;

FIG. 7 is a top plan view thereof; and,

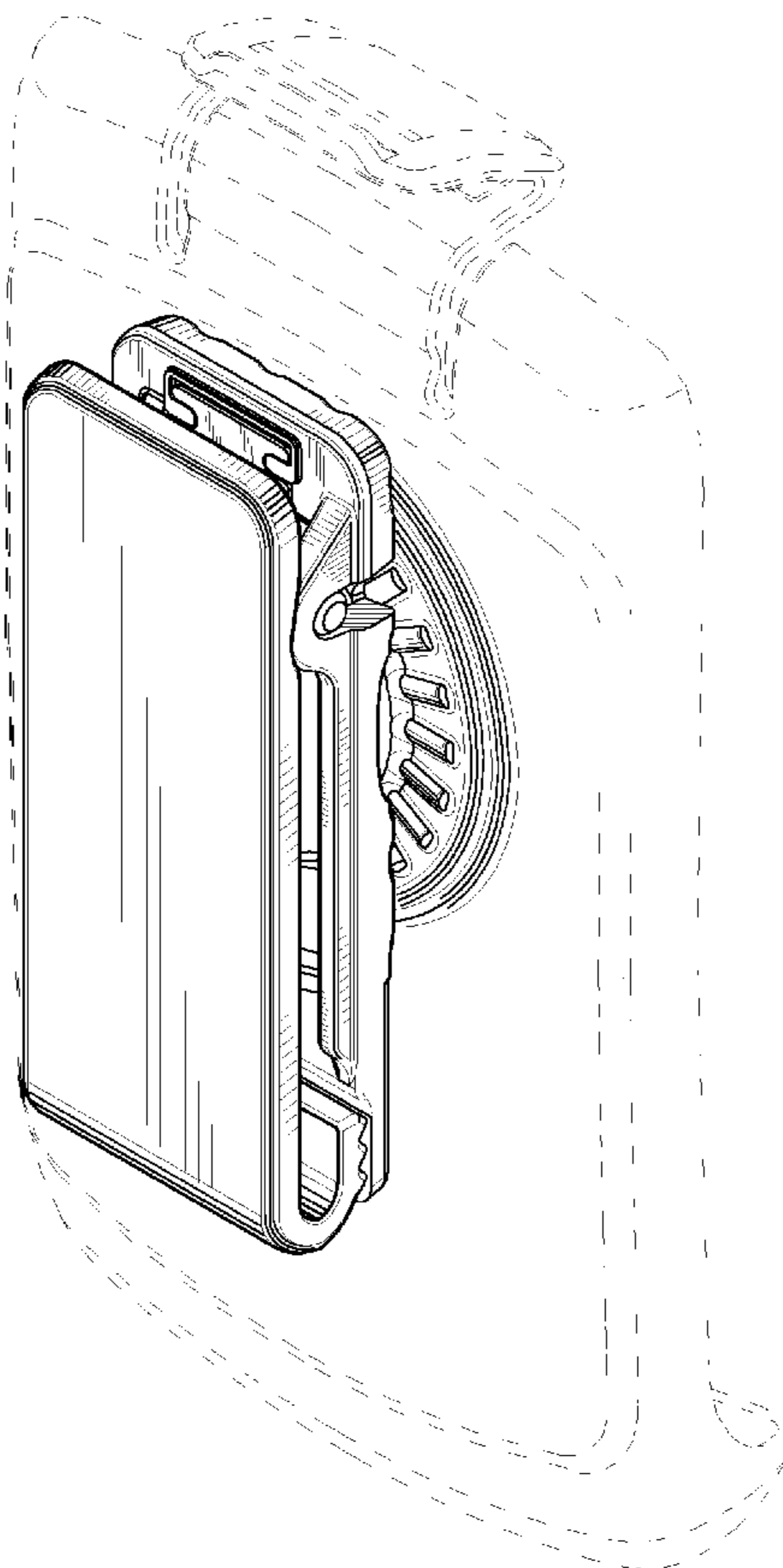
FIG. 8 is a bottom plan view thereof.

1 Claim, 6 Drawing Sheets

(56) **References Cited**

U.S. PATENT DOCUMENTS

- D457,308 S * 5/2002 Infanti D3/218
- D510,659 S * 10/2005 Goradesky D3/218
- D548,960 S * 8/2007 Tages et al. D3/218
- D550,450 S * 9/2007 Dong D3/218



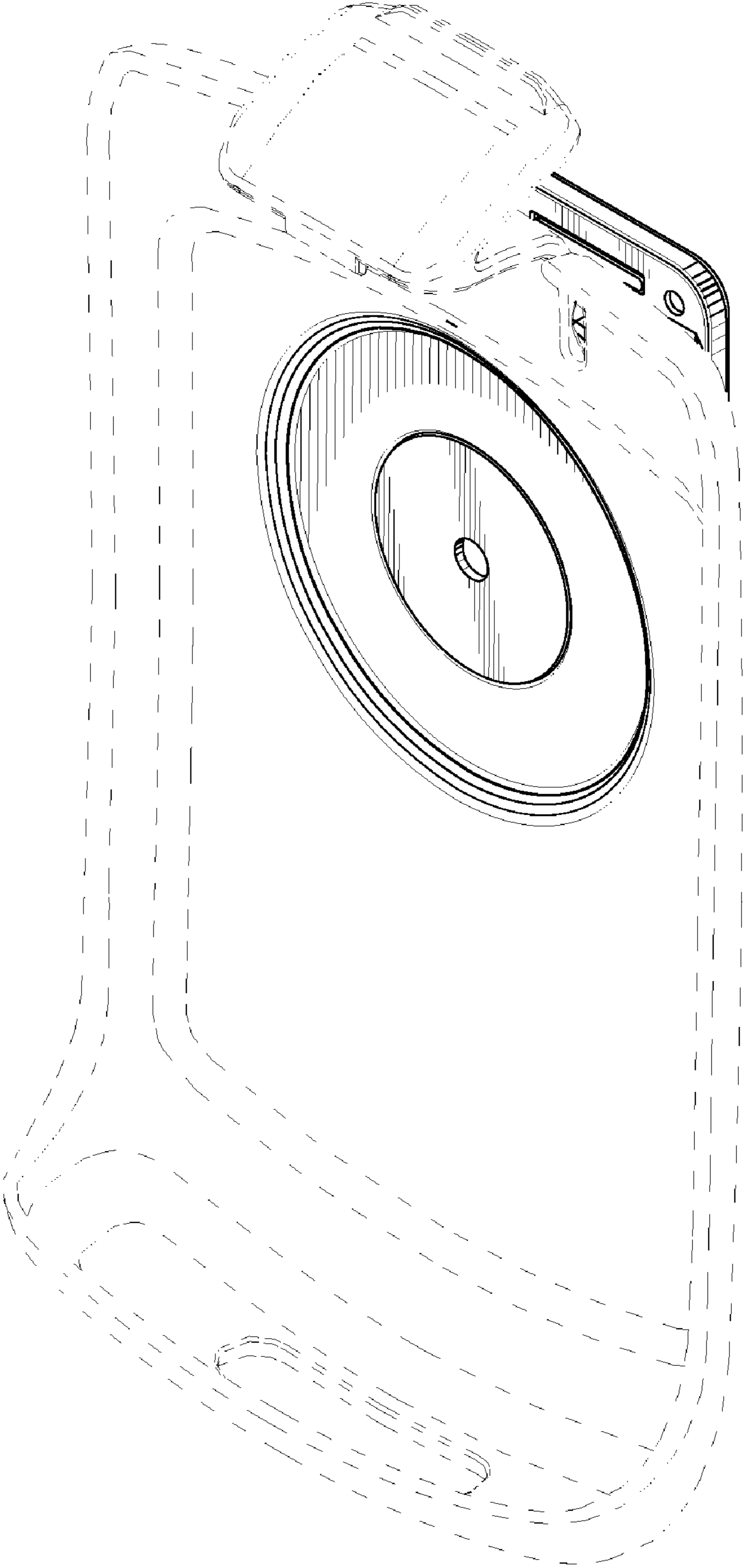


FIG.1

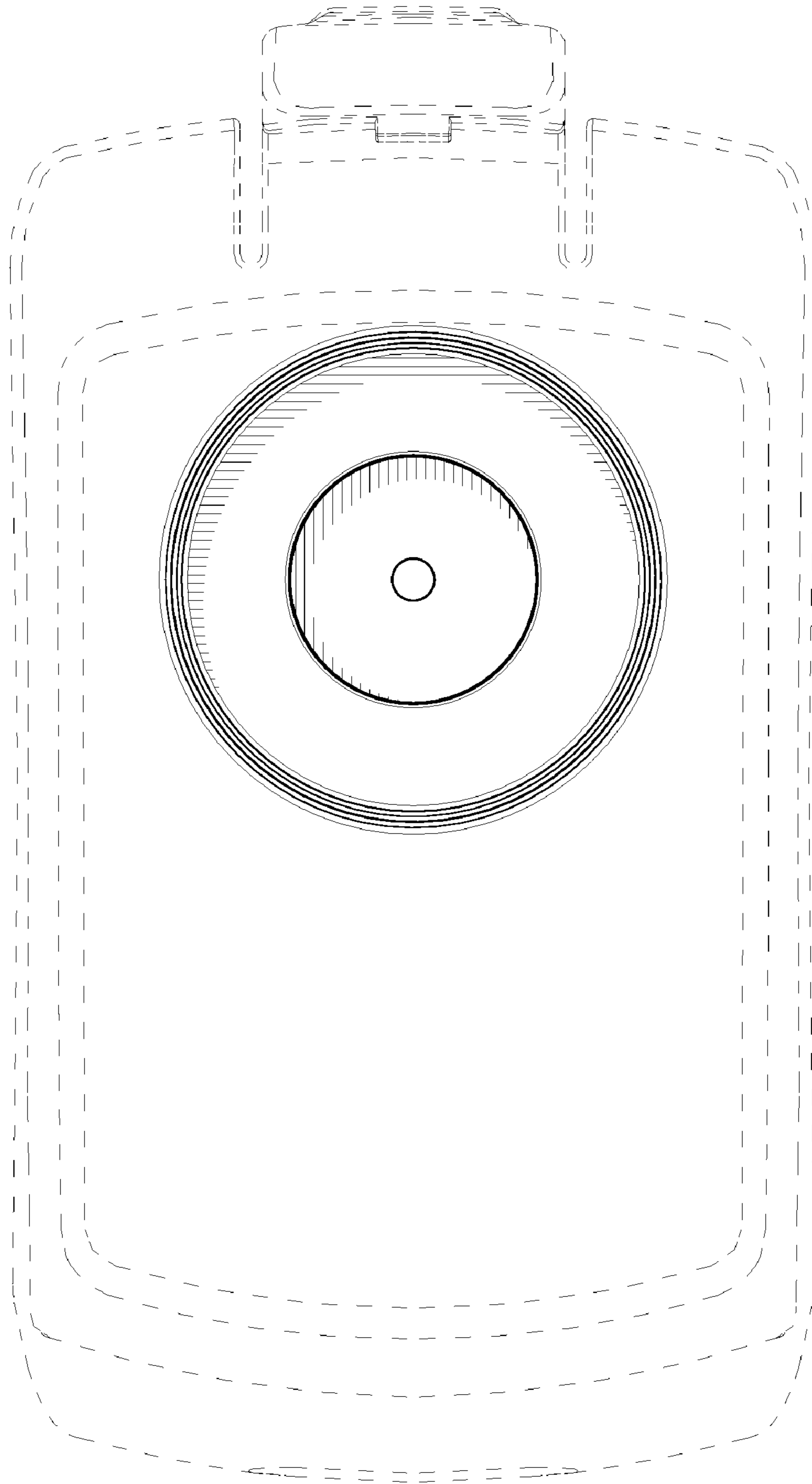


FIG.2

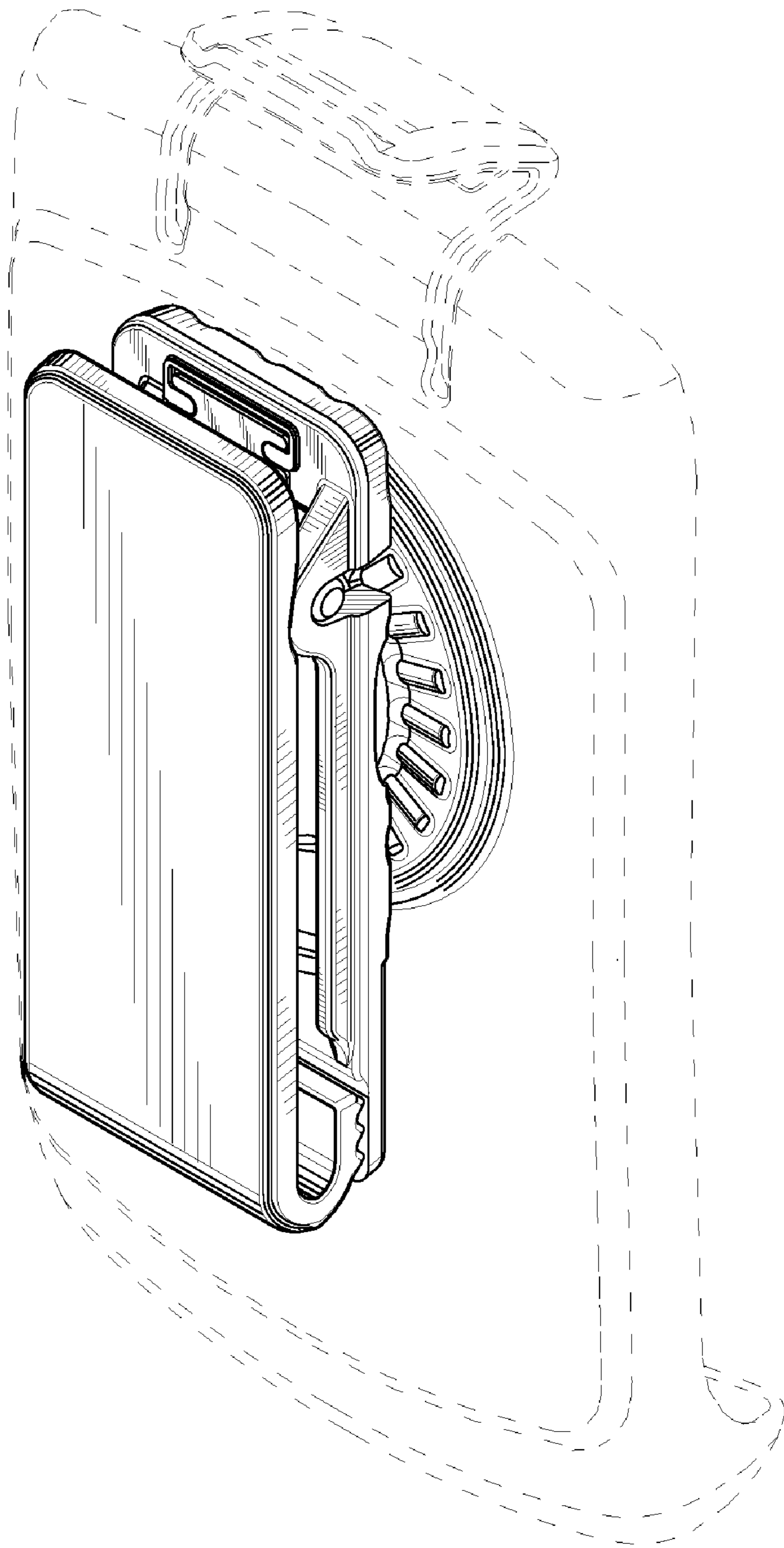


FIG.3

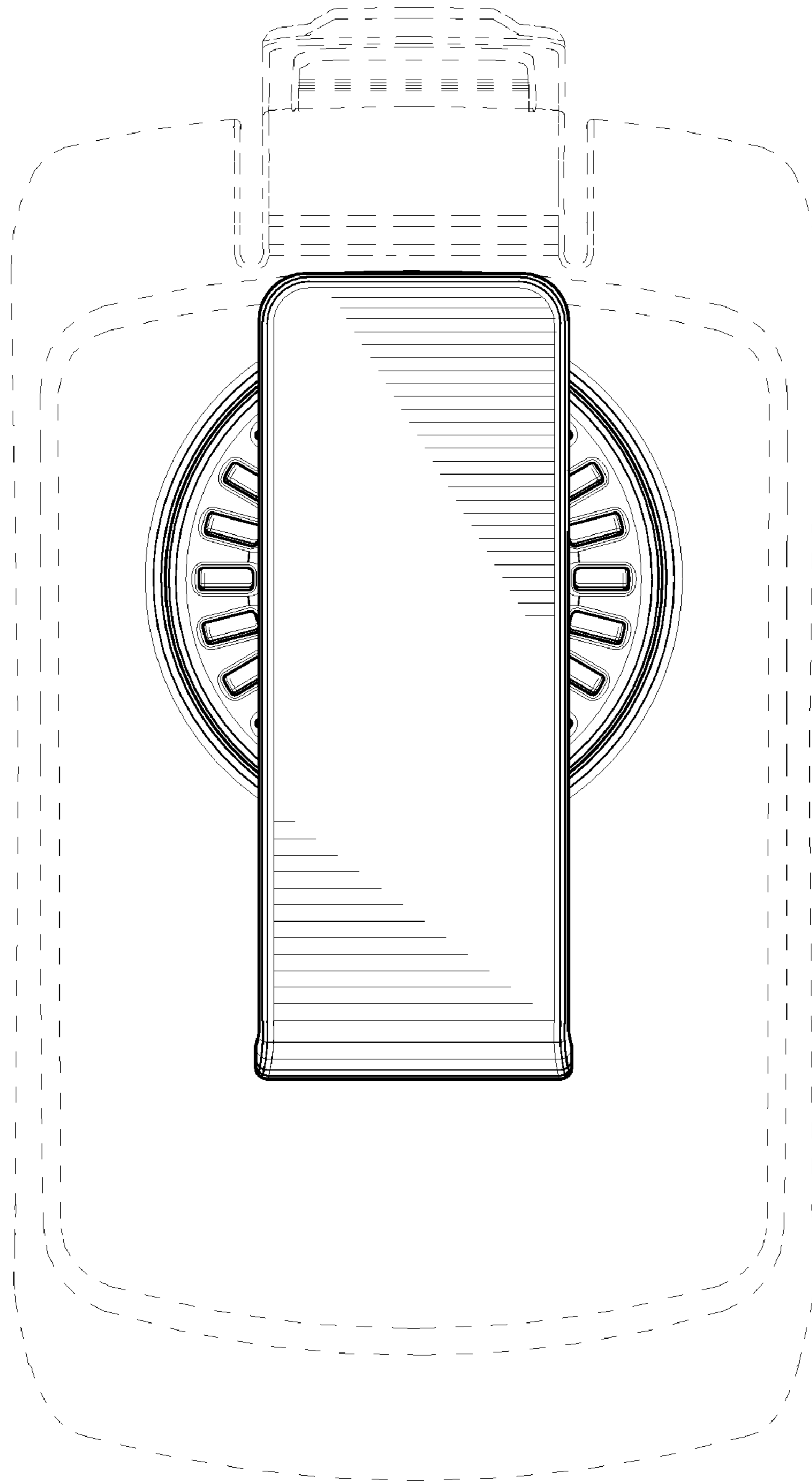


FIG.4

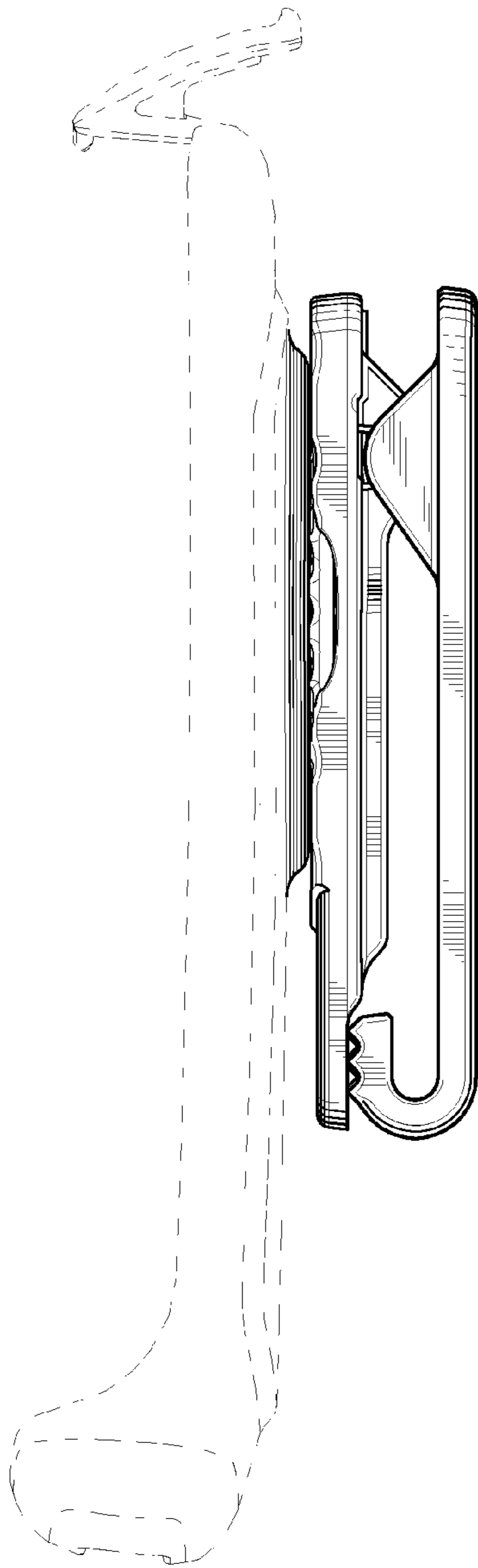


FIG.5

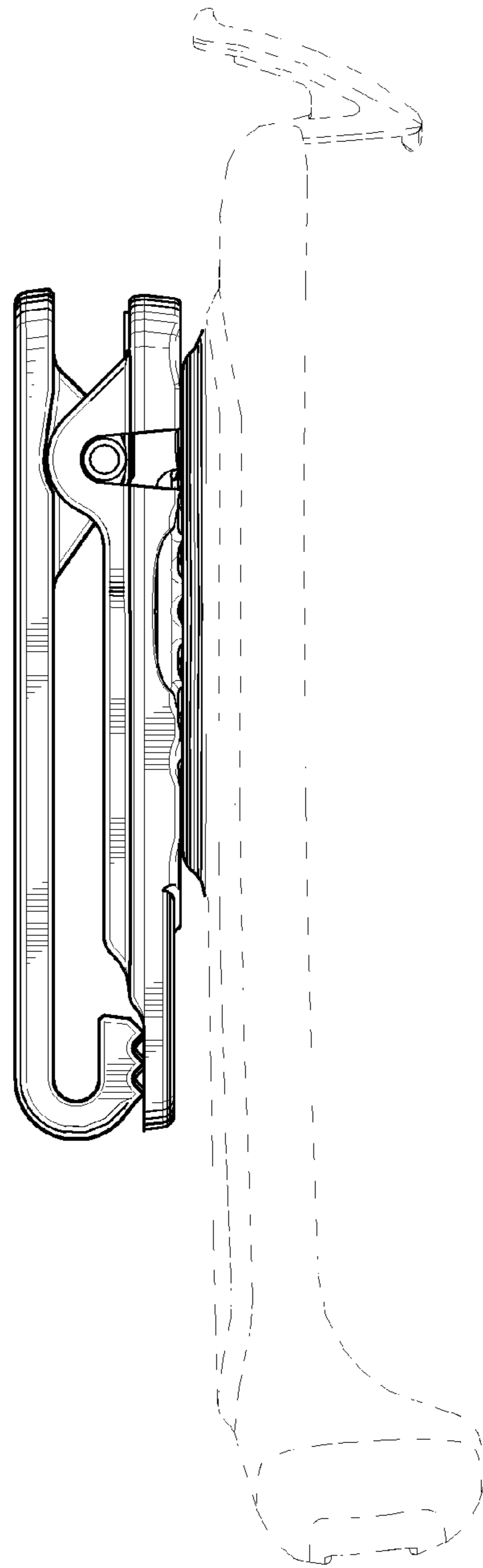


FIG.6

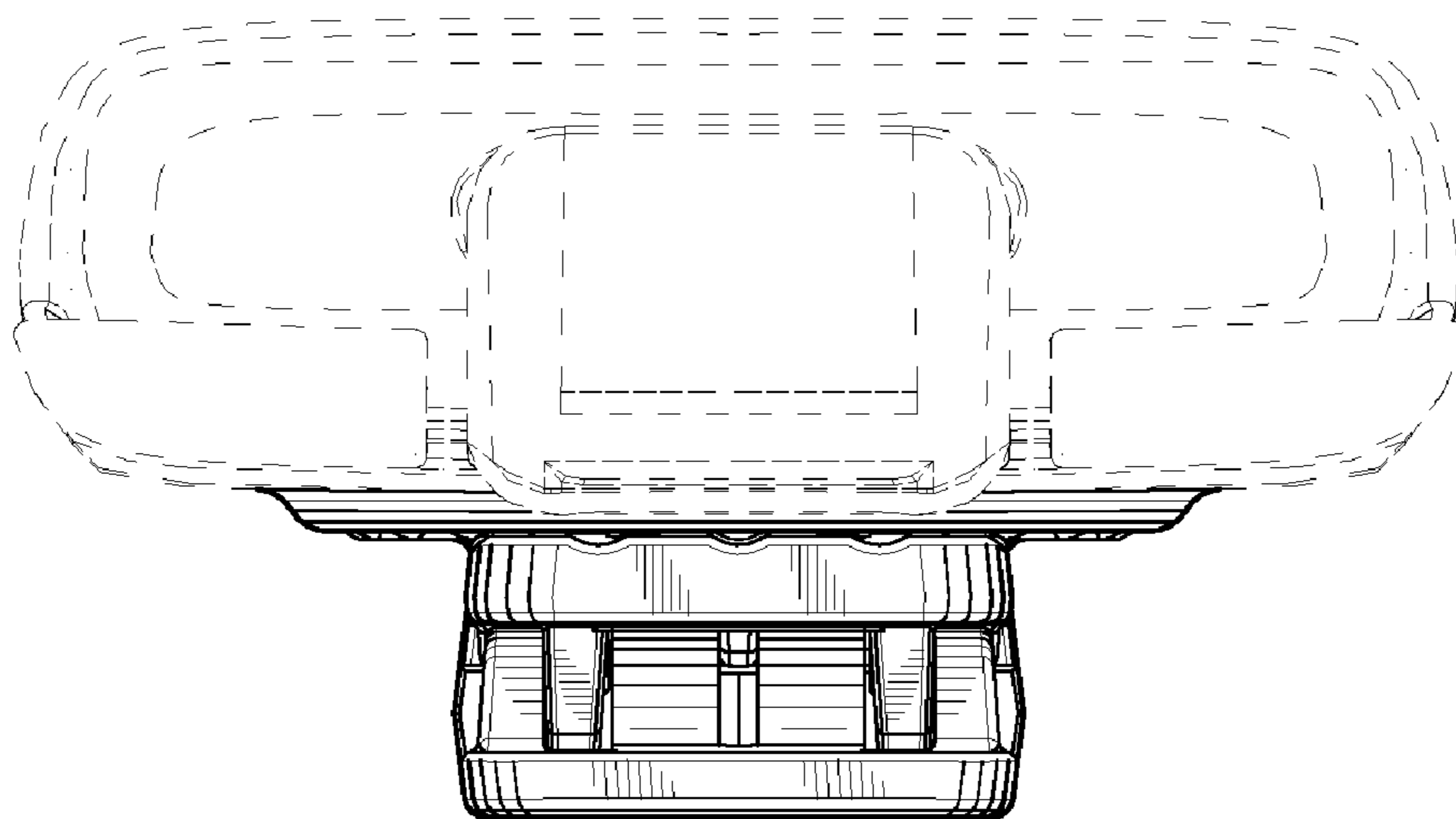


FIG. 7

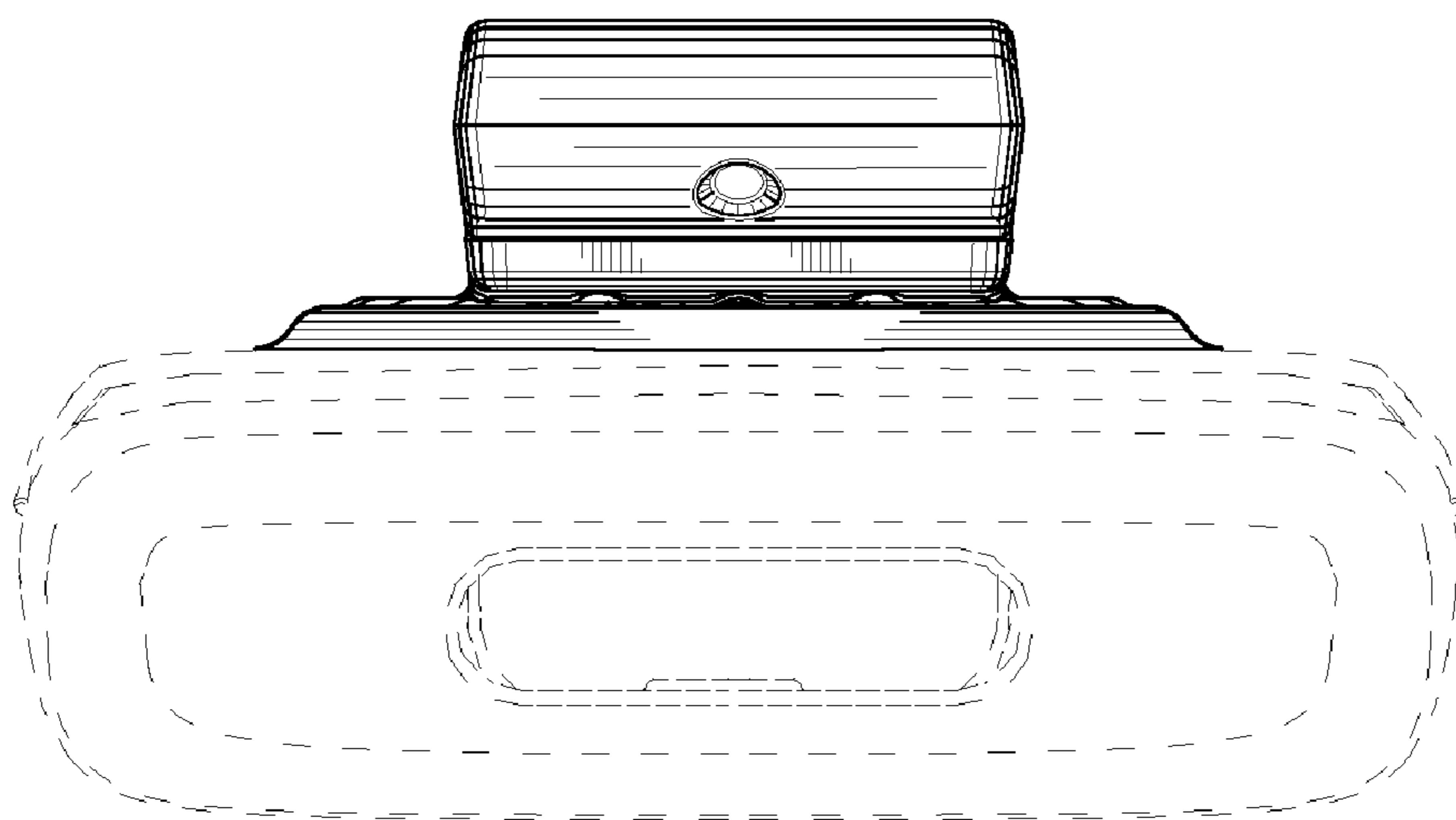


FIG. 8