



US00D594199S

(12) **United States Design Patent**
Kasai

(10) **Patent No.:** **US D594,199 S**
(45) **Date of Patent:** **** Jun. 16, 2009**

(54) **INNERSOLE**

5,864,969 A * 2/1999 Mauch 36/43
6,434,859 B1 * 8/2002 Kim 36/43

(75) Inventor: **Shoji Kasai**, Tokyo (JP)

* cited by examiner

(73) Assignee: **Toho Lamac Co., Ltd.**, Tokyo (JP)

Primary Examiner—Dominic Simone

(**) Term: **14 Years**

(74) *Attorney, Agent, or Firm*—Cozen O'Connor

(21) Appl. No.: **29/299,077**

(57) **CLAIM**

(22) Filed: **Dec. 19, 2007**

I claim the ornamental design for an innersole, as shown and described.

(51) **LOC (9) Cl.** **02-99**

(52) **U.S. Cl.** **D2/961**

(58) **Field of Classification Search** D2/946,
D2/961; 36/43, 44

See application file for complete search history.

DESCRIPTION

(56) **References Cited**

U.S. PATENT DOCUMENTS

360,127	A *	3/1887	Wallis	36/43
371,189	A *	10/1887	Fullerton	36/43
2,184,456	A *	12/1939	Knapp	36/44
D268,303	S *	3/1983	Gaski	D2/961
5,669,161	A *	9/1997	Huang	36/43
5,784,811	A *	7/1998	Mauch	36/43

FIG. 1 is a top perspective view of an innersole showing my new design;

FIG. 2 is a top view thereof;

FIG. 3 is a bottom view thereof;

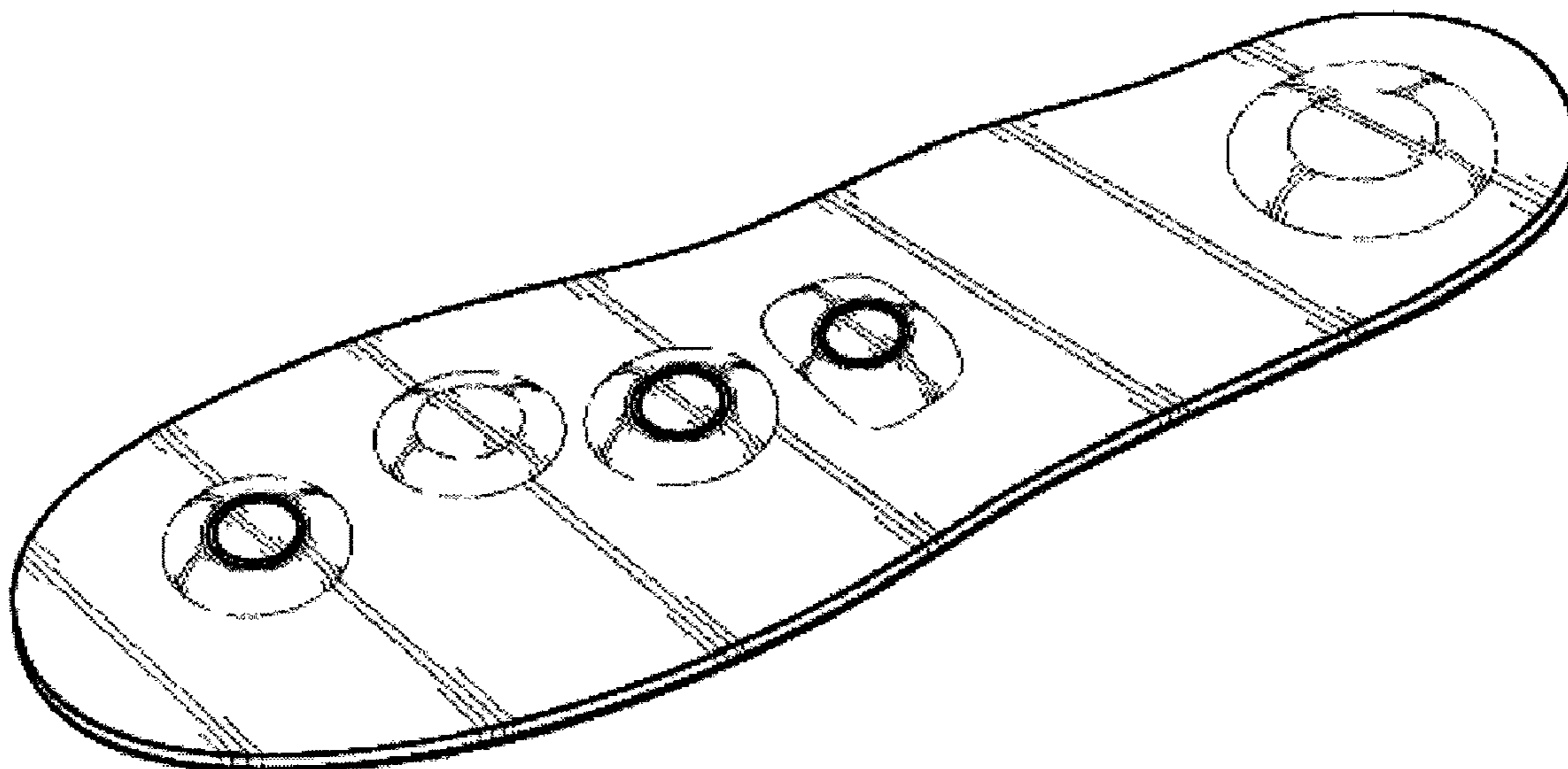
FIG. 4 is a left side view thereof;

FIG. 5 is a right side view thereof;

FIG. 6 is a front view thereof; and,

FIG. 7 is a rear view thereof.

1 Claim, 3 Drawing Sheets



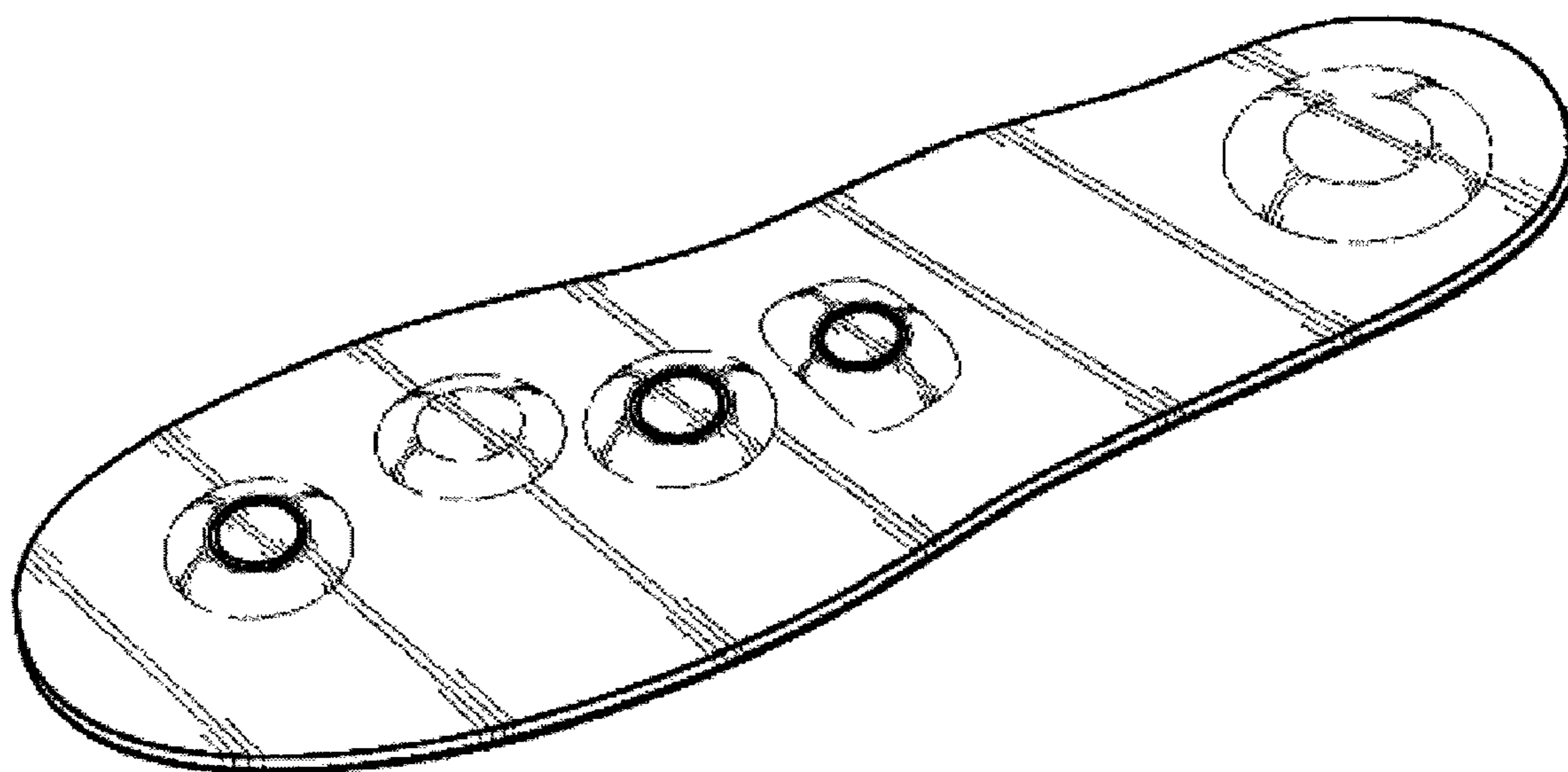


FIG. 1

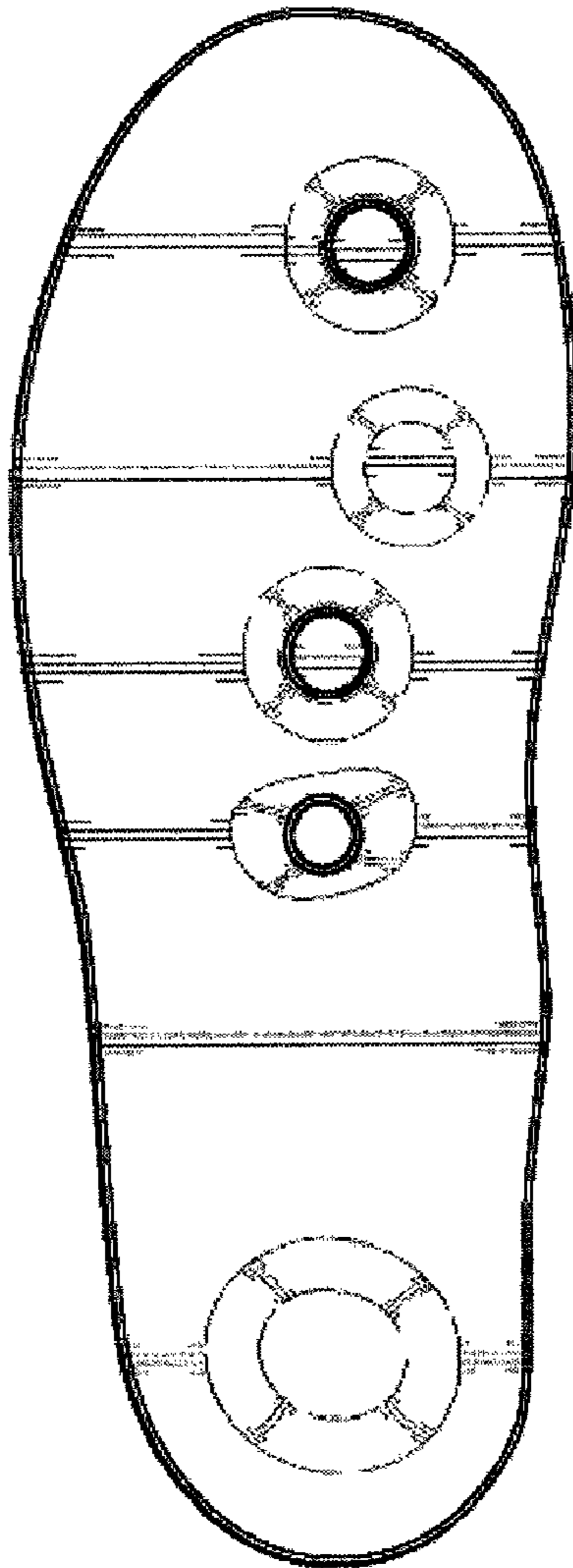


FIG. 2

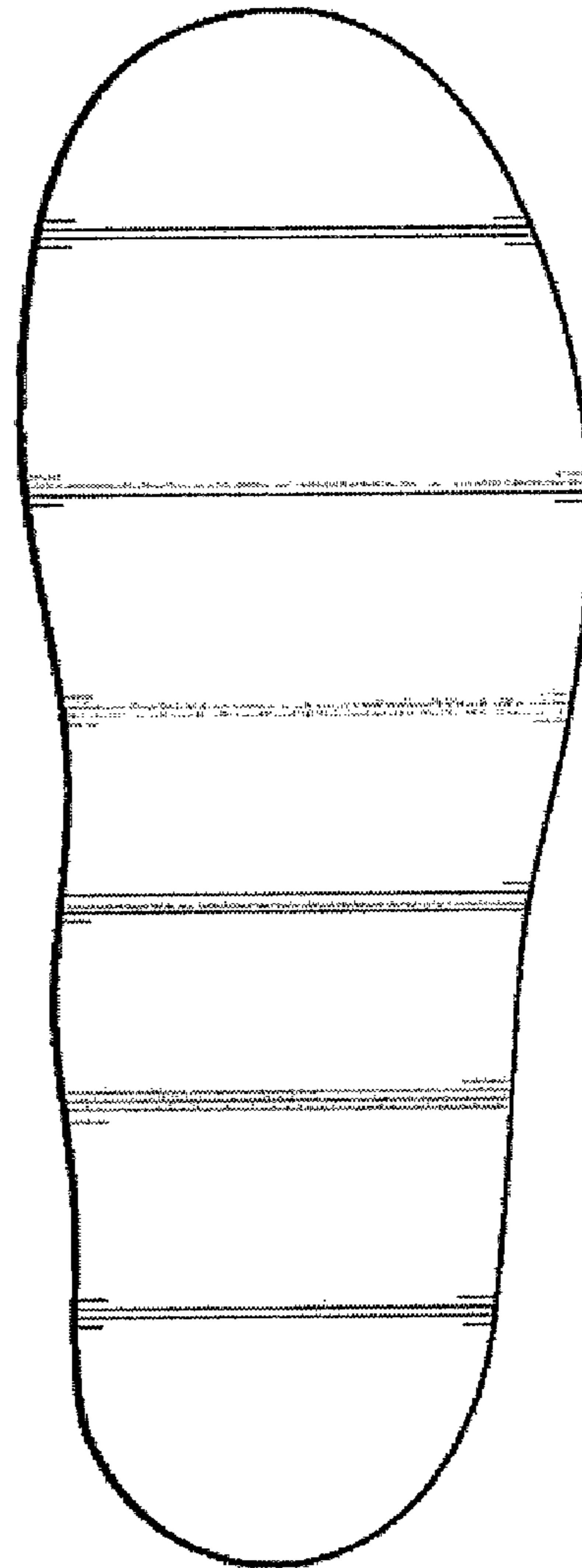


FIG. 3



FIG. 4

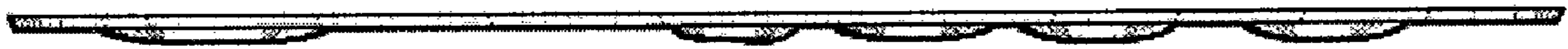


FIG. 5



FIG. 6

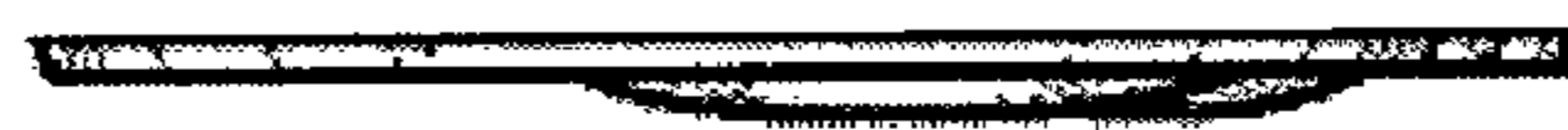


FIG. 7