



US00D594194S

(12) **United States Design Patent**
Butler

(10) **Patent No.:** **US D594,194 S**
(45) **Date of Patent:** **** Jun. 16, 2009**

(54) **FOOTWEAR OUTSOLE**

(75) Inventor: **Damon R. Butler**, Portland, OR (US)
(73) Assignee: **Deckers Outdoor Corporation**, Goleta, CA (US)
(**) Term: **14 Years**
(21) Appl. No.: **29/327,362**
(22) Filed: **Nov. 4, 2008**

(51) **LOC (9) Cl.** **02-04**
(52) **U.S. Cl.** **D2/957; D2/951; D2/960**
(58) **Field of Classification Search** **D2/902, D2/947, 951, 952, 953, 954, 956, 957, 958, D2/959, 960; 36/103, 3 B, 22 R, 25 R, 32 R, 36/59 C, 67 A; D5/32, 37**
See application file for complete search history.

(56) **References Cited**

U.S. PATENT DOCUMENTS

D146,504 S *	3/1947	Kavenagh	D2/959
D281,286 S *	11/1985	Mangini et al.	D2/952
D287,182 S *	12/1986	Stubblefield	D2/951
D287,304 S *	12/1986	Peterson et al.	D2/956
D301,801 S *	6/1989	McCrea	D2/957
D334,464 S *	4/1993	Dodds	D2/957
D342,606 S *	12/1993	Cotsidas	D2/954
D351,274 S *	10/1994	Fellouhe	D2/904
D351,718 S *	10/1994	Novy	D2/959
D353,258 S	12/1994	Issler		
D394,542 S *	5/1998	Wurfbain et al.	D2/954
D395,742 S *	7/1998	Wurfbain et al.	D2/957
D404,547 S *	1/1999	Strawser et al.	D2/953
D404,551 S *	1/1999	Greenberg	D2/960
D404,899 S *	2/1999	von Conta	D2/957
D406,691 S *	3/1999	McDowell	D2/960
D428,688 S *	8/2000	Egelja et al.	D2/957
D460,608 S *	7/2002	Laberge et al.	D2/957
D489,884 S *	5/2004	Recchi	D2/960
D496,525 S *	9/2004	Dykstra	D2/960
D501,708 S *	2/2005	Andrews-Kramer	D2/960
D509,049 S *	9/2005	McClaskie	D2/957
D520,220 S *	5/2006	Morgan et al.	D2/957

D520,721 S *	5/2006	White et al.	D2/957
D521,715 S *	5/2006	Lotti	D2/957
D545,534 S *	7/2007	McClaskie	D2/959
D546,533 S *	7/2007	Chen	D2/959
D548,438 S *	8/2007	McClaskie	D2/958
D553,834 S *	10/2007	Nakano	D2/959
D554,840 S *	11/2007	McClaskie	D2/960
D556,987 S *	12/2007	Nakano	D2/957
D557,484 S *	12/2007	McClaskie	D2/959
D557,886 S *	12/2007	McClaskie	D2/957
D569,087 S	5/2008	Ringholz		

(Continued)

OTHER PUBLICATIONS

UGG Australia, Fall '98 Regional Ad Slicks, Outsoles, pp. 1 and 2.

(Continued)

Primary Examiner—Celia A Murphy
(74) *Attorney, Agent, or Firm*—Greer, Burns & Crain, Ltd.

(57) **CLAIM**

The ornamental design for a footwear outsole, as shown and described.

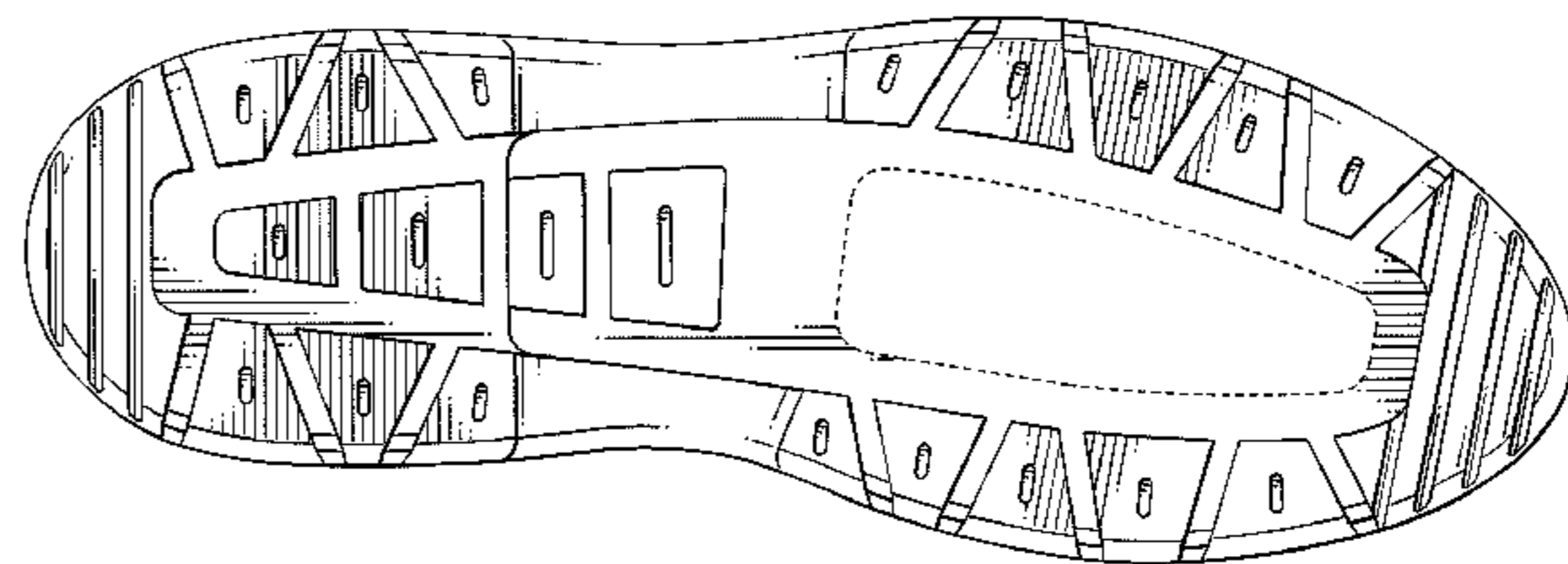
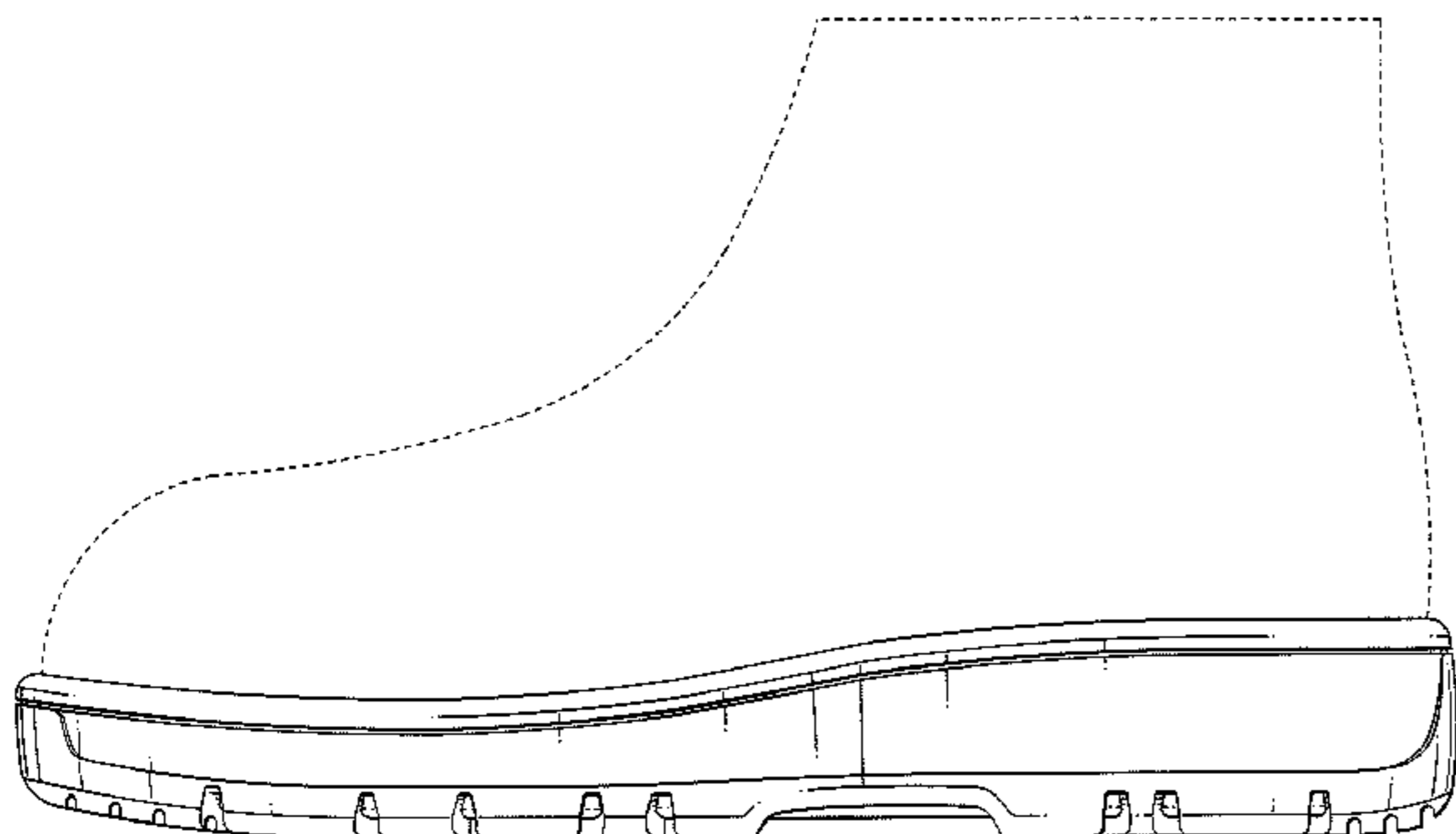
DESCRIPTION

FIG. 1 is a perspective view of a footwear outsole showing my new design;
FIG. 2 is a right side elevational view thereof;
FIG. 3 is a left side elevational view thereof;
FIG. 4 is a bottom plan view thereof;
FIG. 5 is a top plan view thereof;
FIG. 6 is a front elevational view thereof; and,
FIG. 7 is a rear elevational view thereof.

The broken-line in FIGS. 1, 4 and 6 defines the interior boundary of the design. None of the broken lines or the areas within them form any part of the claim.

The broken line showing the remainder of the footwear in FIGS. 1-3 and 5-7, illustrates the portion of the design that forms no part of the claim.

1 Claim, 6 Drawing Sheets



US D594,194 S

Page 2

U.S. PATENT DOCUMENTS

D569,595 S * 5/2008 Le D2/960
D574,584 S * 8/2008 Earle D2/957
D576,395 S * 9/2008 Earle D2/957
D586,994 S * 2/2009 Chang D2/959
D588,791 S * 3/2009 Nelson D2/957
2003/0182820 A1* 10/2003 Fuerst et al. 36/11.5

OTHER PUBLICATIONS

UGG Australia, Fall/Winter 1999, Ultra, p. 6.

UGG Australia, Fall/Winter 1999, Birch, p. 10.
UGG Australia, Fall/Winter 1999, Fluff Momma, p. 14.
UGG Australia, Fall/Winter 1999, Clugg, p. 16.
UGG Australia, Adirondack Collection Outsole, p. 12.
UGG Australia, Winter 2002 Collection, Aspen Outsole, p. 21.
UGG Australia, Fall/Winter 2003, Cambridge Outsole.
UGG Australia, photos 1-5, Original Ultra Outsole.

* cited by examiner

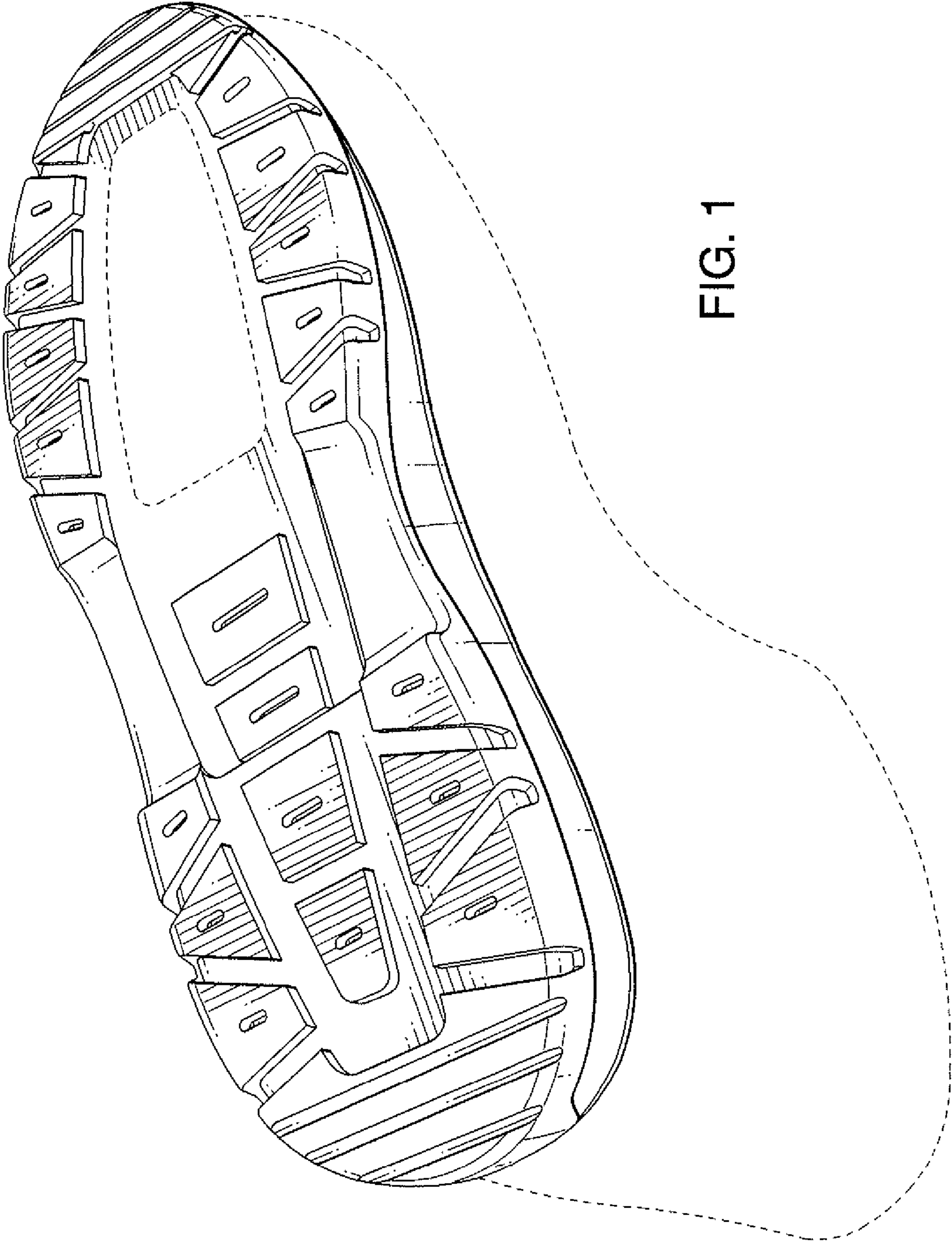
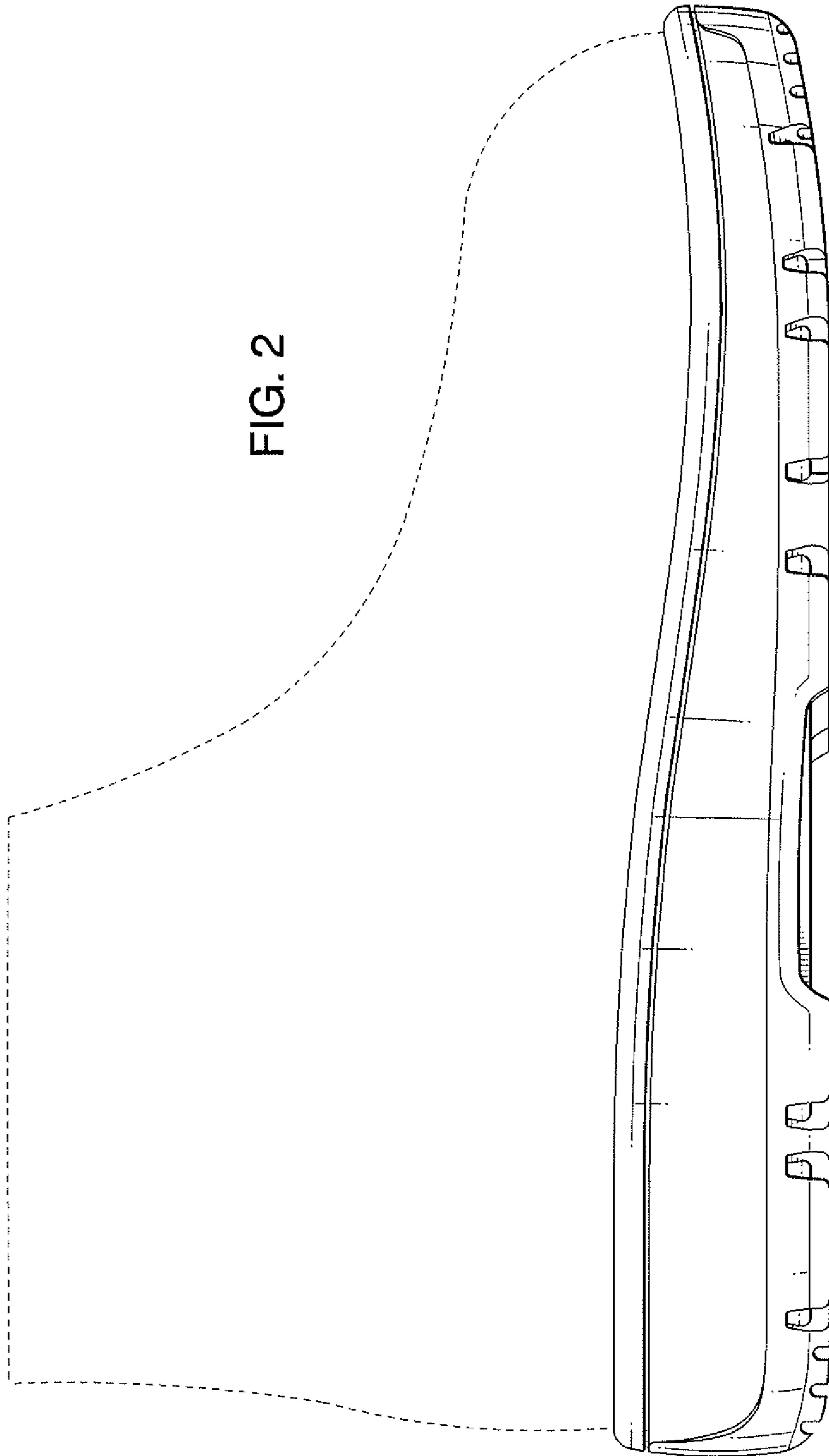


FIG. 1



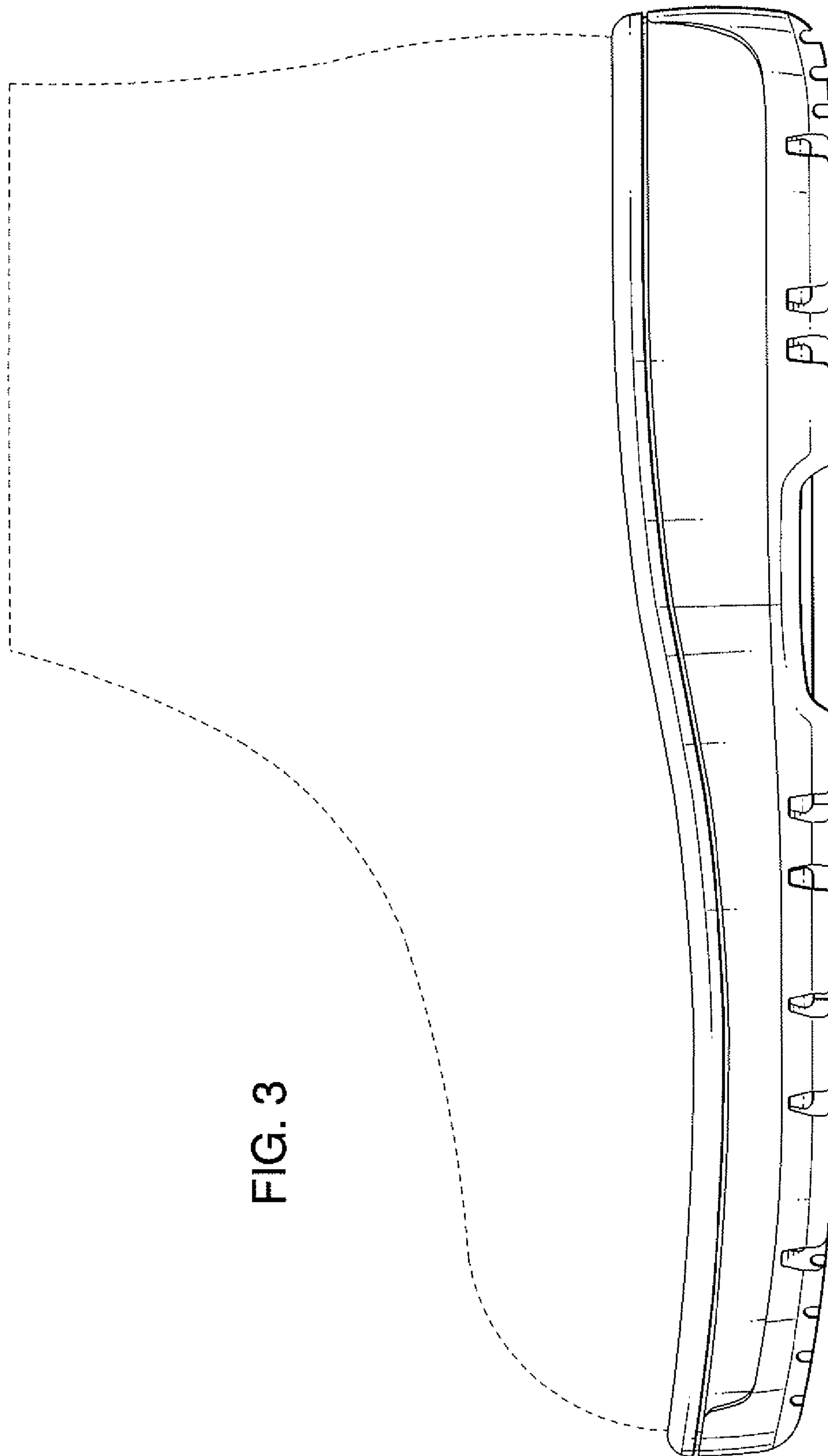


FIG. 3

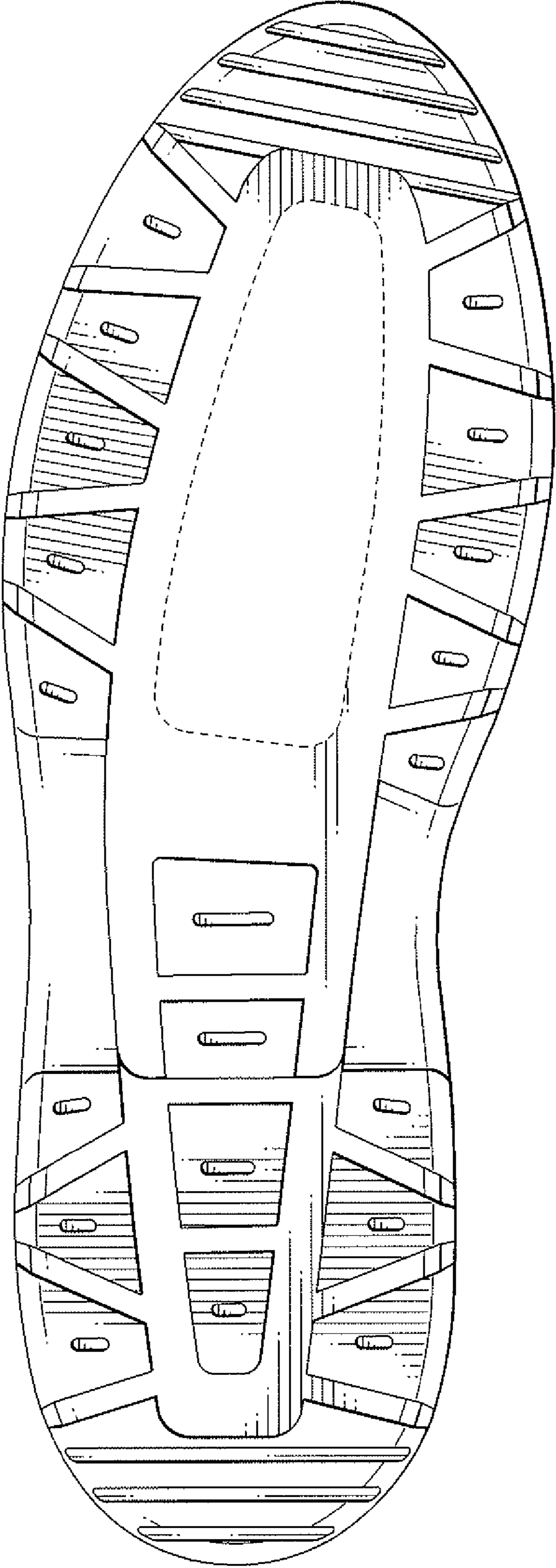


FIG. 4

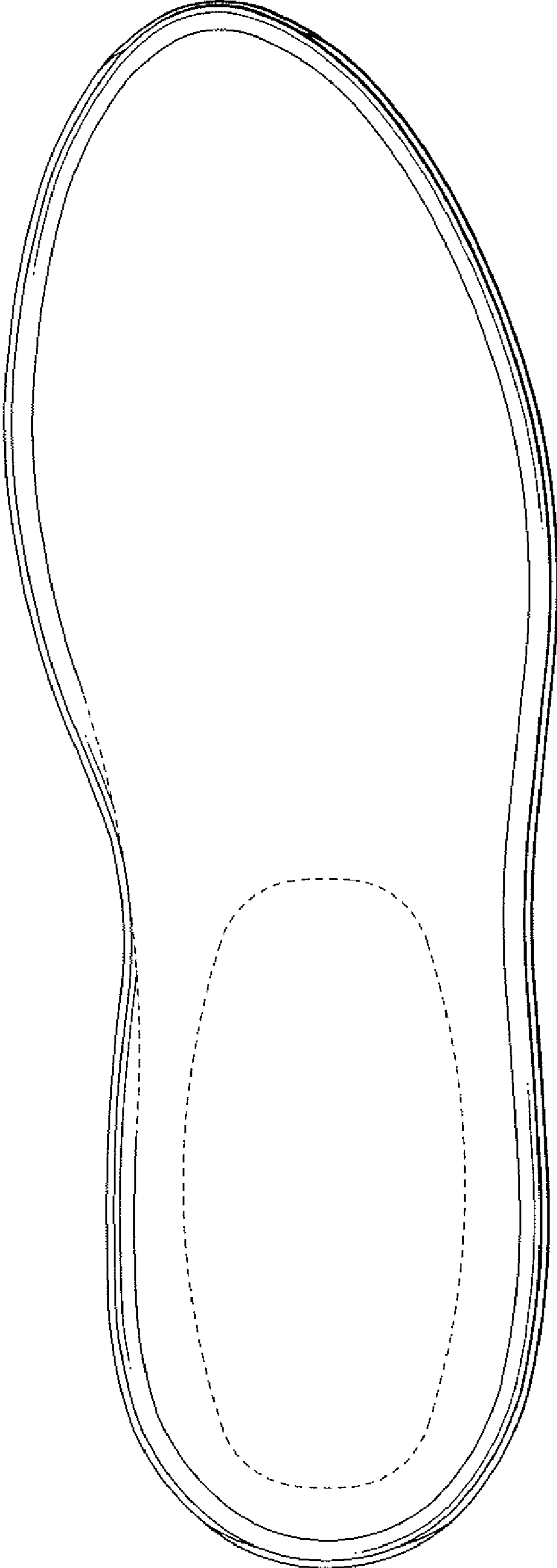


FIG. 5

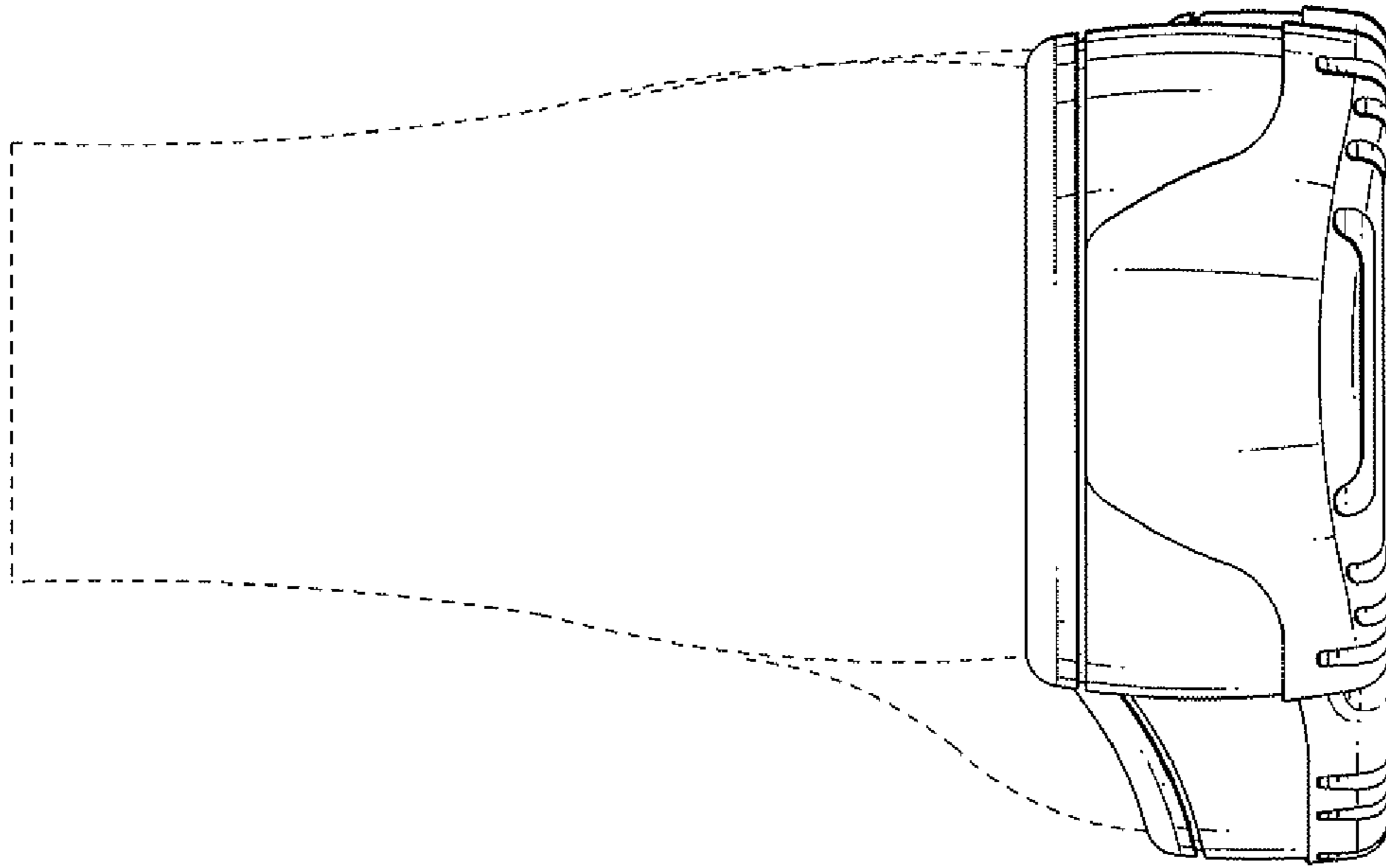


FIG. 7

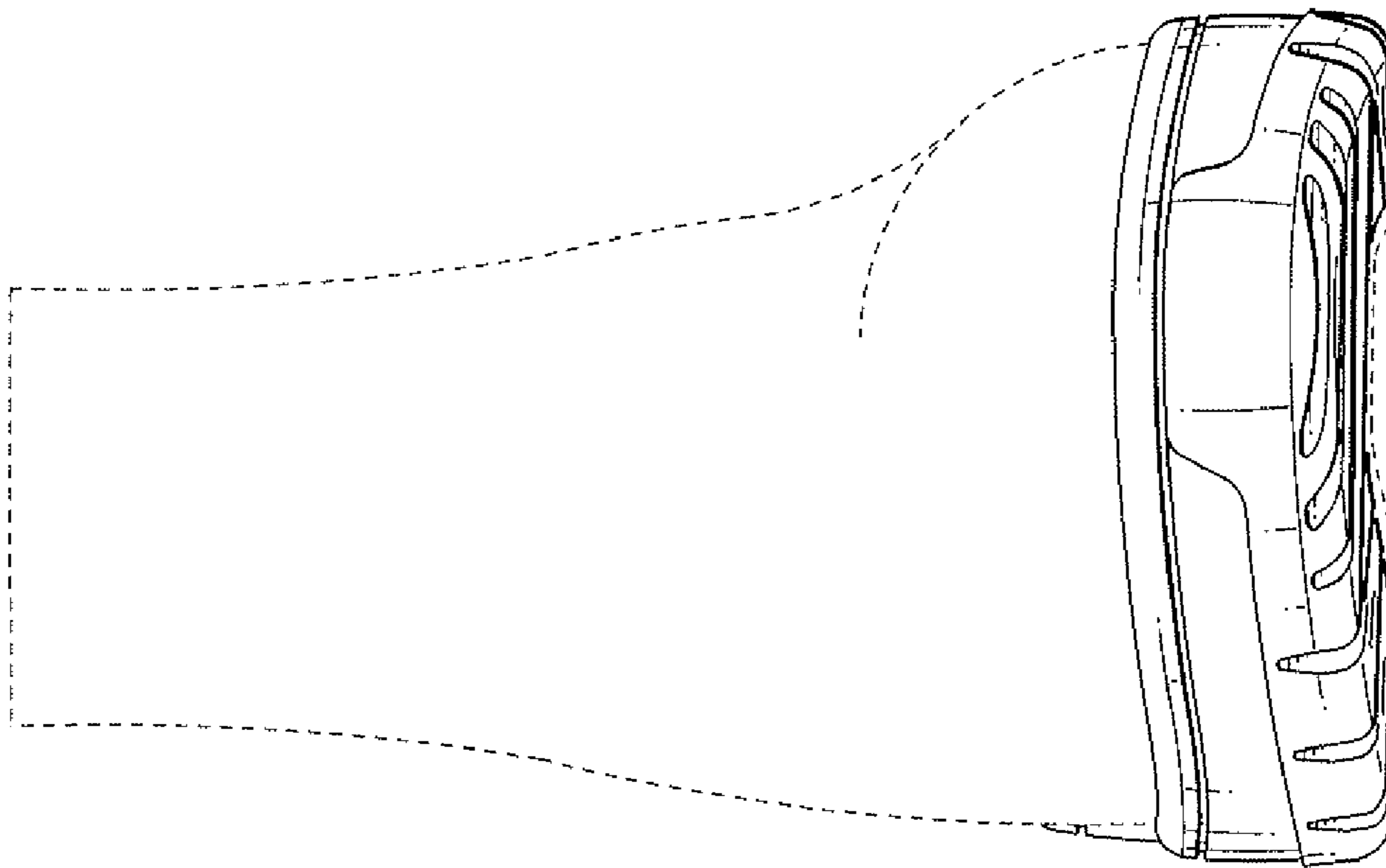


FIG. 6