



US00D594186S

(12) **United States Design Patent**
Petty

(10) **Patent No.:** **US D594,186 S**
(45) **Date of Patent:** **** Jun. 16, 2009**

(54) **PROTECTIVE COOLING CAP**

(76) Inventor: **David Petty**, 1128 Jennings Dr., Holiday, FL (US) 34690

(**) Term: **14 Years**

(21) Appl. No.: **29/306,816**

(22) Filed: **Apr. 16, 2008**

(51) **LOC (9) Cl.** **02-03**

(52) **U.S. Cl.** **D2/891**

(58) **Field of Classification Search** D2/865, D2/866, 871, 872, 873, 874, 875, 876, 878, D2/879, 882, 884, 891, 893, 895; D29/102, D29/103, 104, 106; 2/7, 10, 12, 171, 172, 2/195.1, 195.2, 195.3, 200.1, 200.2, 200.3, 2/209.11, 209.12, 209.13, 909; 40/329

See application file for complete search history.

(56) **References Cited**

U.S. PATENT DOCUMENTS

33,386	A *	10/1861	Gittens, Jr.	2/172
214,423	A *	4/1879	Meyering	2/172
5,035,004	A *	7/1991	Koester	2/206
5,121,507	A	6/1992	Brown	
5,153,943	A	10/1992	Clement	
5,201,077	A *	4/1993	Dondlinger	2/209.3
D337,645	S *	7/1993	Guziejka	D2/884
5,355,535	A	10/1994	Bruder	
5,603,120	A *	2/1997	Gifford	2/172
5,666,668	A *	9/1997	Ronquillo	2/172
5,669,075	A	9/1997	Weeks	
5,685,017	A *	11/1997	Kraft	2/171.1
D392,090	S *	3/1998	Monkhouse et al.	D2/891
D401,393	S *	11/1998	Johanson et al.	D2/891
5,862,523	A *	1/1999	Proctor	2/209.11
5,887,287	A *	3/1999	Potochnik	2/209.13
5,933,871	A *	8/1999	Kraft	2/209.13
5,950,241	A *	9/1999	Gomez	2/172
6,021,525	A *	2/2000	Mertins	2/172

6,131,201	A *	10/2000	Chu	2/172
6,163,886	A	12/2000	Carter	
6,233,745	B1	5/2001	Friesen	
6,481,021	B2	11/2002	Spell	
D474,327	S	5/2003	Giesen et al.	
6,802,083	B2 *	10/2004	Yan	2/209.13
6,857,134	B1	2/2005	Cowell	
D509,046	S *	9/2005	Patterson	D2/866
6,966,072	B1	11/2005	Kobayashi	
7,310,829	B1 *	12/2007	Engel-Wilson	2/209.13

* cited by examiner

Primary Examiner—Elizabeth A Albert
Assistant Examiner—Karen E Eldridge Powers
(74) *Attorney, Agent, or Firm*—Kyle Fletcher

(57) **CLAIM**

The ornamental design for the protective cooling cap, as shown and described.

DESCRIPTION

FIG. 1 is a front view of the claimed design.
FIG. 2 is a rear view of the claimed design.
FIG. 3 is a side view of the claimed design.
FIG. 4 is a top view of the claimed design.
FIG. 5 is a bottom view of the claimed design; and,
FIG. 6 is an isometric view of the claimed design in use on the rear of a baseball cap.

The word “logo” shown in broken lines in the drawings, is environmental matter and forms no part of the claimed design. The dark crisscrossed pattern in the upper band of the claimed design illustrates hook and loop fasteners and forms a part of the claimed design. The crosshatched pattern, although shown intermittently, is meant to represent fabric, and is understood to be distributed uniformly over the surfaces of the claimed design.

1 Claim, 4 Drawing Sheets

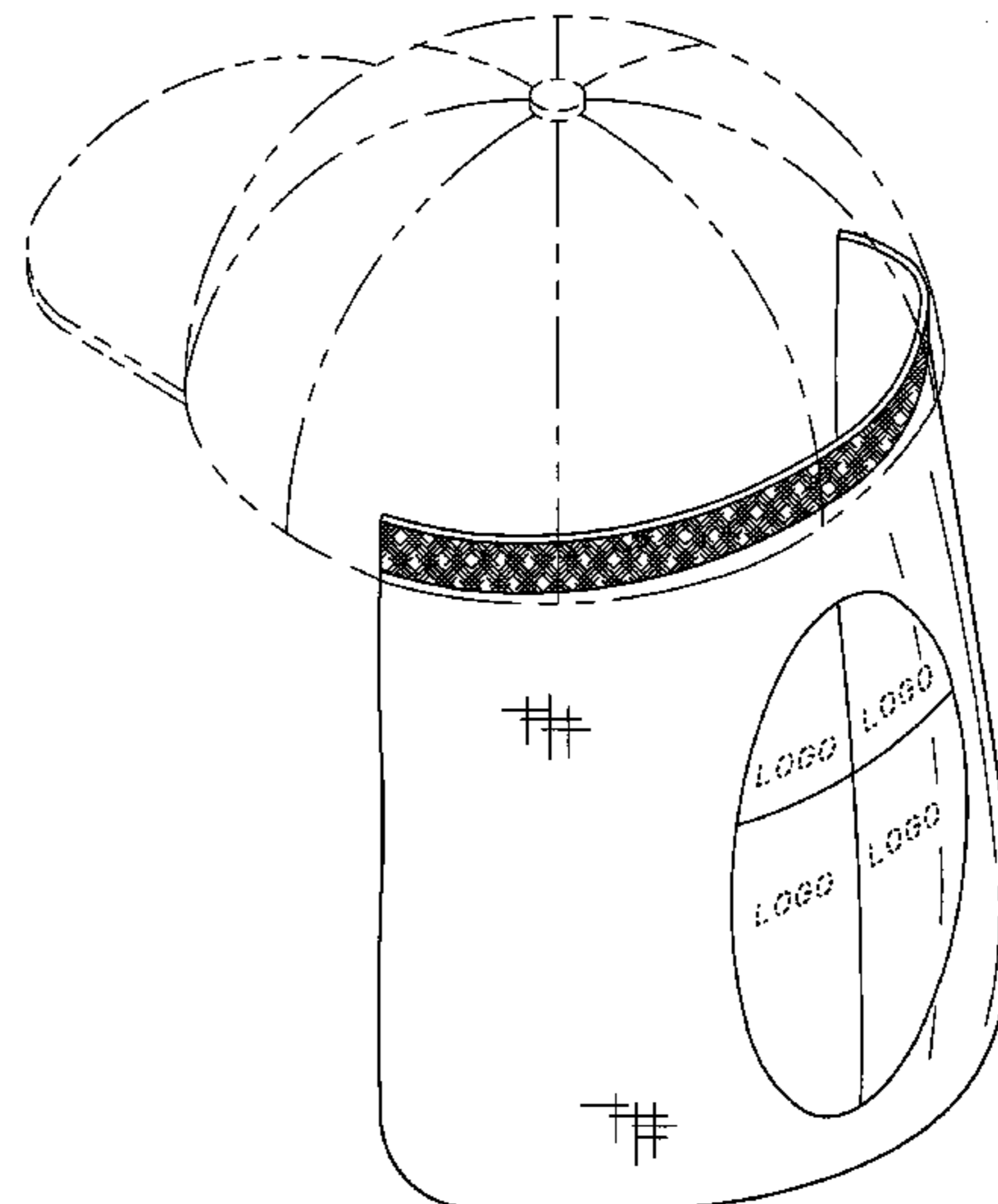
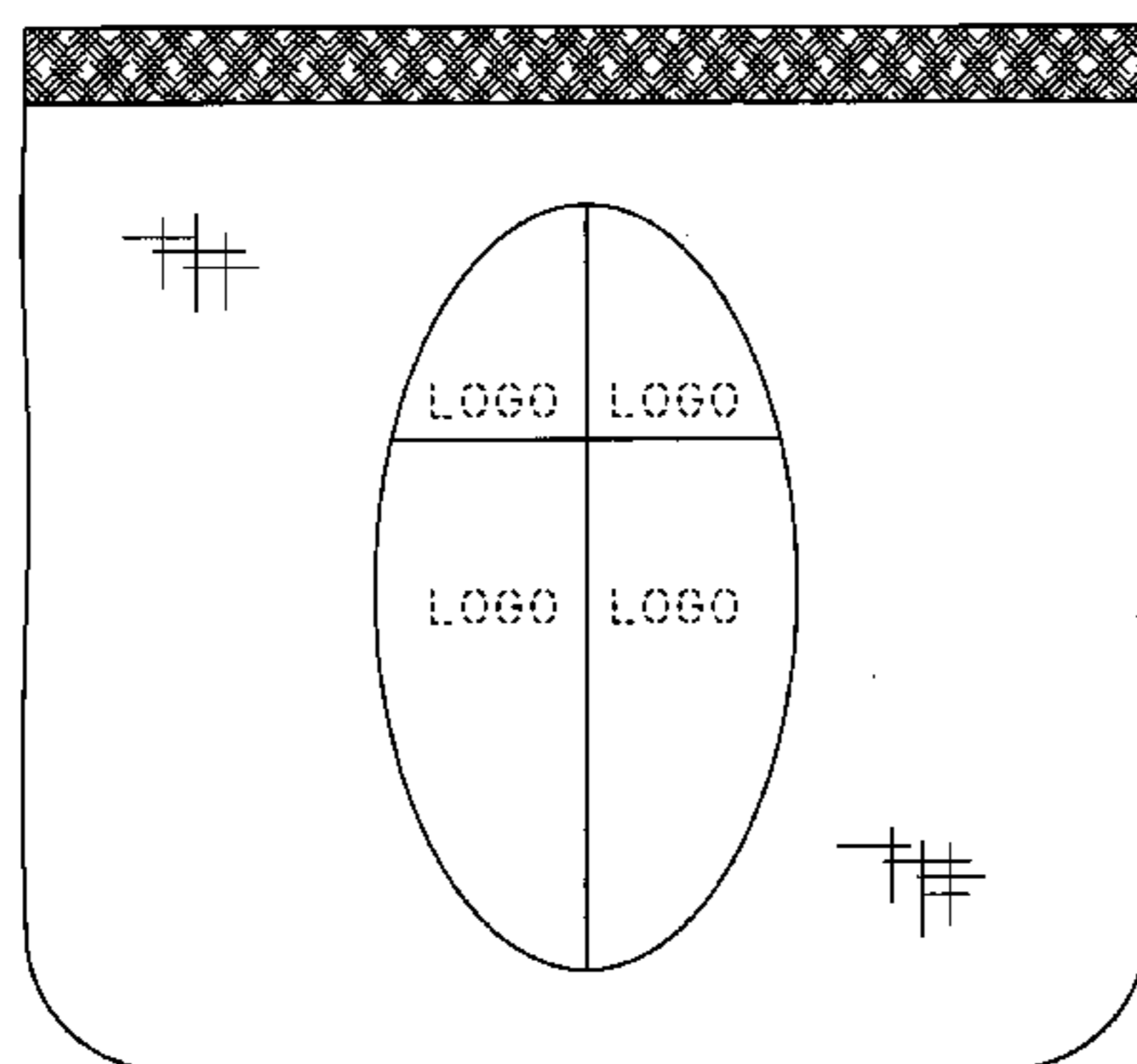


FIG. 1

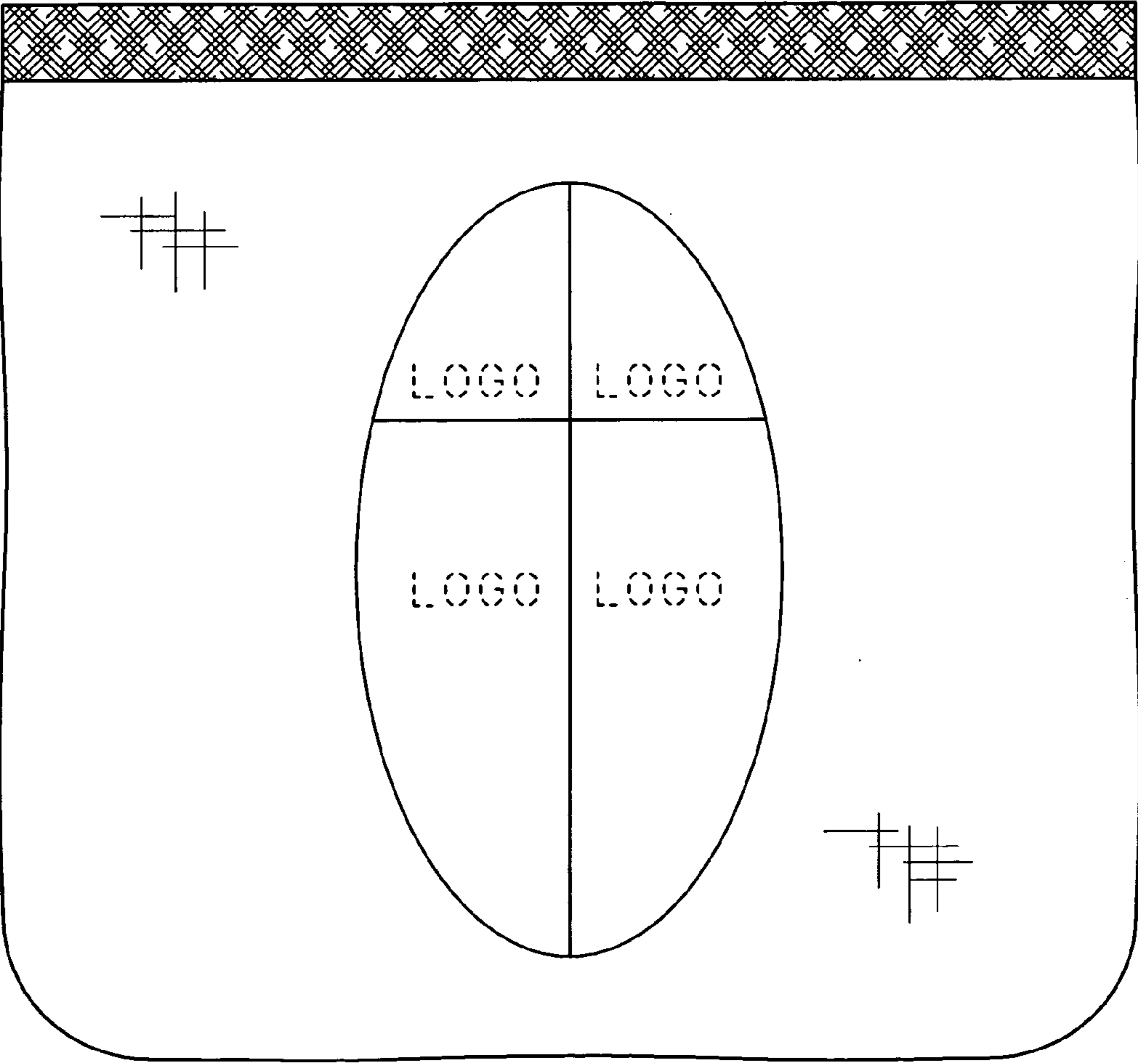
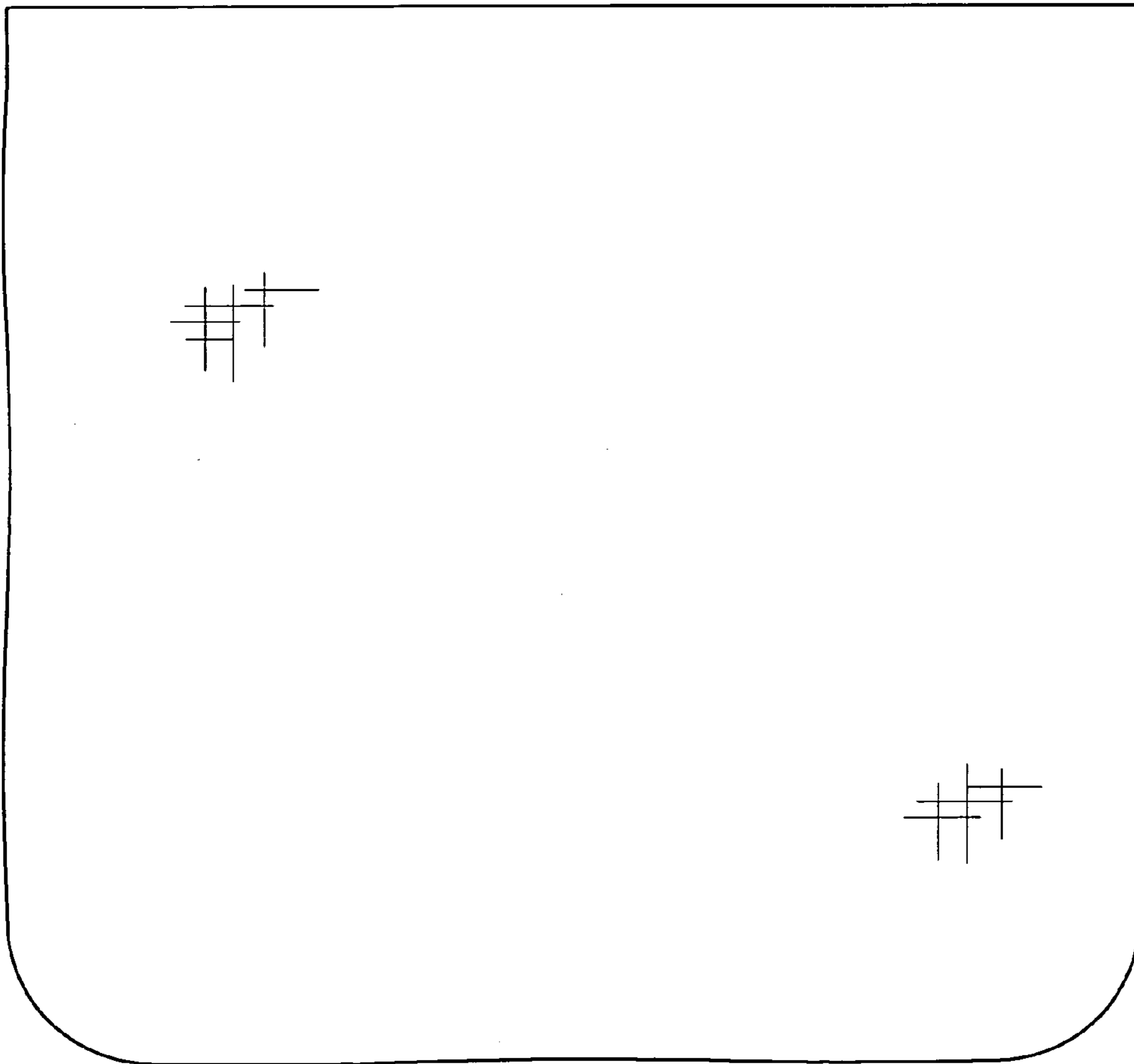


FIG. 2



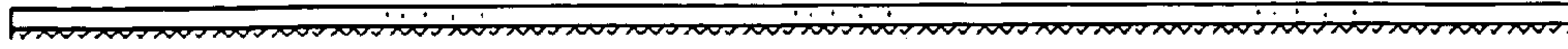


FIG. 4

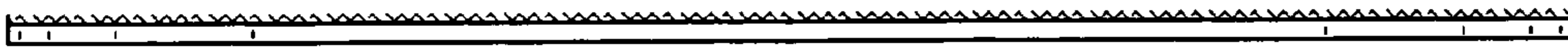


FIG. 5



FIG. 3

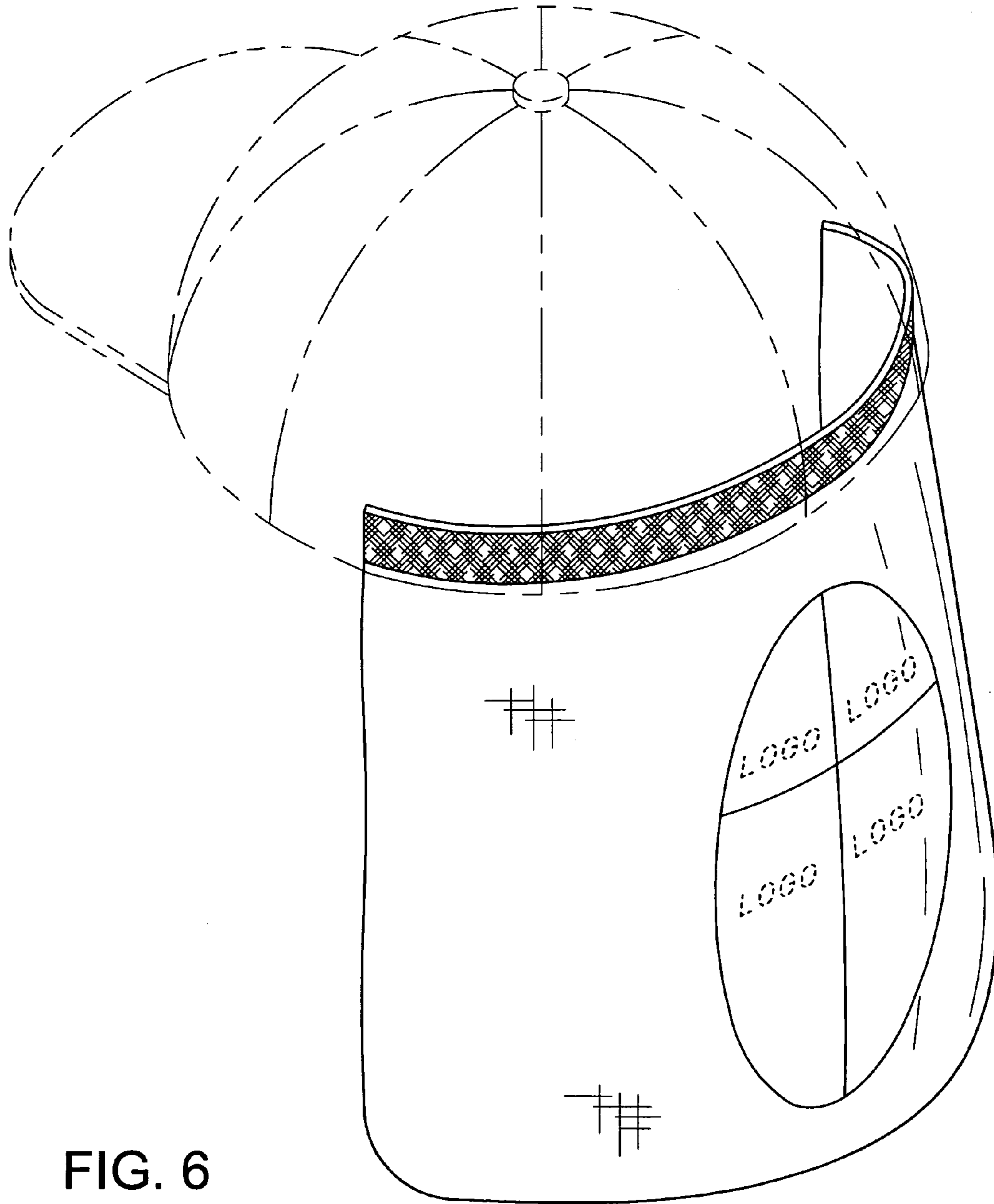


FIG. 6