



US00D594185S

(12) **United States Design Patent**
Lacy

(10) **Patent No.:** **US D594,185 S**
(45) **Date of Patent:** **** Jun. 16, 2009**

(54) **SUN HAT**

(76) **Inventor:** **Robbin J Lacy**, 716 S. Pacific Hwy.,
Talent, OR (US) 97640

(**) **Term:** **14 Years**

(21) **Appl. No.:** **29/313,000**

(22) **Filed:** **Nov. 28, 2008**

(51) **LOC (9) Cl.** **02-03**

(52) **U.S. Cl.** **D2/879**

(58) **Field of Classification Search** D2/865,
D2/866, 871, 872, 873, 875, 876, 877, 878,
D2/879, 880, 881, 882, 884, 886, 891, 892,
D2/893, 894, 895; D28/41; 2/171, 171.04,
2/171.4, 171.5, 171.6, 171.8, 172, 181, 175.1,
2/175.3, 175.6, 175.7, 195.1, 195.2, 195.3,
2/195.4, 195.7, 200.1, 200.2, 200.3, 204,
2/205, 209.11, 209.12, 209.13

See application file for complete search history.

(56) **References Cited**

U.S. PATENT DOCUMENTS

813,467	A *	2/1906	Taylor et al.	2/204
1,261,073	A *	4/1918	van Raalte	2/207
D121,457	S *	7/1940	Nu Dell	D2/876
D130,406	S *	11/1941	Lester	D2/880
2,349,471	A *	5/1944	Starbeck	2/171.5
D152,995	S *	3/1949	McKie	D2/879
D174,911	S *	6/1955	Magid	D2/880
4,980,928	A *	1/1991	Ellis	2/88
5,091,995	A *	3/1992	Oates	2/209
5,351,343	A *	10/1994	Harbison	2/423
5,488,740	A *	2/1996	Garza	2/175.1
5,664,261	A *	9/1997	Lacy	2/172
5,694,648	A *	12/1997	Nucifora	2/172
D391,740	S *	3/1998	Barrington et al.	D2/841
5,727,250	A *	3/1998	Black	2/10
D399,992	S *	10/1998	Edmark	D2/880
D402,088	S *	12/1998	Edwards	D2/866
5,857,219	A *	1/1999	Edmark	2/182.2
D416,665	S *	11/1999	Jones	D2/874

D423,196	S *	4/2000	White	D2/882
6,260,206	B1 *	7/2001	MacDonald et al.	2/181
6,484,323	B1 *	11/2002	Pu	2/410
D482,185	S *	11/2003	Park	D2/876
D496,145	S *	9/2004	Lacey	D2/866
D525,413	S *	7/2006	Javits, Jr.	D2/875
D529,261	S *	10/2006	Cope	D2/873
D577,477	S *	9/2008	Mulaw	D2/877

OTHER PUBLICATIONS

Purple hat (model not identified) as shown on www.sundayafternoons.com, viewed Apr. 1, 2009 (1 page).*

Two pictures of a hat (model not identified) by Sunday Afternoons, as shown on Sunday Afternoon's Facebook page (at www.facebook.com), images posted on Oct. 27, 2008 (2 pages).*

Article about Sunday Afternoons as posted on www.surfexpo.com with a picture of inventor wearing related design, the "Adventure" hat, viewed Apr. 1, 2009 (2 pages).*

* cited by examiner

Primary Examiner—Elizabeth A Albert

Assistant Examiner—Karen E Eldridge Powers

(74) *Attorney, Agent, or Firm*—Gerald D. Haynes

(57) **CLAIM**

The ornamental design for a sun hat, as shown and described.

DESCRIPTION

FIG. 1 is a front perspective view of a sun hat showing my new design;

FIG. 2 is a front view thereof;

FIG. 3 is a back view thereof;

FIG. 4 is a right side view thereof;

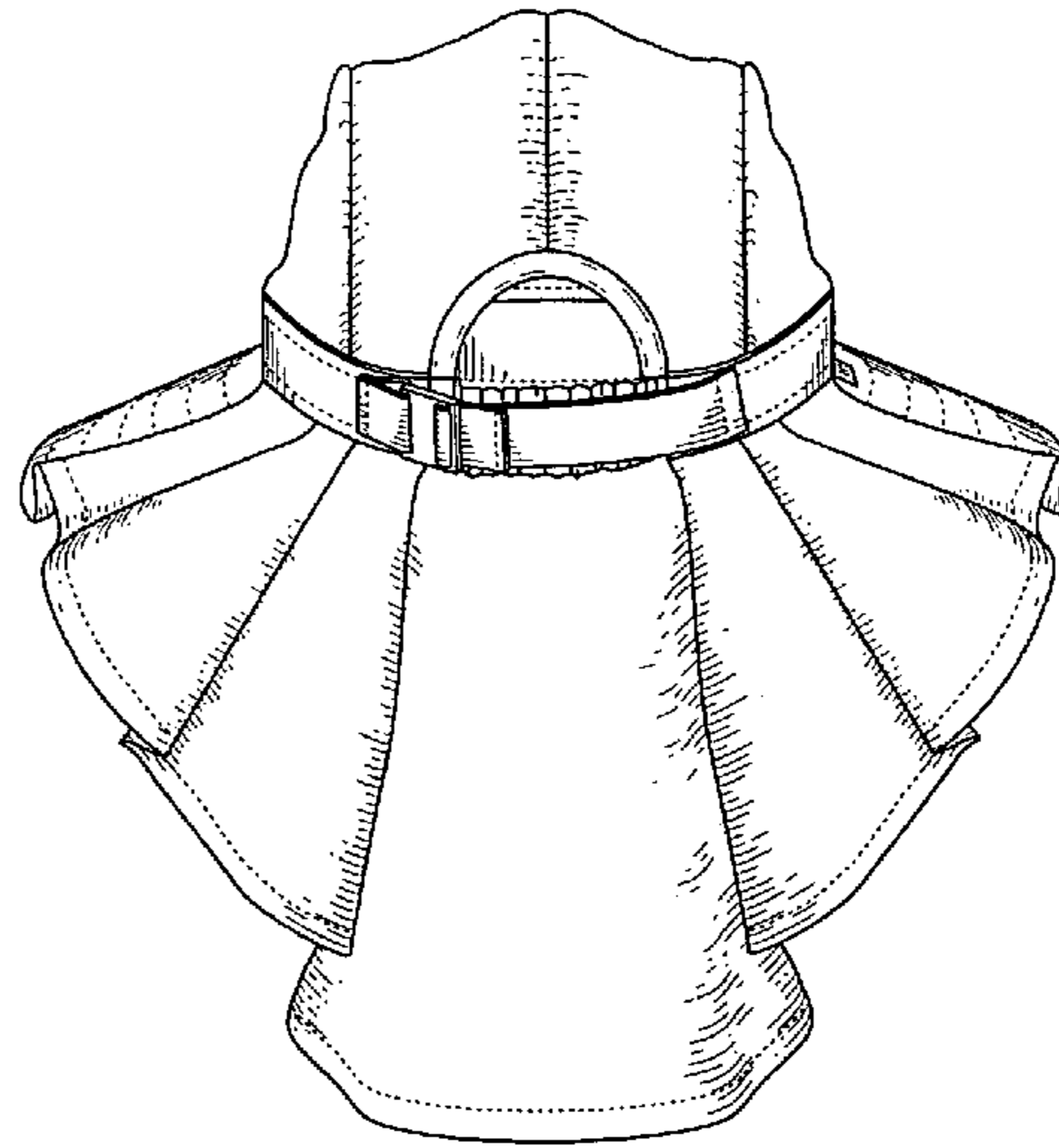
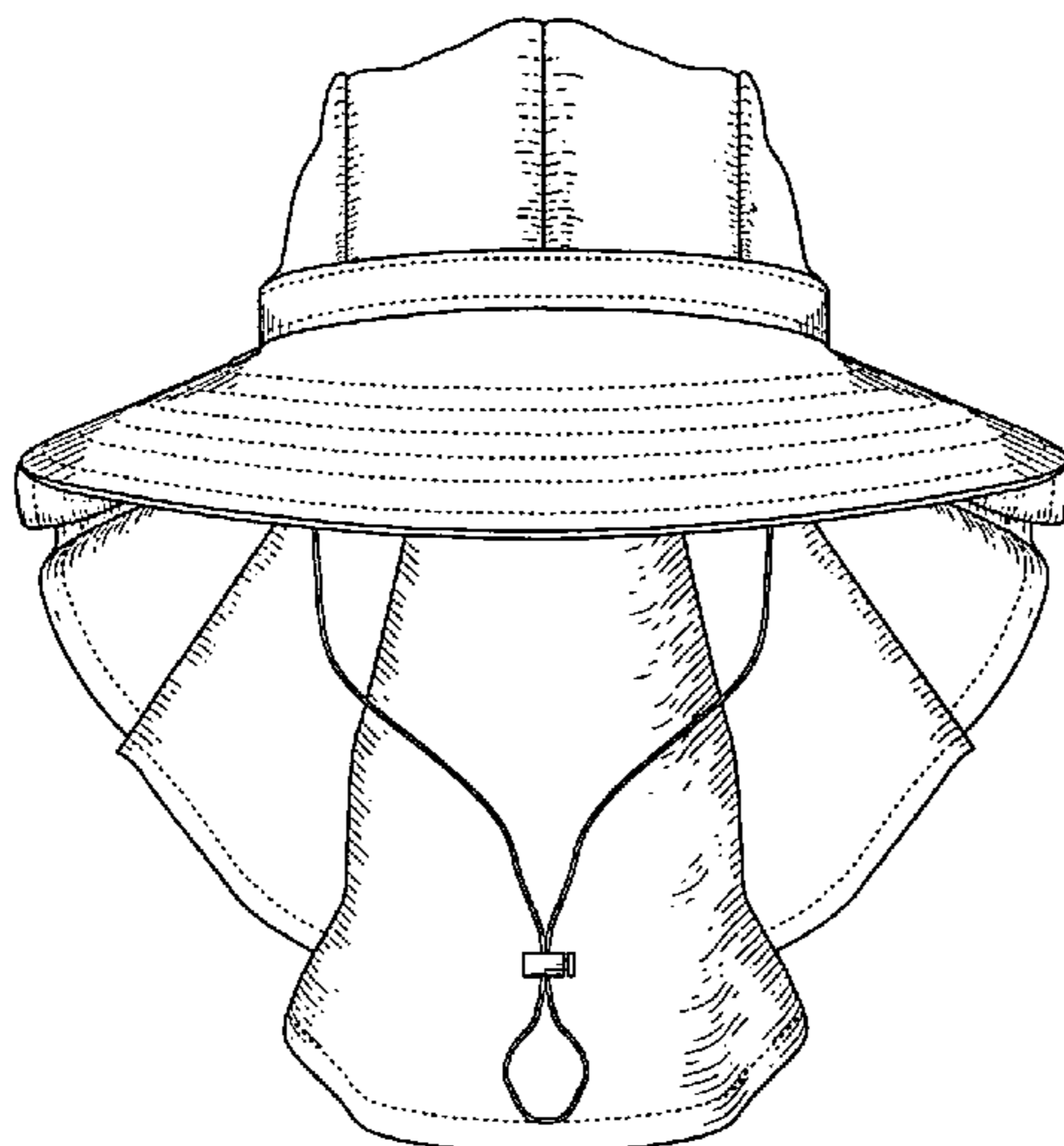
FIG. 5 is a left side thereof;

FIG. 6 is a bottom view; and,

FIG. 7 is a top view thereof.

The broken lines shown in the drawings are stitch lines and form a part of the claimed design.

1 Claim, 4 Drawing Sheets



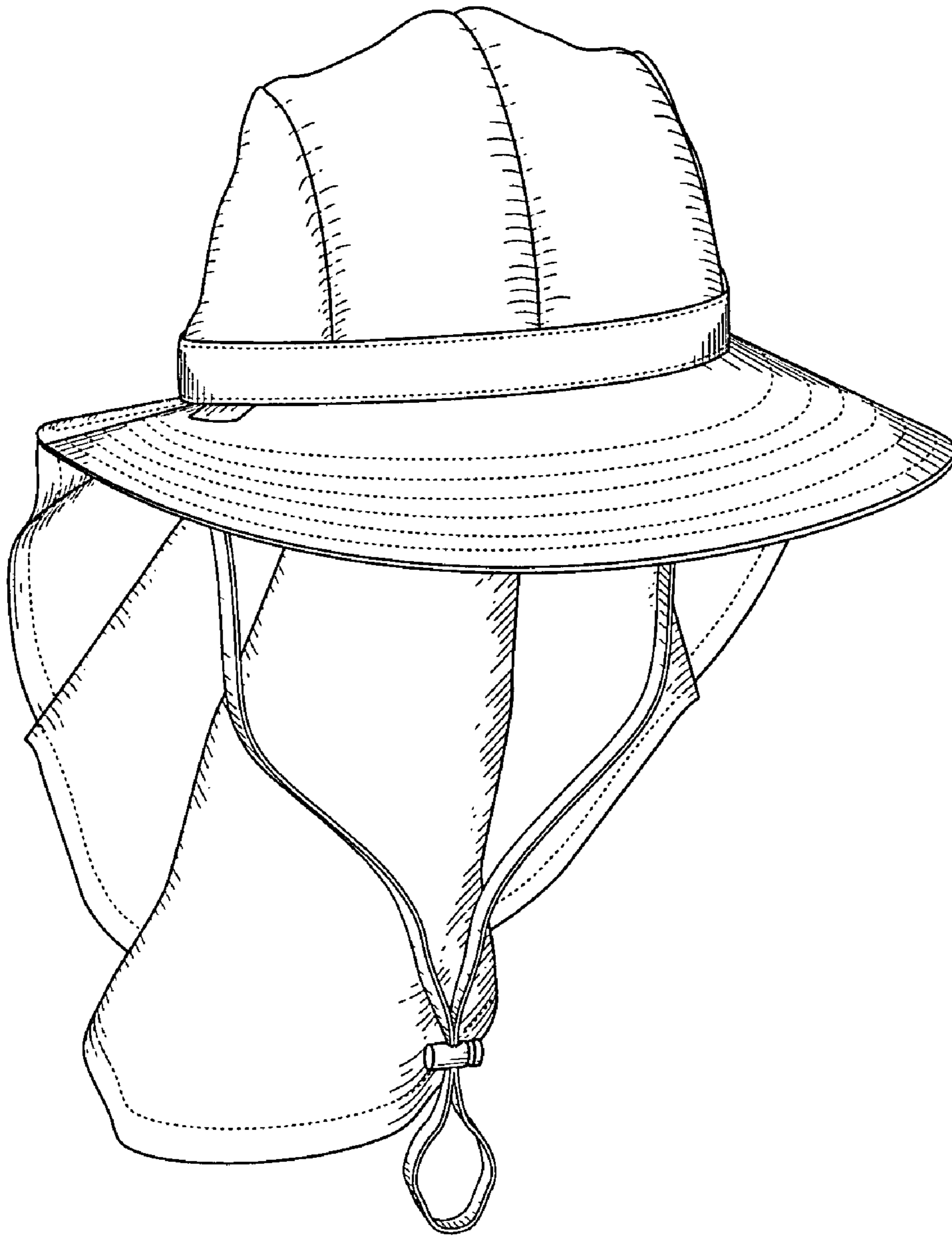


FIG. 1

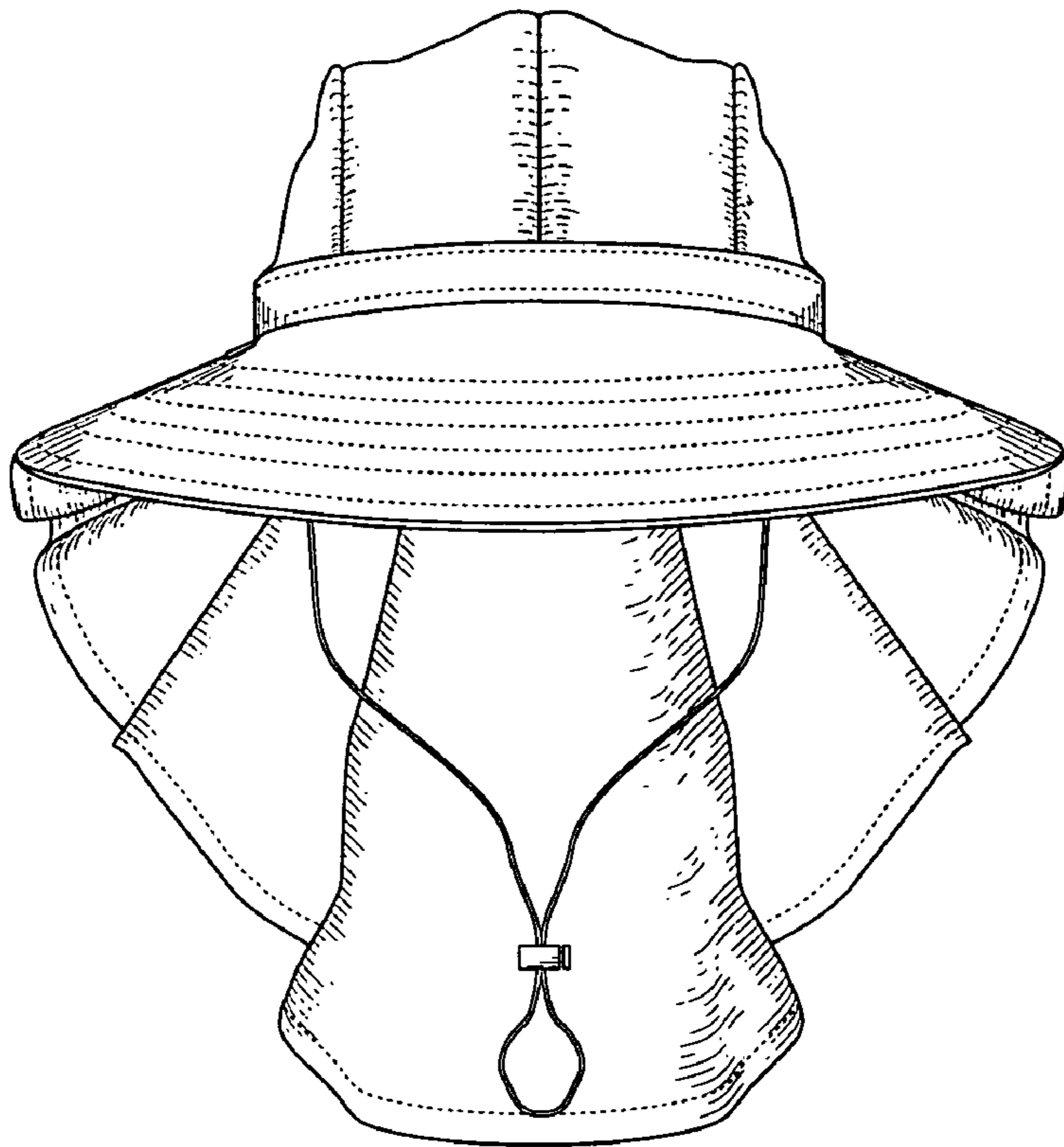


FIG. 2

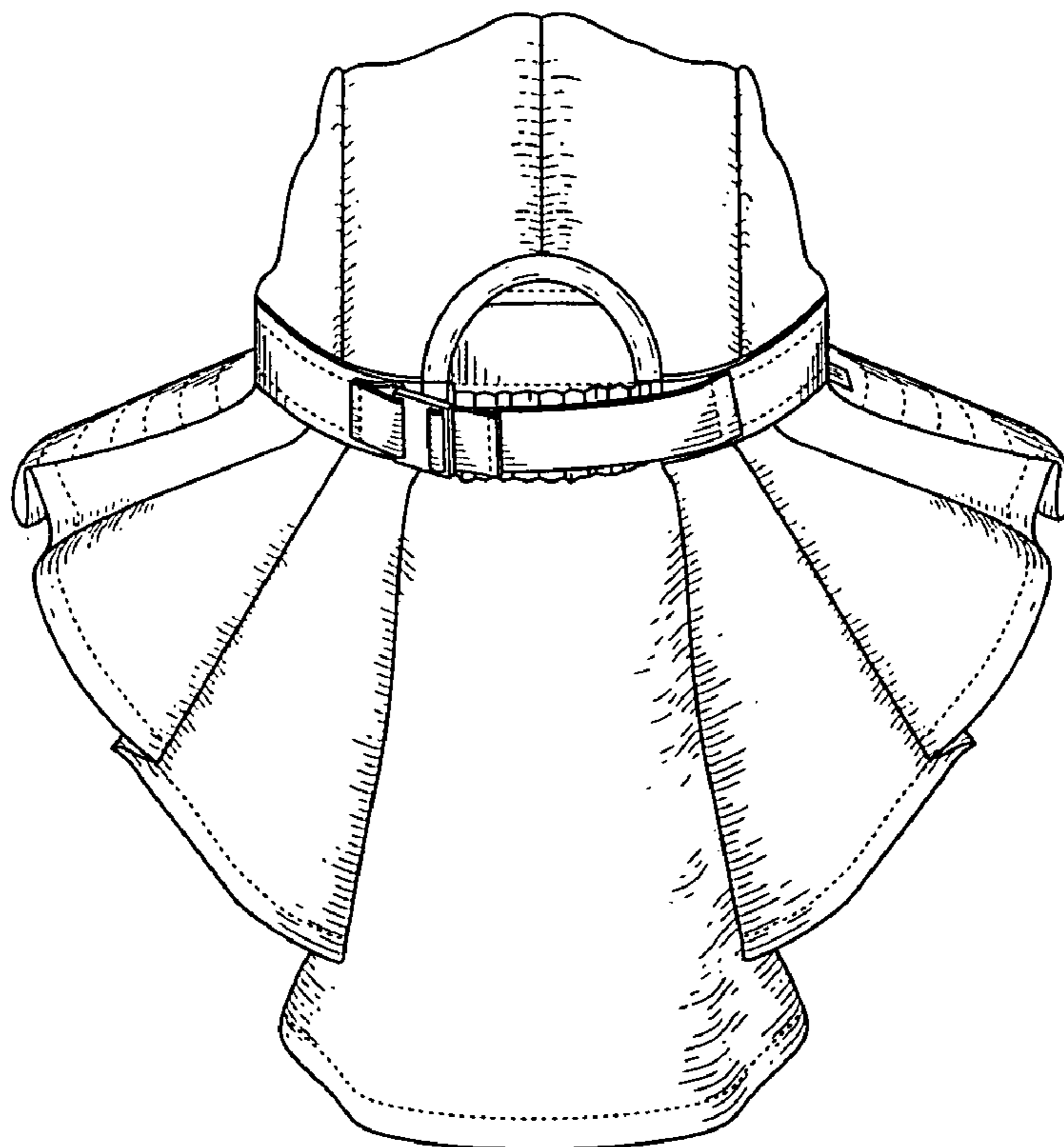


FIG. 3

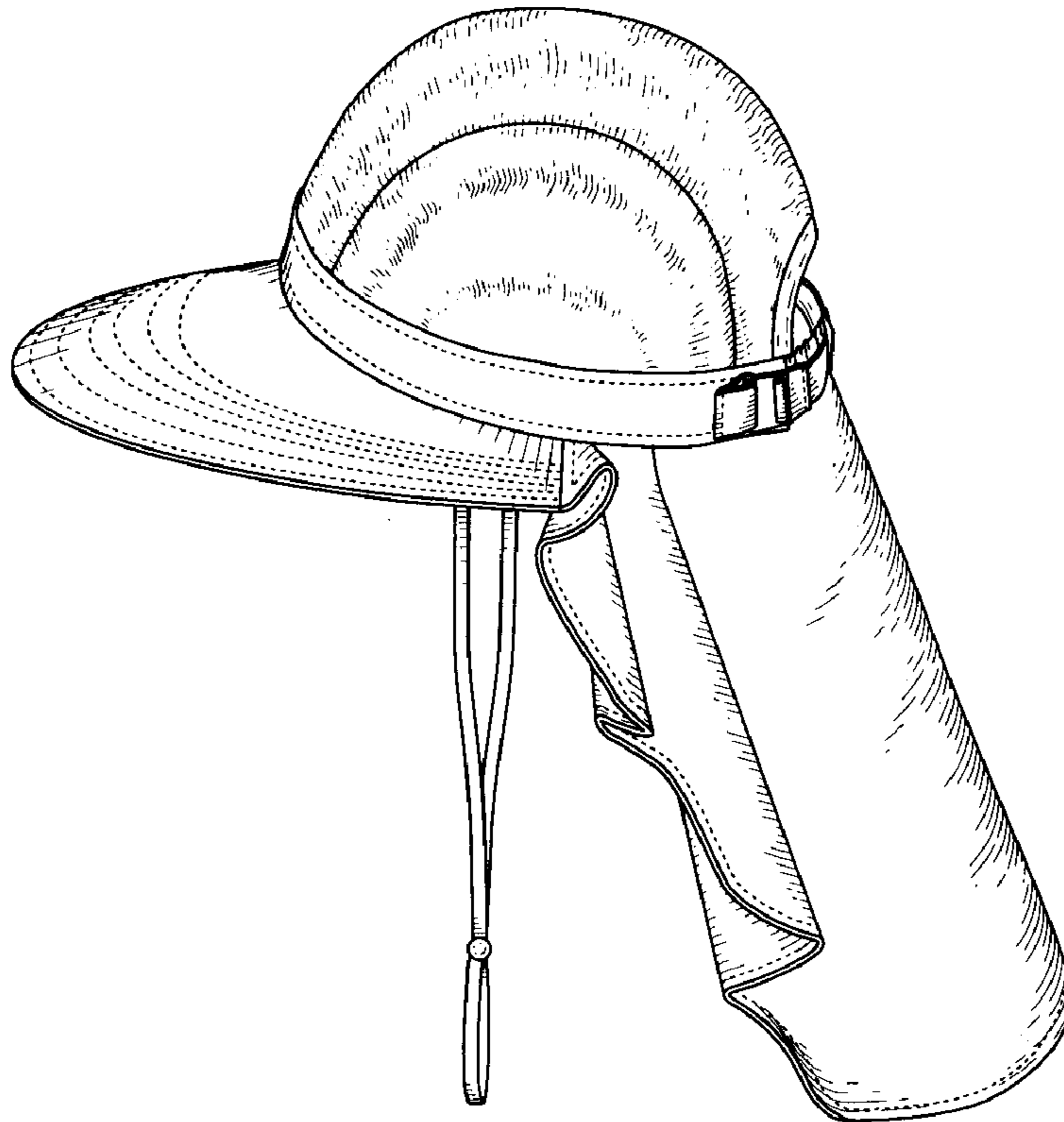


FIG. 4

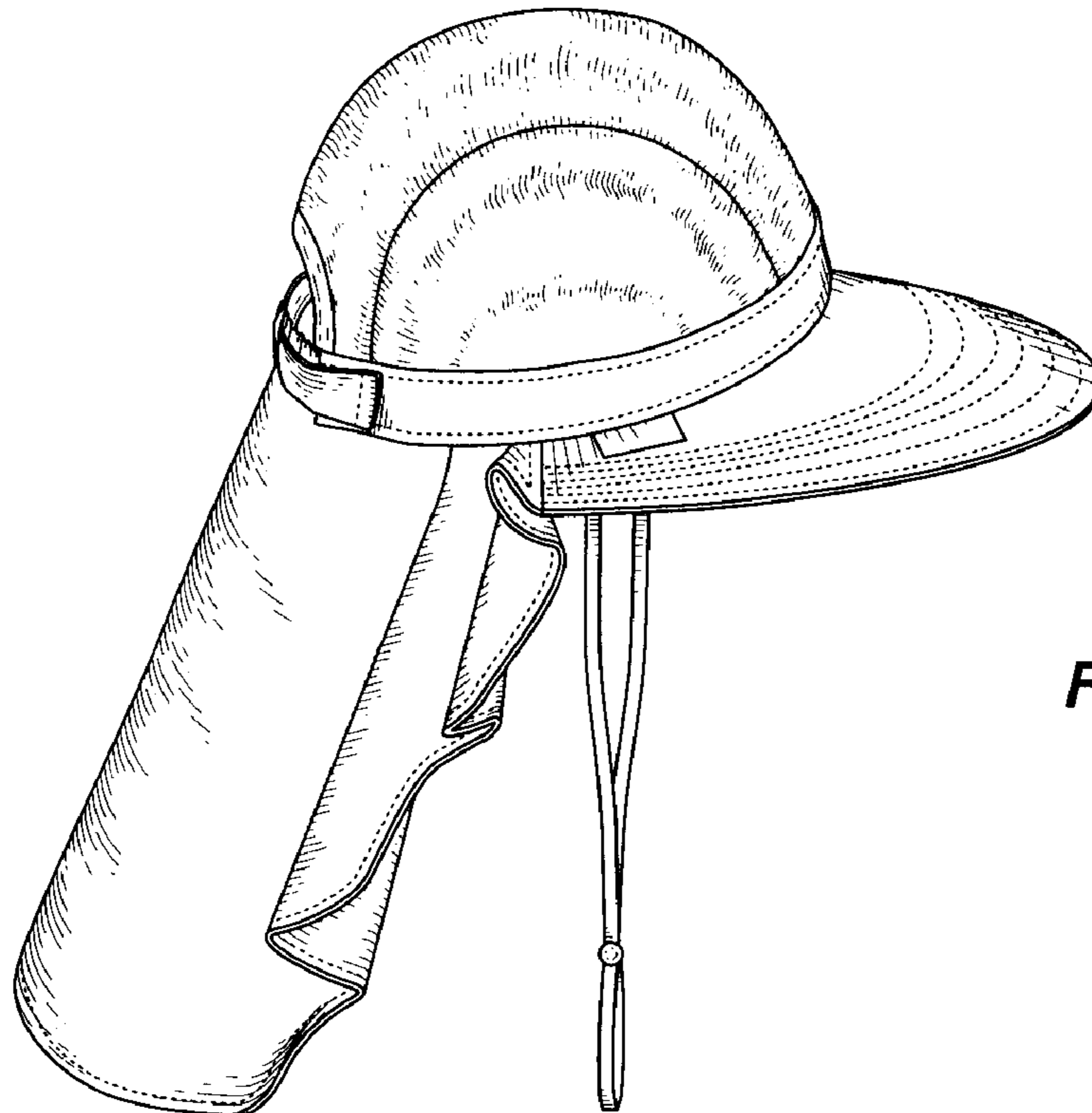


FIG. 5

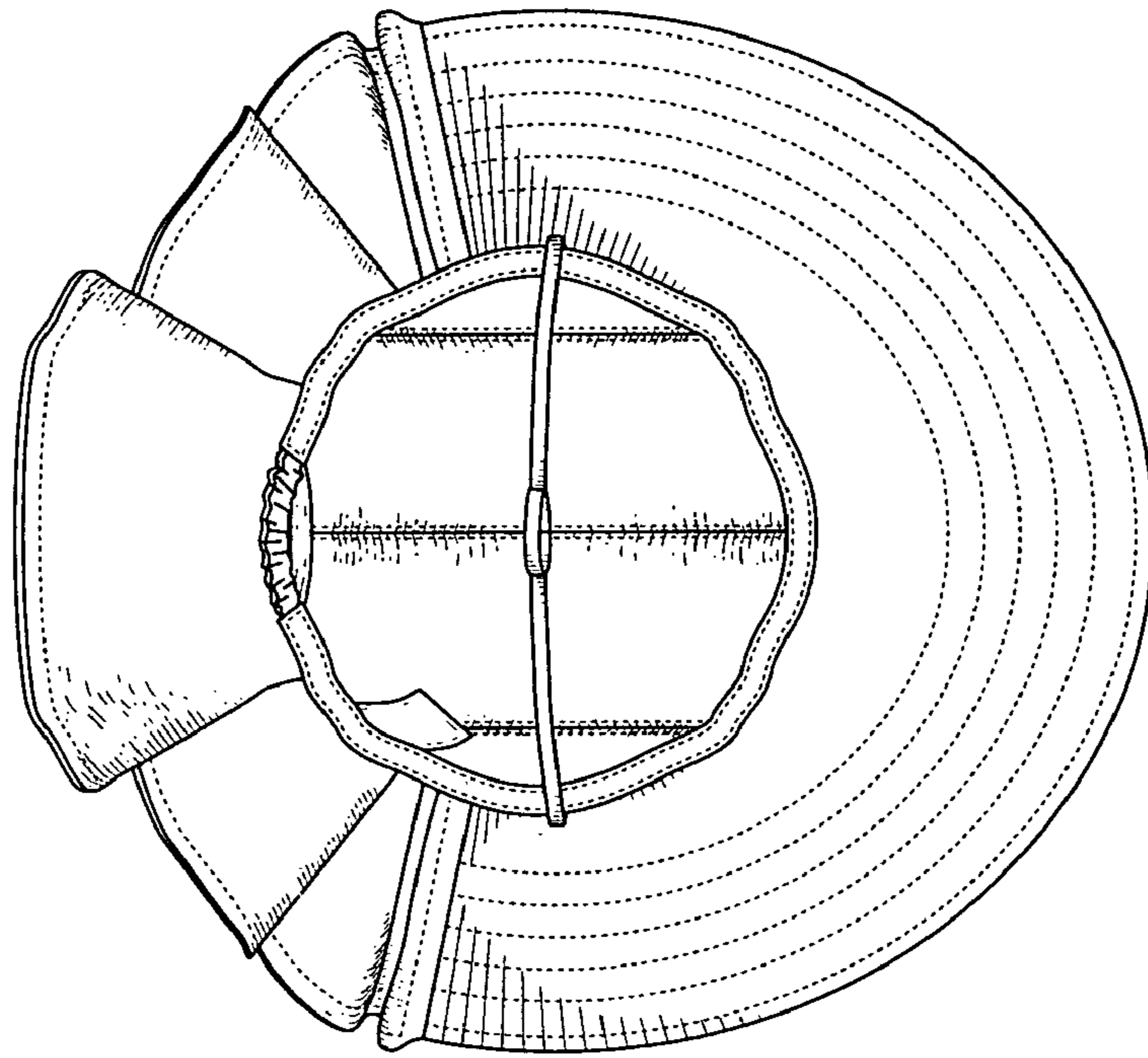


FIG. 6

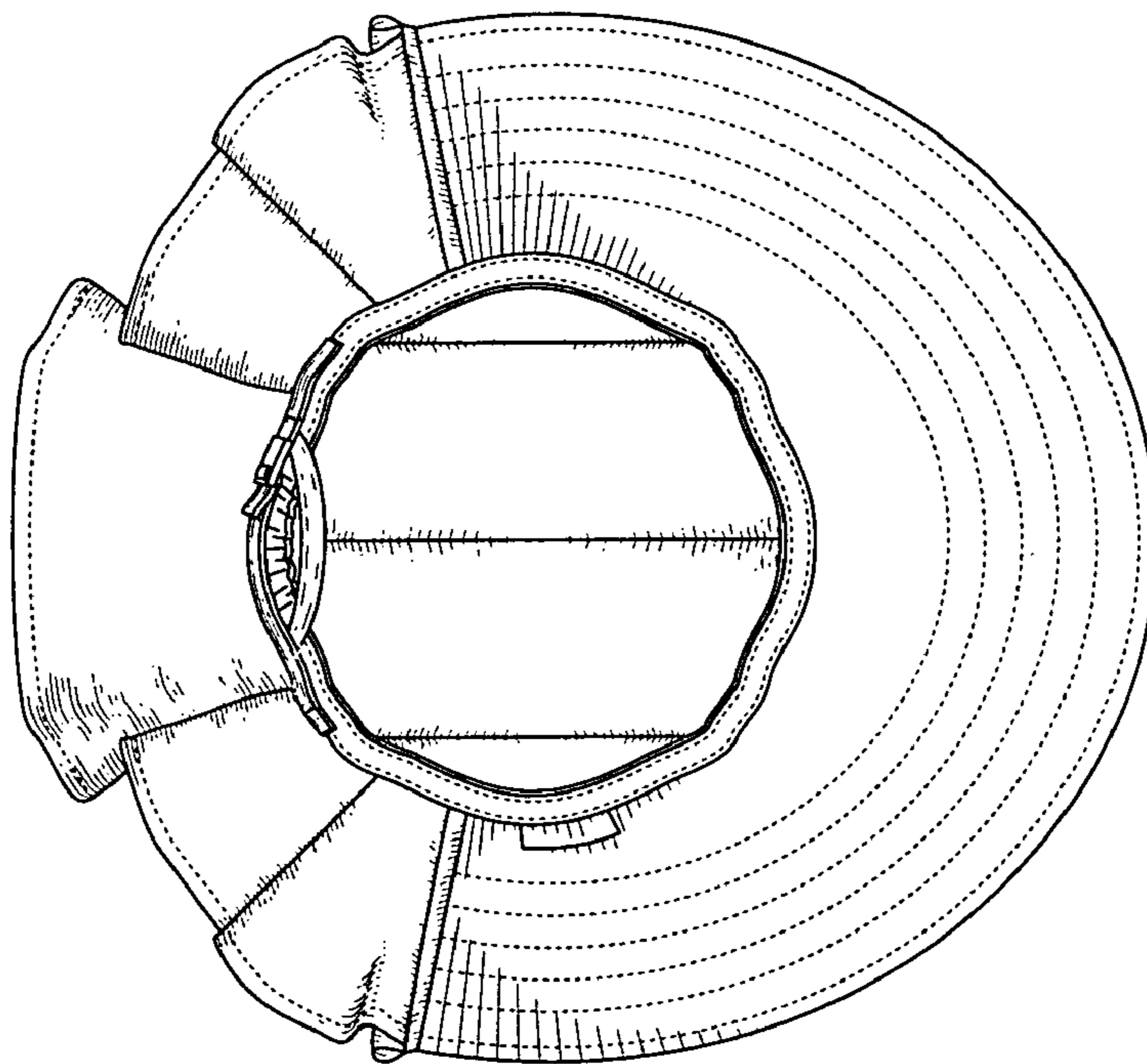


FIG. 7