



US00D594183S

(12) **United States Design Patent**
Sagedy

(10) **Patent No.:** **US D594,183 S**

(45) **Date of Patent:** **** Jun. 16, 2009**

(54) **BOOT REMOVER**

(76) Inventor: **Thomas J. Sagedy**, 60 G St., Seaside Park, NJ (US) 08752

(**) Term: **14 Years**

(21) Appl. No.: **29/318,879**

(22) Filed: **May 29, 2008**

(51) **LOC (9) Cl.** **07-99**

(52) **U.S. Cl.** **D2/642**

(58) **Field of Classification Search** D2/641-642;
223/111-120

See application file for complete search history.

(56) **References Cited**

U.S. PATENT DOCUMENTS

231,529	A *	8/1880	Boyington	223/115
1,849,282	A *	3/1932	Churchill	223/115
D204,230	S	4/1966	De Andre		
3,490,661	A	1/1970	Williams		
D227,188	S *	6/1973	Hartman	D2/642
3,784,067	A	1/1974	Hicks		
D262,240	S *	12/1981	Greifelt	D2/642
D275,814	S *	10/1984	Windsor	D2/642
D287,542	S *	1/1987	Wilkinson et al.	D2/642

4,760,942	A *	8/1988	Kadar	223/114
D347,313	S *	5/1994	Whitaker	D2/642
D350,011	S *	8/1994	Edwards	D2/642
D412,771	S	8/1999	Kelley		
D420,203	S	2/2000	Watkins		
6,132,002	A *	10/2000	Brown, II	297/423.41
7,048,159	B1 *	5/2006	Bowers	223/115

* cited by examiner

Primary Examiner—T. Chase Nelson
Assistant Examiner—Kathleen M Sims

(57) **CLAIM**

The ornamental design for a boot remover, as shown.

DESCRIPTION

FIG. 1 is a perspective view of a boot remover showing my new design;

FIG. 2 is a top view thereof;

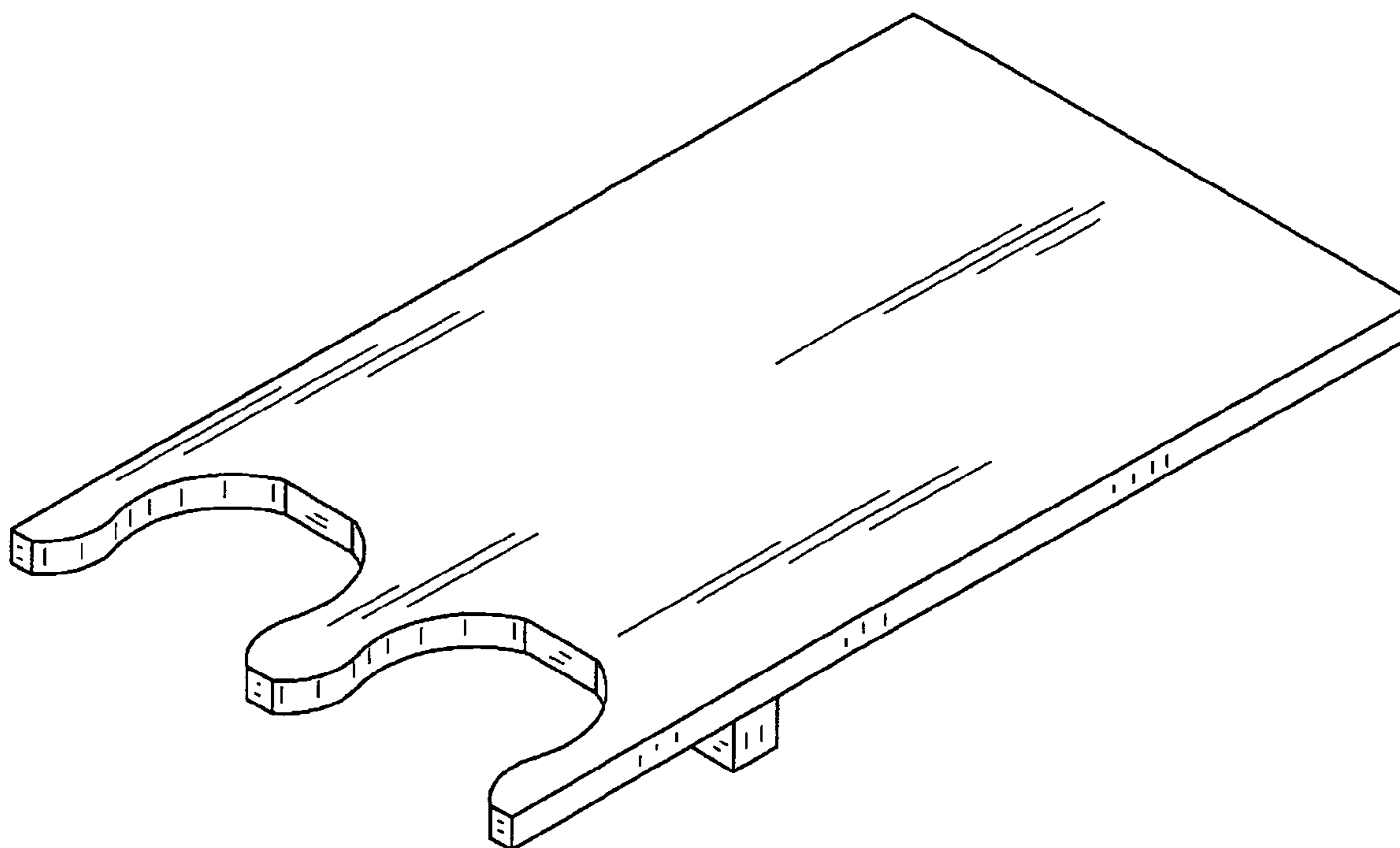
FIG. 3 is a bottom view thereof;

FIG. 4 is a front view thereof;

FIG. 5 is a back view thereof; and,

FIG. 6 is a side view thereof.

1 Claim, 3 Drawing Sheets



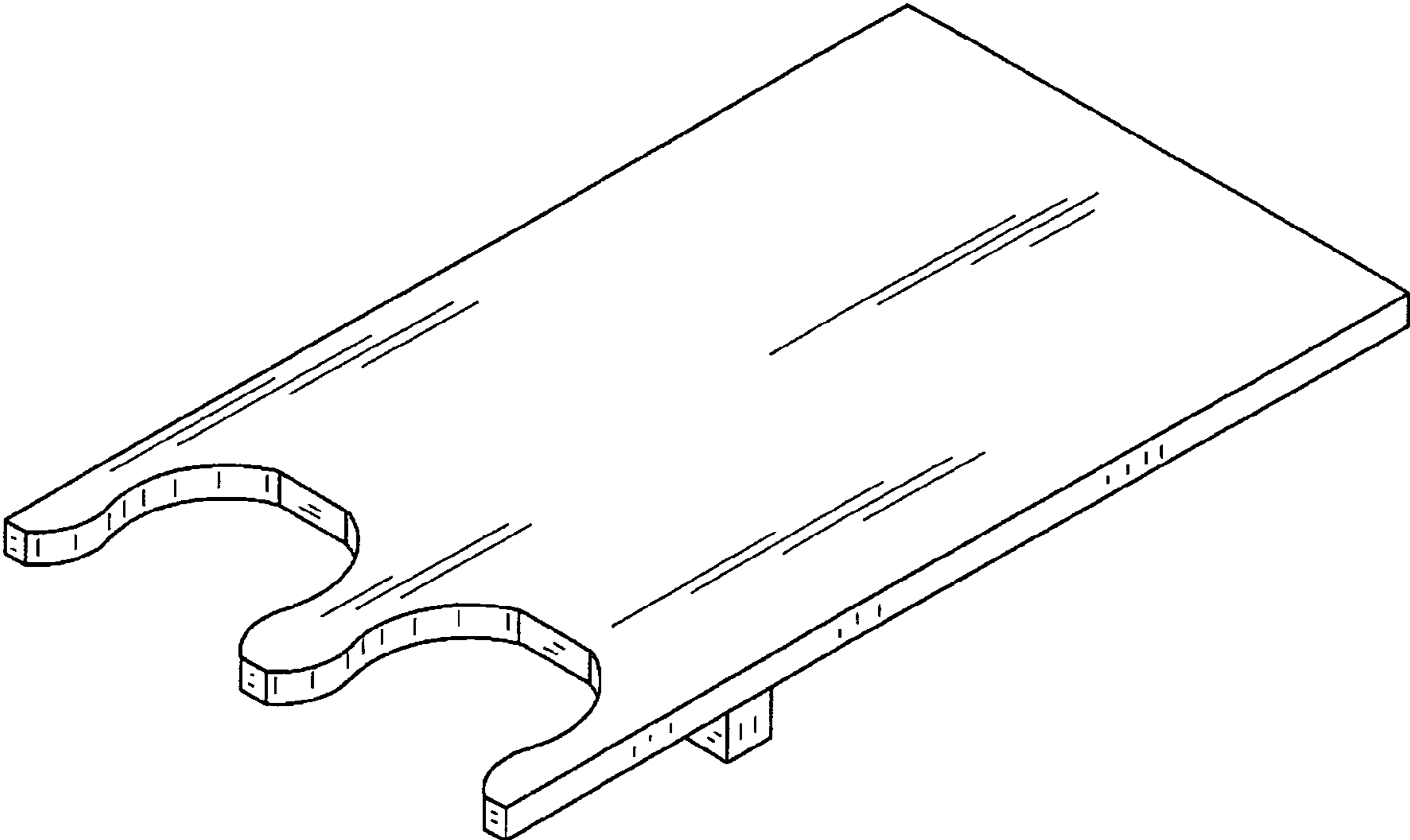


FIG. 1

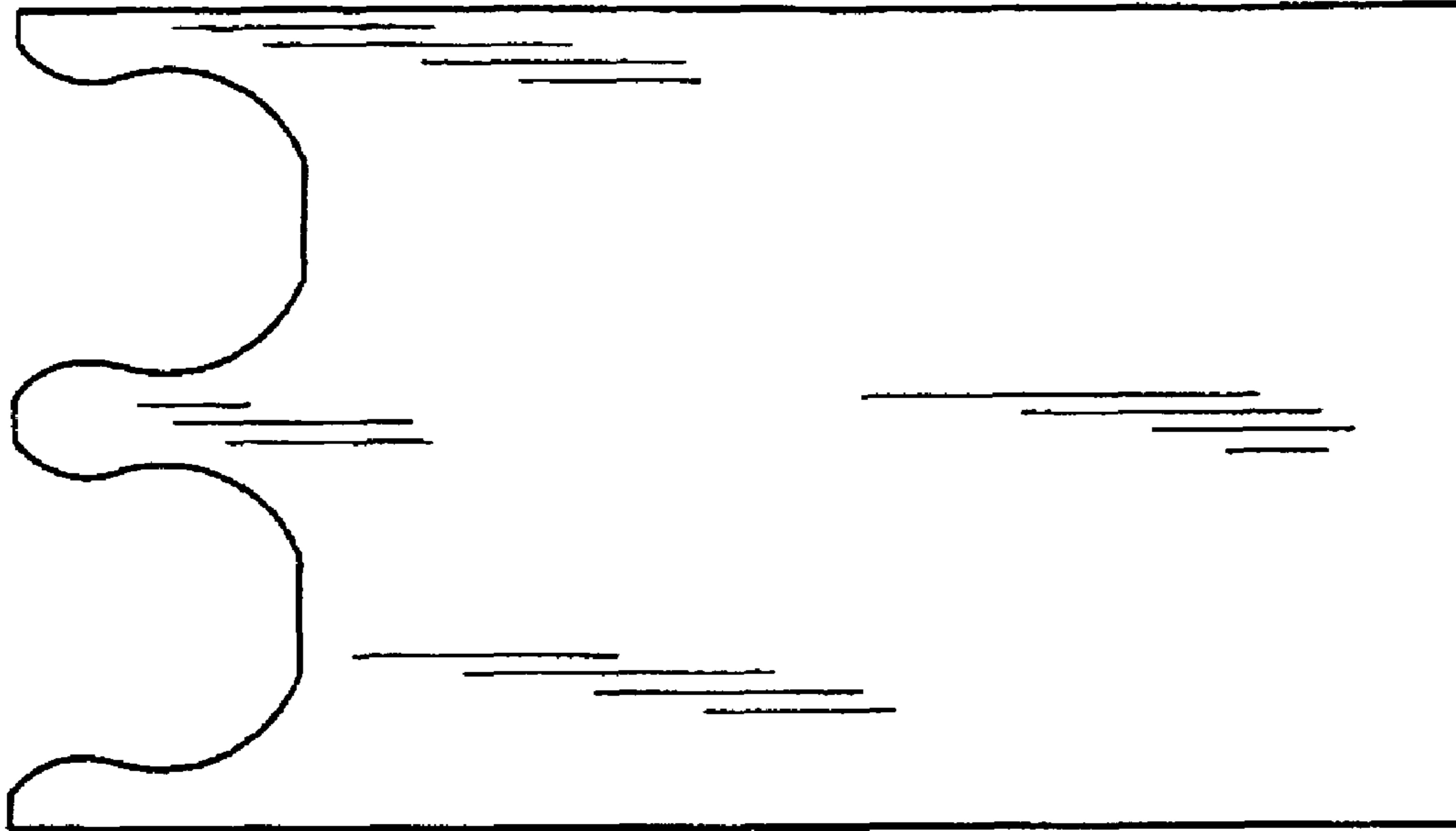


FIG. 2

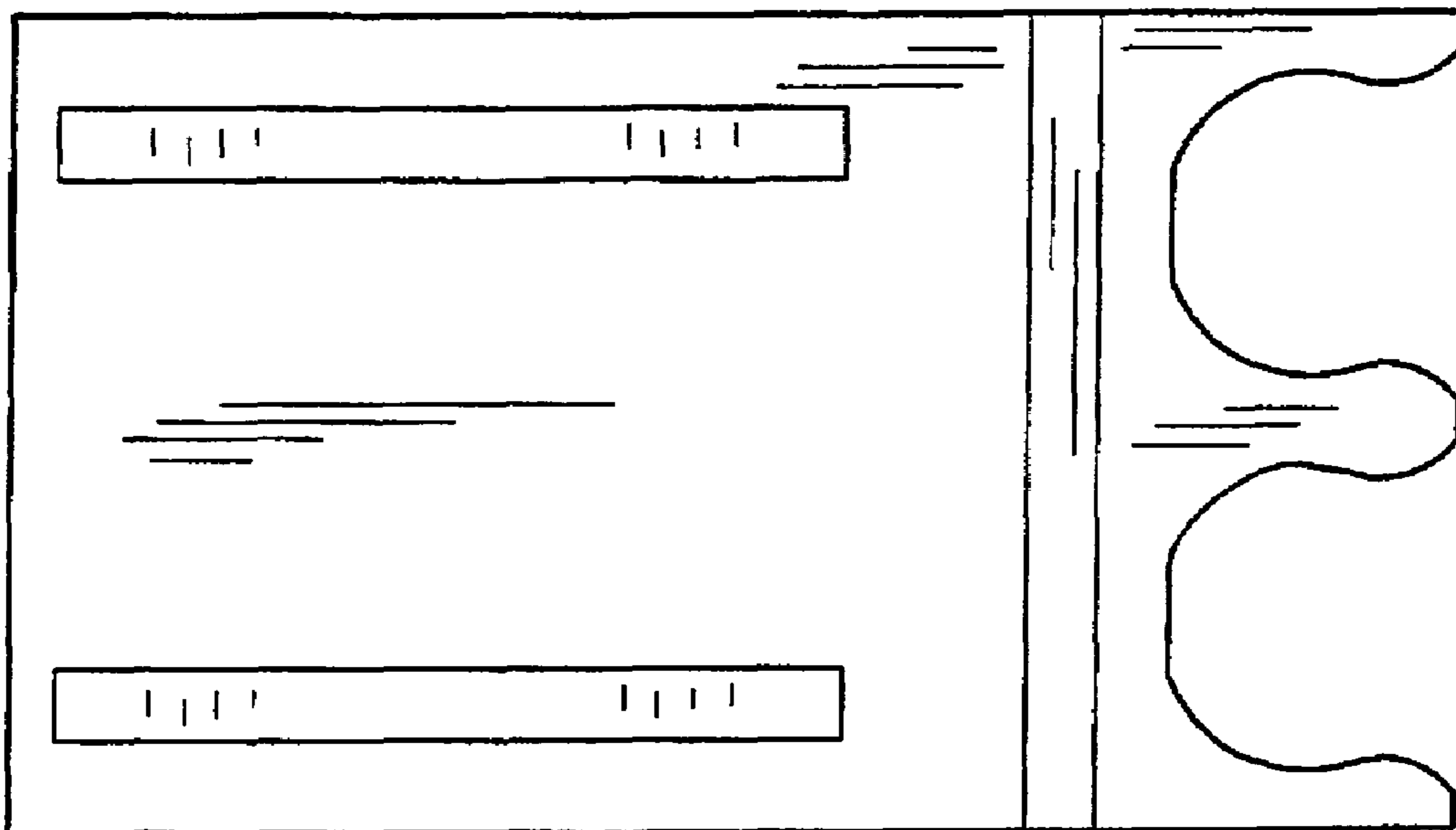


FIG. 3

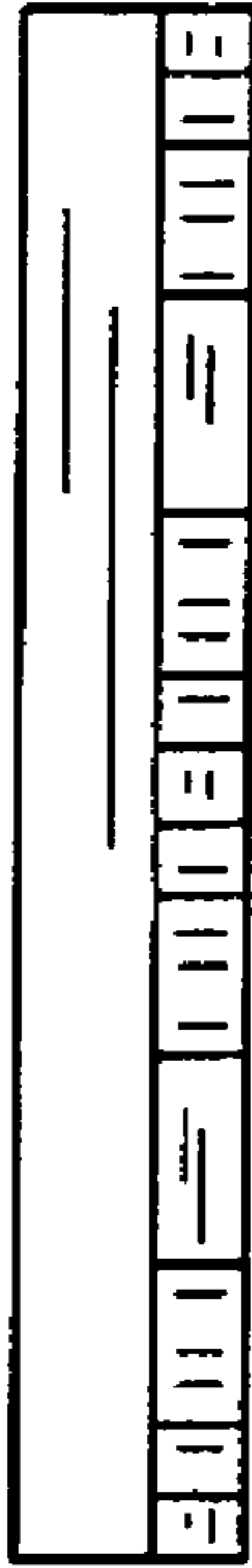


FIG. 4

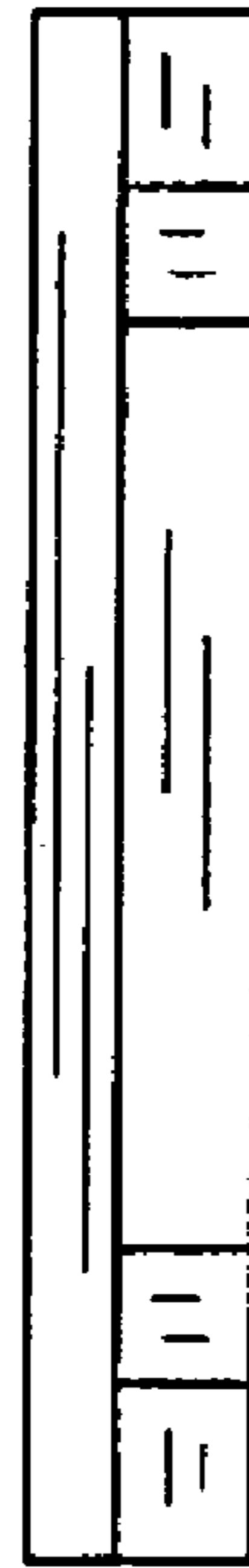


FIG. 5

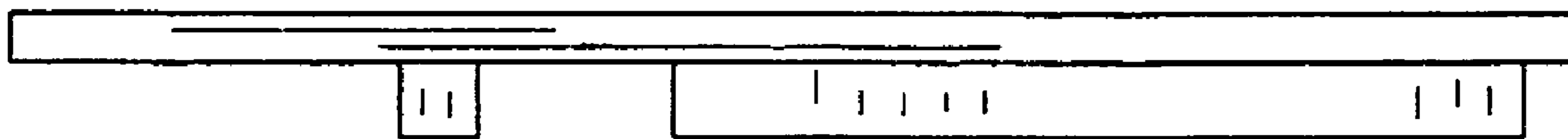


FIG. 6