



US00D594172S

(12) **United States Design Patent**
Shibata et al.

(10) **Patent No.:** **US D594,172 S**

(45) **Date of Patent:** **** Jun. 9, 2009**

(54) **FORKLIFT TRUCK**

(75) Inventors: **Naoki Shibata**, Nagoya (JP); **Akihiro Ishigami**, Sagamihara (JP); **Yuichi Ishimura**, Sagamihara (JP)

(73) Assignee: **Mitsubishi Heavy Industries, Ltd.**, Tokyo (JP)

(**) Term: **14 Years**

(21) Appl. No.: **29/309,341**

(22) Filed: **Jul. 29, 2008**

(30) **Foreign Application Priority Data**

Jan. 31, 2008 (JP) 2008-002096

(51) **LOC (9) Cl.** **12-05**

(52) **U.S. Cl.** **D34/34**

(58) **Field of Classification Search** D34/34;
414/685, 465; 180/89.12, 89.14, 89.17; 187/237,
187/238, 414

See application file for complete search history.

(56) **References Cited**

U.S. PATENT DOCUMENTS

D374,752 S *	10/1996	Lee et al.	D34/34
D379,020 S *	4/1997	Avitan	D34/34
D386,872 S *	11/1997	Rick et al.	D34/34
D386,875 S *	11/1997	Kim	D34/34
D386,877 S *	11/1997	Russey et al.	D34/34
D518,268 S *	3/2006	Stark	D34/34
D557,873 S *	12/2007	Miura	D34/35
D558,424 S *	12/2007	Miura	D34/35
D565,825 S *	4/2008	Shibata et al.	D34/34
D570,575 S *	6/2008	Stark	D34/34
D571,074 S *	6/2008	Buchmann et al.	D34/35
D579,169 S *	10/2008	Mori et al.	D34/35

D579,170 S *	10/2008	Mori et al.	D34/35
D579,171 S *	10/2008	Mori et al.	D34/35
D579,622 S *	10/2008	Kim	D34/34
D579,623 S *	10/2008	Kim	D34/34
D582,625 S *	12/2008	Mori et al.	D34/35
D584,873 S *	1/2009	Kuraoka et al.	D34/34
D585,624 S *	1/2009	Mori et al.	D34/34

FOREIGN PATENT DOCUMENTS

JP D1145915 7/2002

OTHER PUBLICATIONS

Japanese Office Action mailed Jun. 10, 2008 for Japanese Design Application No. 2008-002096 w/partial English translation.

* cited by examiner

Primary Examiner—Cynthia E Ramirez

(74) *Attorney, Agent, or Firm*—Wenderoth, Lind & Ponack, L.L.P.

(57) **CLAIM**

The ornamental design for a forklift truck, as shown and described.

DESCRIPTION

FIG. 1 is a front view of the forklift truck showing our new design.

FIG. 2 is a rear view thereof.

FIG. 3 is a top (plan) view thereof.

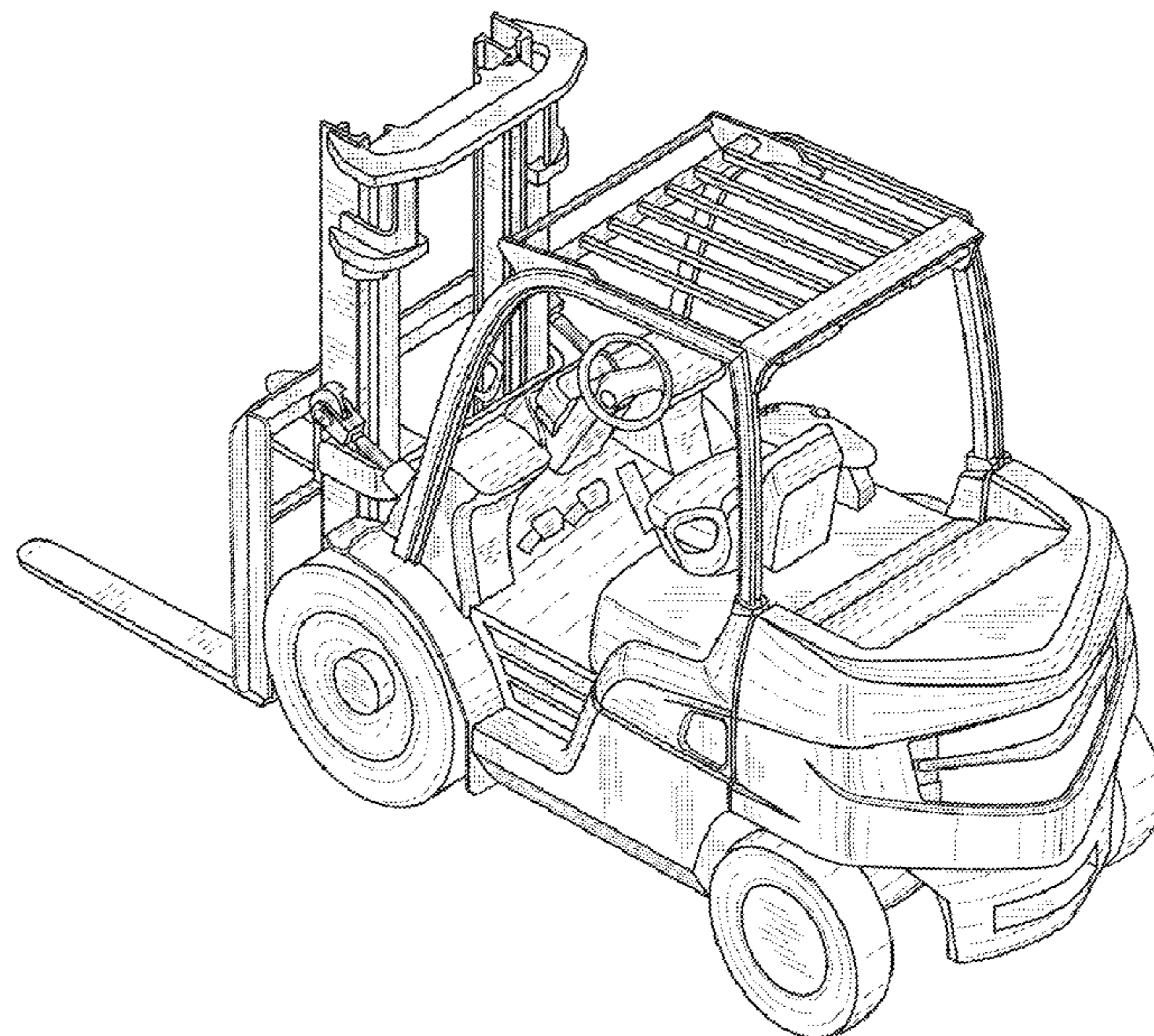
FIG. 4 is a bottom view thereof.

FIG. 5 is a right side view thereof.

FIG. 6 is a left side view thereof; and,

FIG. 7 is a perspective diagram from the rear view of the forklift truck showing our new design thereof.

1 Claim, 7 Drawing Sheets



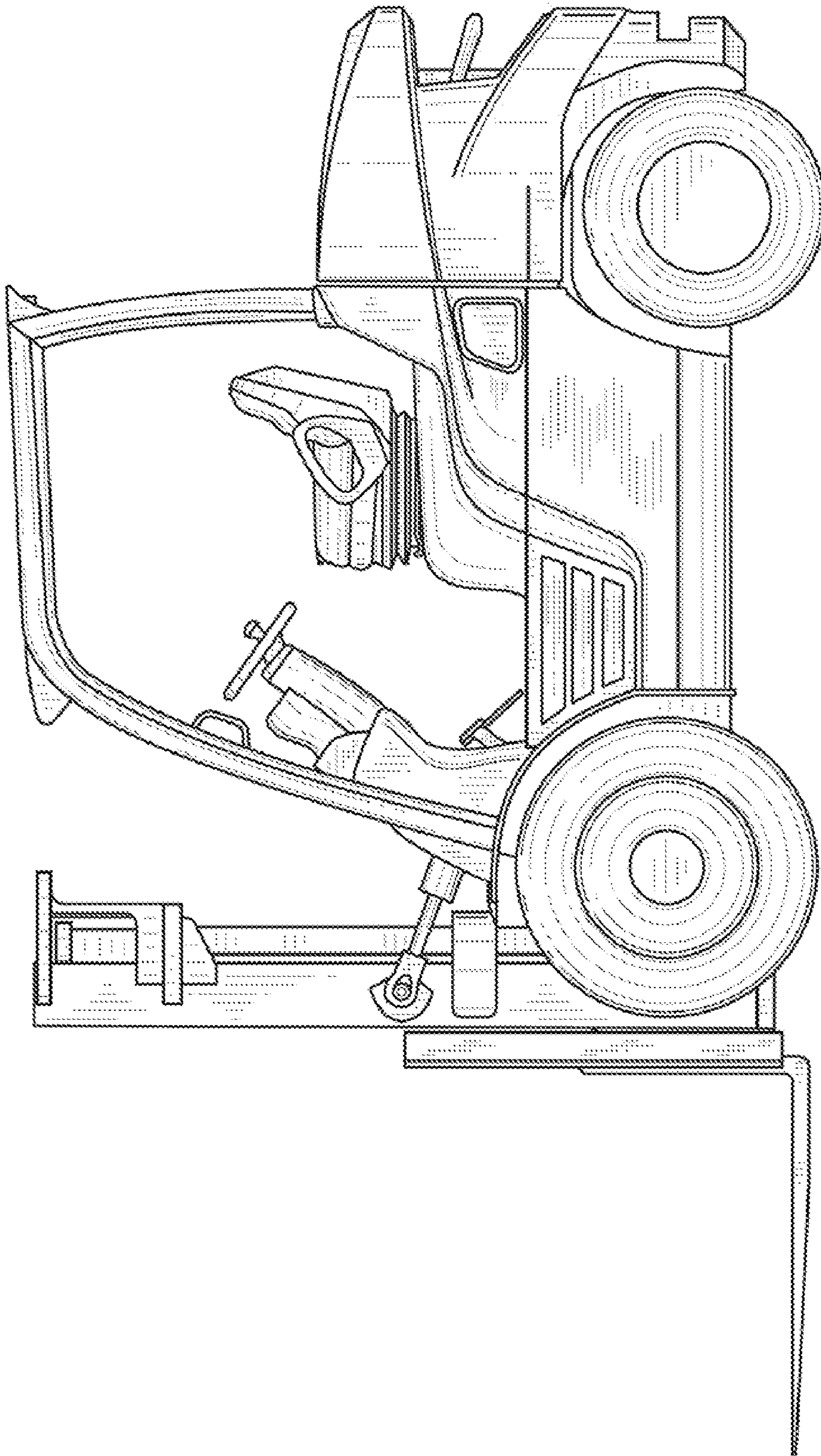


FIG. 1

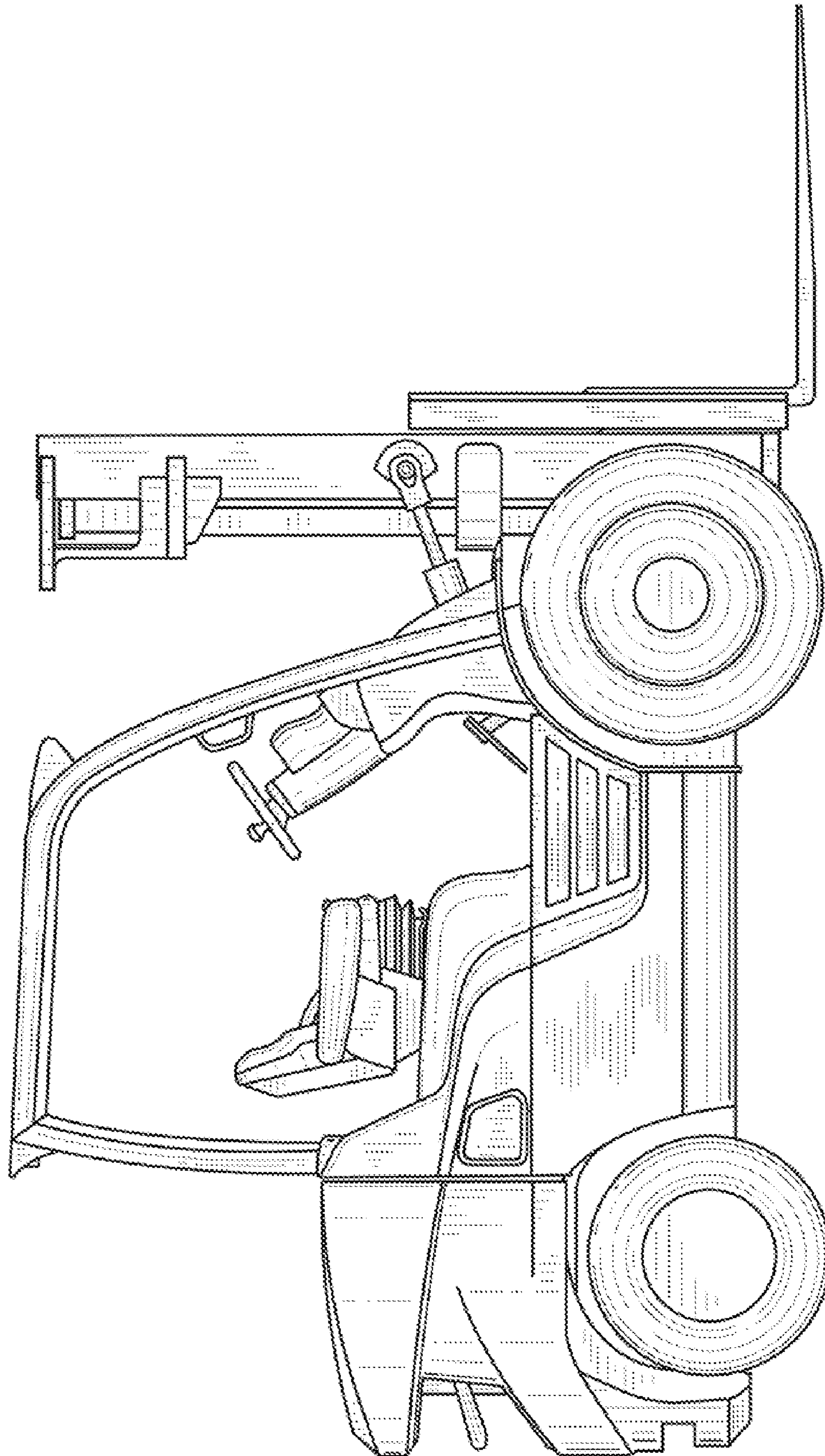


FIG. 2

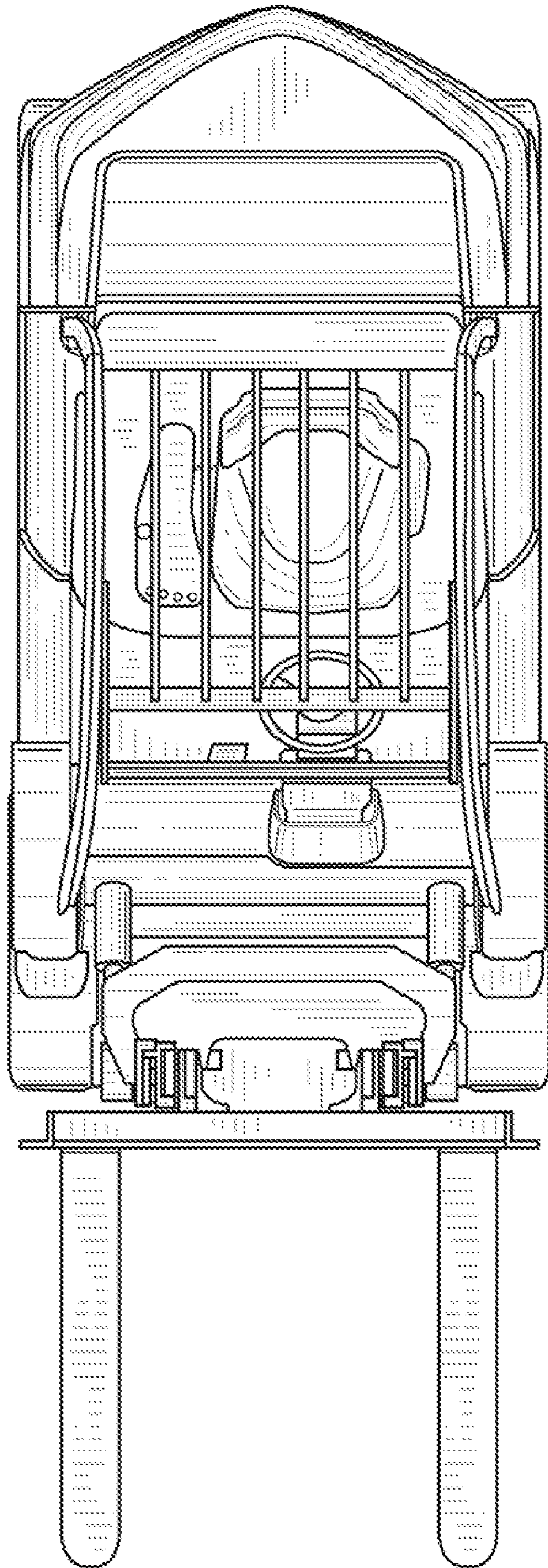


FIG. 3

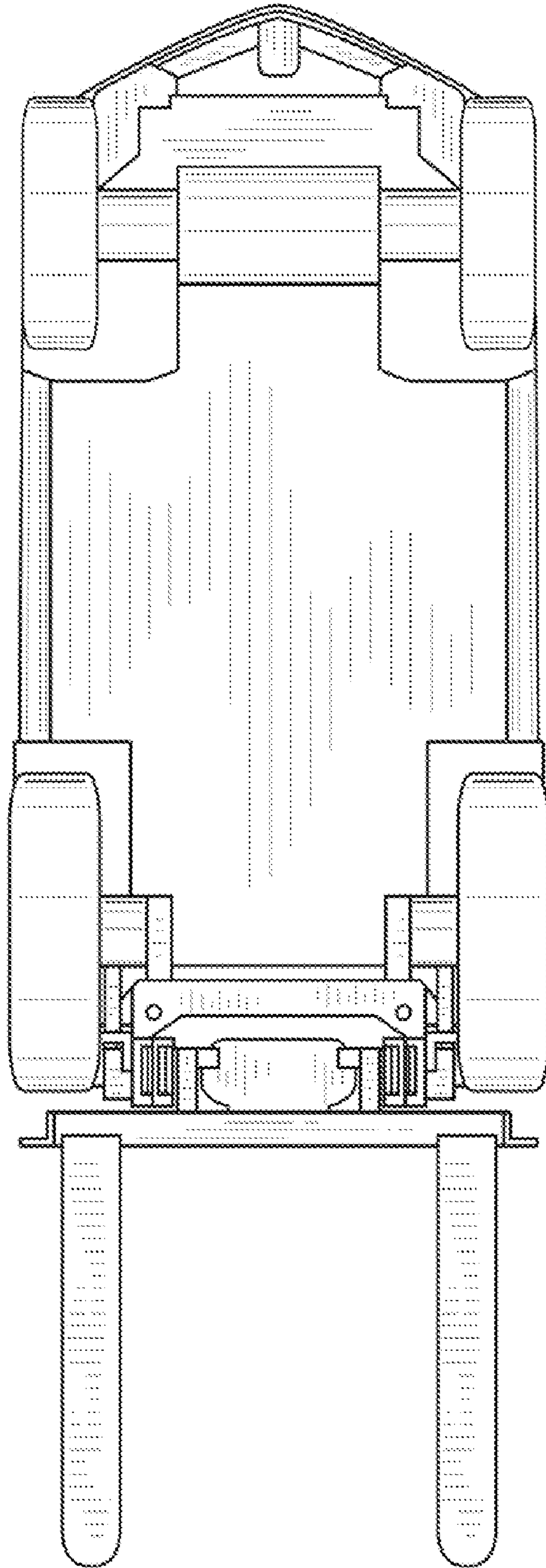


FIG. 4

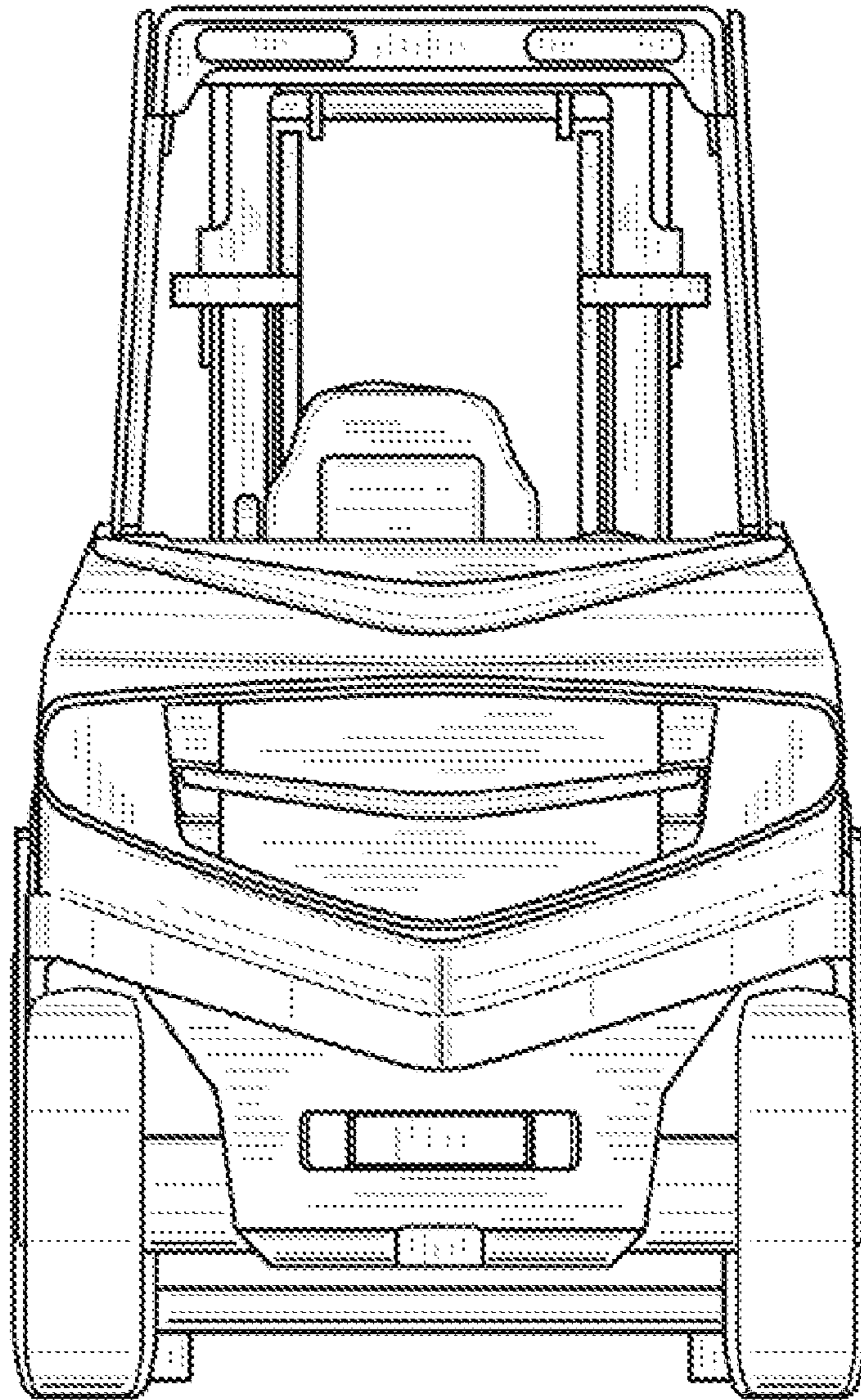


FIG. 5

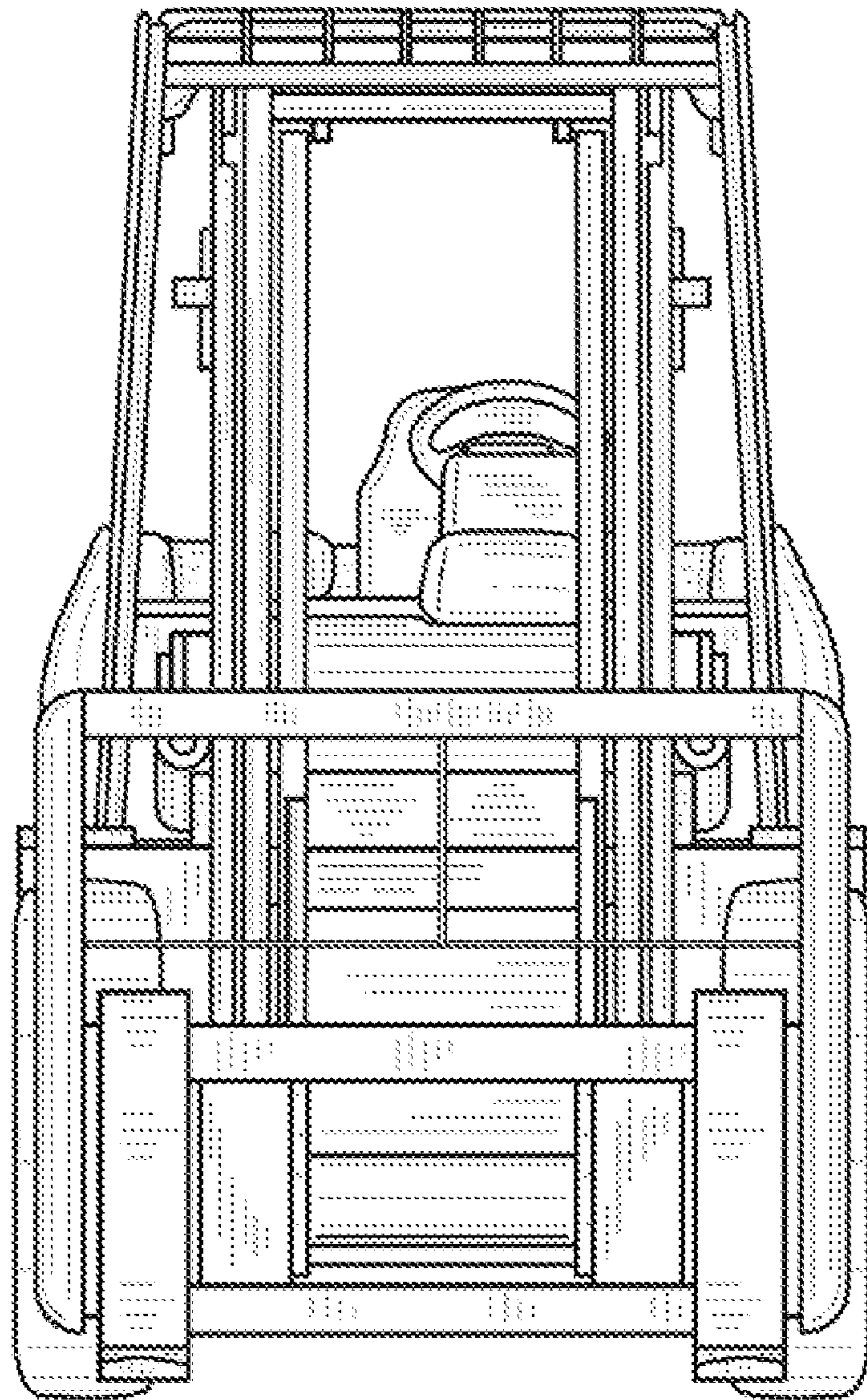


FIG. 6

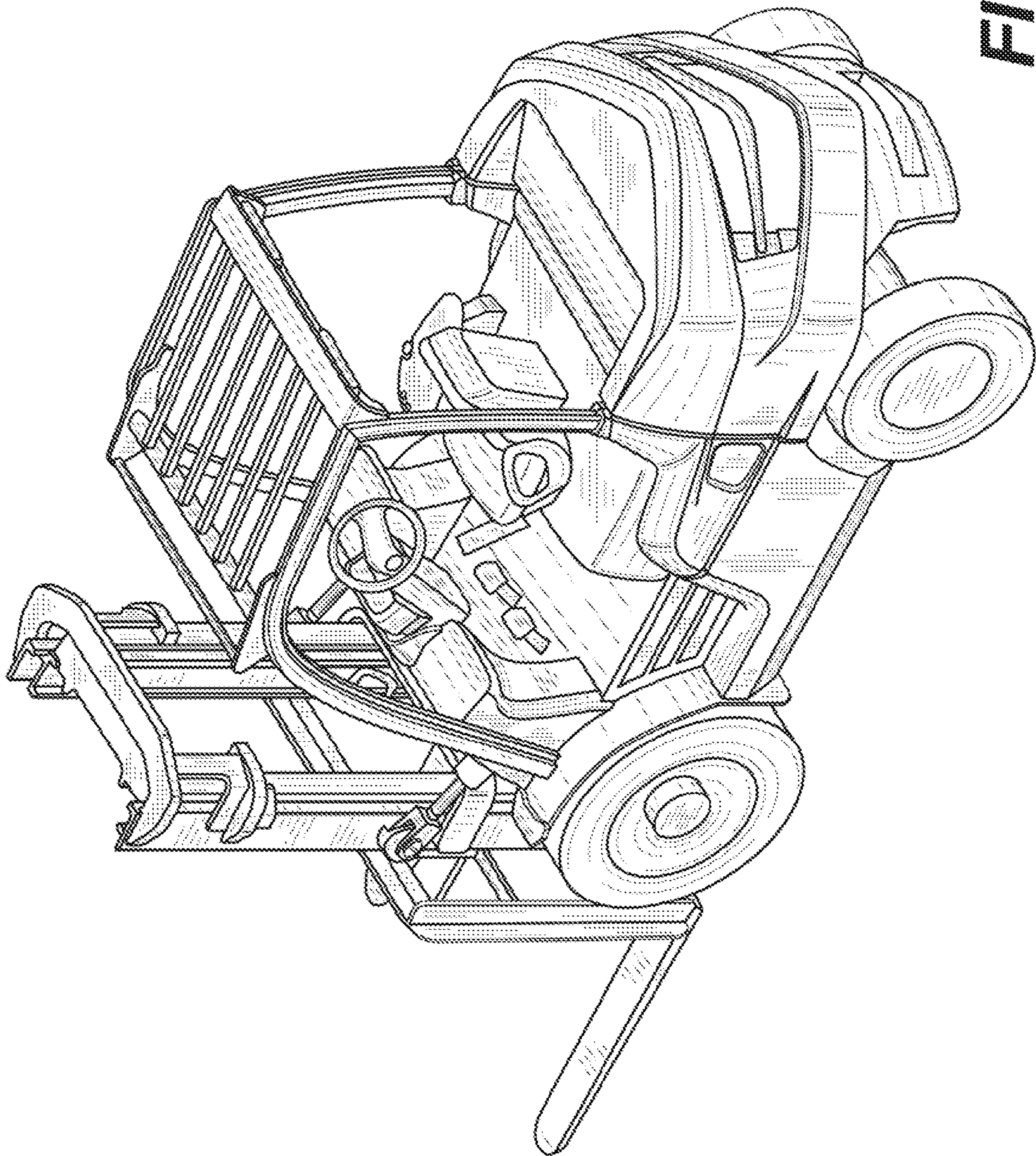


FIG. 7