



US00D594171S

(12) **United States Design Patent**  
**Scott**

(10) **Patent No.:** **US D594,171 S**  
(45) **Date of Patent:** **\*\* Jun. 9, 2009**

(54) **SMALL VEHICLE MAINTENANCE STAND**

(76) **Inventor:** **Steve R. Scott**, 360 RS County Rd.  
1412, Point, TX (US) 75472

(\*\*) **Term:** **14 Years**

(21) **Appl. No.:** **29/310,798**

(22) **Filed:** **Sep. 12, 2008**

(51) **LOC (9) Cl.** ..... **12-05**

(52) **U.S. Cl.** ..... **D34/32**

(58) **Field of Classification Search** ..... D34/28,  
D34/32; 193/38, 41; 414/537; 254/88, 122,  
254/124

See application file for complete search history.

(56) **References Cited**

**U.S. PATENT DOCUMENTS**

2,924,427	A *	2/1960	Larson	.....	254/88
D221,975	S *	9/1971	Nellis et al.	.....	D34/32
3,638,910	A *	2/1972	Nellis et al.	.....	254/88
D228,301	S *	9/1973	Lundman	.....	D34/32
D232,020	S *	7/1974	Borsuk	.....	D34/32
3,847,376	A *	11/1974	Binding	.....	254/88
3,863,895	A *	2/1975	Grewe et al.	.....	254/88
4,900,217	A *	2/1990	Nelson	.....	414/537
4,901,980	A *	2/1990	Hansen	.....	254/9 C

D346,255	S *	4/1994	Francis et al.	.....	D34/31
5,340,082	A *	8/1994	Holloway	.....	254/88
5,690,314	A *	11/1997	Williams	.....	254/88
D401,601	S *	11/1998	Kalpagian	.....	D15/150
D430,377	S *	8/2000	Collins	.....	D34/32
D543,675	S *	5/2007	Ji	.....	D34/32
2006/0133915	A1 *	6/2006	Day	.....	414/537

\* cited by examiner

*Primary Examiner*—Cynthia E Ramirez

(74) *Attorney, Agent, or Firm*—Richard L. Mikesell

(57) **CLAIM**

The ornamental design for a small vehicle maintenance stand, as shown and described.

**DESCRIPTION**

FIG. 1 is a top left perspective view of a small vehicle maintenance stand showing my new design;

FIG. 2 is a top plan view thereof;

FIG. 3 is a bottom plan view thereof;

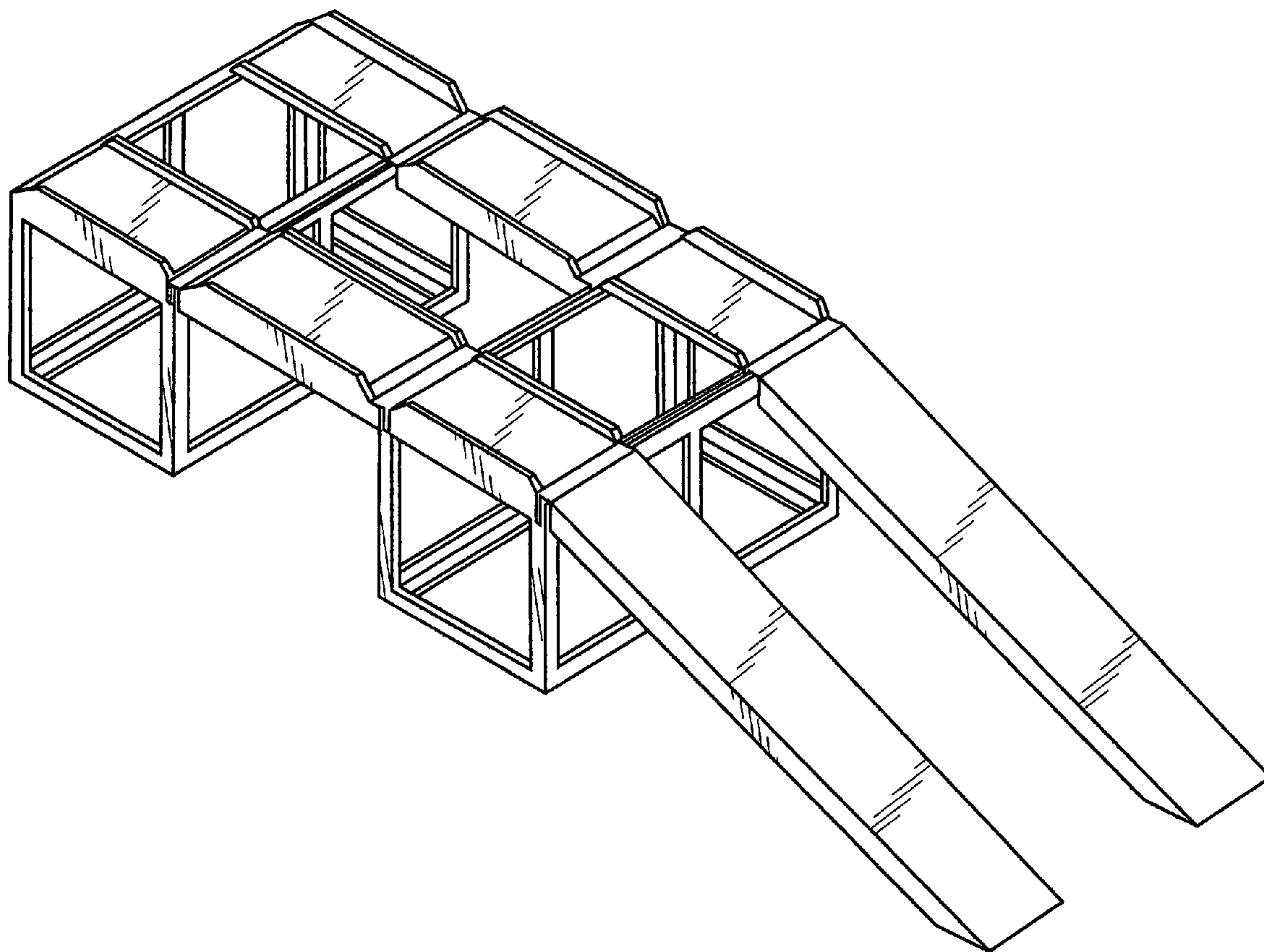
FIG. 4 is a left side view thereof;

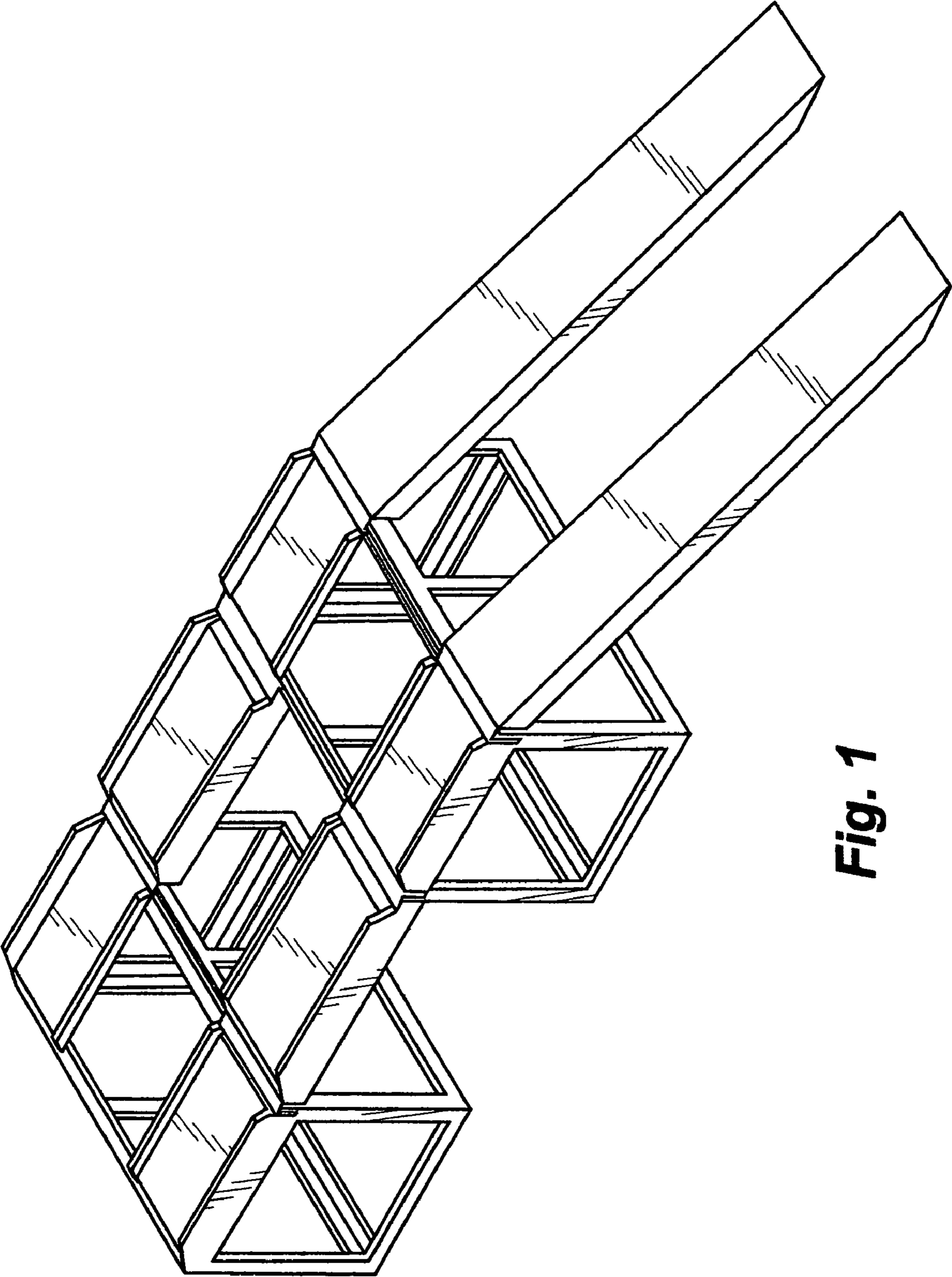
FIG. 5 is a right side view thereof;

FIG. 6 is a front view thereof; and,

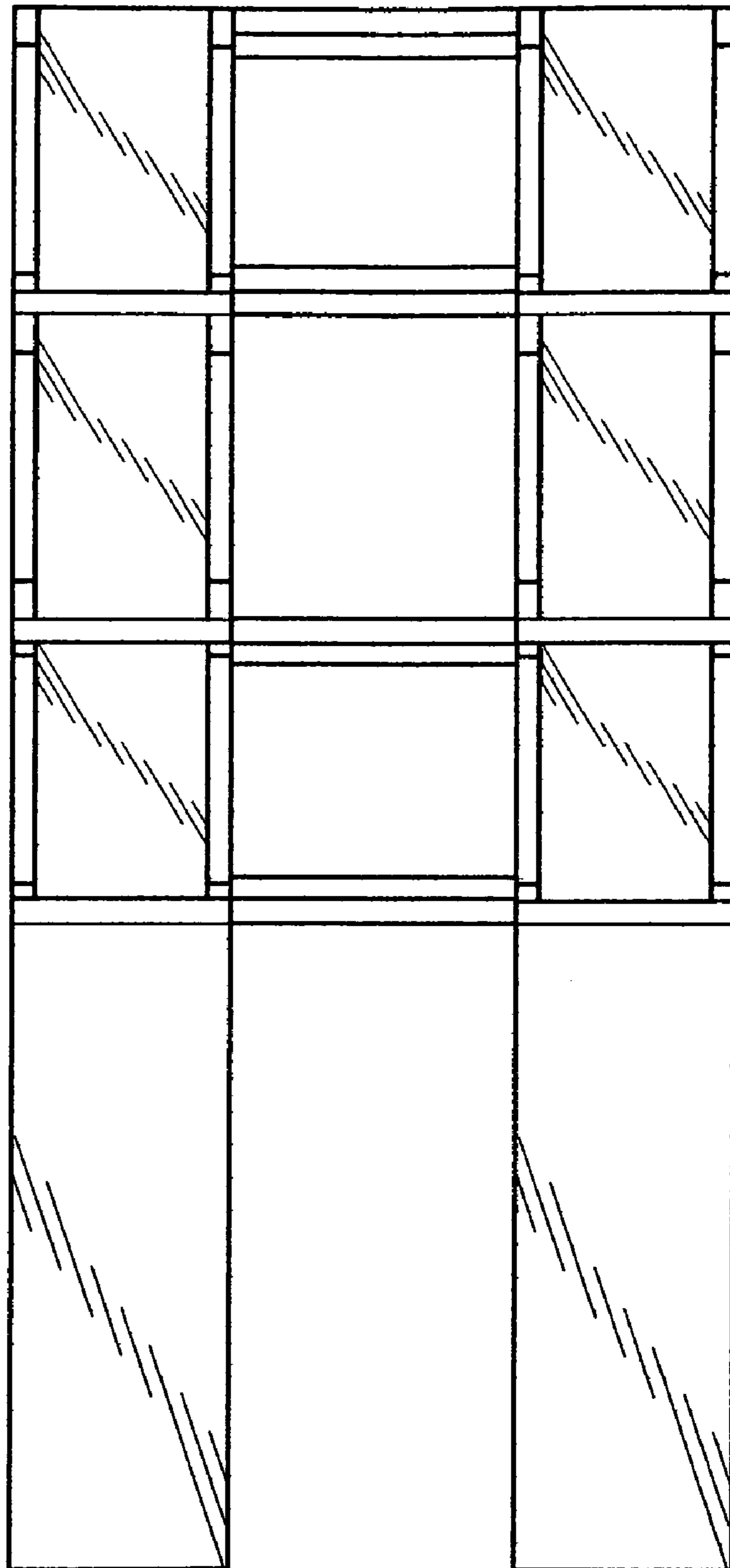
FIG. 7 is a rear view thereof.

**1 Claim, 5 Drawing Sheets**

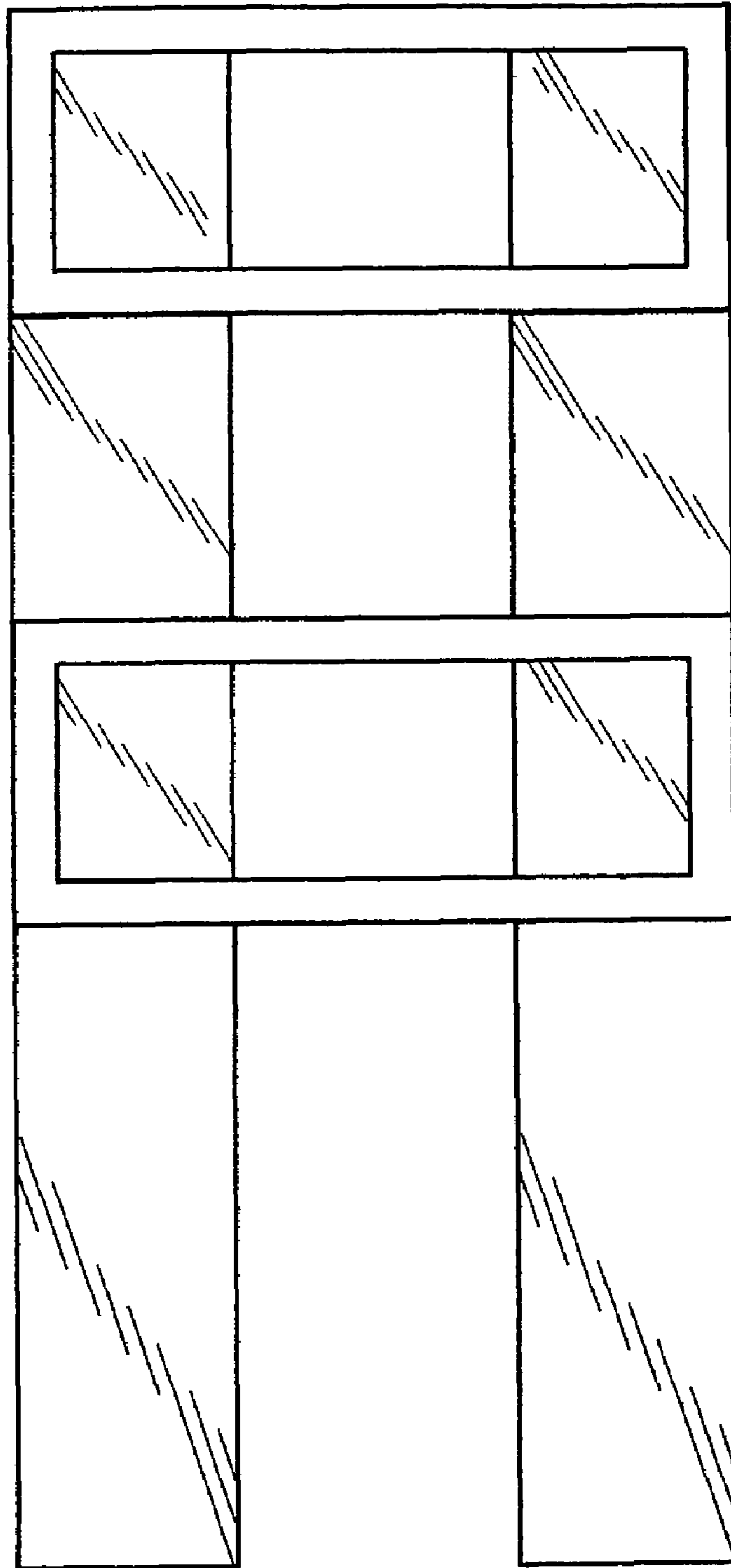




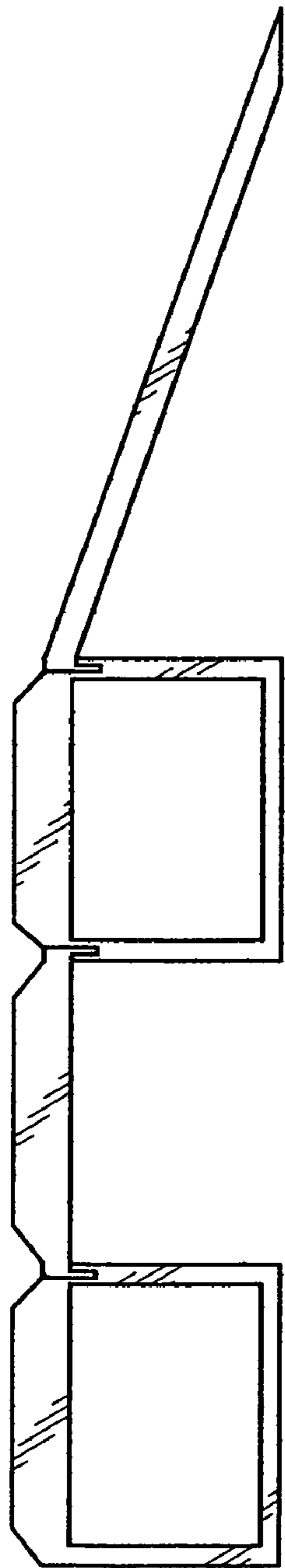
**Fig. 1**



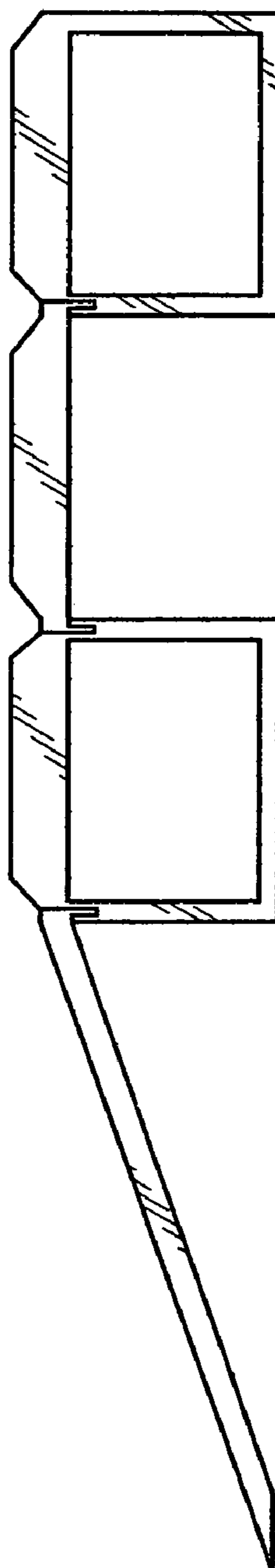
**Fig. 2**



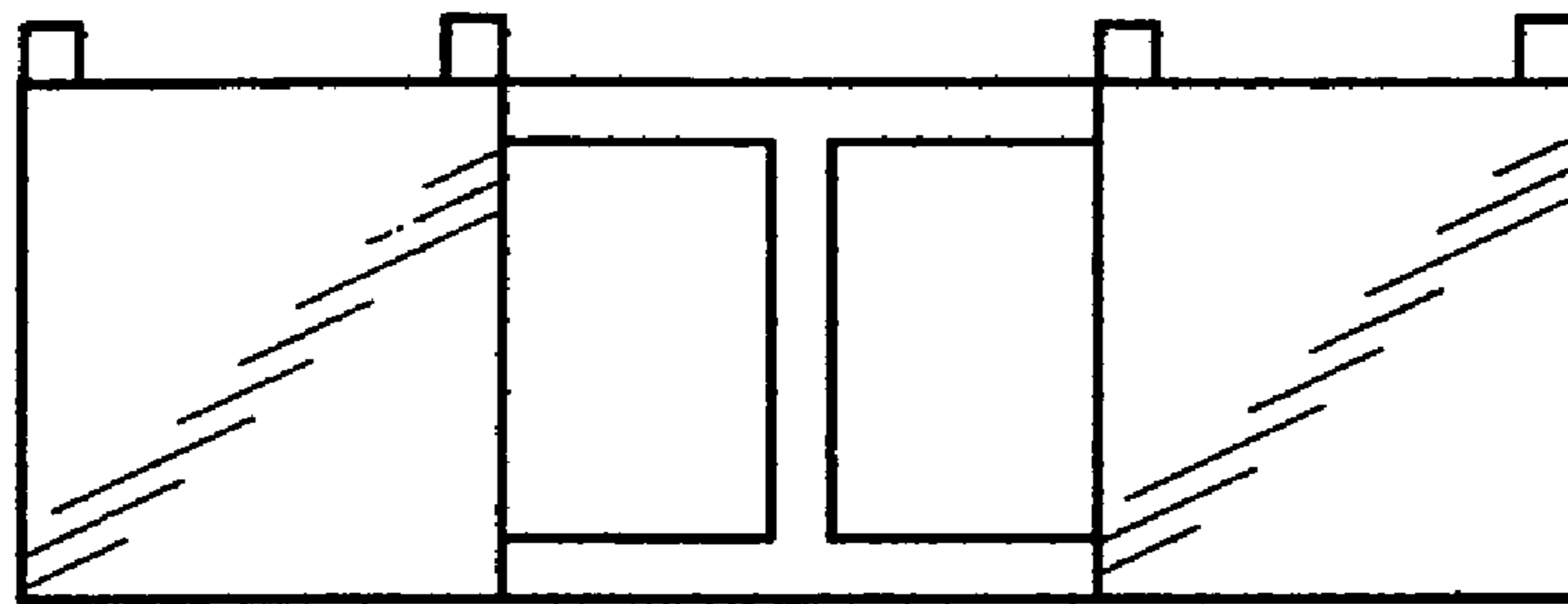
**Fig. 3**



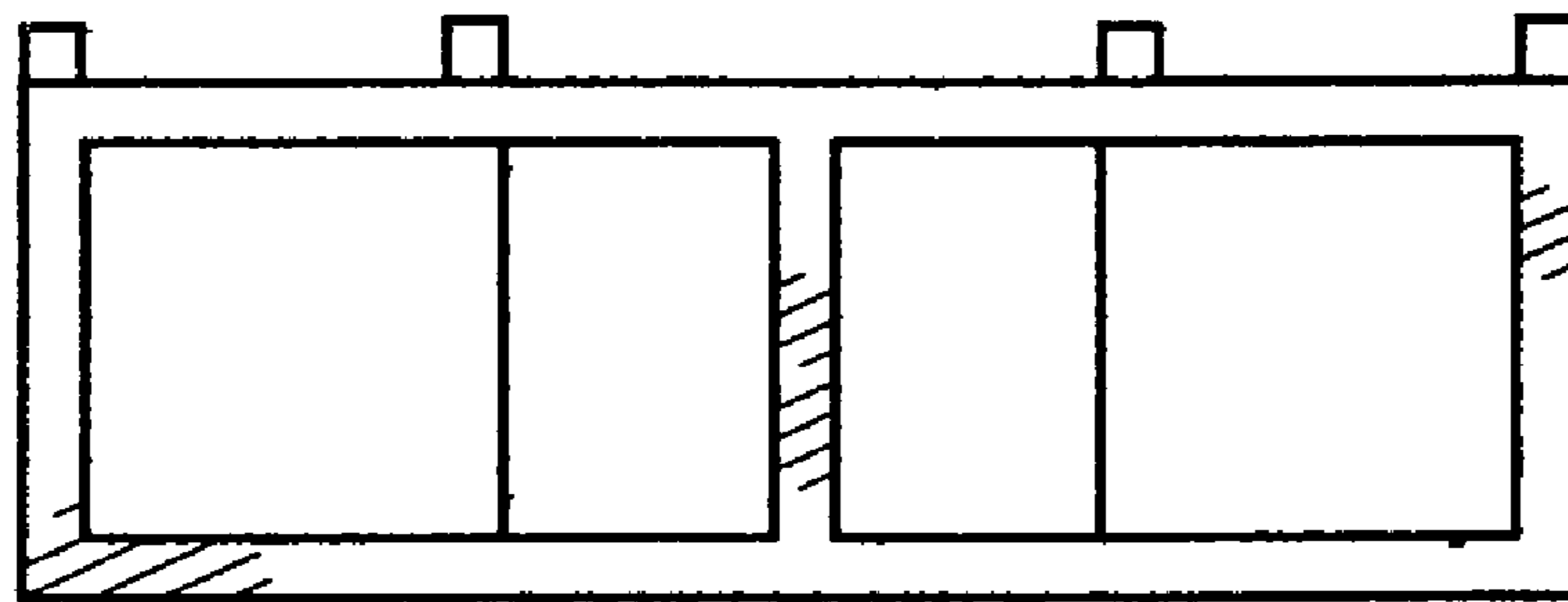
**Fig. 4**



**Fig. 5**



**Fig. 6**



**Fig. 7**