



US00D594170S

(12) **United States Design Patent**
Catron

(10) **Patent No.:** **US D594,170 S**
(45) **Date of Patent:** **** Jun. 9, 2009**

(54) **CLEANING CART**

(75) Inventor: **Mark Allen Catron**, Winchester, VA
(US)

(73) Assignee: **Rubbermaid Commercial Products, LLC**, Winchester, VA (US)

(**) Term: **14 Years**

(21) Appl. No.: **29/323,239**

(22) Filed: **Aug. 21, 2008**

(51) **LOC (9) Cl.** **12-02**

(52) **U.S. Cl.** **D34/14; D34/21; D34/17**

(58) **Field of Classification Search** **D34/12-27;**
280/47.34, 47.35, 79.2, 47.26, 79.5; D6/477,
D6/479

See application file for complete search history.

(56) **References Cited**

U.S. PATENT DOCUMENTS

D115,352	S	*	6/1939	Scudder	D34/18
4,923,202	A	*	5/1990	Breviglieri et al.	280/47.35
5,326,117	A	*	7/1994	Cook	280/79.2
6,497,423	B1	*	12/2002	Perelli et al.	280/47.34
D485,037	S	*	1/2004	Presnell et al.	D34/21
D555,869	S	*	11/2007	Zorzo	D34/14
D555,870	S	*	11/2007	Zorzo	D34/14
D572,424	S	*	7/2008	Presnell et al.	D34/14
D575,473	S	*	8/2008	Presnell	D34/27

* cited by examiner

Primary Examiner—Cynthia E Ramirez

(74) *Attorney, Agent, or Firm*—Dennis J. Williamson; Moore & Van Allen, PLLC

(57) **CLAIM**

I claim the ornamental design for a cleaning cart, as shown and described.

DESCRIPTION

FIG. 1 is a perspective view of a cleaning cart showing our new design;

FIG. 2 is a left side view showing our new design shown in FIG. 1;

FIG. 3 is a right side view showing our new design shown in FIG. 1;

FIG. 4 is a front view showing our new design shown in FIG. 1;

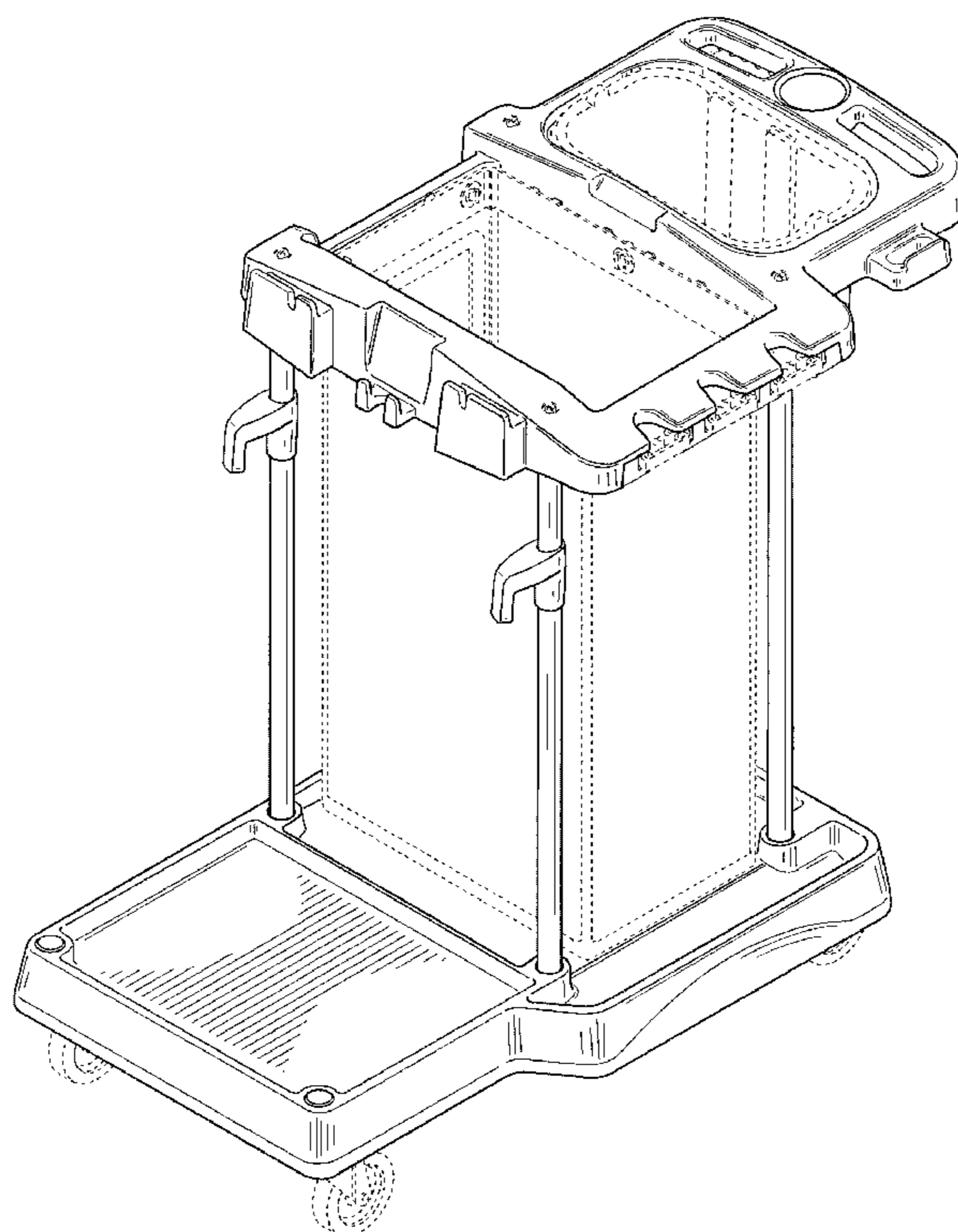
FIG. 5 is a back view showing our new design shown in FIG. 1;

FIG. 6 is a top view showing our new design shown in FIG. 1; and,

FIG. 7 is a bottom view showing our new design shown in FIG. 1.

The portions shown in broken lines are not part of the claimed design but show the environment in which the design is associated.

1 Claim, 7 Drawing Sheets



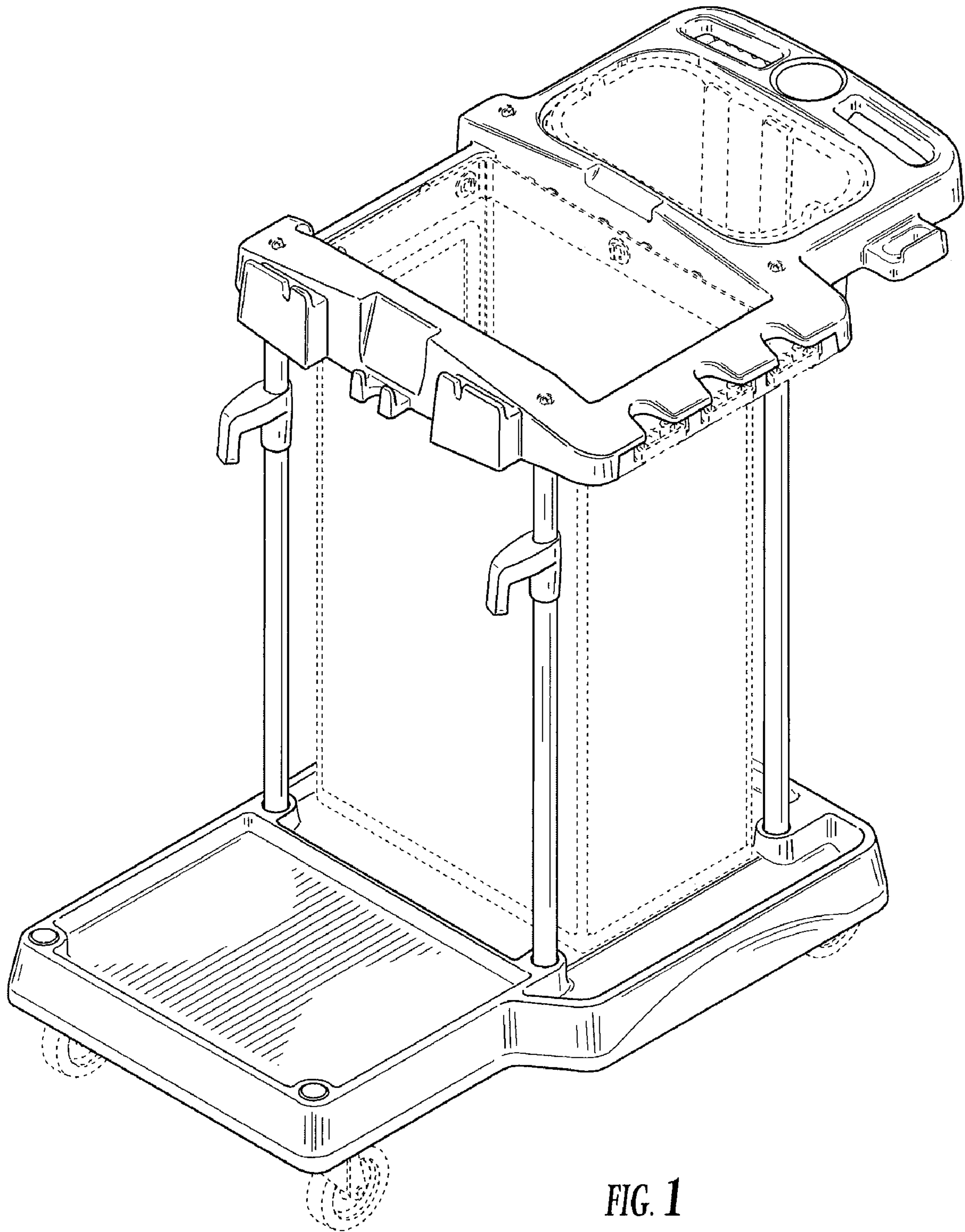


FIG. 1

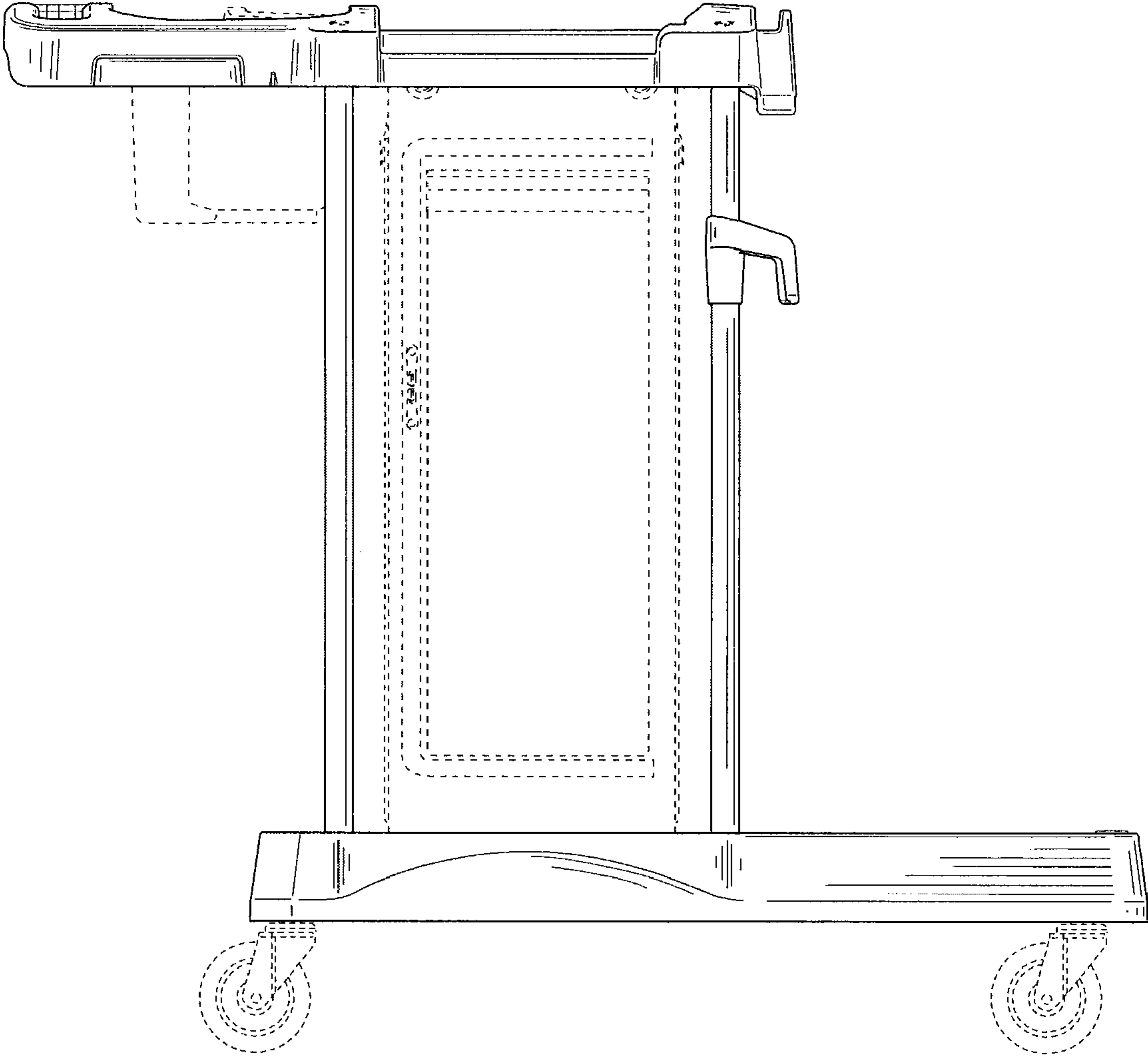


FIG. 2

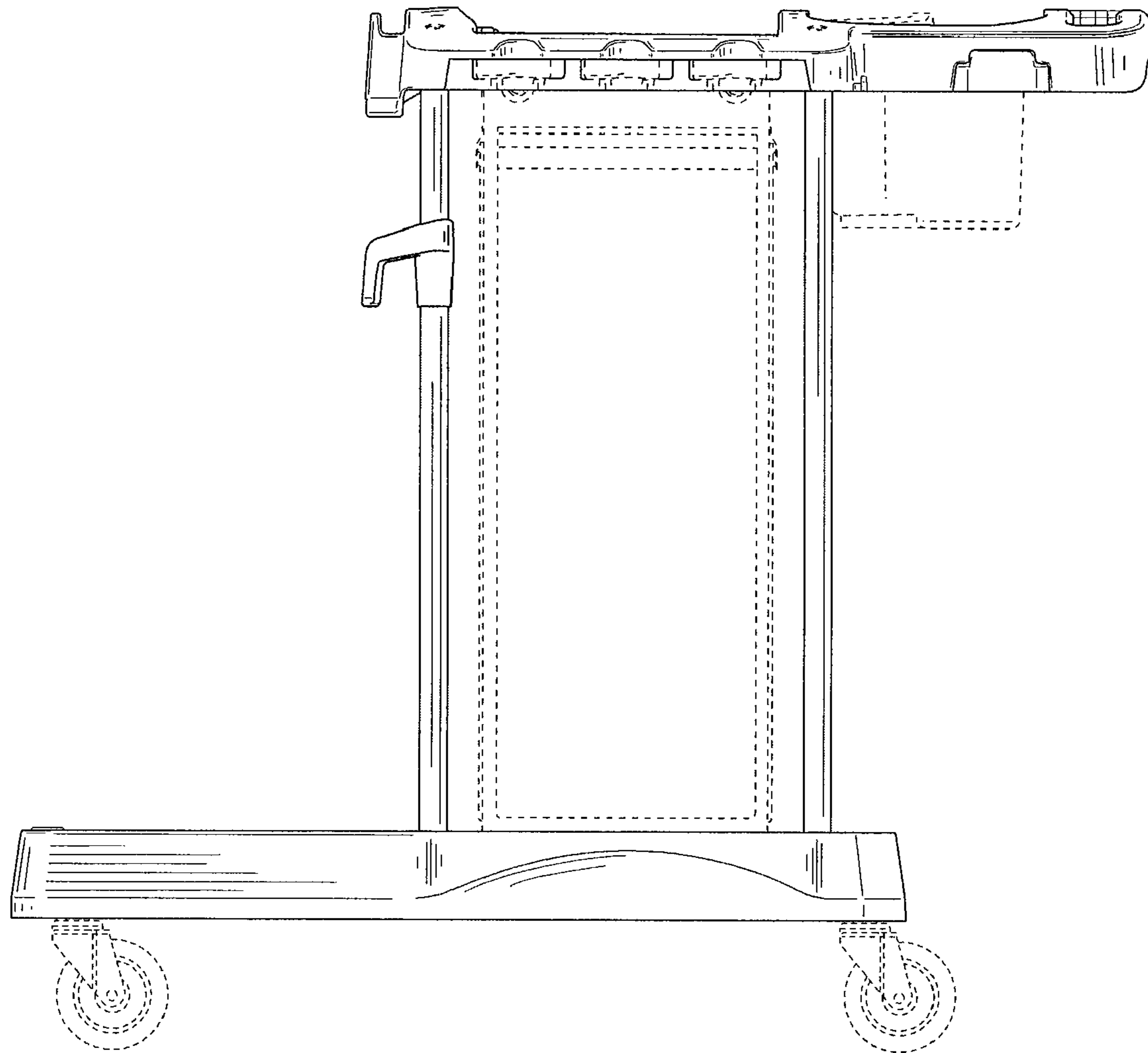


FIG. 3

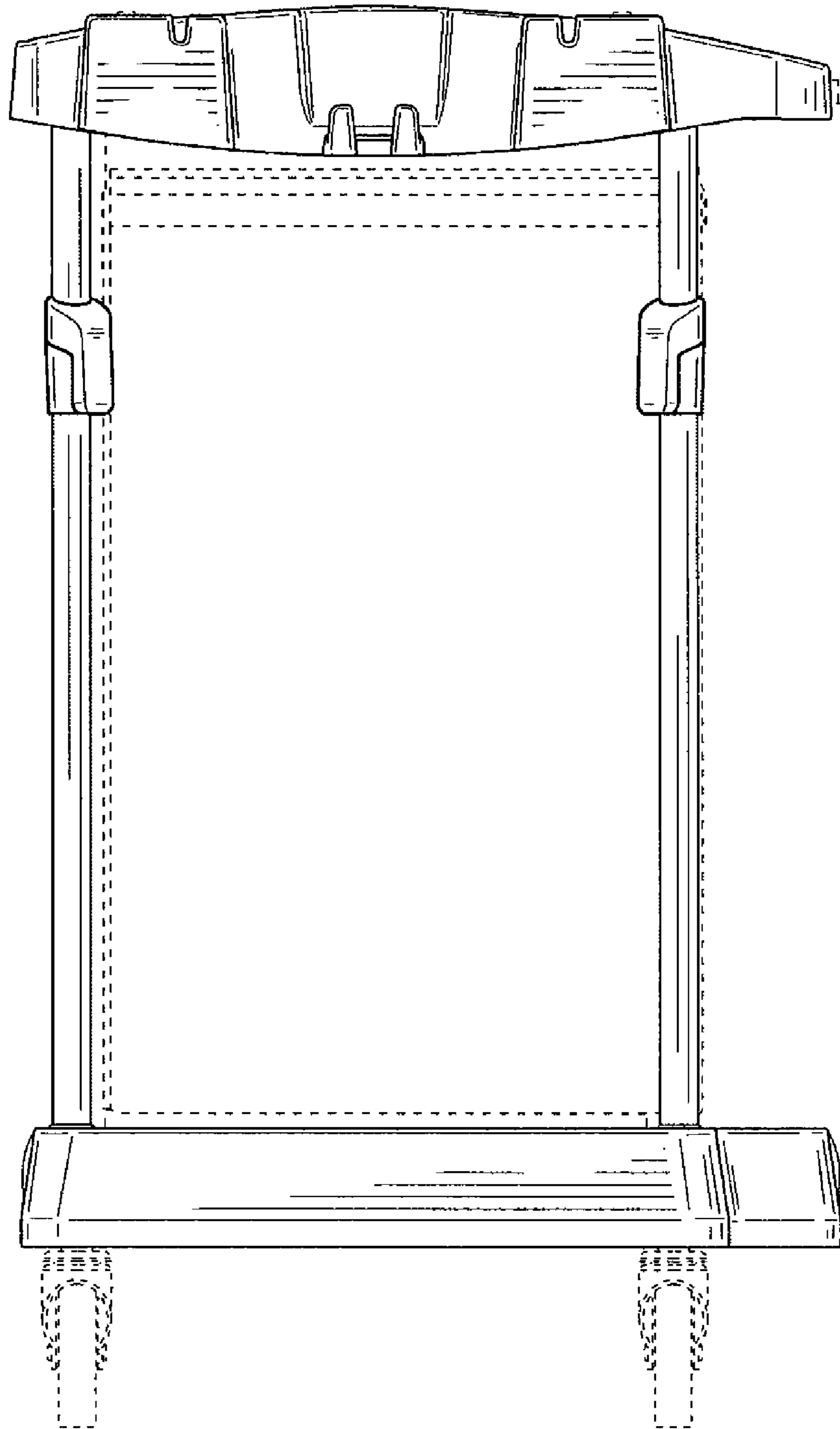


FIG. 4

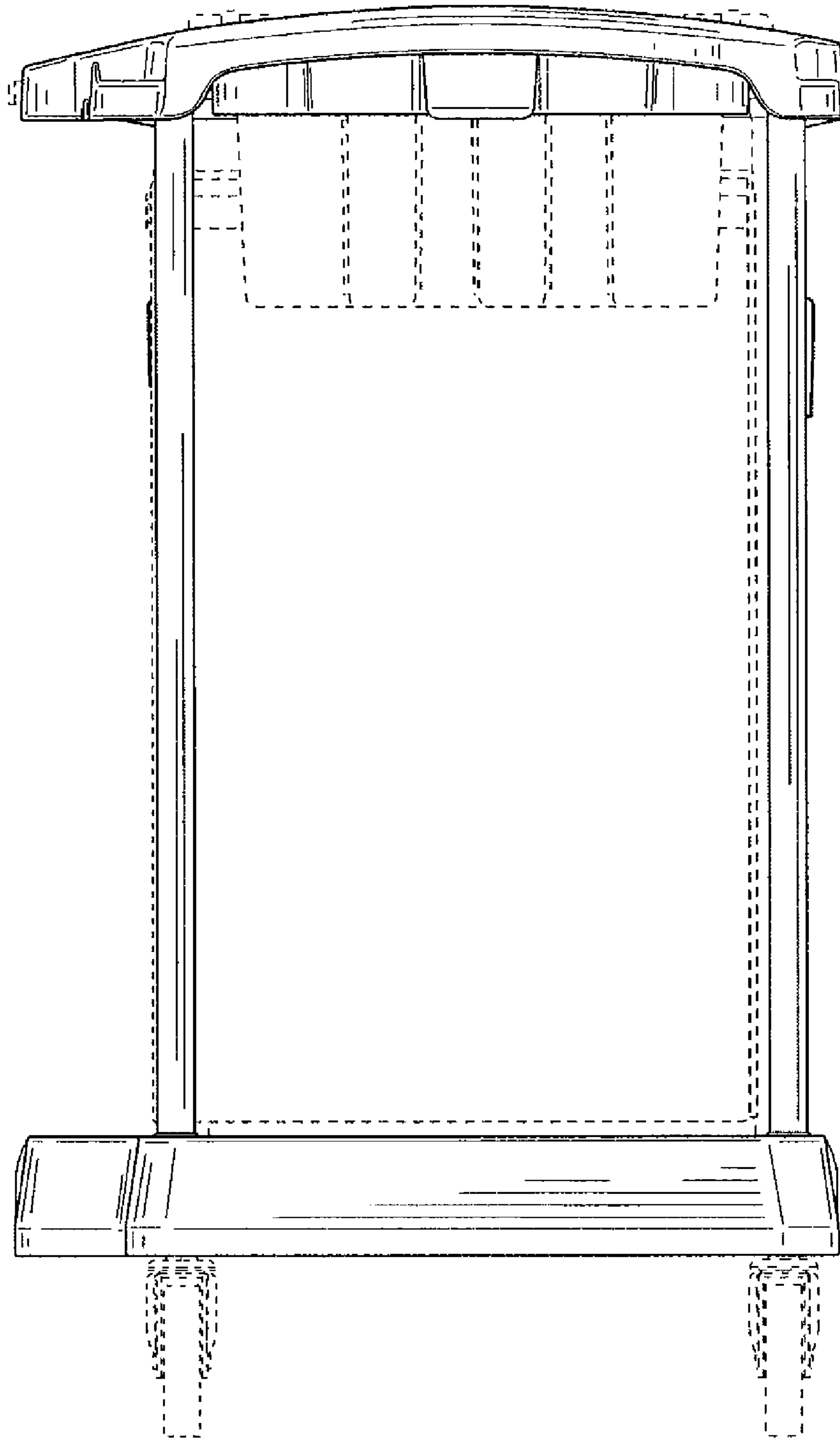


FIG. 5

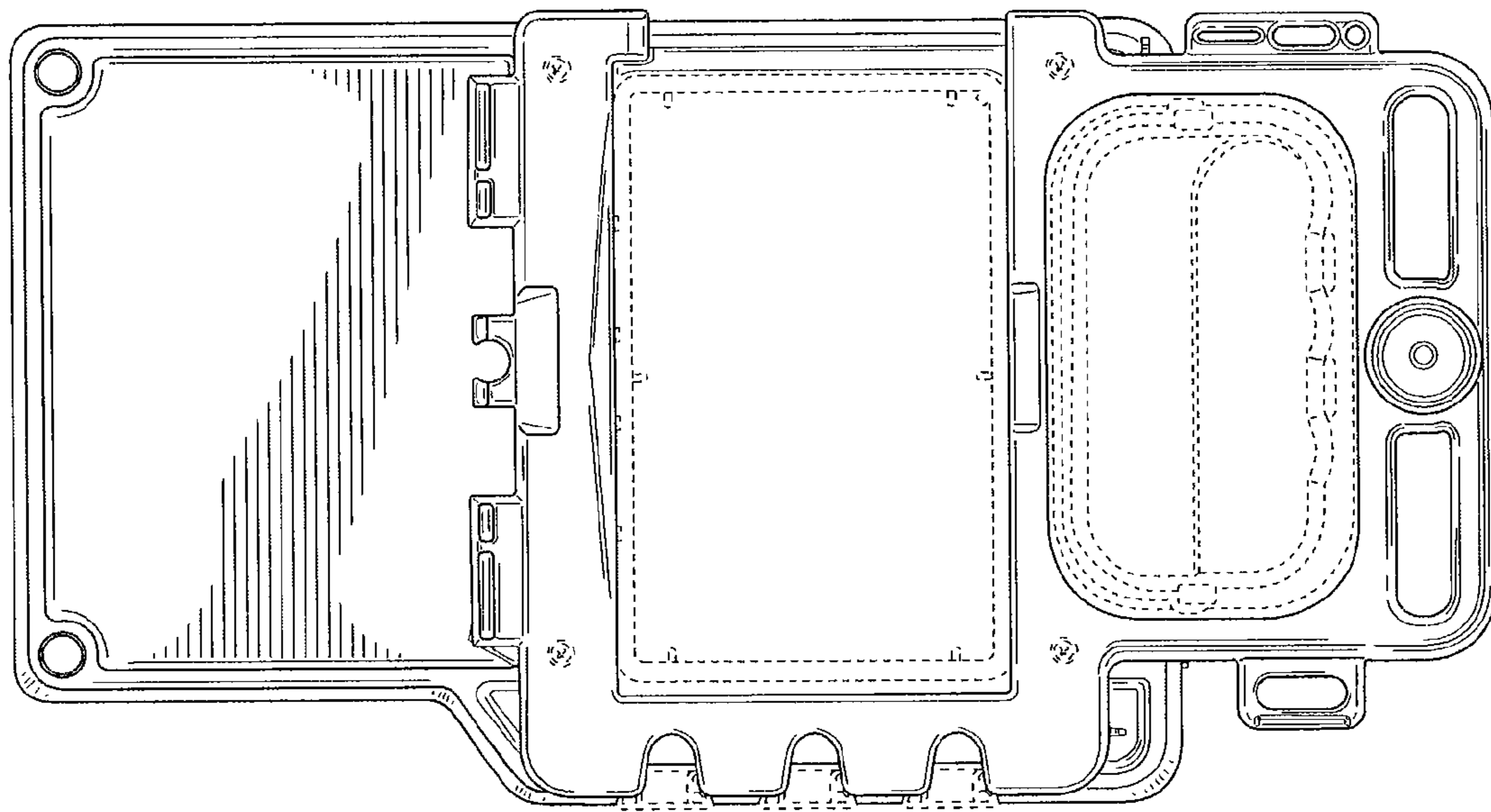


FIG. 6

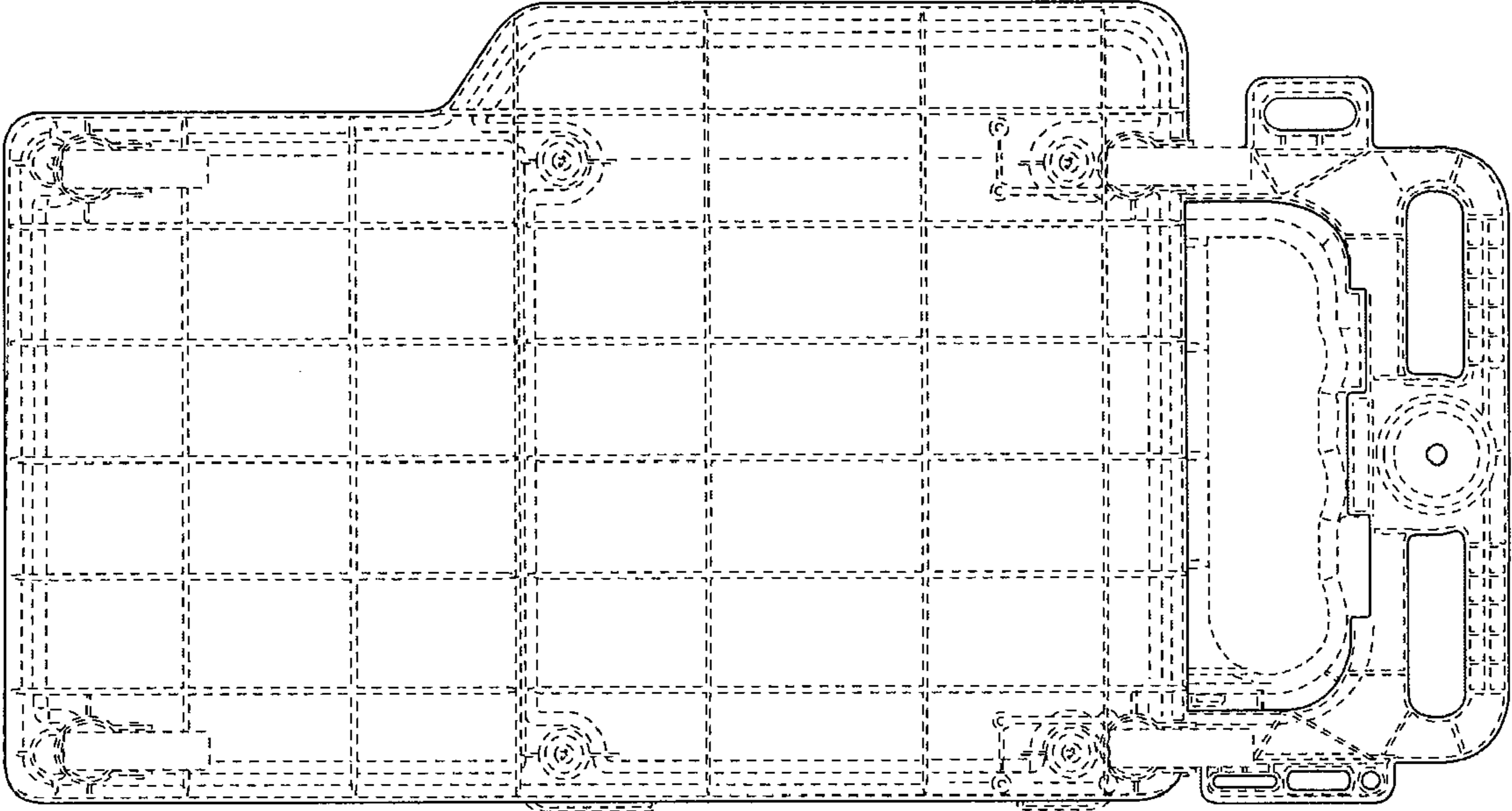


FIG. 7