

US00D594169S

(12) **United States Design Patent**
Connor et al.

(10) **Patent No.:** **US D594,169 S**
(45) **Date of Patent:** **** Jun. 9, 2009**

(54) **ACCUMULATION BIN**

5,261,562 A * 11/1993 Prout et al. 220/771

(75) Inventors: **Pat Connor**, Kitchener (CA); **Paul Goyette**, Penetanguishene (CA); **Gordon Bennett**, Midland (CA)

(Continued)

FOREIGN PATENT DOCUMENTS

(73) Assignee: **Jake's Holding Corporation**, Kitchener, Ontario (CA)

CA 1268153 A 4/1990

(Continued)

(**) Term: **14 Years**

OTHER PUBLICATIONS

(21) Appl. No.: **29/278,675**

"American National Standard Equipment Technology and Operations for Wastes and Recyclable Materials: Waste Containers—Compatibility Dimensions", American National Standard: ANSI Z245.60-2006, 2006. (WASTE) Waste Equipment Technology Association, Washington, DC.

(22) Filed: **Apr. 5, 2007**

(Continued)

(51) **LOC (9) Cl.** **09-09**

(52) **U.S. Cl.** **D34/5**

(58) **Field of Classification Search** D34/1, D34/5, 6, 7, 8, 9, 10, 11; 220/908, 909, 910, 220/810, 811, 812

Primary Examiner—Cynthia E Ramirez

See application file for complete search history.

(57) **CLAIM**

The ornamental design for an accumulation bin, as shown and described.

(56) **References Cited**

DESCRIPTION

U.S. PATENT DOCUMENTS

D226,328 S *	2/1973	Patton	D34/11
D257,550 S *	11/1980	Holcroft	D34/11
4,749,101 A *	6/1988	Durkan, Jr.	220/840
4,836,394 A	6/1989	Glomski		
4,917,257 A	4/1990	Edelhoff		
4,930,649 A	6/1990	Moser		
D313,491 S *	1/1991	Edelhoff et al.	D34/5
5,071,024 A	12/1991	Delmerico et al.		
5,088,750 A *	2/1992	Beese et al.	280/47.26
D328,170 S *	7/1992	Juergens	D34/11
5,141,124 A	8/1992	Smith et al.		
5,150,806 A	9/1992	Glomski		
5,165,564 A	11/1992	Prout et al.		
5,167,351 A	12/1992	Prout et al.		
5,193,708 A	3/1993	Prout et al.		
D335,564 S *	5/1993	Delmerico	D34/11
5,217,135 A	6/1993	Smith et al.		
5,217,136 A	6/1993	Sanden, Jr.		
5,224,744 A	7/1993	Michelutti		
5,251,779 A	10/1993	Schmidt		

FIG. 1 is a bottom perspective view of an accumulation bin exemplary of an embodiment of the design;

FIG. 2 is a rear perspective view of the accumulation bin of FIG. 1;

FIG. 3 is a left-hand side elevational view of the accumulation bin of FIG. 1;

FIG. 4 is a front elevational view of the accumulation bin of FIG. 1;

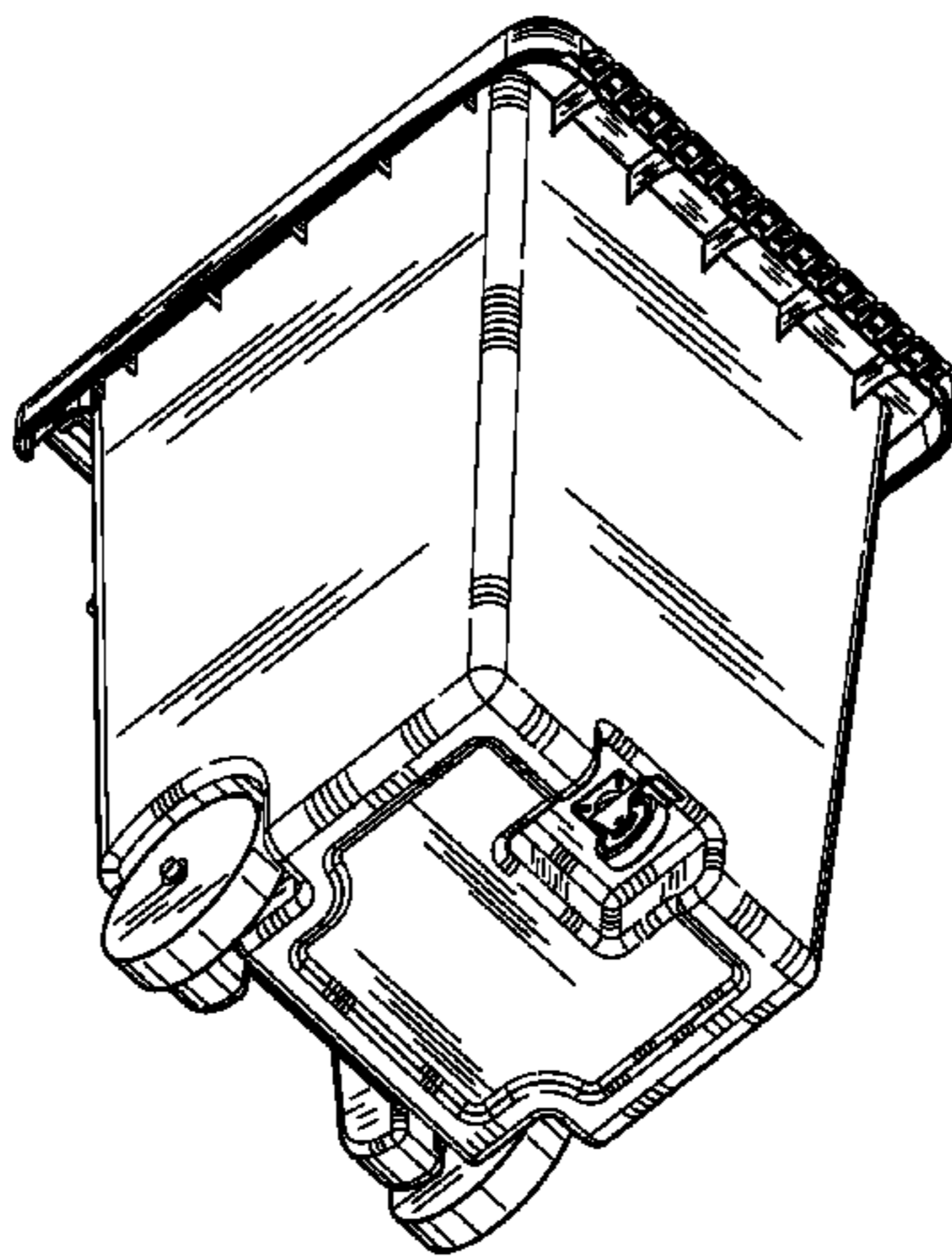
FIG. 5 is a right-hand side elevational view of the accumulation bin of FIG. 1;

FIG. 6 is a rear elevational view of the accumulation bin of FIG. 1.

FIG. 7 is a top plan view of the accumulation bin of FIG. 1; and,

FIG. 8 is a bottom plan view of the accumulation bin of FIG. 1.

1 Claim, 4 Drawing Sheets



US D594,169 S

Page 2

U.S. PATENT DOCUMENTS

D345,837	S	4/1994	Bean	
D347,095	S	* 5/1994	Apps et al.	D34/5
5,323,923	A	6/1994	Schauer	
5,356,027	A	10/1994	Craft et al.	
D355,741	S	* 2/1995	Craft et al.	D34/5
D360,512	S	7/1995	McKenna	
D365,428	S	* 12/1995	Prout et al.	D34/5
D365,901	S	* 1/1996	Kowalski et al.	D34/11
5,538,158	A	7/1996	Prout et al.	
5,547,104	A	8/1996	Parker	
5,582,322	A	12/1996	Prout et al.	
D381,163	S	7/1997	Lee	
D388,577	S	12/1997	Rehrig et al.	
5,738,395	A	4/1998	Probst	
5,743,542	A	4/1998	Mast et al.	
5,776,405	A	7/1998	Prout et al.	
D398,120	S	* 9/1998	Rehrig et al.	D34/5
D400,332	S	10/1998	Sanden, Jr.	
5,816,591	A	10/1998	Parker et al.	
D410,125	S	5/1999	Rehrig et al.	
D429,398	S	8/2000	Wysocki	
D445,228	S	* 7/2001	Apps et al.	D34/5
6,276,557	B1	8/2001	Wysocki	
6,280,001	B1	8/2001	Parker et al.	
6,290,093	B1	9/2001	Obriot et al.	
6,328,320	B1	12/2001	Walski et al.	
D461,291	S	* 8/2002	Kaminski et al.	D34/11
D470,989	S	* 2/2003	Tuduri	D34/11
D471,336	S	3/2003	Tuduri	
D474,317	S	5/2003	Tuduri	
D474,319	S	* 5/2003	Tuduri	D34/11
D477,899	S	* 7/2003	Tuduri	D34/11
D478,197	S	8/2003	Raghunathan	
6,733,053	B2	5/2004	Hodge et al.	
D491,328	S	6/2004	Aiken et al.	
D491,329	S	6/2004	Taylor	
D491,708	S	6/2004	Taylor	
6,758,366	B2	7/2004	Bourgund et al.	
6,880,717	B1	4/2005	O'Connor	
6,902,080	B2	6/2005	Busch	
D509,335	S	9/2005	Tuduri	
6,968,972	B2	11/2005	Taylor	
7,086,557	B2	8/2006	Miller et al.	
7,100,791	B2	9/2006	Berger	
7,114,631	B2	10/2006	Aiken et al.	
7,121,564	B2	10/2006	Hassell	
D532,173	S	11/2006	Aiken et al.	
D535,448	S	* 1/2007	Kilduff et al.	D34/5
2004/0074913	A1	* 4/2004	McDade et al.	220/908.1
2004/0108666	A1	6/2004	Lauer	
2006/0081642	A1	4/2006	Taylor	
2006/0191949	A1	* 8/2006	Miller et al.	220/835
2006/0232029	A1	10/2006	Parker et al.	
2006/0273097	A1	12/2006	Taylor	

FOREIGN PATENT DOCUMENTS

CA	1269051	A	5/1990
CA	2008581		7/1990
CA	2038705	A1	9/1991

CA	1296691	C	3/1992
CA	1298561	C	4/1992
CA	2058195	A1	6/1992
CA	2061276	A1	8/1992
CA	1315754	C	4/1993
CA	1316124	C	4/1993
CA	1327765	C	3/1994
CA	2147719	A1	10/1995
CA	2109868	C	1/1999
CA	2273901	A1	2/2000
CA	2133310	C	4/2000
CA	2321454	A1	3/2001
CA	2313847	A1	5/2001
CA	2324855	A1	5/2001
CA	2305909	A1	10/2001
CA	2351056	A1	12/2001
CA	2413005	A1	1/2002
CA	2469317	A1	6/2003
CA	2372465	A1	8/2003
CA	2418583	A1	8/2003
CA	2080206	C	12/2003
CA	2507873	A1	6/2004
CA	2524776	A1	11/2004
CA	2524895	A1	12/2004
CA	2213422	C	10/2007
WO	WO 93/08104	A2	4/1993
WO	WO 94/01349	A1	1/1994
WO	WO 96/15918	A1	5/1996
WO	WO 97/32799	A1	9/1997
WO	WO 97/38924	A1	10/1997
WO	WO 97/46468	A1	12/1997
WO	WO 98/49073	A1	11/1998
WO	WO 98/49074	A1	11/1998
WO	WO 99/11525	A1	3/1999
WO	WO 99/26867	A1	6/1999
WO	WO 00/09410	A1	2/2000
WO	WO 00/44648	A1	8/2000
WO	WO 00/53515	A1	9/2000
WO	WO 01/60719	A1	8/2001
WO	WO 02/26596	A1	4/2002
WO	WO 2004/013021	A1	2/2004
WO	WO 2004/094268	A1	11/2004
WO	WO 2006/007644	A1	1/2006

OTHER PUBLICATIONS

“American National Standard Equipment Technology and Operations for Wastes and Recyclable Materials: Waste Containers—Safety Requirements”, American National Standard: ANSI Z245.30-2006 2006, (WASTE) Waste Equipment Technology Association, Washington, DC.

Canadian Industrial Design Registration No. 97480, “Rollout Cart Lid”, registered on Sep. 30, 2002, to Cascade Engineering, Inc.

Canadian Industrial Design Registration No. 99947, “Refuse Container”, registered on Jul. 30, 2003, to Norseman Plastics Limited.

Canadian Industrial Design Registration No. 104750, “Waste Container”, registered on Nov. 17, 2005, to Rehrig Pacific Company, Inc.

International Search Report for International Patent Application No. PCT/CA2008/000613, Filed Apr. 4, 2008, Form PCT/ISA/210, ISA/CA, Gatineau, Quebec.

* cited by examiner

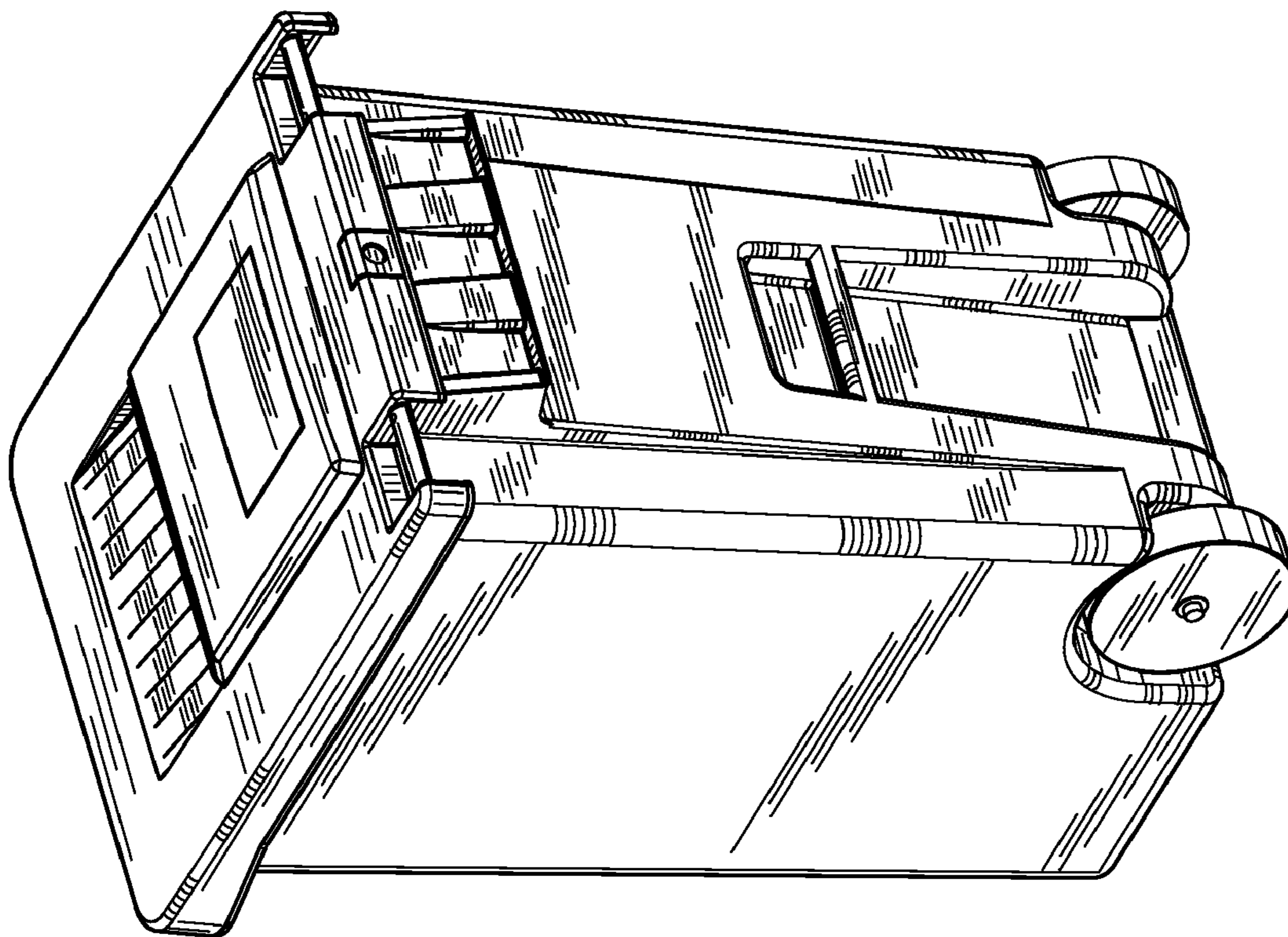


FIG. 2

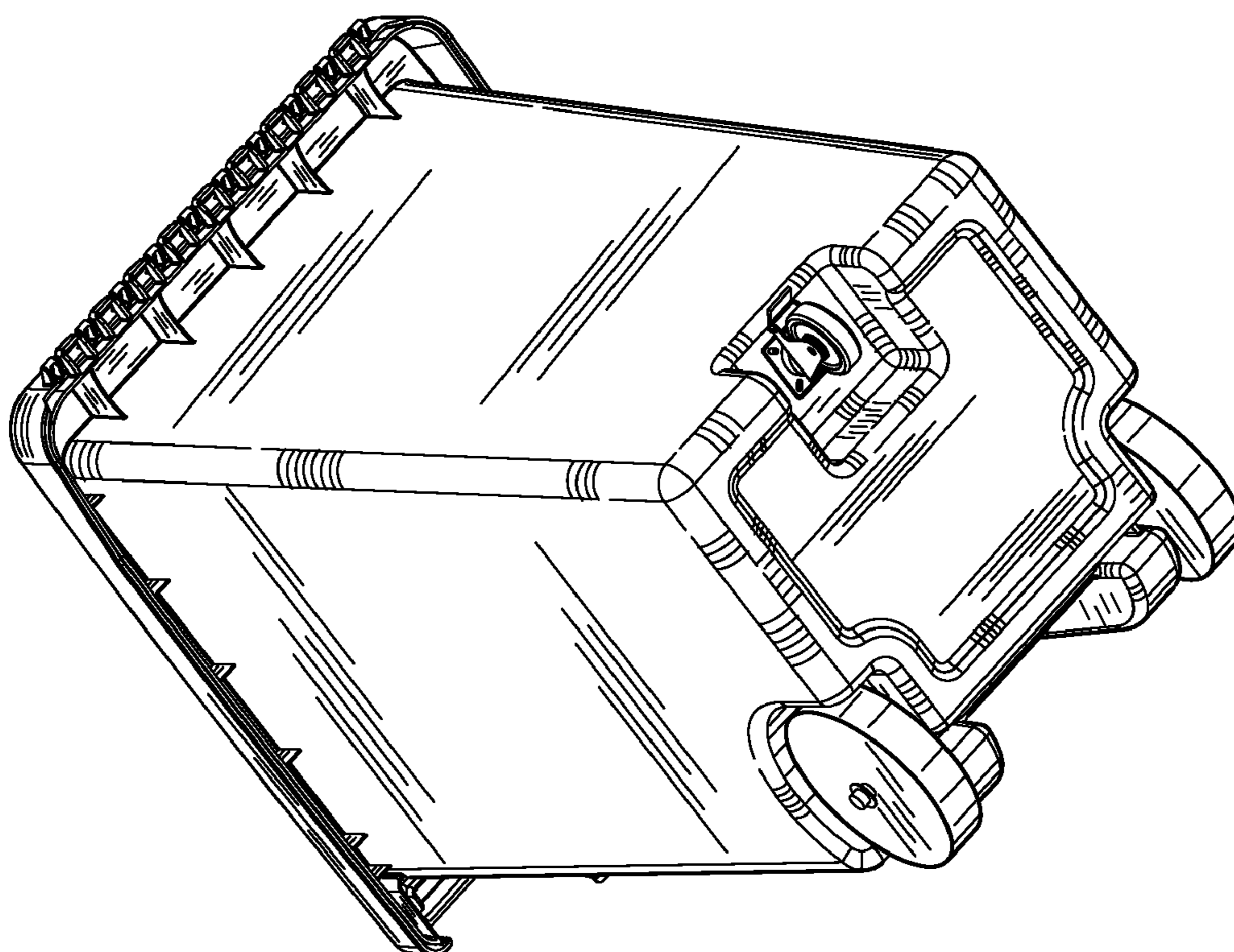


FIG. 1

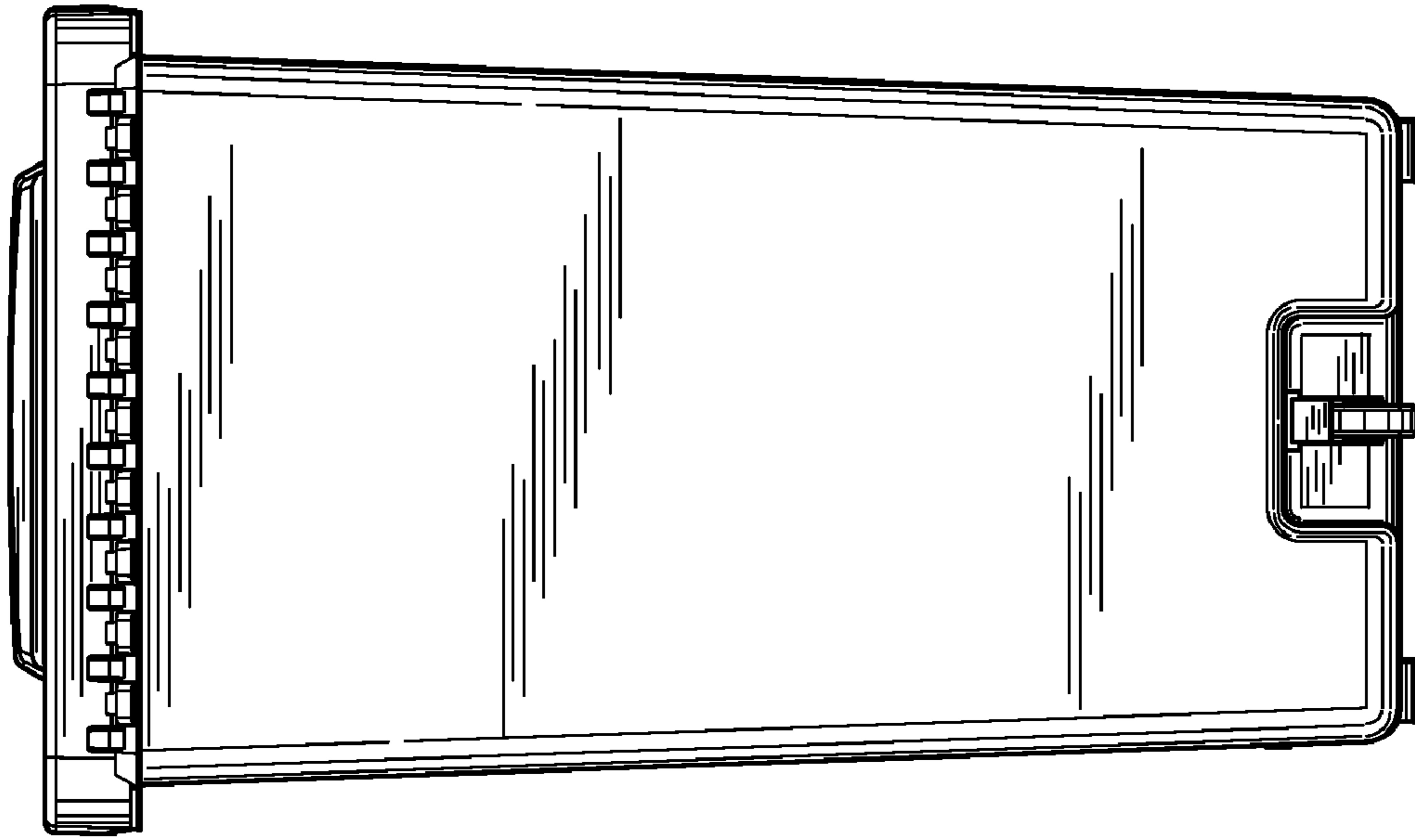


FIG. 3

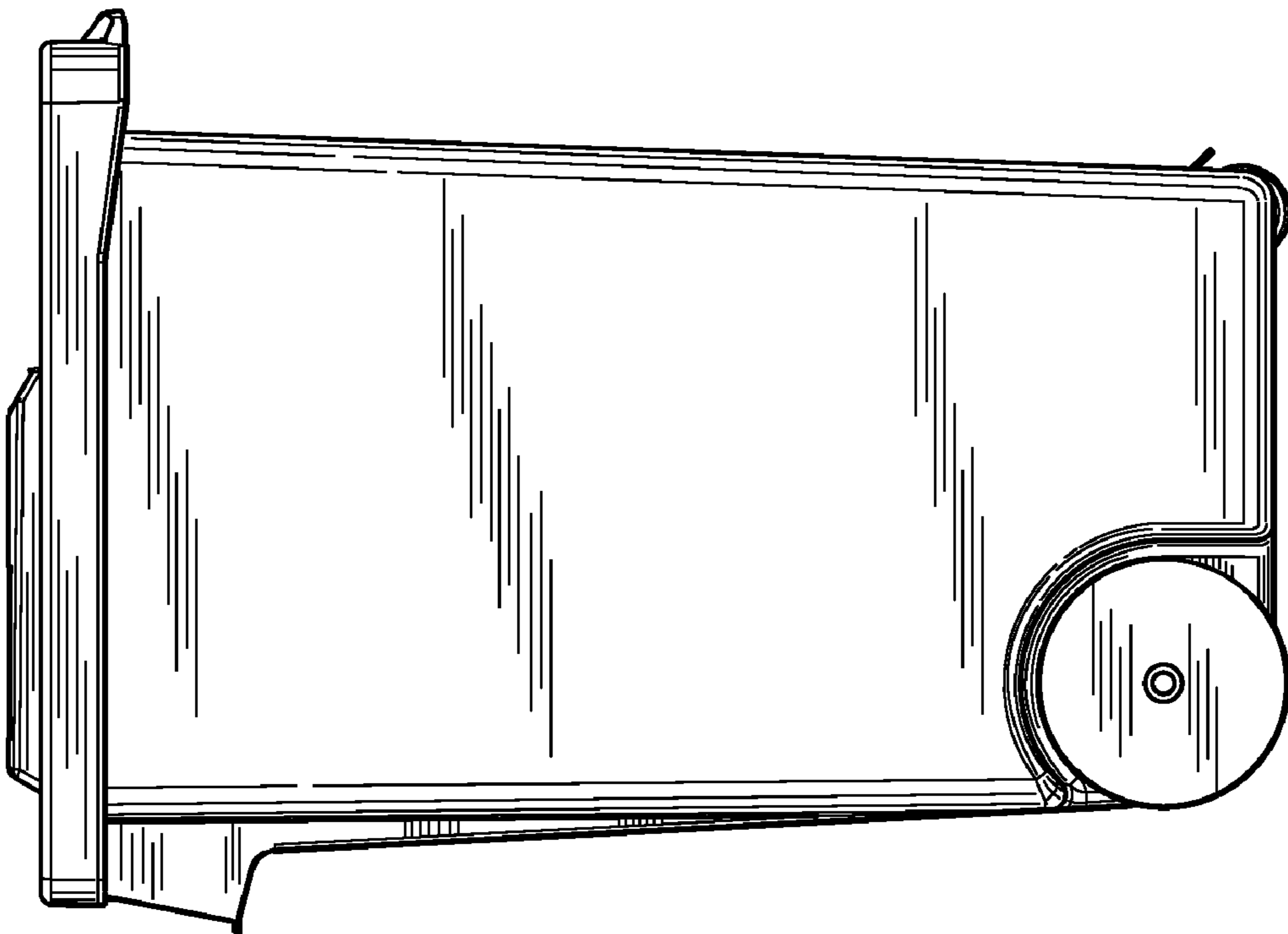


FIG. 4

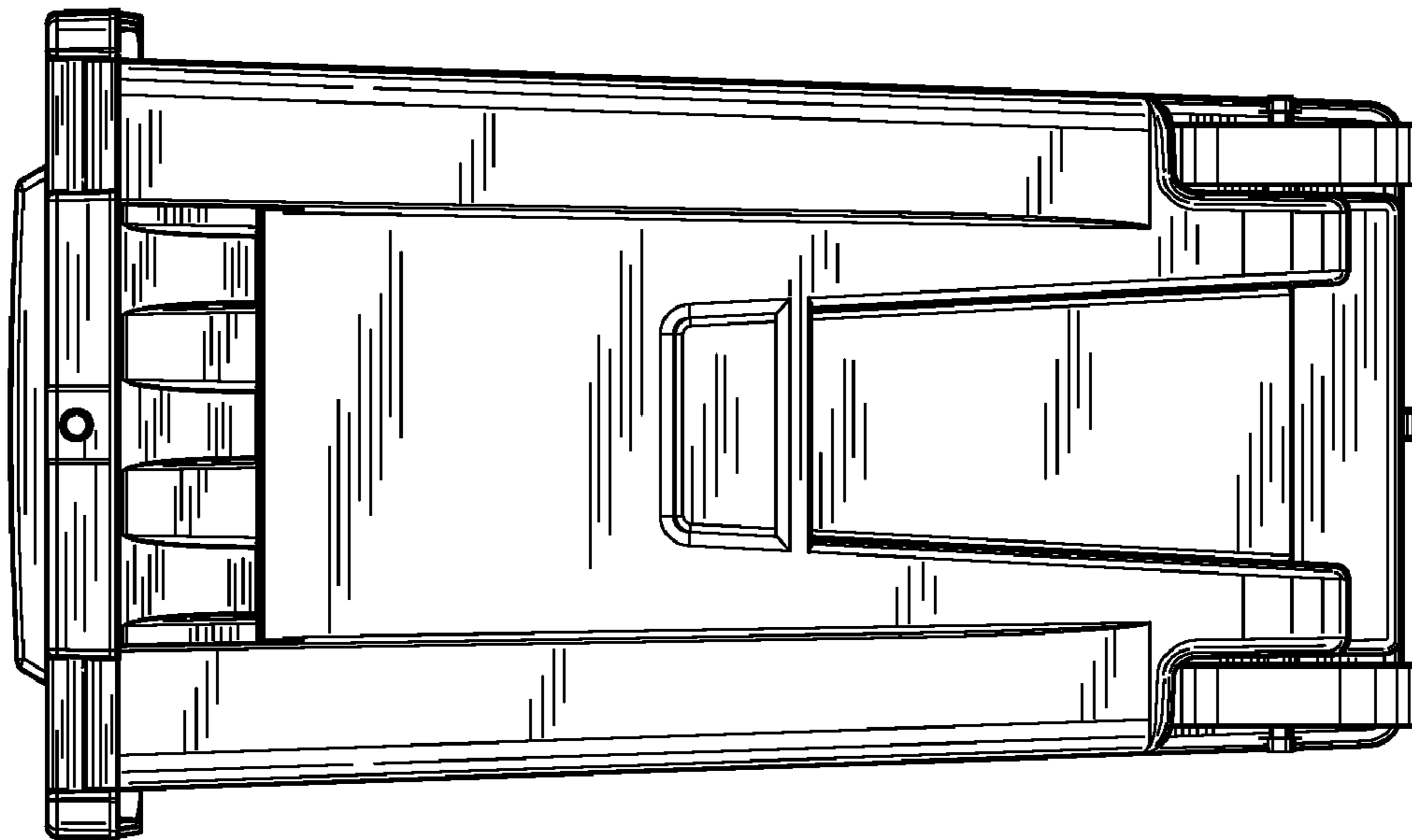


FIG. 5

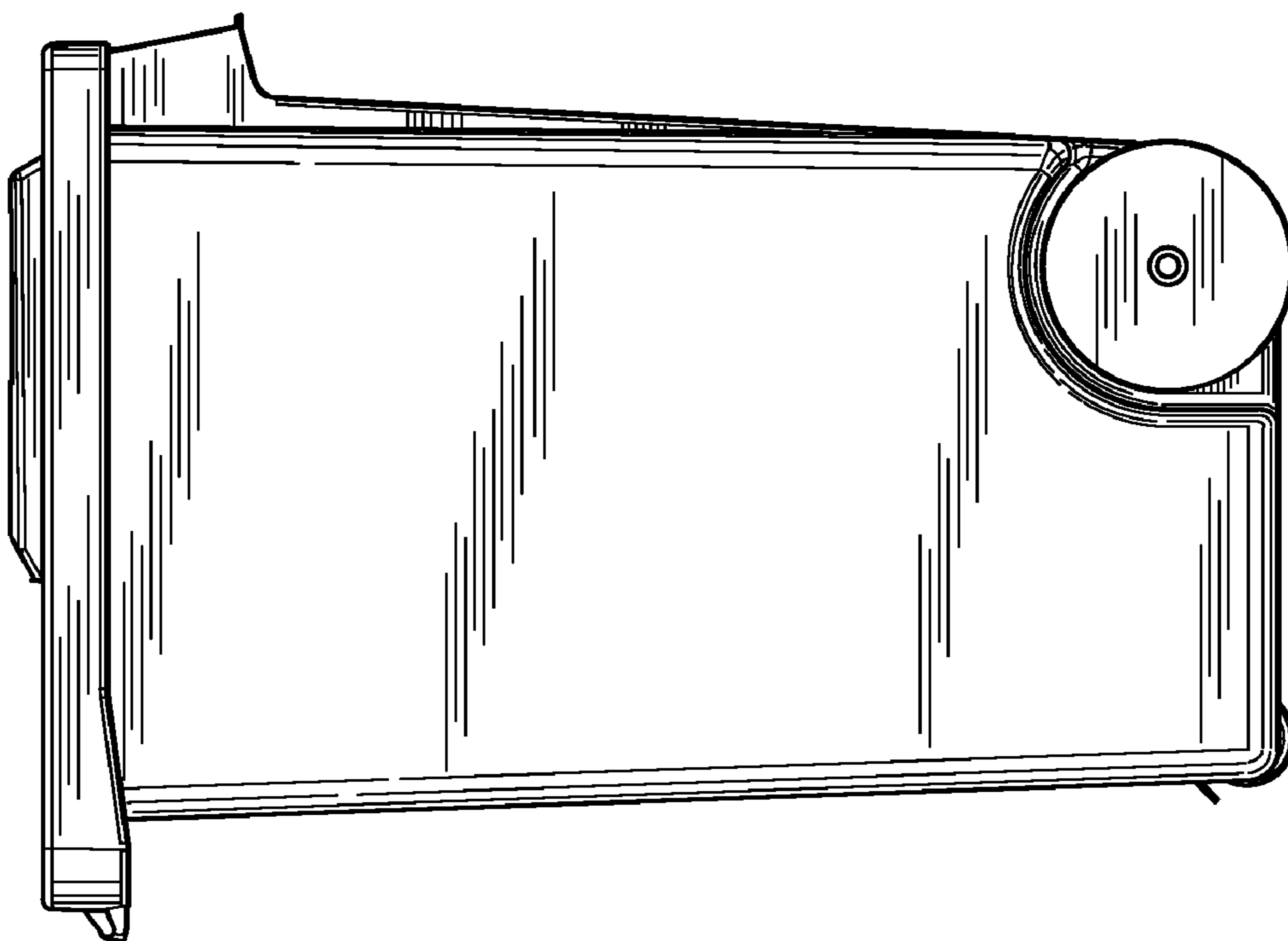


FIG. 6

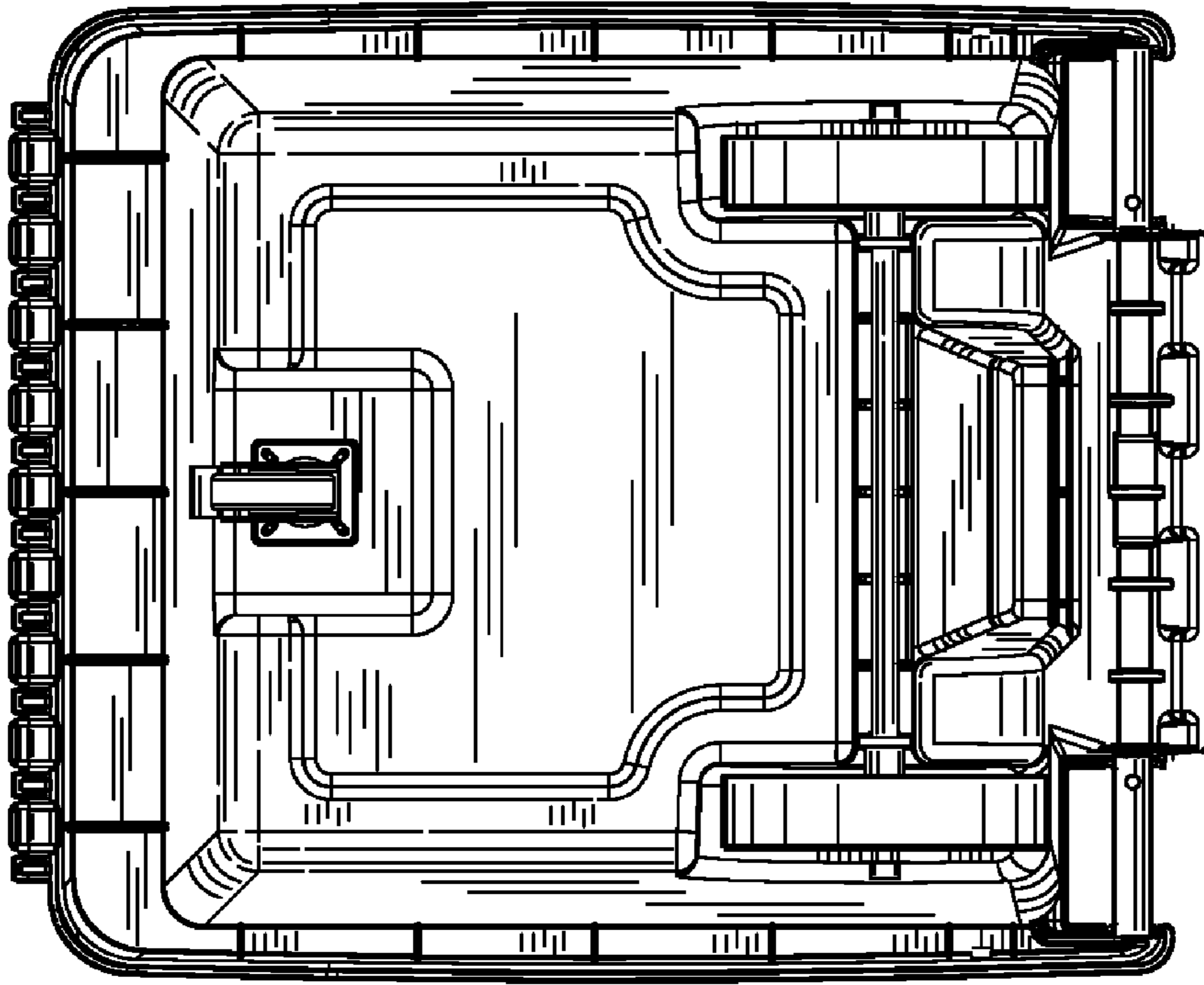


FIG. 8

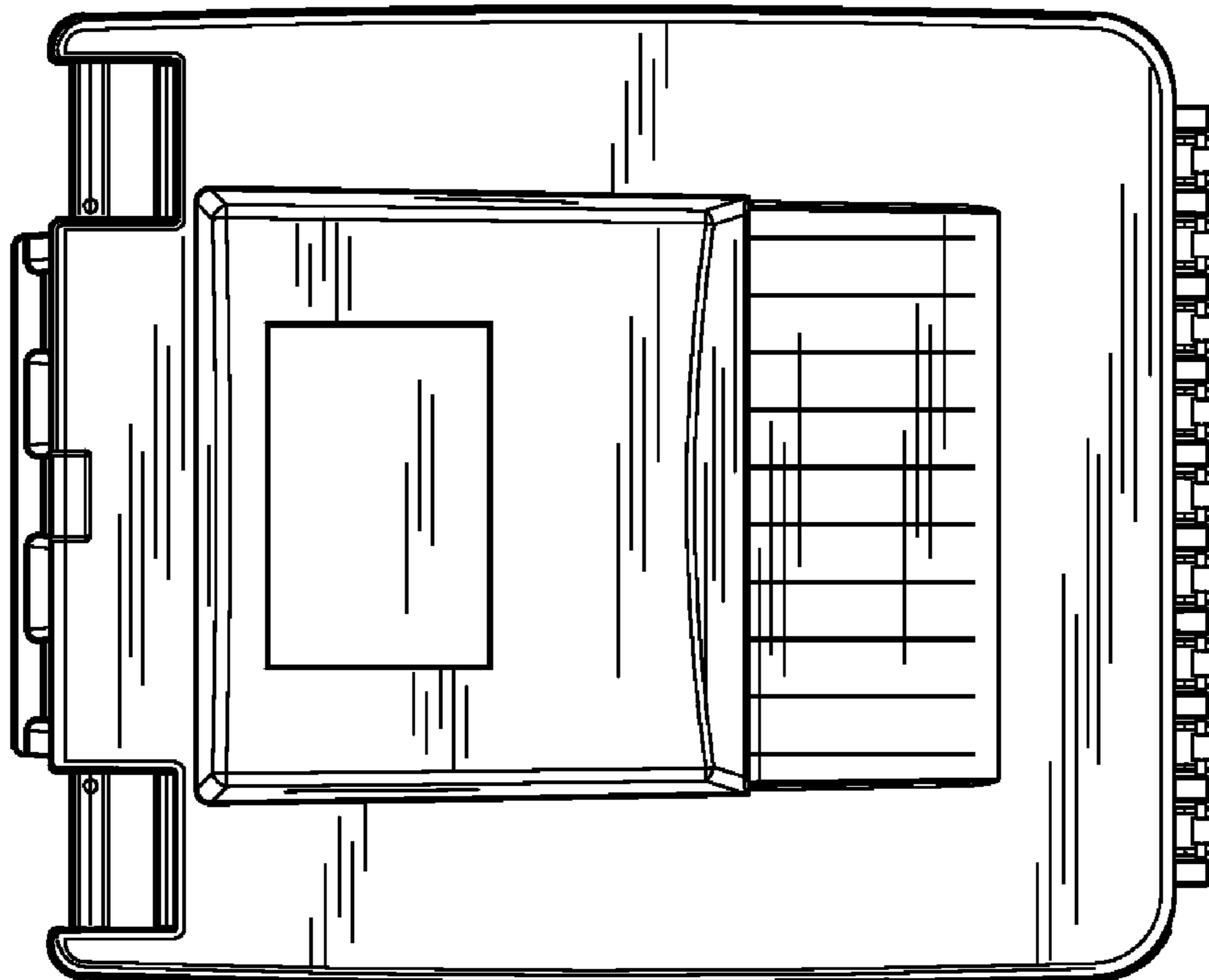


FIG. 7