



US00D594162S

(12) **United States Design Patent**
Knox et al.

(10) **Patent No.:** **US D594,162 S**
(45) **Date of Patent:** **** Jun. 9, 2009**

(54) **VACUUM CLEANER**

(75) Inventors: **Alexander Stuart Knox**, Malmesbury (GB); **Ross Pascoe**, Malmesbury (GB); **Nicholas George Byatt**, Malmesbury (GB); **Lim Wan Piang**, Malmesbury (GB); **Blair Hugh Hutton**, Malmesbury (GB)

(73) Assignee: **Dyson Limited**, Wiltshire (GB)

(**) Term: **14 Years**

(21) Appl. No.: **29/319,415**

(22) Filed: **Jun. 9, 2008**

(30) **Foreign Application Priority Data**

Dec. 7, 2007 (GB) 4005553

(51) **LOC (9) Cl.** **15-05**

(52) **U.S. Cl.** **D32/21**

(58) **Field of Classification Search** D32/1, D32/21, 31; 15/327.1-327.7, 340.2, 412, 15/320-321, 329, 323, 246.2, 353; 417/234; 55/459.1, DIG. 3, 345, 337, 429, 460; 95/271; 210/512.1

See application file for complete search history.

(56) **References Cited**

U.S. PATENT DOCUMENTS

D382,679 S 8/1997 Dyson

D445,226 S * 7/2001 Jupp D32/21
D484,286 S 12/2003 Dyson et al.
D518,611 S * 4/2006 Hare D32/21
D555,849 S * 11/2007 Choi et al. D32/21
D555,851 S * 11/2007 Shin et al. D32/21
D556,962 S * 12/2007 Choi et al. D32/21
D557,469 S * 12/2007 Choi et al. D32/21
D557,470 S * 12/2007 Choi et al. D32/21

* cited by examiner

Primary Examiner—Ruth McInroy

(74) *Attorney, Agent, or Firm*—Morrison & Foerster LLP

(57) **CLAIM**

We claim the ornamental design for a vacuum cleaner, as shown and described.

DESCRIPTION

FIG. 1 is a perspective view of a vacuum cleaner showing our new design;

FIG. 2 is a plan view thereof from above;

FIG. 3 is a bottom view thereof;

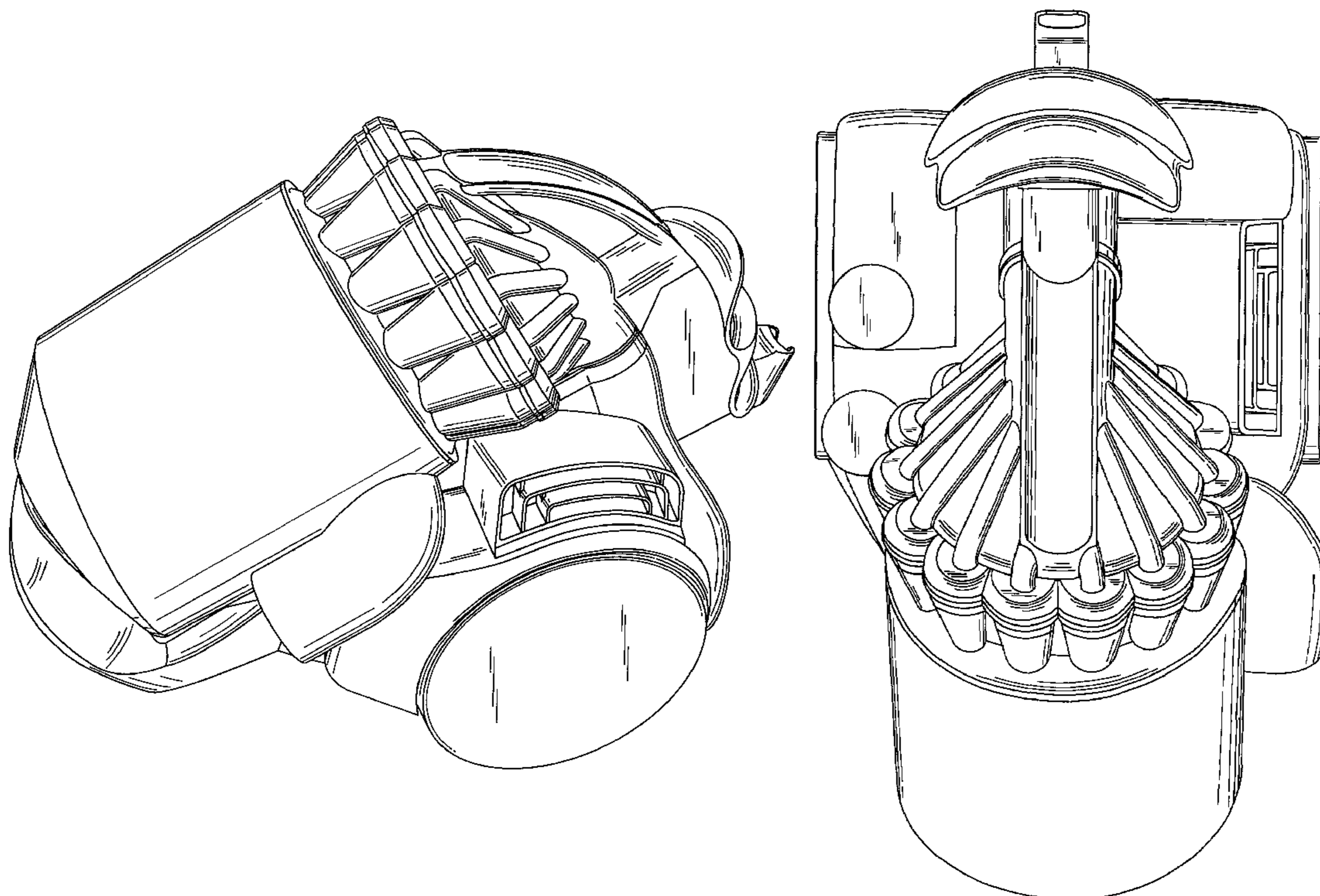
FIG. 4 is a side view thereof;

FIG. 5 is a side view of the opposite side of FIG. 4;

FIG. 6 is a front view thereof; and,

FIG. 7 is a rear view thereof.

1 Claim, 7 Drawing Sheets



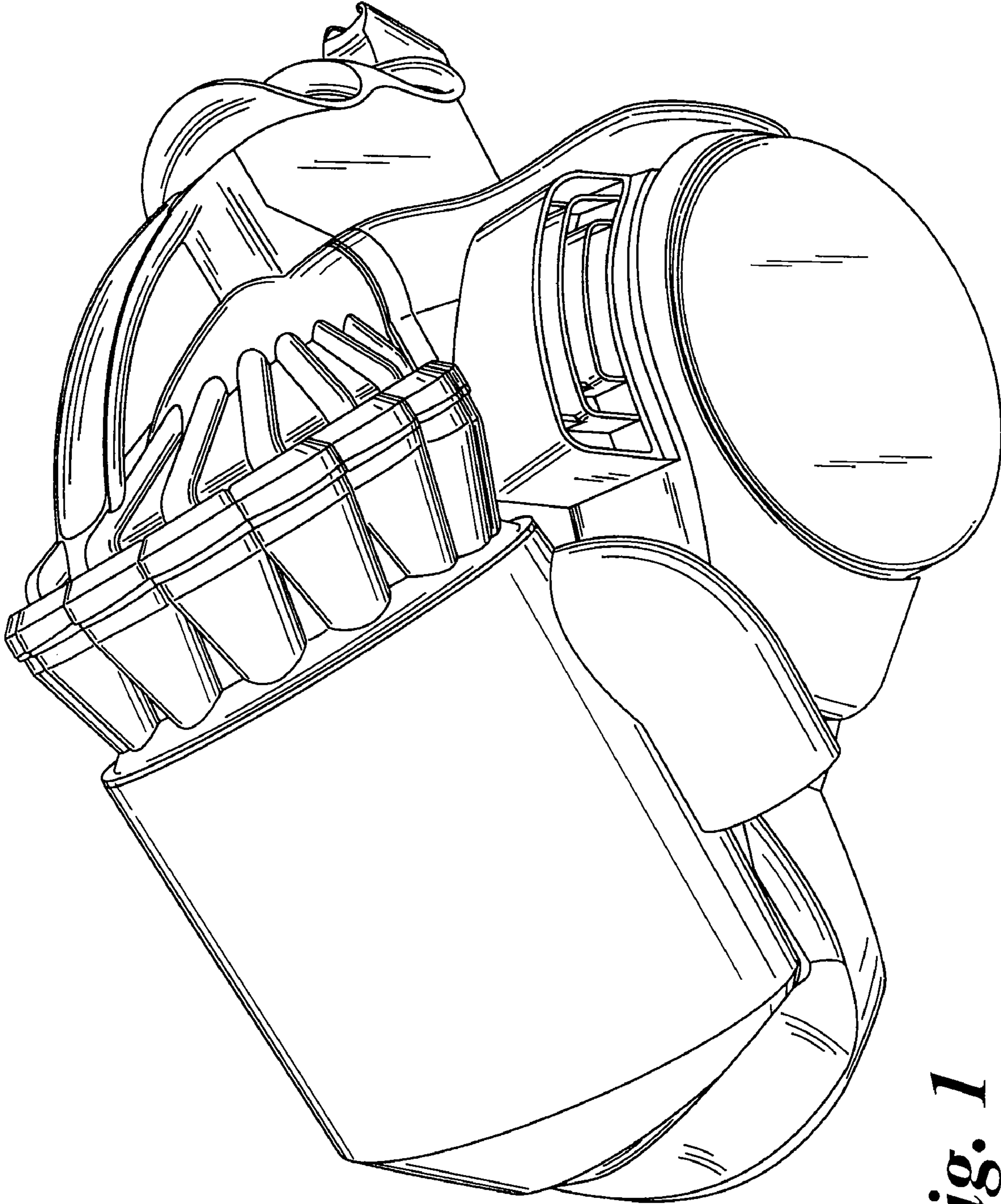


Fig. 1

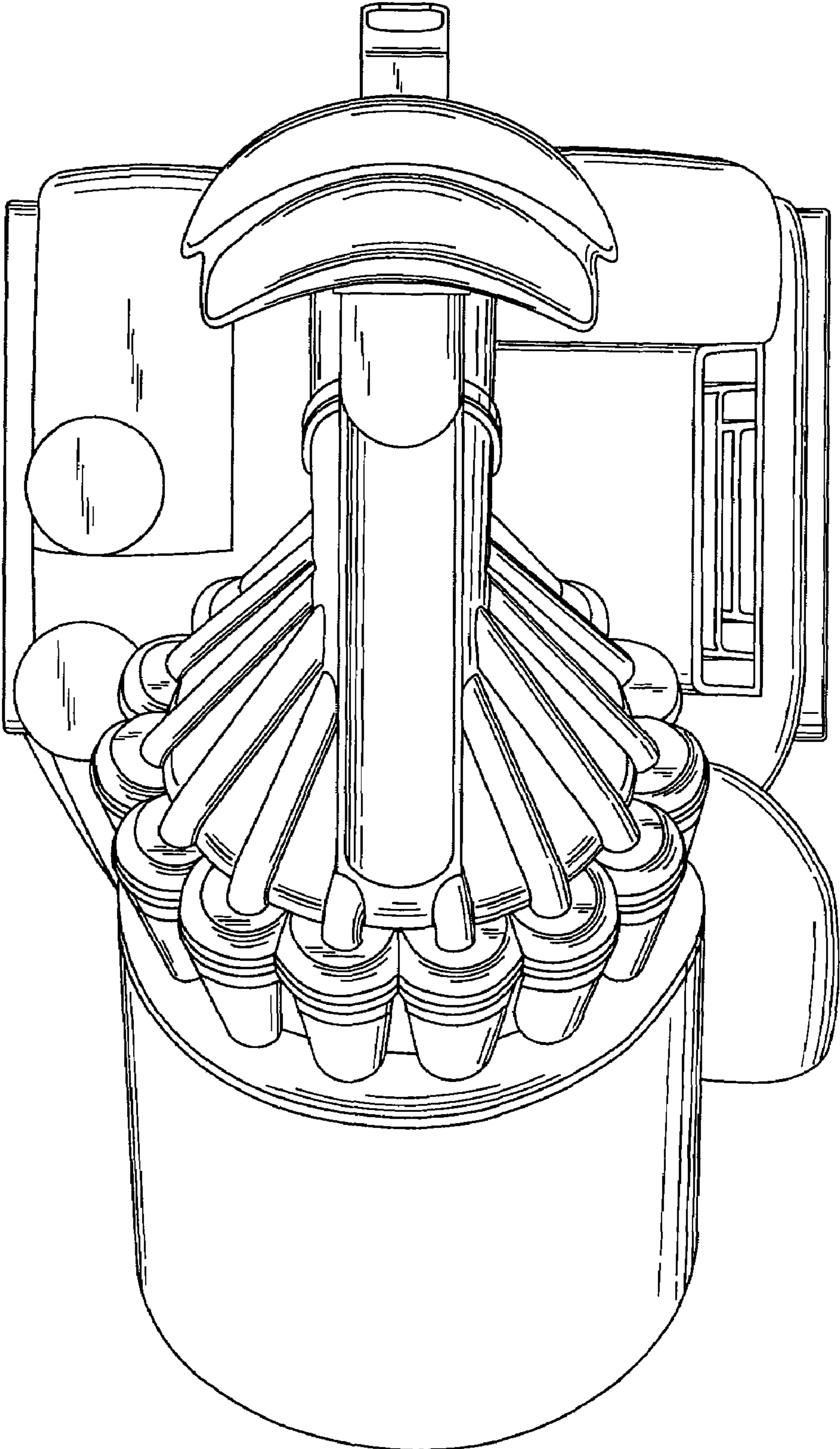


Fig. 2

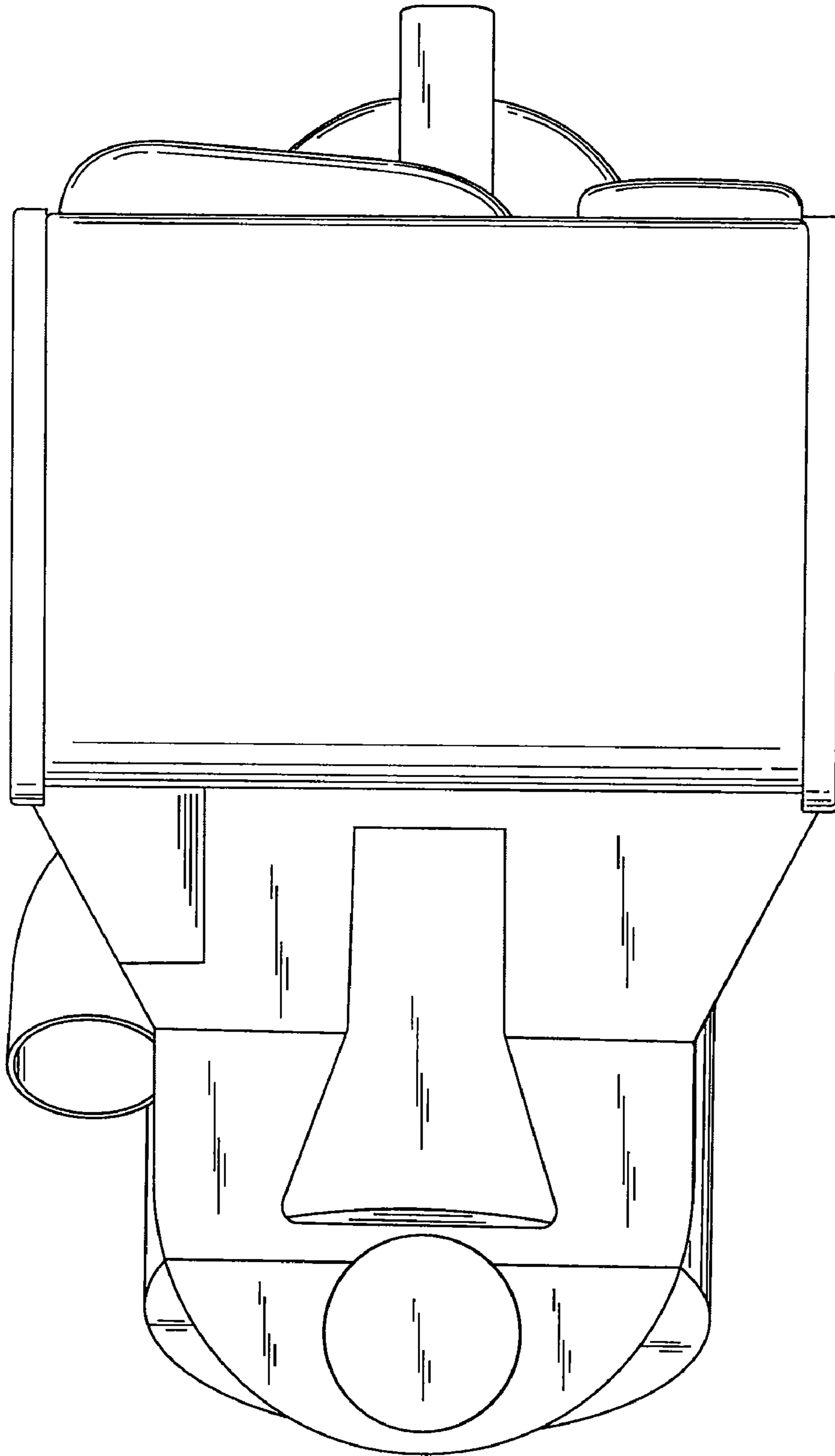


Fig. 3

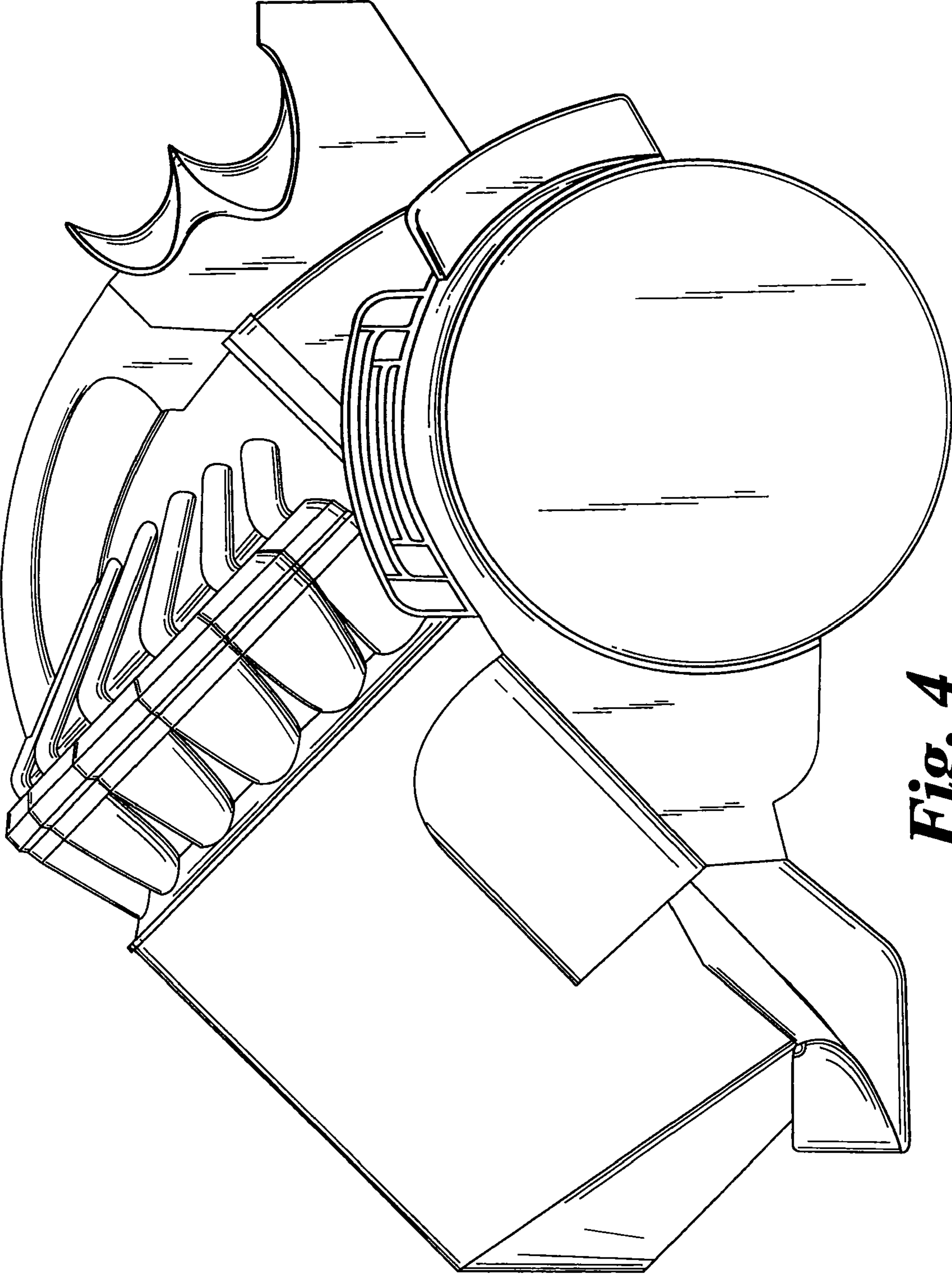


Fig. 4

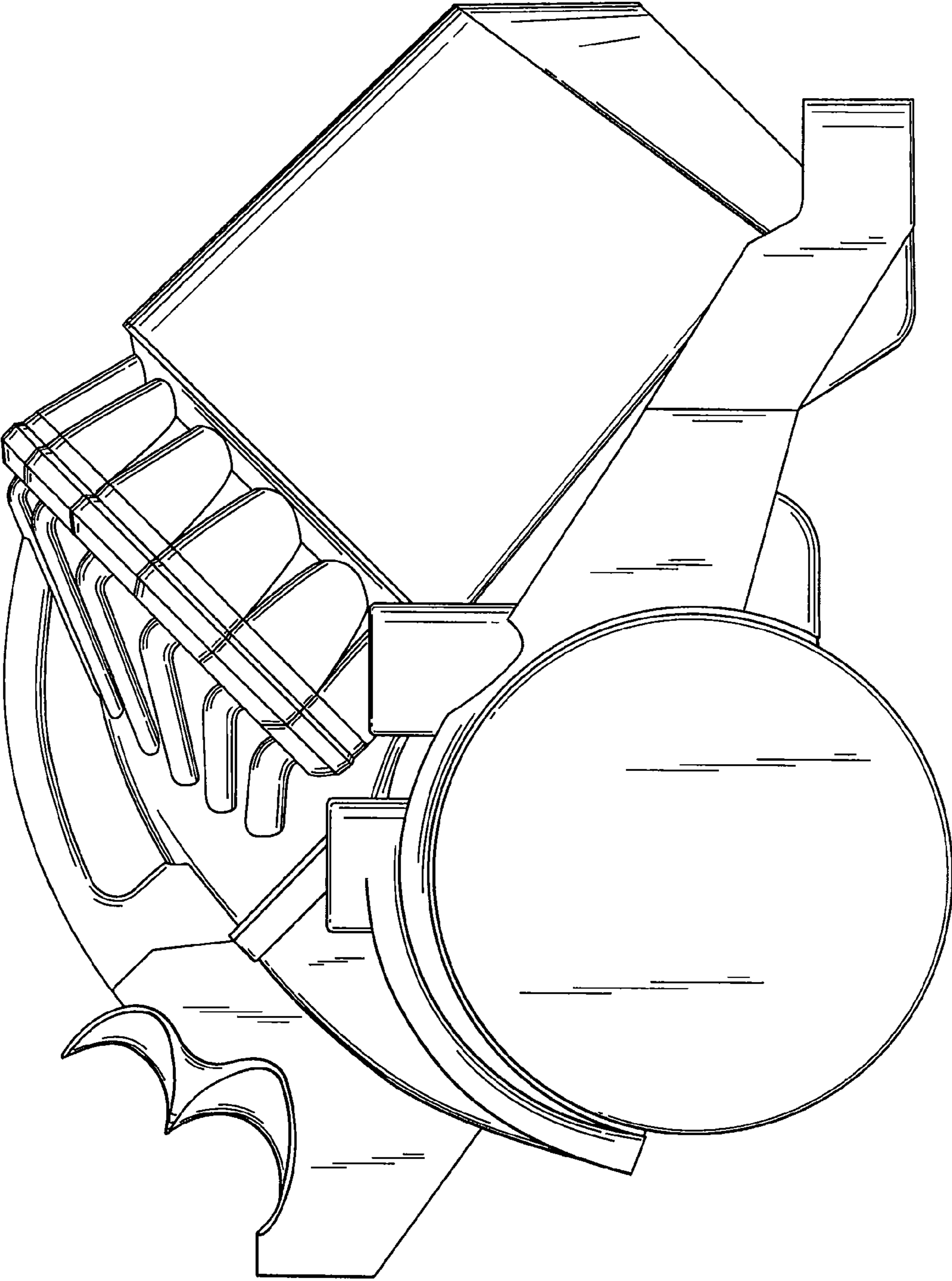


Fig. 5

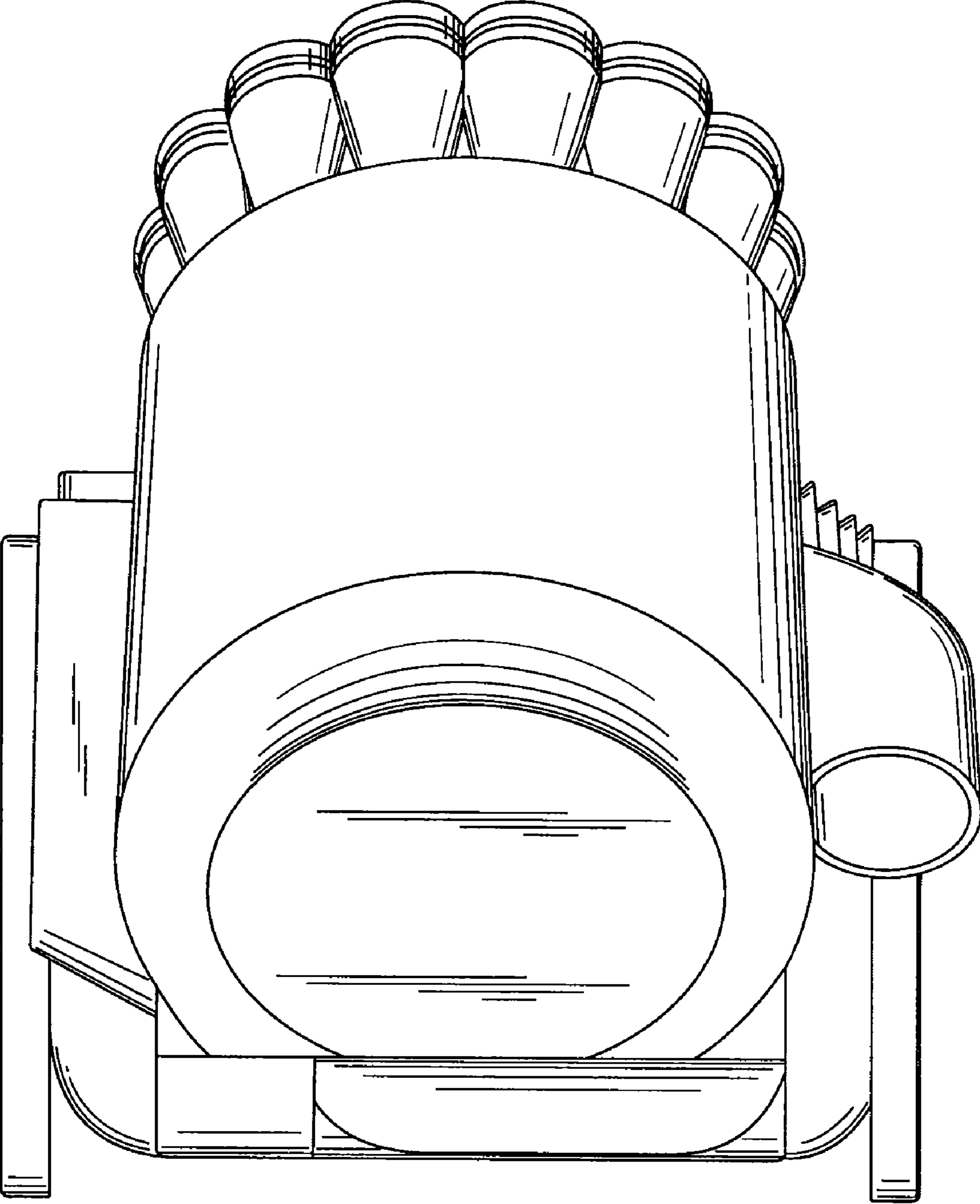


Fig. 6

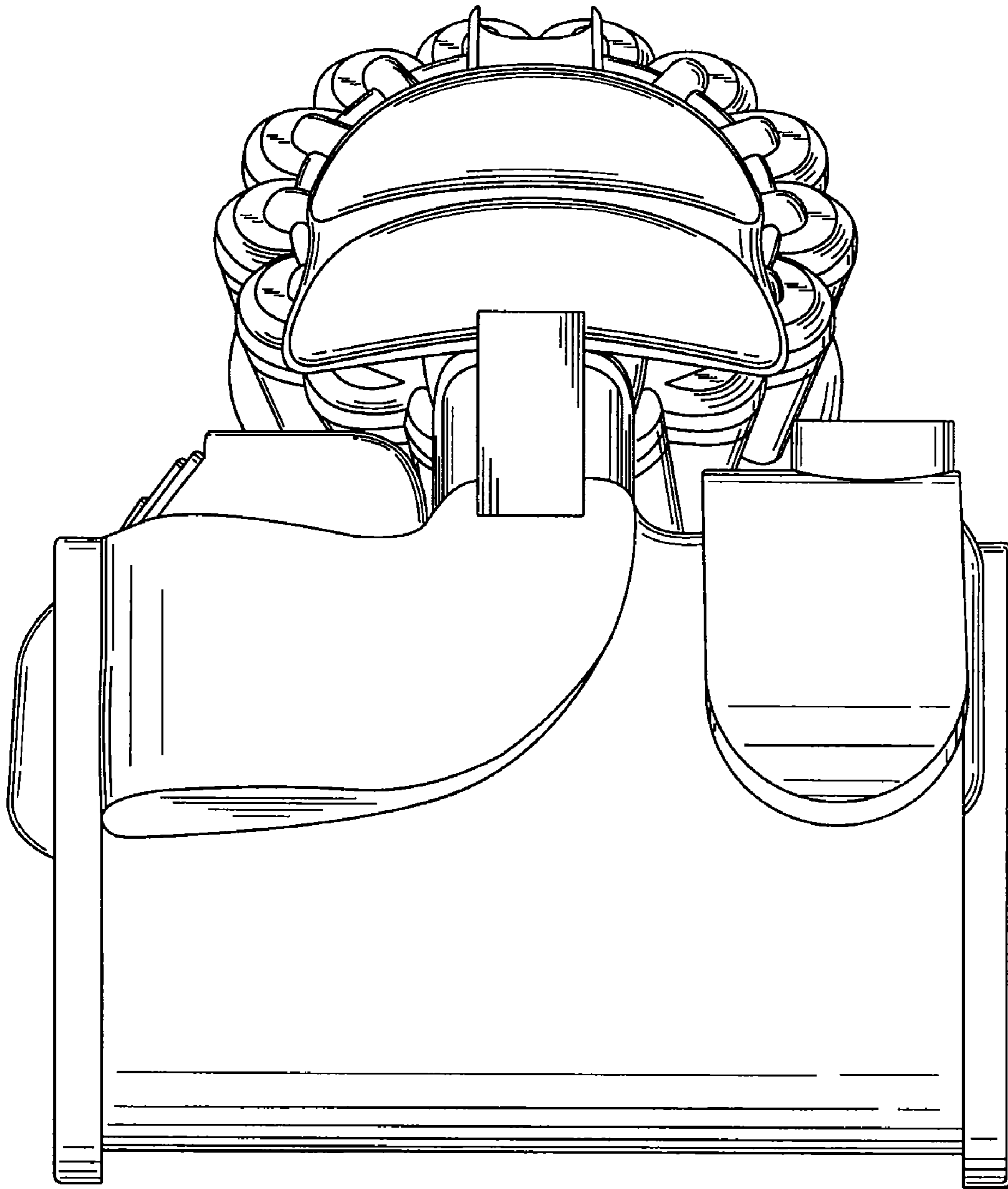


Fig. 7