



US00D594161S

(12) **United States Design Patent**
Worden

(10) **Patent No.:** **US D594,161 S**
(45) **Date of Patent:** **** Jun. 9, 2009**

(54) **ELBOW PAD**

(76) Inventor: **Michael Worden**, 17280 N. Green
Mountain Rd., San Antonio, TX (US)
78247

(**) Term: **14 Years**

(21) Appl. No.: **29/295,706**

(22) Filed: **Oct. 4, 2007**

(51) **LOC (9) Cl.** **02-99**

(52) **U.S. Cl.** **D29/121.1**

(58) **Field of Classification Search** D29/100,
D29/101.1, 101.2, 101.3, 101.4, 101.5, 120.1,
D29/121.1, 121.2, 122, 124; D2/828, 847,
D2/860, 861; D21/683; D30/152; 2/1, 2.5,
2/16, 22, 23, 24, 51, 62, 70, 92, 102, 223,
2/227, 267, 455, 456, 457, 458, 459, 460,
2/461, 462, 463, 464, 465, 466, 467, 911;
109/49.5; 182/3, 4, 5, 6; 244/151 R; 297/48.5
See application file for complete search history.

(56) **References Cited**

U.S. PATENT DOCUMENTS

1,744,384	A *	1/1930	Hood	2/22
2,818,571	A *	1/1958	Grant	2/22
3,044,075	A *	7/1962	Rawlings	2/22
D232,496	S *	8/1974	Rawlings	D29/120.1
4,484,360	A *	11/1984	Leighton et al.	2/62
D280,145	S *	8/1985	Vacanti	D29/120.1
D280,250	S *	8/1985	Vacanti	D29/120.1
D328,159	S *	7/1992	Donzis	D29/100
D328,960	S *	8/1992	Douglas	D29/101.2
5,159,715	A *	11/1992	Jurga et al.	2/462
5,477,559	A *	12/1995	Clement	2/22

5,594,954	A *	1/1997	Huang	2/455
D380,876	S *	7/1997	Campbell	D29/121.1
D430,362	S *	8/2000	Pagotto	D29/121.1
D456,955	S *	5/2002	Pytlewski	D29/121.1
D466,254	S *	11/2002	Hung	D29/121.1
D492,068	S *	6/2004	Peterson et al.	D29/121.1

* cited by examiner

Primary Examiner—T. Chase Nelson

Assistant Examiner—Karen Acker

(74) *Attorney, Agent, or Firm*—Ahab S. Ayoub

(57) **CLAIM**

The ornamental design for an elbow pad, as shown and described.

DESCRIPTION

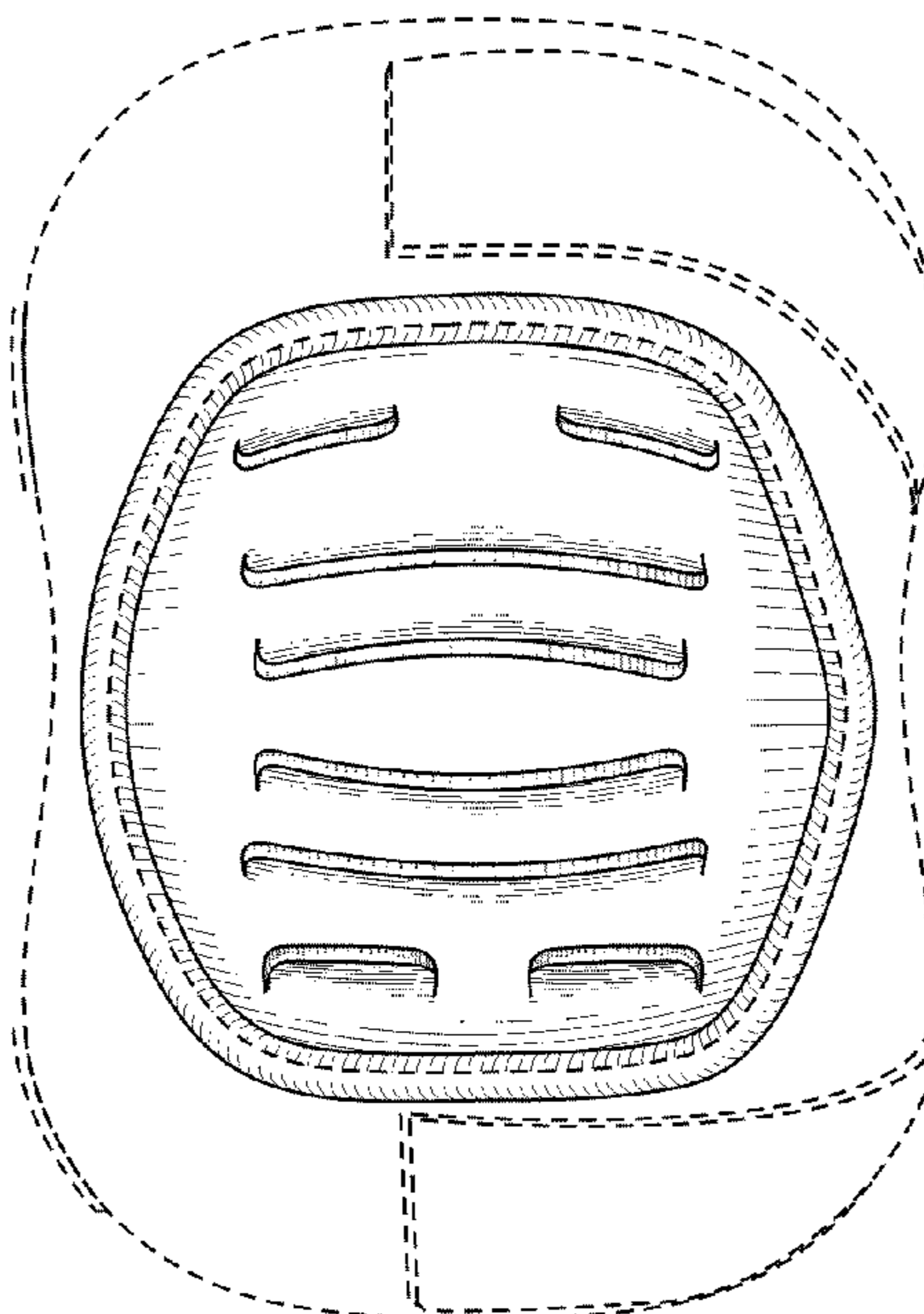
FIG. 1 is a front view of a elbow pad according to the invention. Excepting the longer broken line segments seen within the perimeter of the cap portion at the center of the elbow pad, the other broken lines in the figure views depict unclaimed portions of the design. The broken lines and portions they depict form no part of the claimed design. The longer broken line segments seen within the perimeter of the cap portion at the center of the elbow pad in FIG. 1 depict a seam line, which does not form part of the claimed designs.

FIG. 2 is a left-side view of a elbow pad according to the invention.

FIG. 3 is a top view of a elbow pad according to the invention; and,

FIG. 4 is a bottom view of a elbow pad according to the invention.

1 Claim, 1 Drawing Sheet



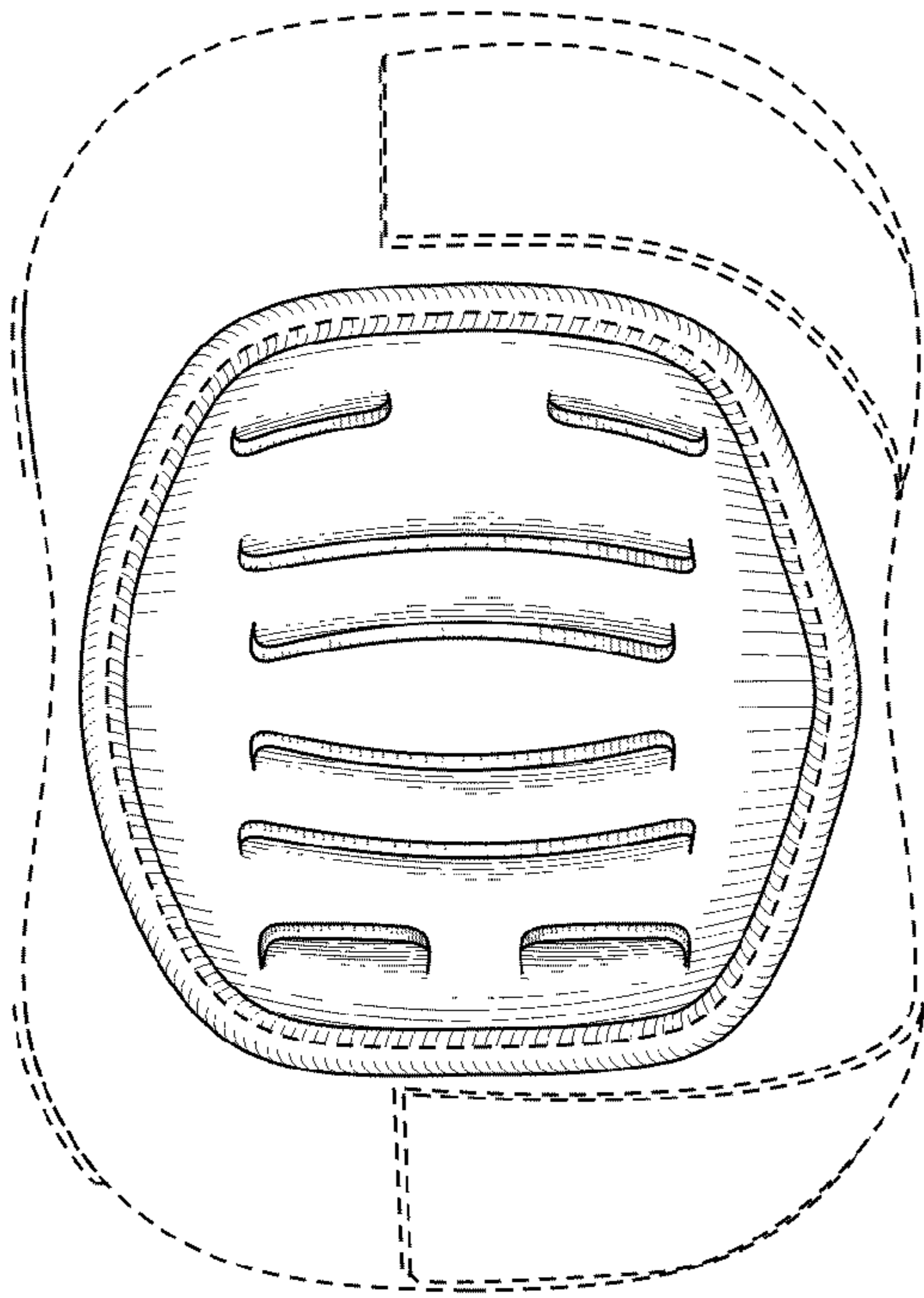


FIG. 1

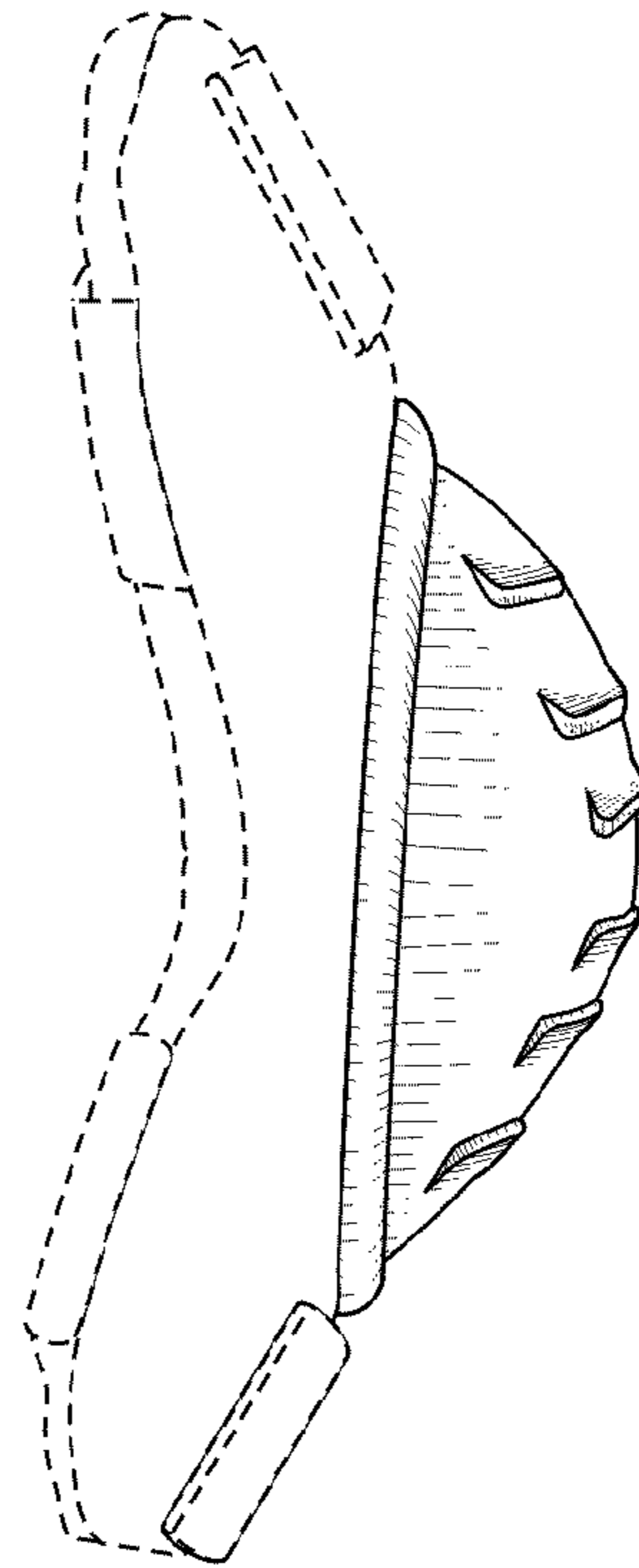


FIG. 2

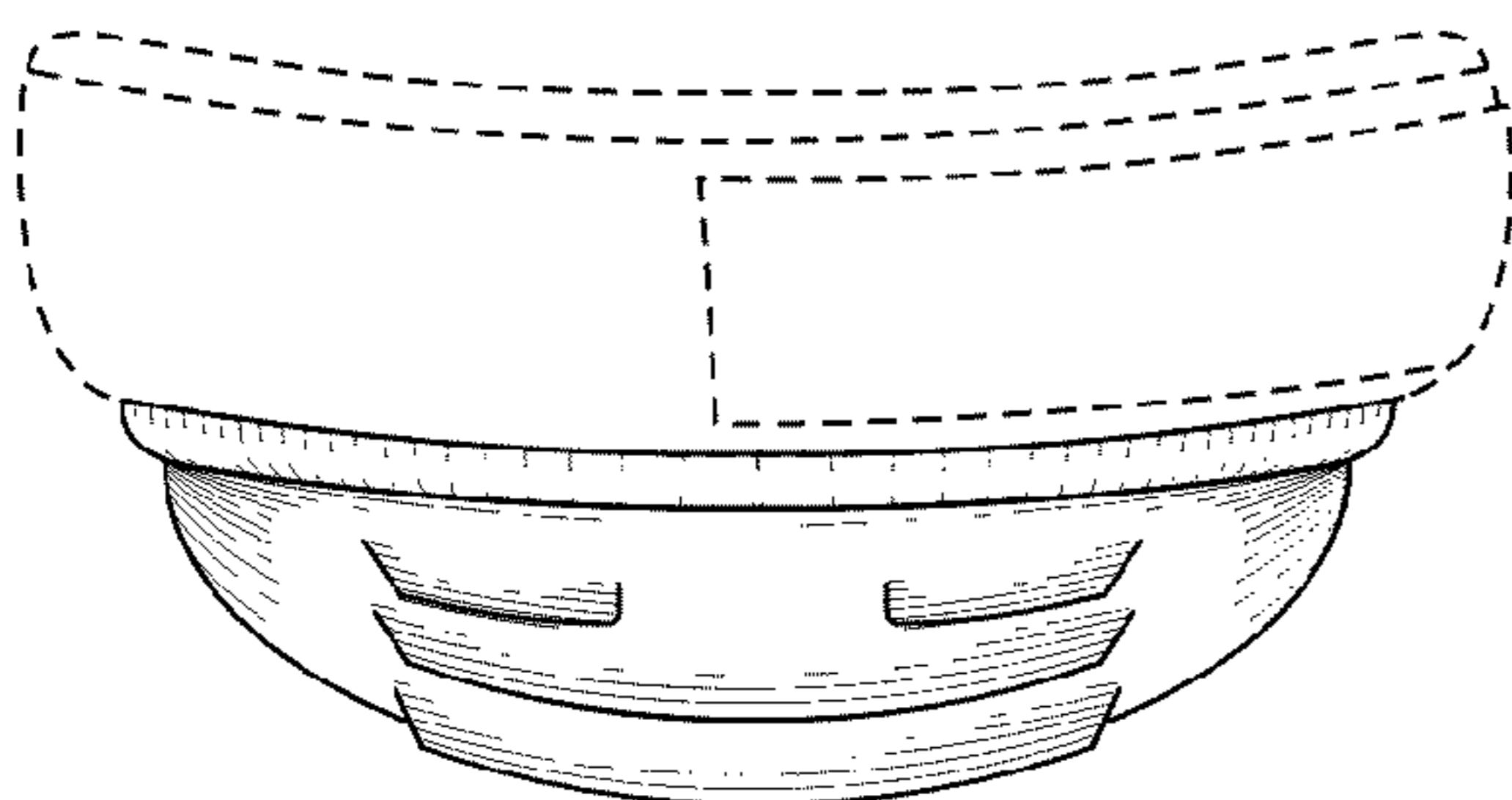


FIG. 3

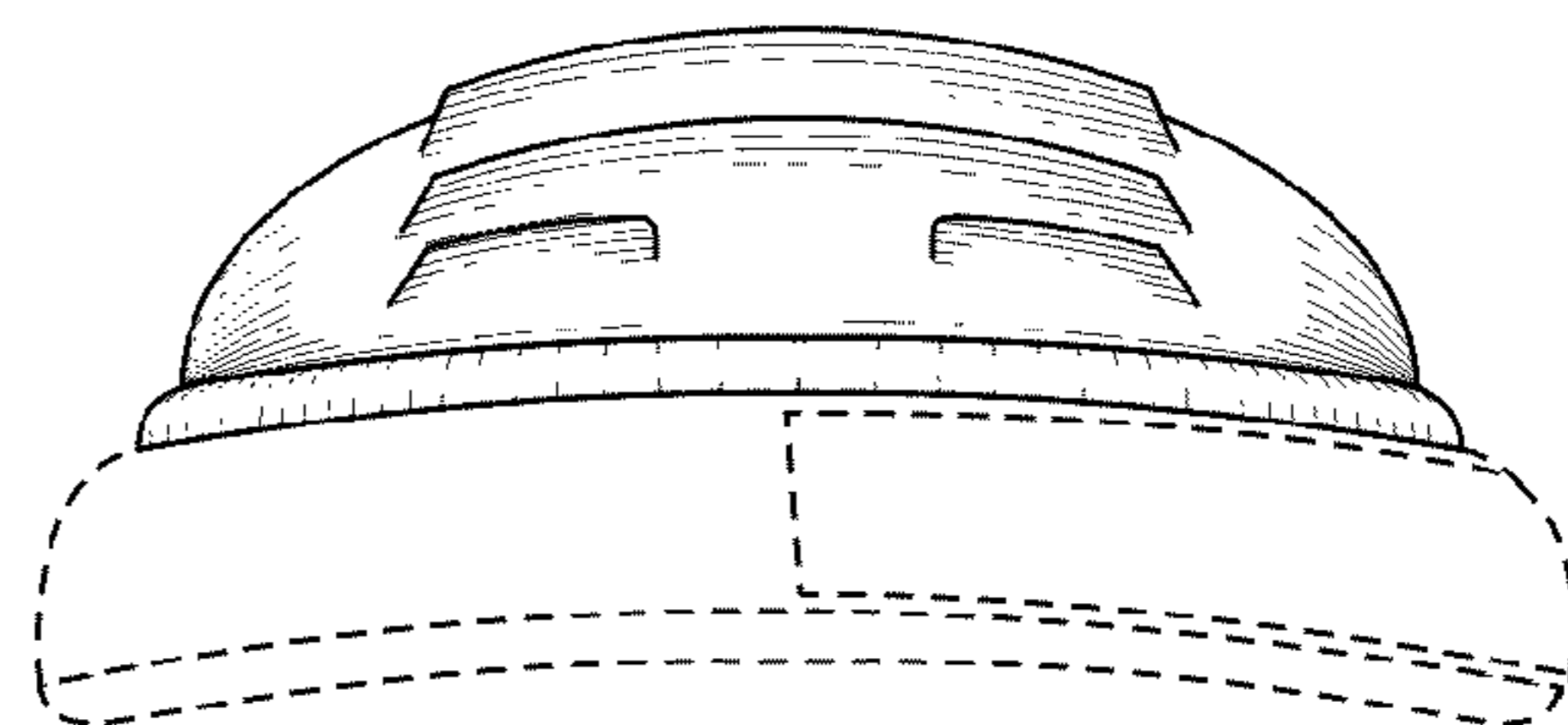


FIG. 4