



US00D594160S

(12) **United States Design Patent**  
**Worden**

(10) **Patent No.:** **US D594,160 S**  
(45) **Date of Patent:** **\*\* Jun. 9, 2009**

(54) **KNEEPAD**

(76) Inventor: **Michael Worden**, 17280 N. Green  
Mountain Rd., San Antonio, TX (US)  
78247

(\*\*) Term: **14 Years**

(21) Appl. No.: **29/295,705**

(22) Filed: **Oct. 4, 2007**

(51) **LOC (9) Cl.** ..... **02-99**

(52) **U.S. Cl.** ..... **D29/121.1**

(58) **Field of Classification Search** ..... D29/100,  
D29/101.1, 101.2, 101.3, 101.4, 101.5, 120.1,  
D29/121.1, 121.2, 122, 124; D2/828, 847,  
D2/860, 861; D21/683; D30/152; 2/1, 2.5,  
2/16, 22, 23, 24, 51, 62, 70, 92, 102, 223,  
2/227, 267, 455, 456, 457, 458, 459, 460,  
2/461, 462, 463, 464, 465, 466, 467, 911;  
109/49.5; 182/3, 4, 5, 6; 244/151 R; 297/48.5  
See application file for complete search history.

(56) **References Cited**

U.S. PATENT DOCUMENTS

1,744,384	A *	1/1930	Hood	.....	2/22
D171,589	S *	3/1954	Gilman	.....	D29/100
2,818,571	A *	1/1958	Grant	.....	2/22
3,044,075	A *	7/1962	Rawlings	.....	2/267
D232,496	S *	8/1974	Rawlings	.....	D29/120.1
4,484,360	A *	11/1984	Leighton et al.	.....	2/62
D280,145	S *	8/1985	Vacanti	.....	D29/120.1
D280,250	S *	8/1985	Vacanti	.....	D29/120.1
D328,159	S *	7/1992	Donzis	.....	D29/100
D328,960	S *	8/1992	Douglas	.....	D29/101.2
5,159,715	A *	11/1992	Jurga et al.	.....	2/462
D355,052	S *	1/1995	Paikos et al.	.....	D29/100
5,477,559	A *	12/1995	Clement	.....	2/22
5,537,689	A *	7/1996	Dancyger	.....	2/24
D373,657	S *	9/1996	Walker	.....	D29/121.1

5,594,954	A *	1/1997	Huang	.....	2/455
D377,851	S *	2/1997	Dancyger	.....	D29/121.1
D380,876	S *	7/1997	Campbell	.....	D29/121.1
5,836,015	A *	11/1998	Kristensen et al.	.....	2/23
D430,362	S *	8/2000	Pagotto	.....	D29/121.1
D456,955	S *	5/2002	Pytlewski	.....	D29/121.1
D466,254	S *	11/2002	Hung	.....	D29/121.1
D492,068	S *	6/2004	Peterson et al.	.....	D29/121.1
D505,753	S *	5/2005	Qvortrup	.....	D29/100
2008/0115248	A1 *	5/2008	Meadows	.....	2/22

\* cited by examiner

*Primary Examiner*—T. Chase Nelson

*Assistant Examiner*—Karen Acker

(74) *Attorney, Agent, or Firm*—Ahab S. Ayoub

(57) **CLAIM**

The ornamental design for a kneepad, as shown and described.

**DESCRIPTION**

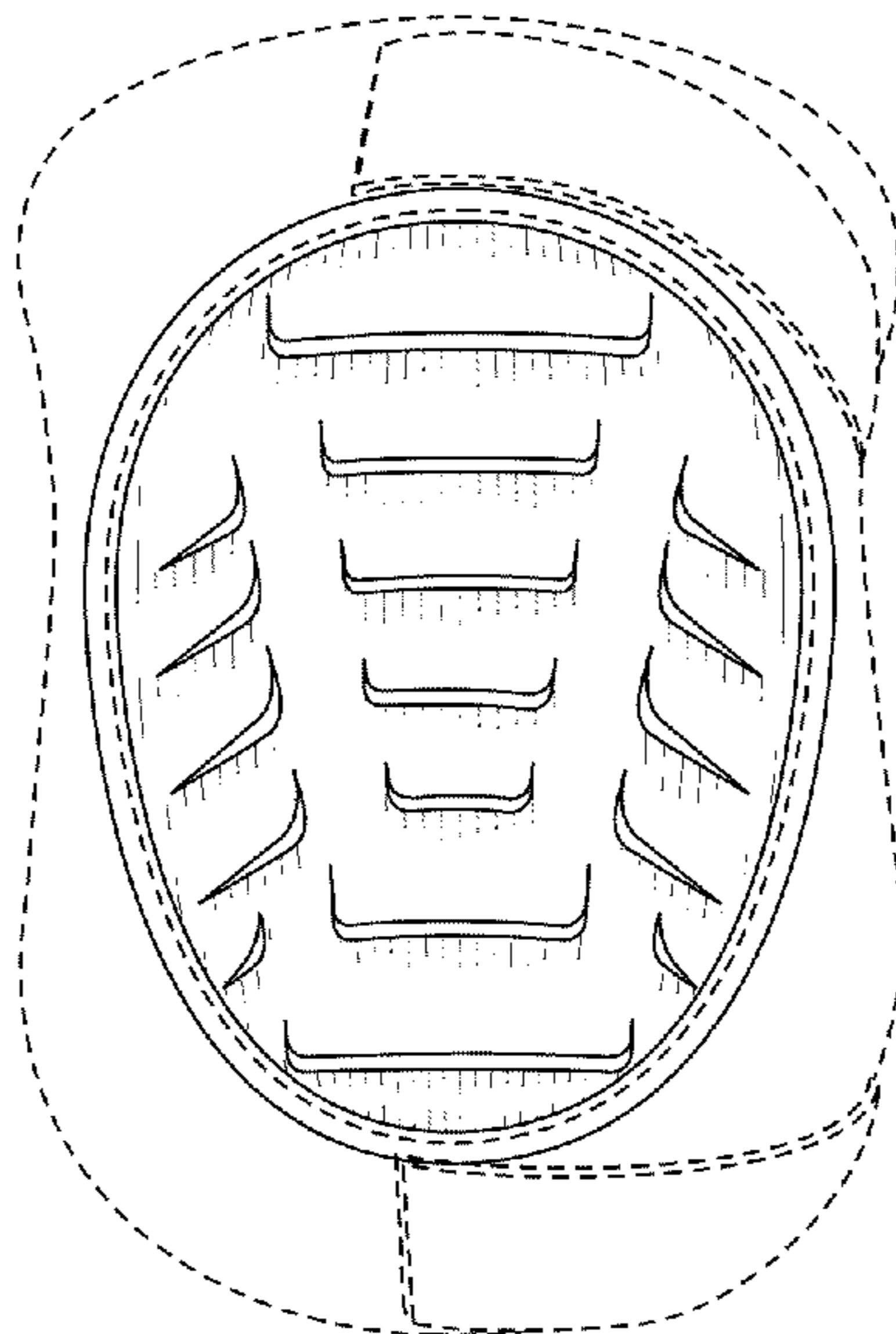
FIG. 1 is a front view of a knee pad according to the invention. Excepting the longer broken line segments seen within the perimeter of the curved portion at the center of the knee pad, the other broken lines in the figure views depict unclaimed portions of the design. The broken lines and portions they depict form no part of the claimed design. The longer broken line segments seen within the perimeter of the cap portion at the center of the knee pad in FIG. 1 depict a seam line, which does not form part of the claimed design.

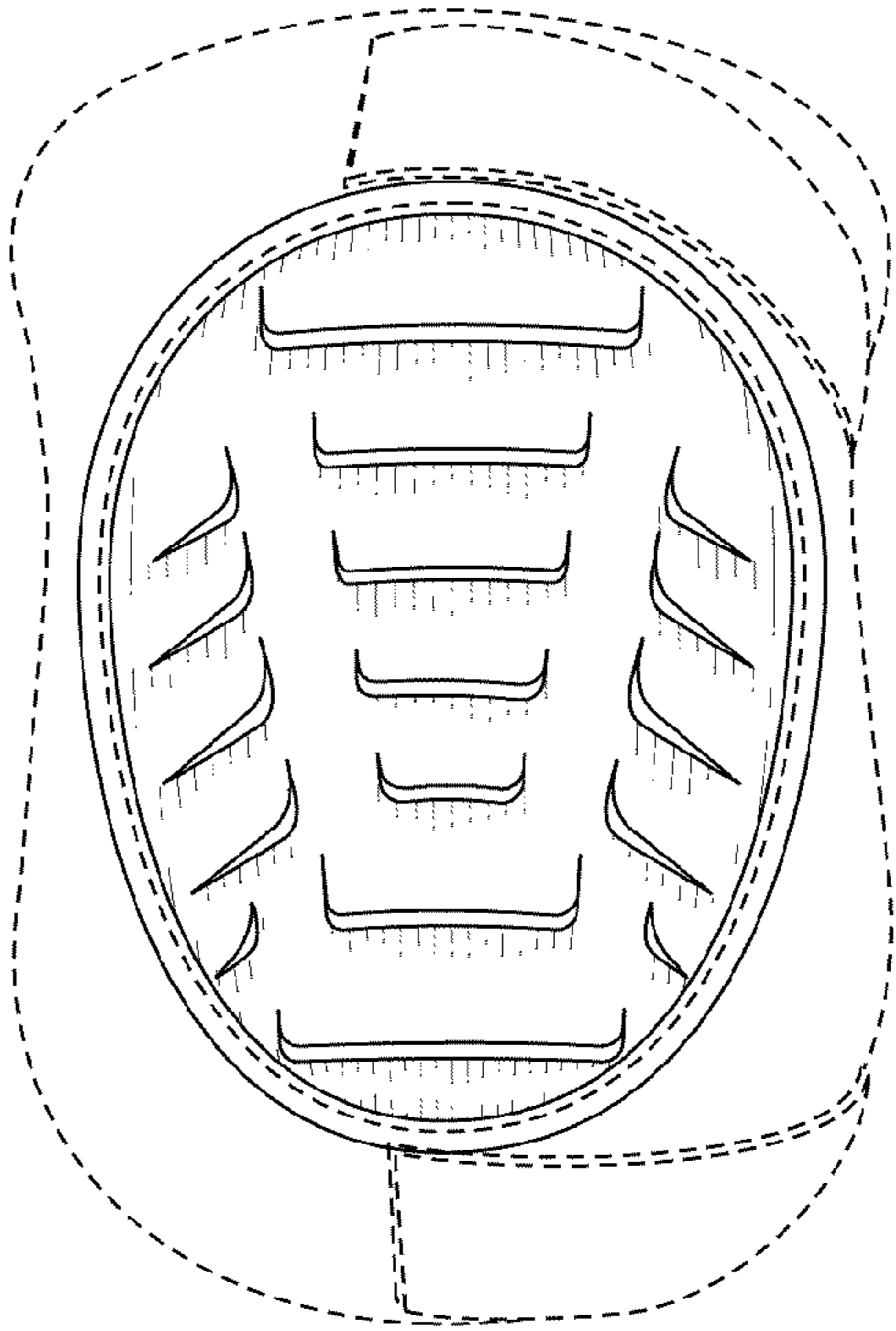
FIG. 2 is a left-side view of a kneepad according to the invention.

FIG. 3 is a top view of a kneepad according to the invention; and,

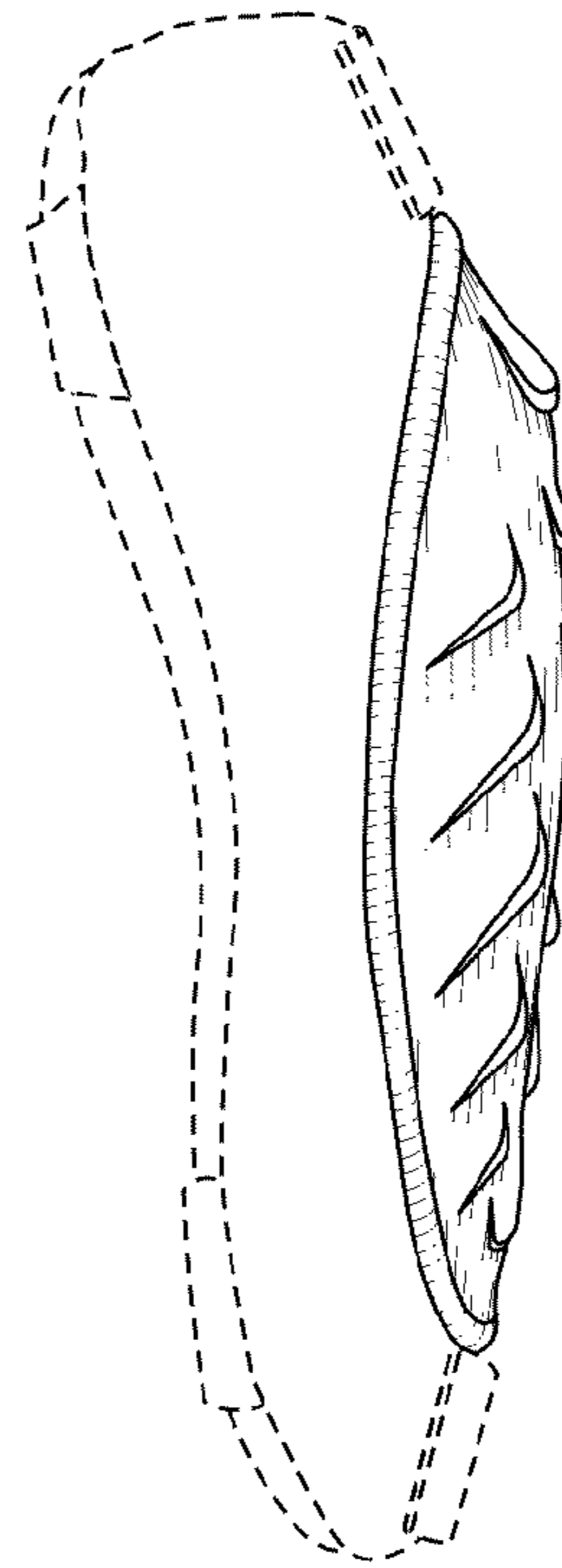
FIG. 4 is a bottom view of a kneepad according to the invention.

**1 Claim, 1 Drawing Sheet**

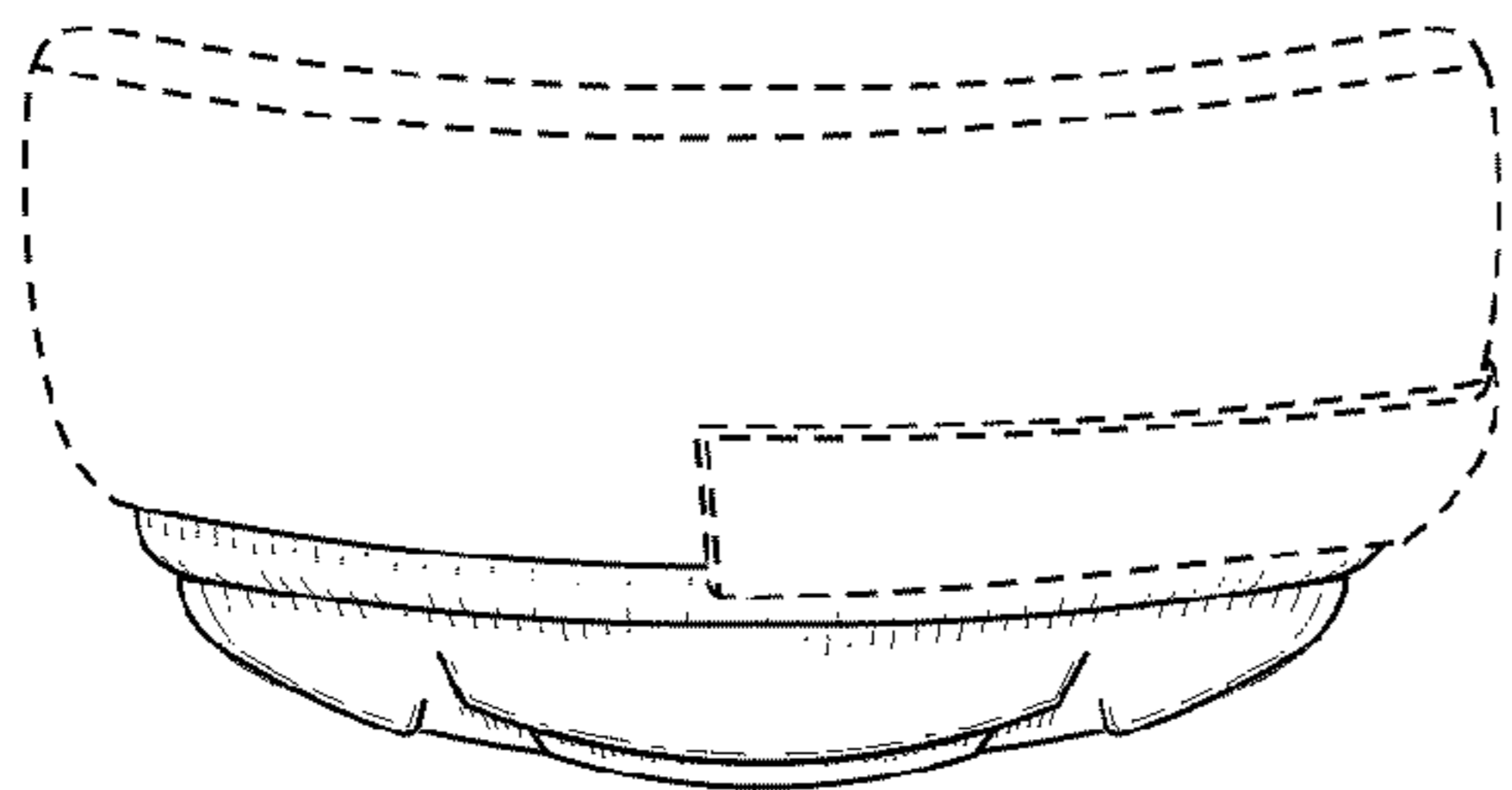




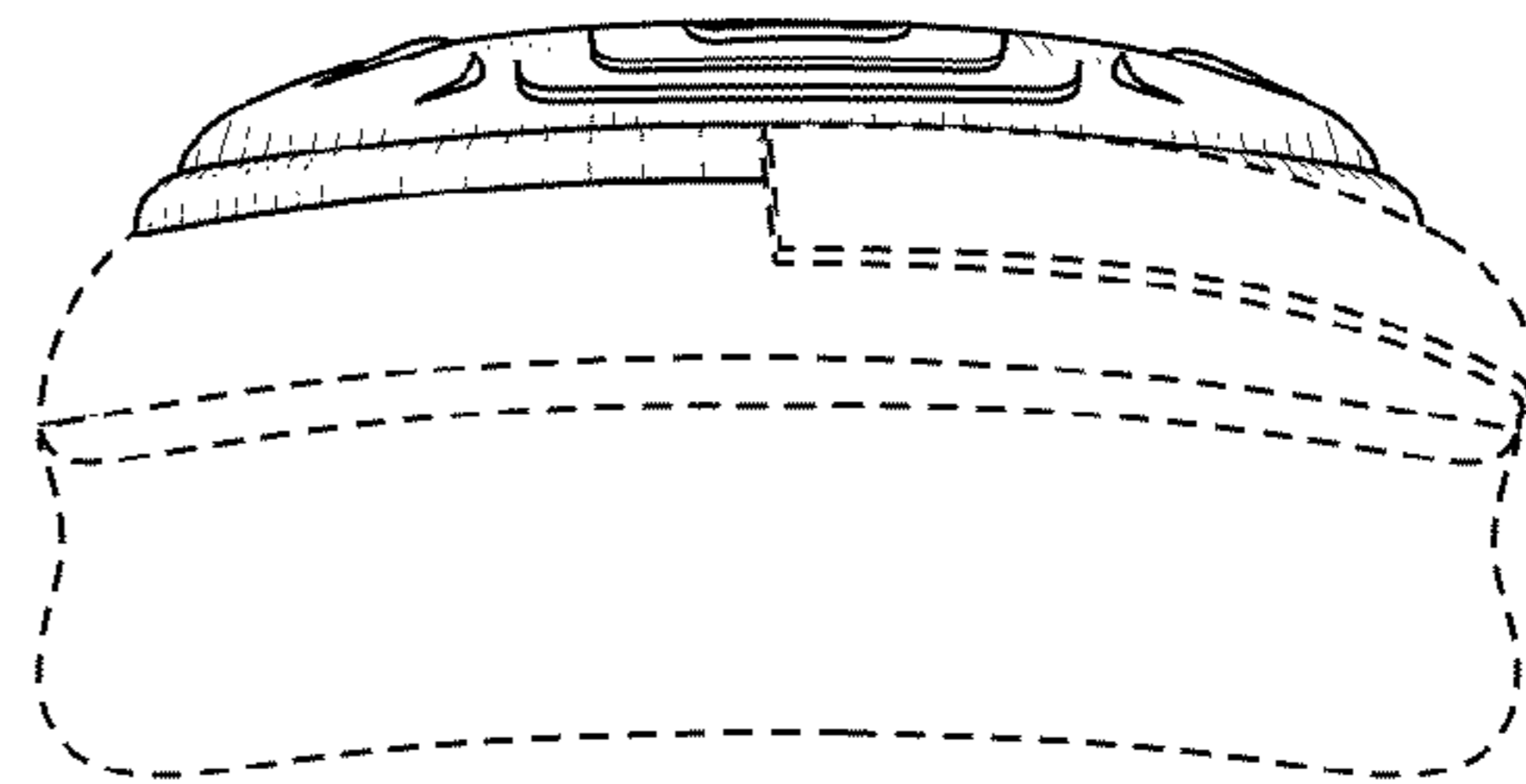
**FIG. 1**



**FIG. 2**



**FIG. 3**



**FIG. 4**