

US00D594156S

(12) **United States Design Patent**
Kita

(10) **Patent No.:** **US D594,156 S**
(45) **Date of Patent:** **** Jun. 9, 2009**

(54) **NAIL CLIPPER**

(75) Inventor: **Toshiyuki Kita**, Seki (JP)

(73) Assignee: **Kai R&D Center Co., Ltd.**, Gifu-ken (JP)

(**) Term: **14 Years**

(21) Appl. No.: **29/309,777**

(22) Filed: **Oct. 7, 2008**

(30) **Foreign Application Priority Data**

Apr. 11, 2008 (JP) 2008-009353

(51) **LOC (9) Cl.** **28-03**

(52) **U.S. Cl.** **D28/60**

(58) **Field of Classification Search** 30/26-29,
30/186; D28/56-60; 132/73-75.6
See application file for complete search history.

(56) **References Cited**

U.S. PATENT DOCUMENTS

2,616,436 A * 11/1952 Langley 132/75.5
2006/0075639 A1 * 4/2006 Wong 30/28
2008/0148572 A1 * 6/2008 Samson 30/28

FOREIGN PATENT DOCUMENTS

JP S-536499 7/1980
JP S-536499-001 2/1983
JP S-602668 6/1983
JP S-536499-002 1/1984
JP S-717535 11/1987
JP S-766988 7/1989
JP S-787471 5/1990
JP S-816458 8/1991
JP S-823099 11/1991

JP S-905272 8/1994
JP S-936743 10/1995
JP S-1113141 7/2001
JP S-1186153 9/2003

* cited by examiner

Primary Examiner—Jennifer Rivard
(74) *Attorney, Agent, or Firm*—Posz Law Group, PLC

(57) **CLAIM**

The ornamental design for a nail clipper, as shown and described.

DESCRIPTION

FIG. 1 is a front perspective view of a nail clipper showing my new design;

FIG. 2 is a rear perspective view thereof;

FIG. 3 is a front view thereof;

FIG. 4 is a rear view thereof;

FIG. 5 is a top plan view thereof;

FIG. 6 is a bottom plan view thereof;

FIG. 7 is a right side view thereof;

FIG. 8 is a left side view thereof;

FIG. 9 is a front perspective view thereof showing the article in which the operation lever is opened; and,

FIG. 10 is a rear perspective view thereof showing the article in which the operation lever is opened.

The broken lines connecting the solid contour lines of the nail clipper represent the bounds of the claim. The remaining broken lines illustrate portions of the article. None of the broken lines form part of the claimed design.

1 Claim, 7 Drawing Sheets

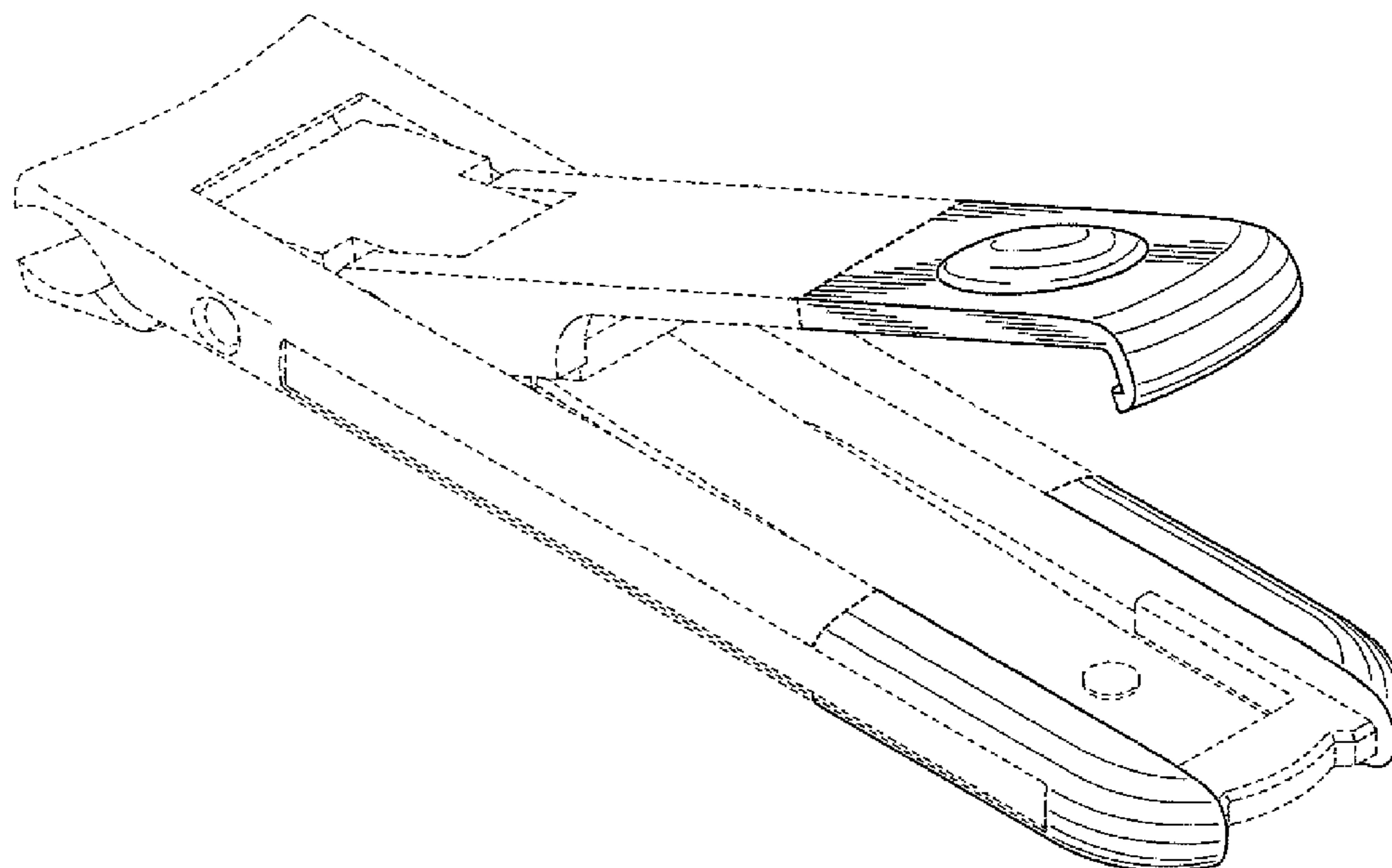


FIG. 1

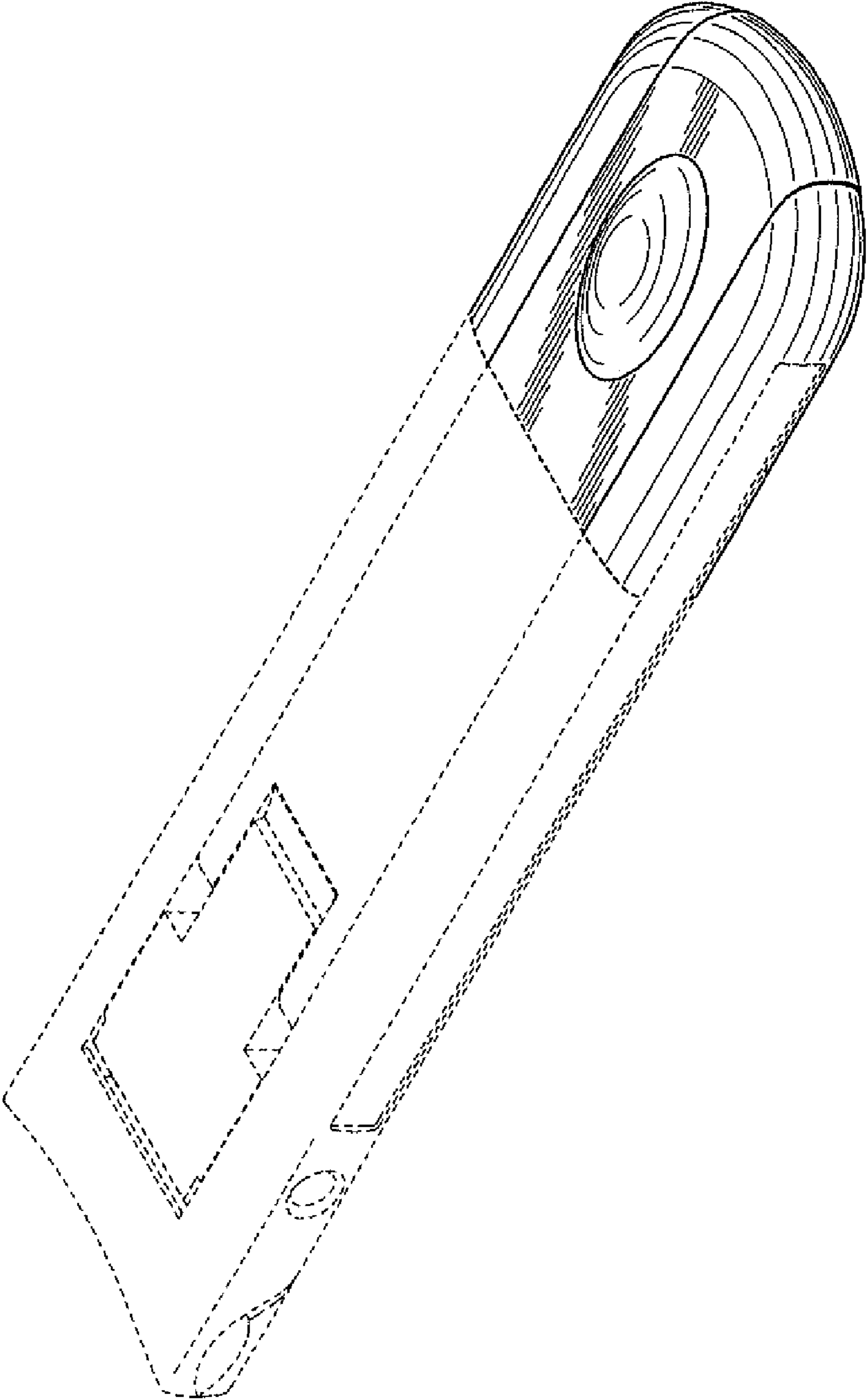


FIG. 2

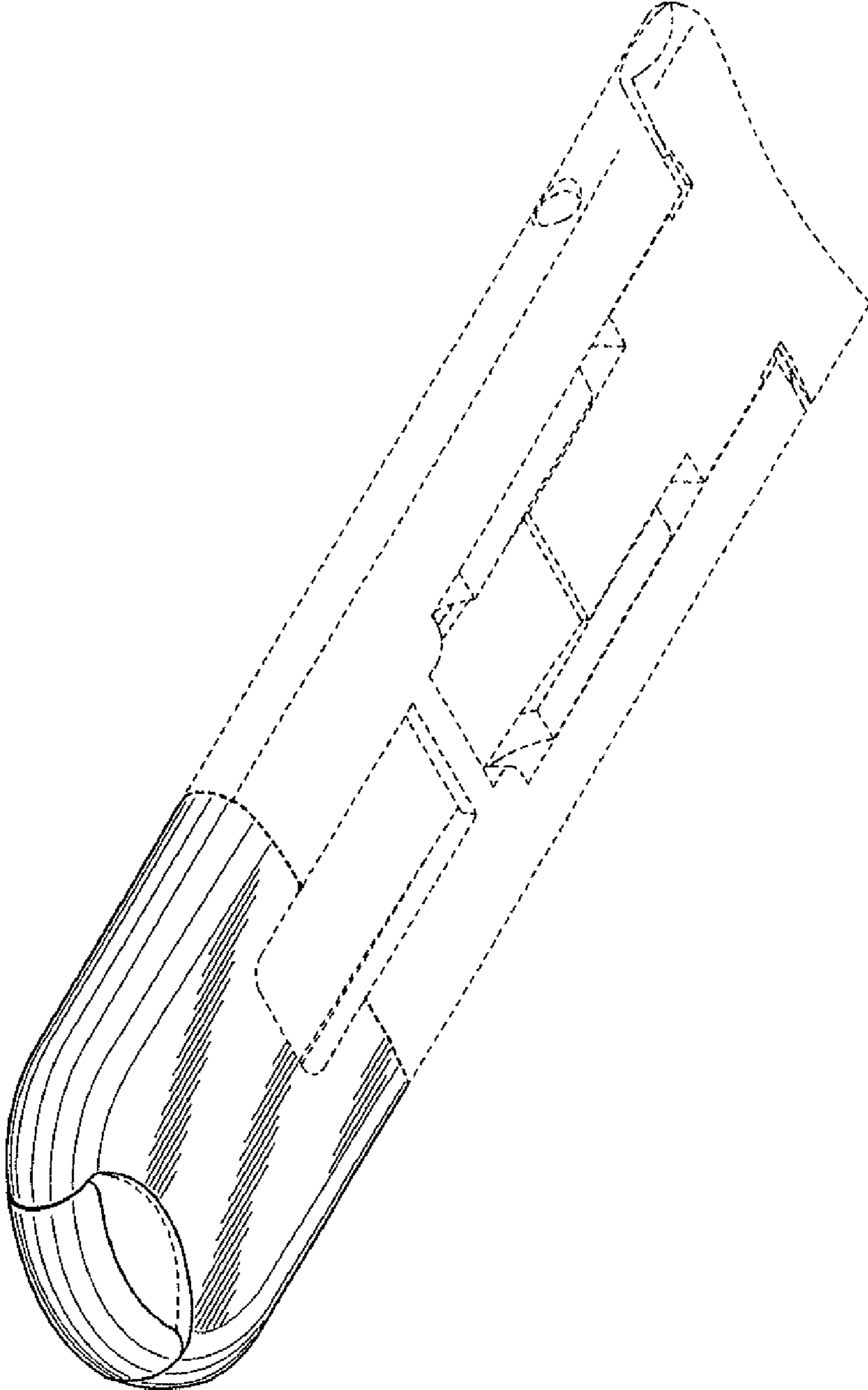


FIG. 3

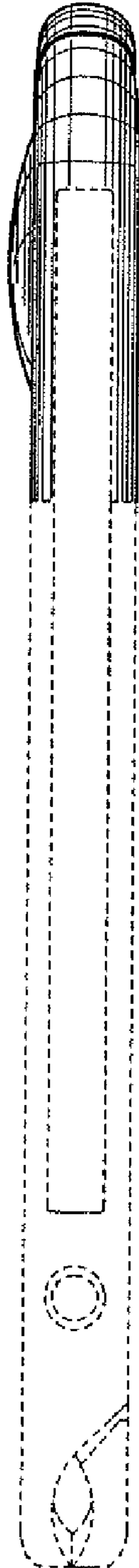


FIG. 4

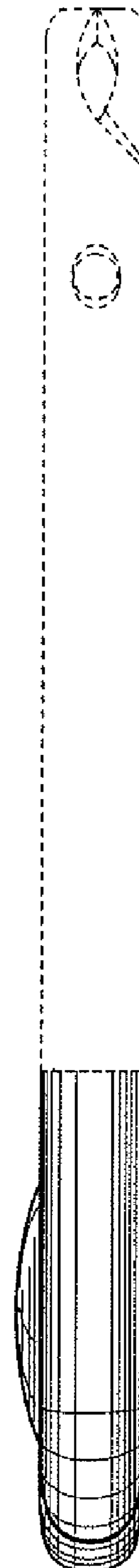


FIG. 5

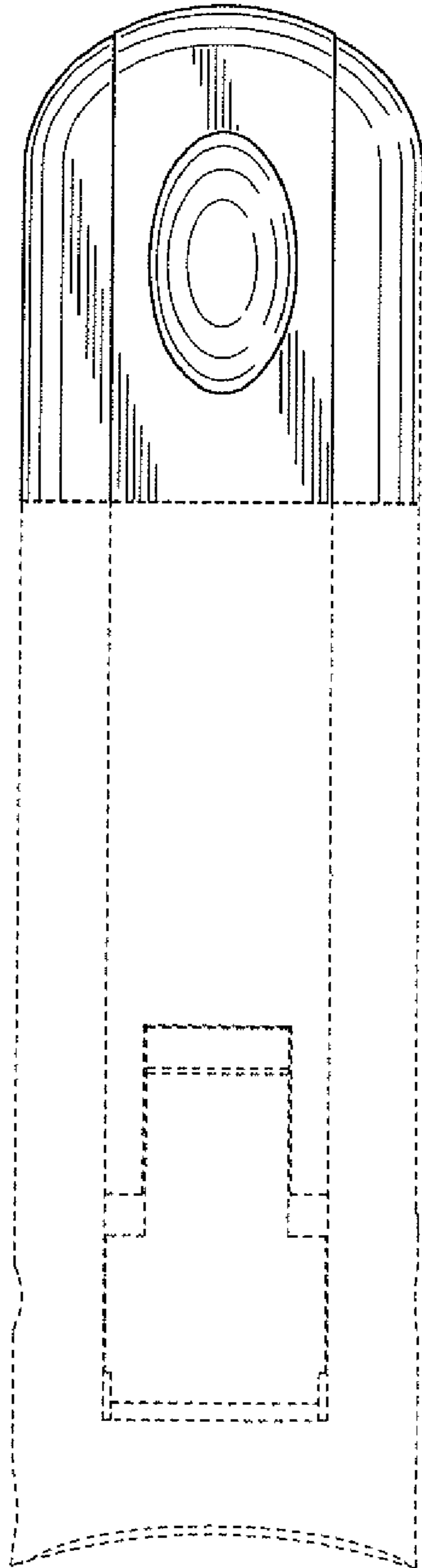


FIG. 6

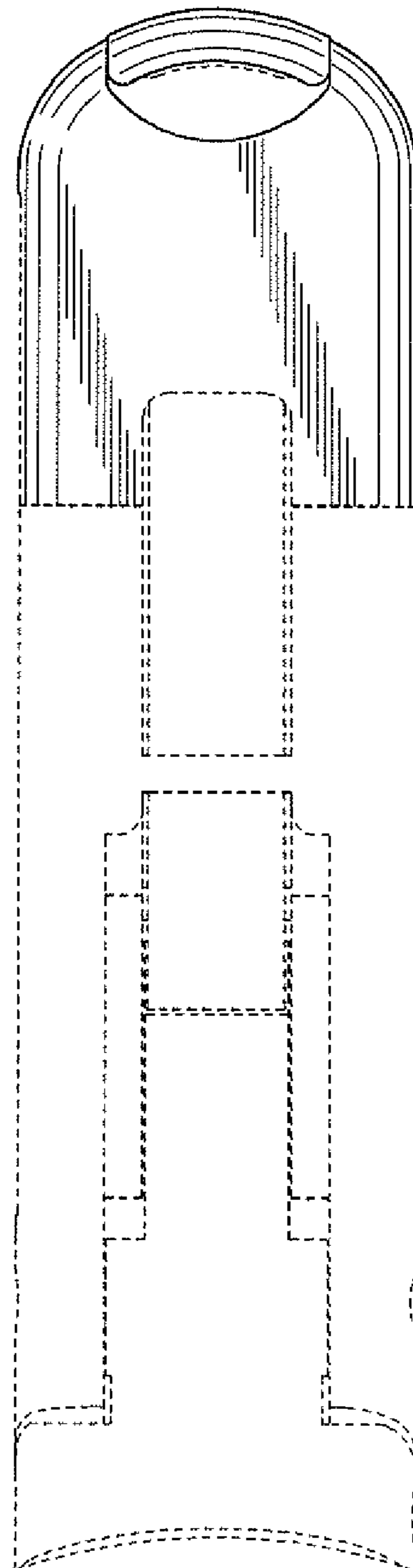


FIG. 7



FIG. 8

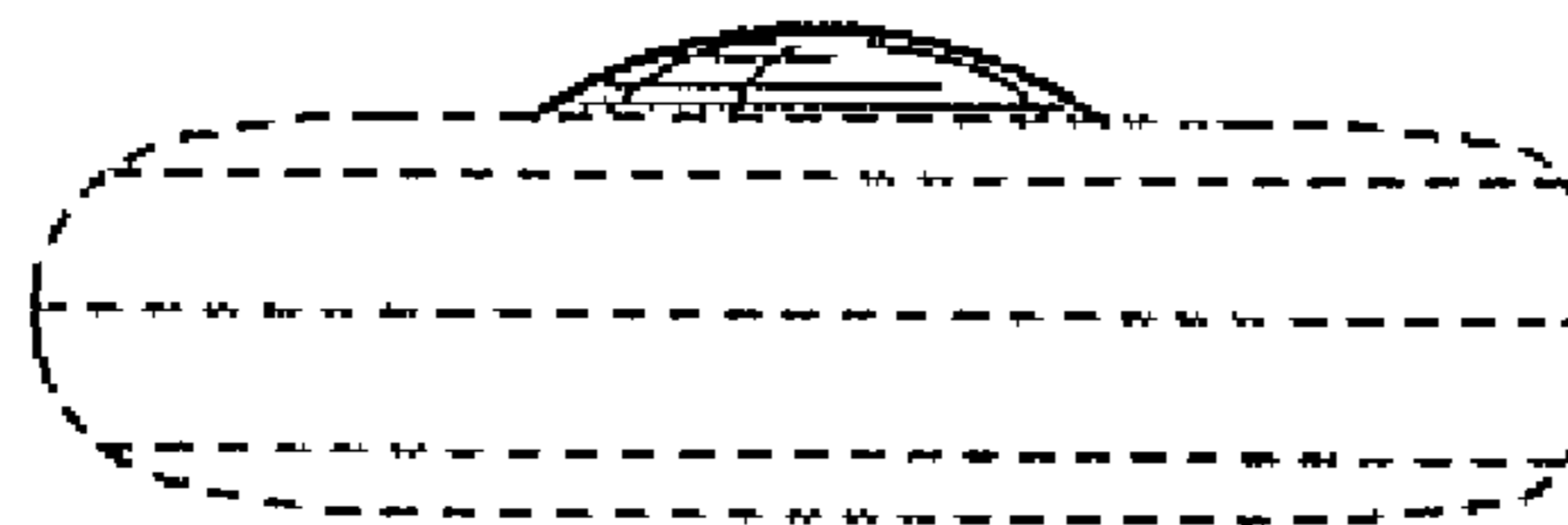


FIG. 9

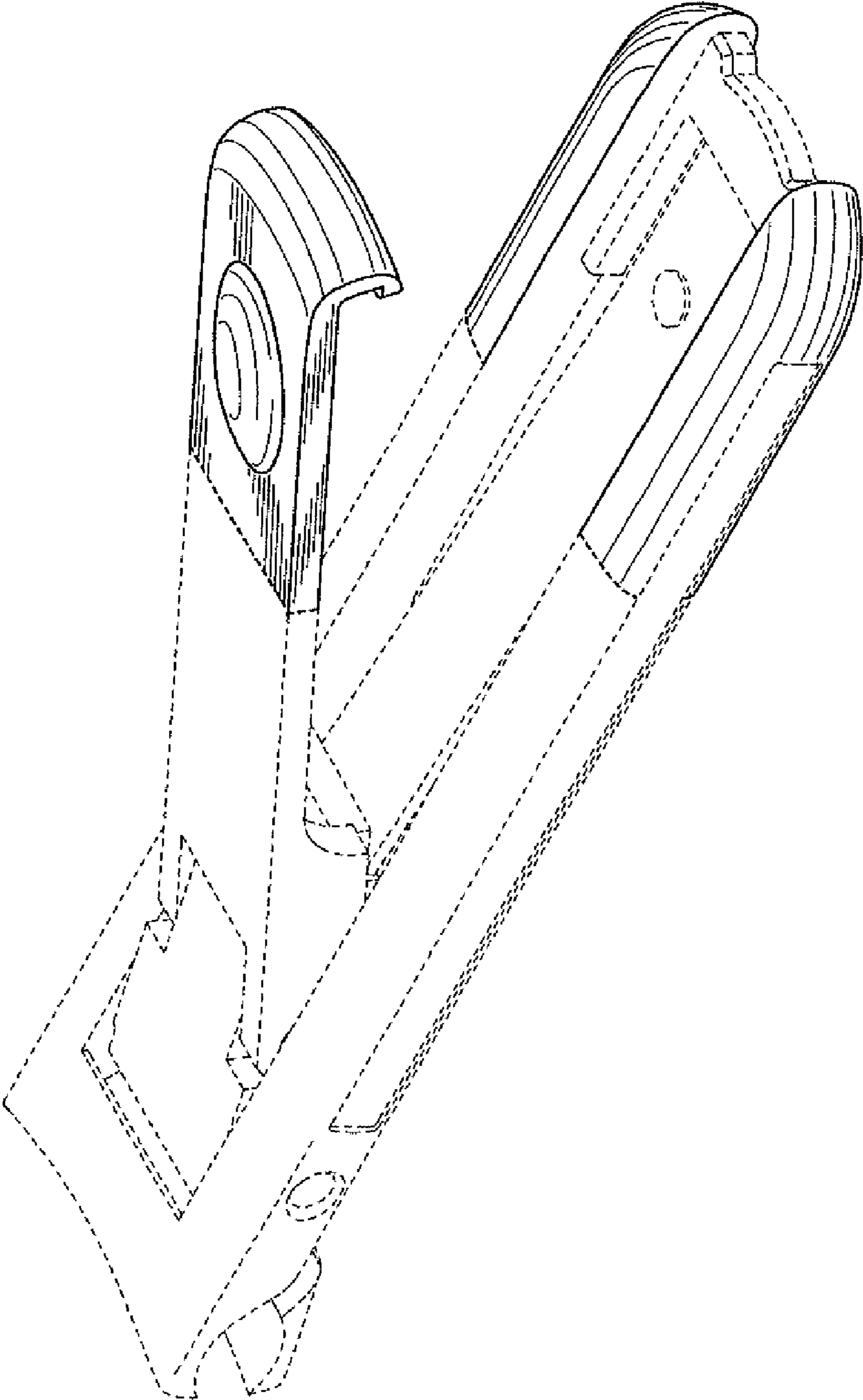


FIG. 10

