



US00D594153S

(12) **United States Design Patent**  
**Catron et al.**

(10) **Patent No.:** **US D594,153 S**  
(45) **Date of Patent:** **\*\* Jun. 9, 2009**

(54) **SMOKING WASTE CONTAINER**

(75) Inventors: **Mark A. Catron**, Winchester, VA (US);  
**Steven R. Jones**, Stephens City, VA  
(US); **Bartholomew J. Wellisley**,  
Winchester, VA (US)

(73) Assignee: **Rubbermaid Commercial Products**  
**LLC**, Winchester, VA (US)

(\*\*) Term: **14 Years**

(21) Appl. No.: **29/329,942**

(22) Filed: **Dec. 23, 2008**

**Related U.S. Application Data**

(62) Division of application No. 29/290,460, filed on Dec.  
7, 2007, now Pat. No. Des. 585,595, which is a division  
of application No. 29/267,030, filed on Oct. 4, 2006,  
now Pat. No. Des. 560,848.

(51) **LOC (9) Cl.** ..... **27-01**

(52) **U.S. Cl.** ..... **D27/123**

(58) **Field of Classification Search** ..... 131/231,  
131/235.1, 236, 237, 237.5, 238, 240.1–245,  
131/256; D27/102–105, 122–124; 220/576

See application file for complete search history.

(56) **References Cited**

**U.S. PATENT DOCUMENTS**

D515,730 S \* 2/2006 Weiss et al. .... D27/123  
D552,790 S \* 10/2007 Catron et al. .... D27/124

D560,848 S \* 1/2008 Catron et al. .... D27/133  
D566,328 S \* 4/2008 Catron ..... D27/124  
2005/0241655 A1 \* 11/2005 Goldberg ..... 131/231  
2006/0213530 A1 \* 9/2006 Venegas ..... 131/235.1  
2008/0029108 A1 \* 2/2008 Catron et al. .... 131/231

\* cited by examiner

*Primary Examiner*—Jennifer Rivard

(74) *Attorney, Agent, or Firm*—Foley & Lardner LLP

(57) **CLAIM**

We claim the ornamental design for a smoking waste con-  
tainer, as shown and described.

**DESCRIPTION**

FIG. 1 is a top frontal perspective view of a smoking waste  
container according to our new design;

FIG. 2 is a front view of the smoking waste container shown  
in FIG. 1;

FIG. 3 is a back view of the smoking waste container shown  
in FIG. 1;

FIG. 4 is a left side view of the smoking waste container  
shown in FIG. 1;

FIG. 5 is a right side view of the smoking waste container  
shown in FIG. 1;

FIG. 6 is a top view of the smoking waste container shown in  
FIG. 1; and,

FIG. 7 is a bottom view of the smoking waste container shown  
in FIG. 1.

**1 Claim, 6 Drawing Sheets**

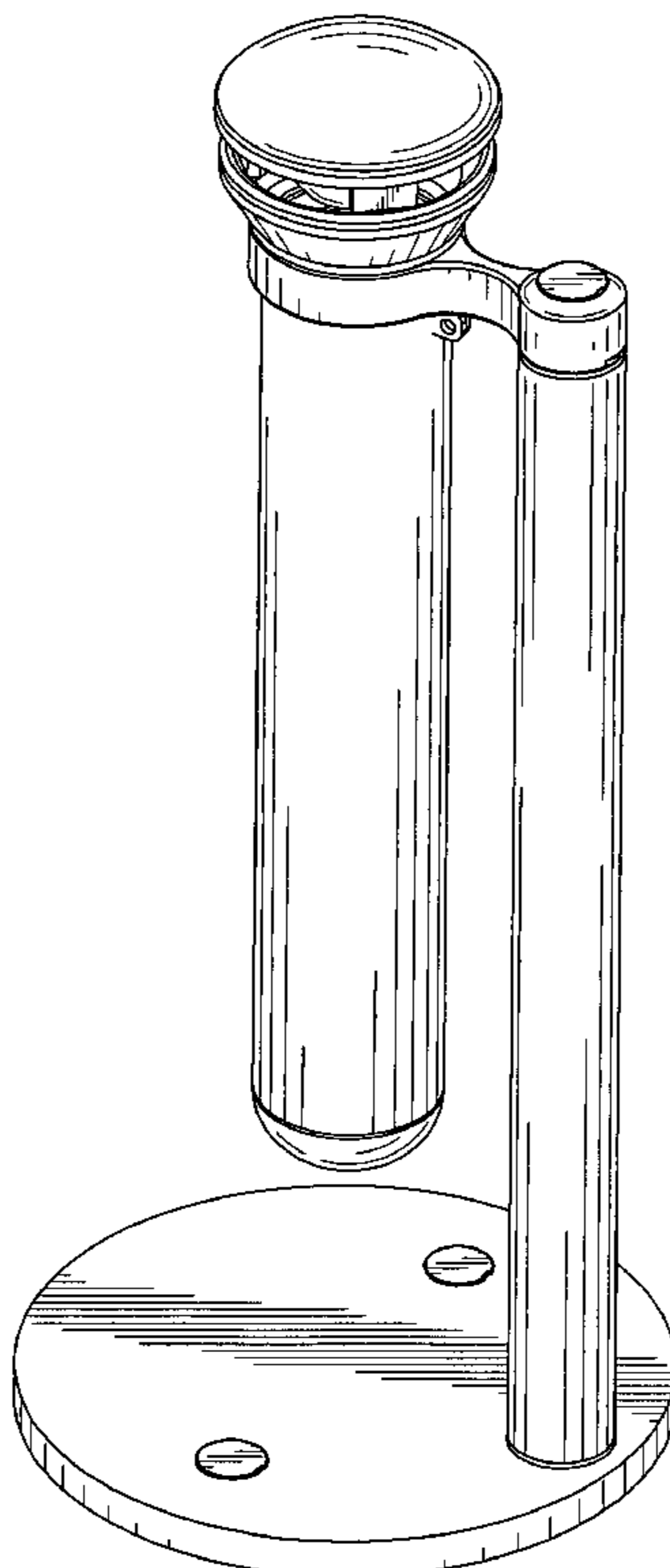


Fig. 1

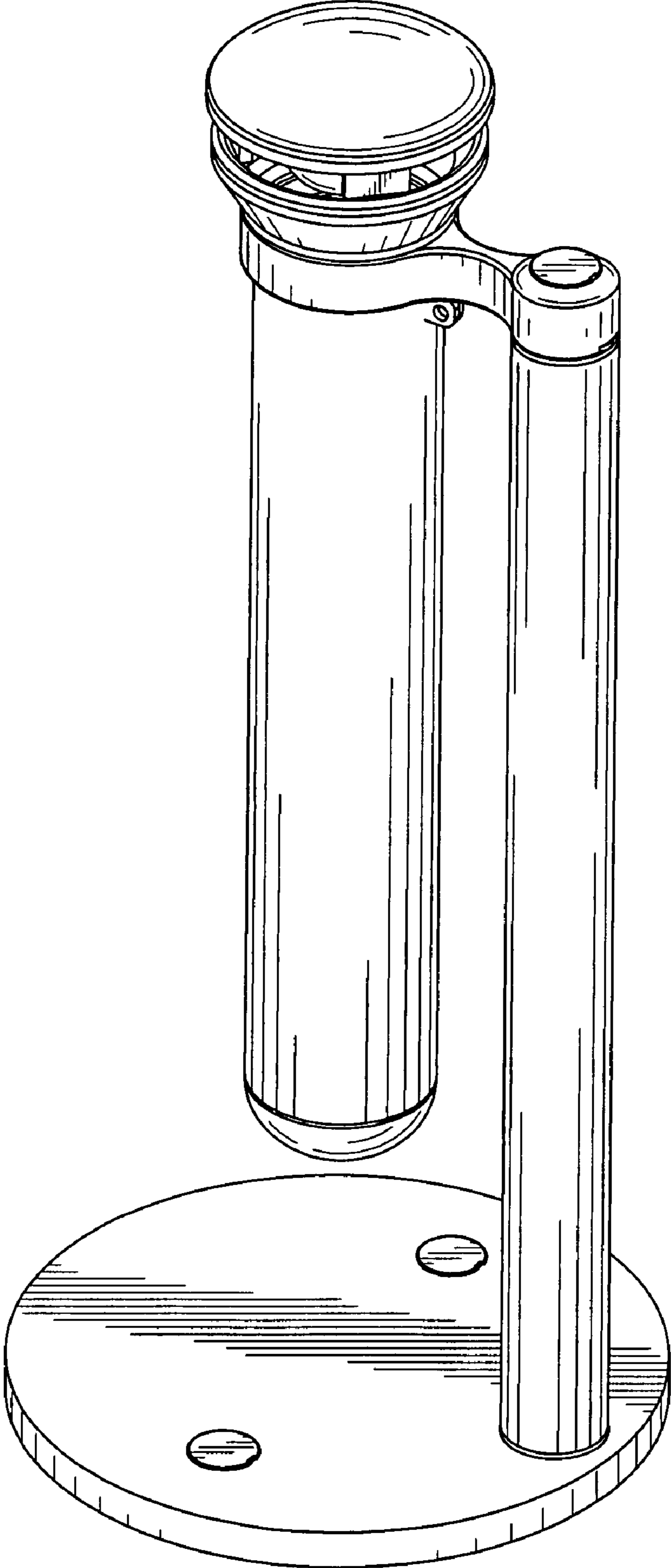


Fig. 2

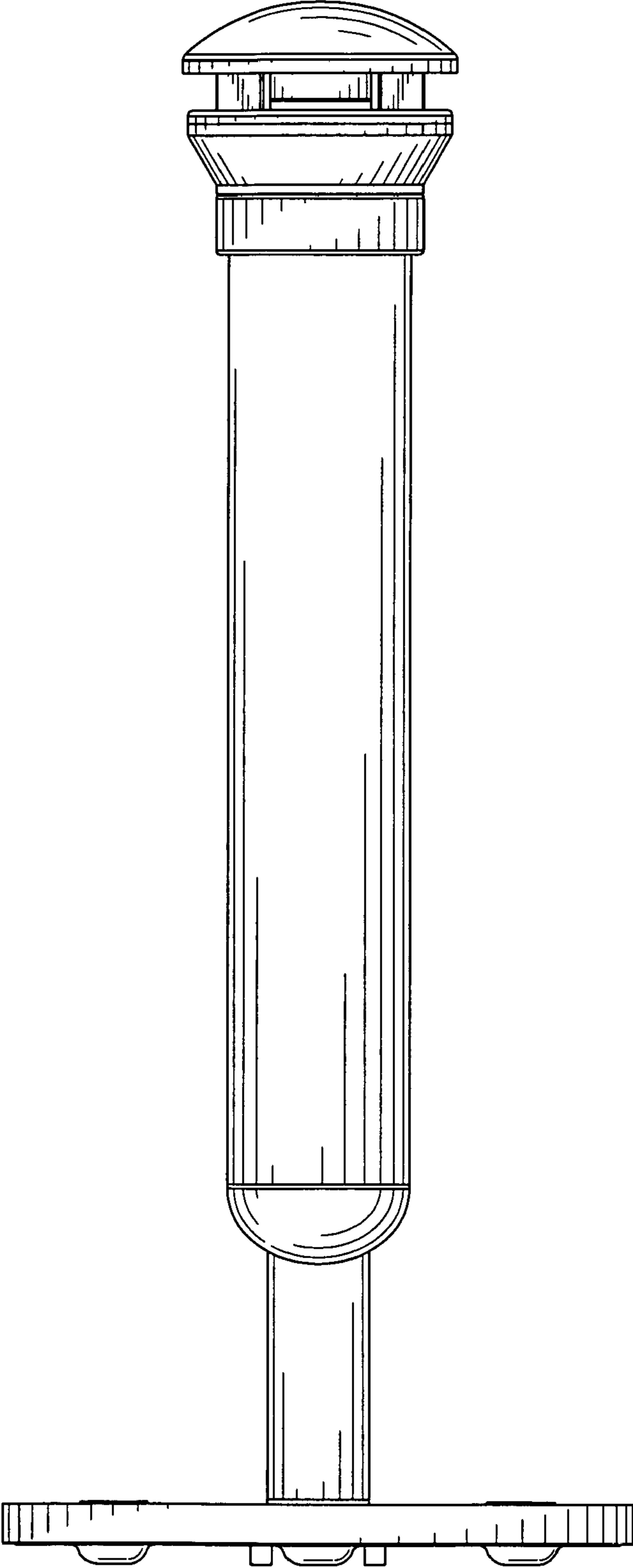


Fig. 3

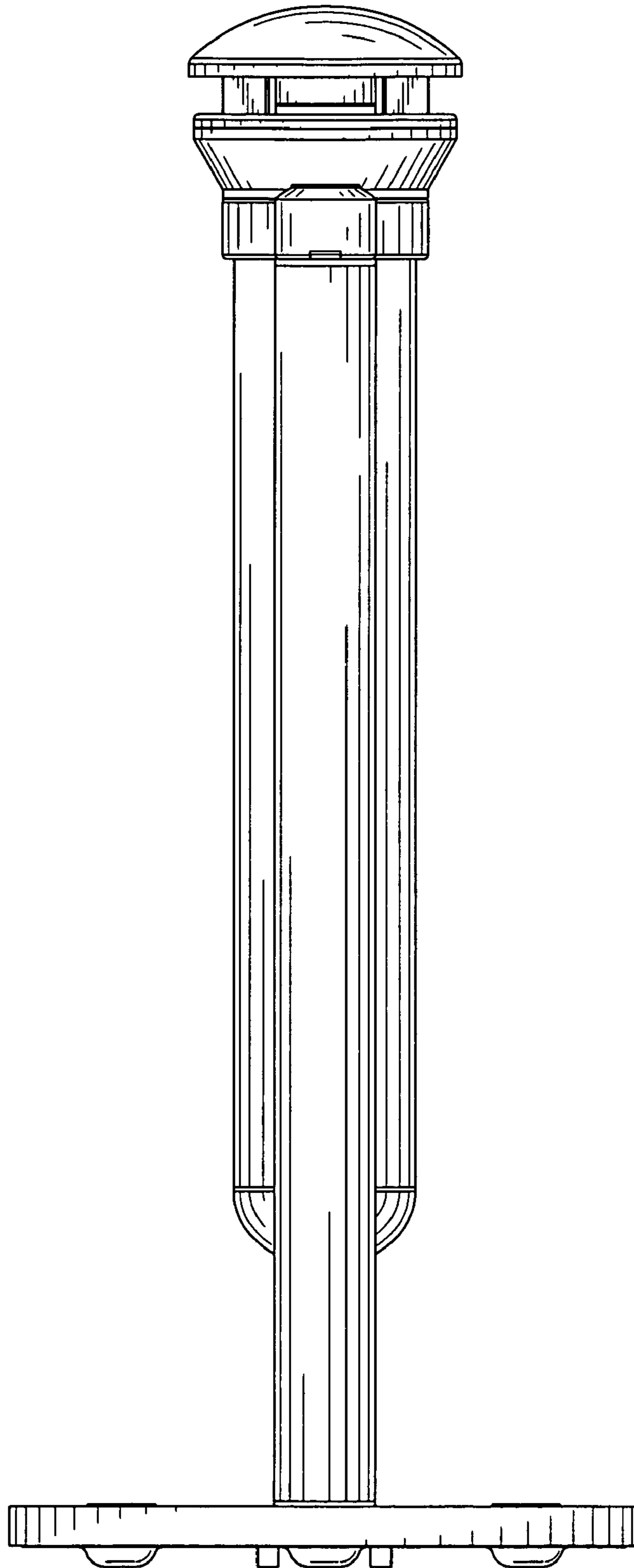


Fig. 4

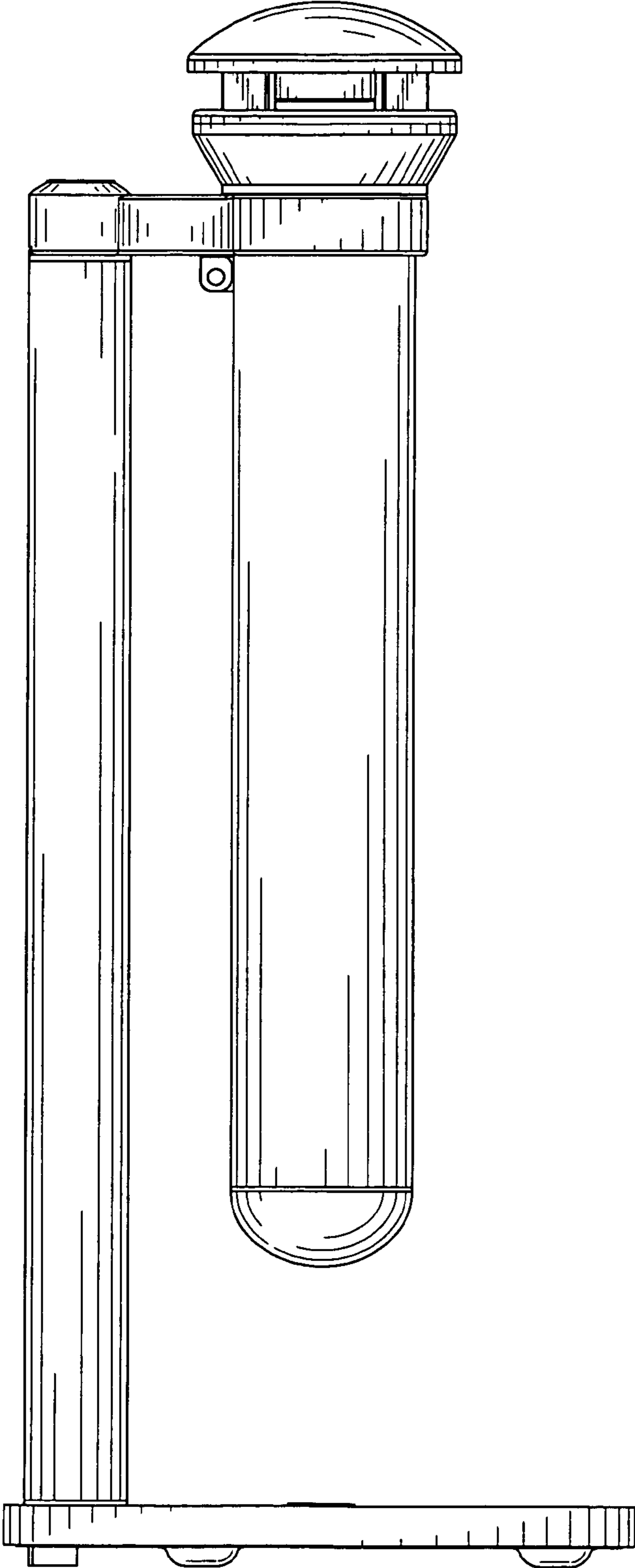


Fig. 5

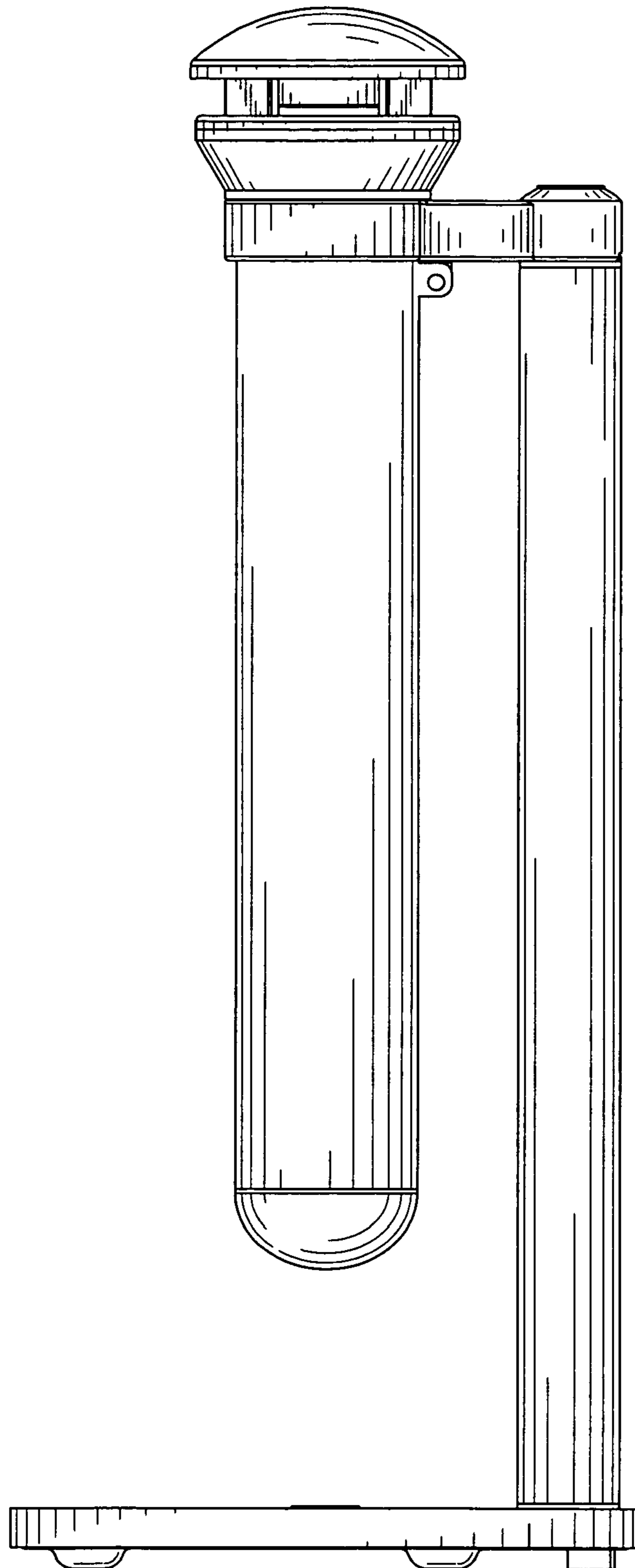


Fig. 6

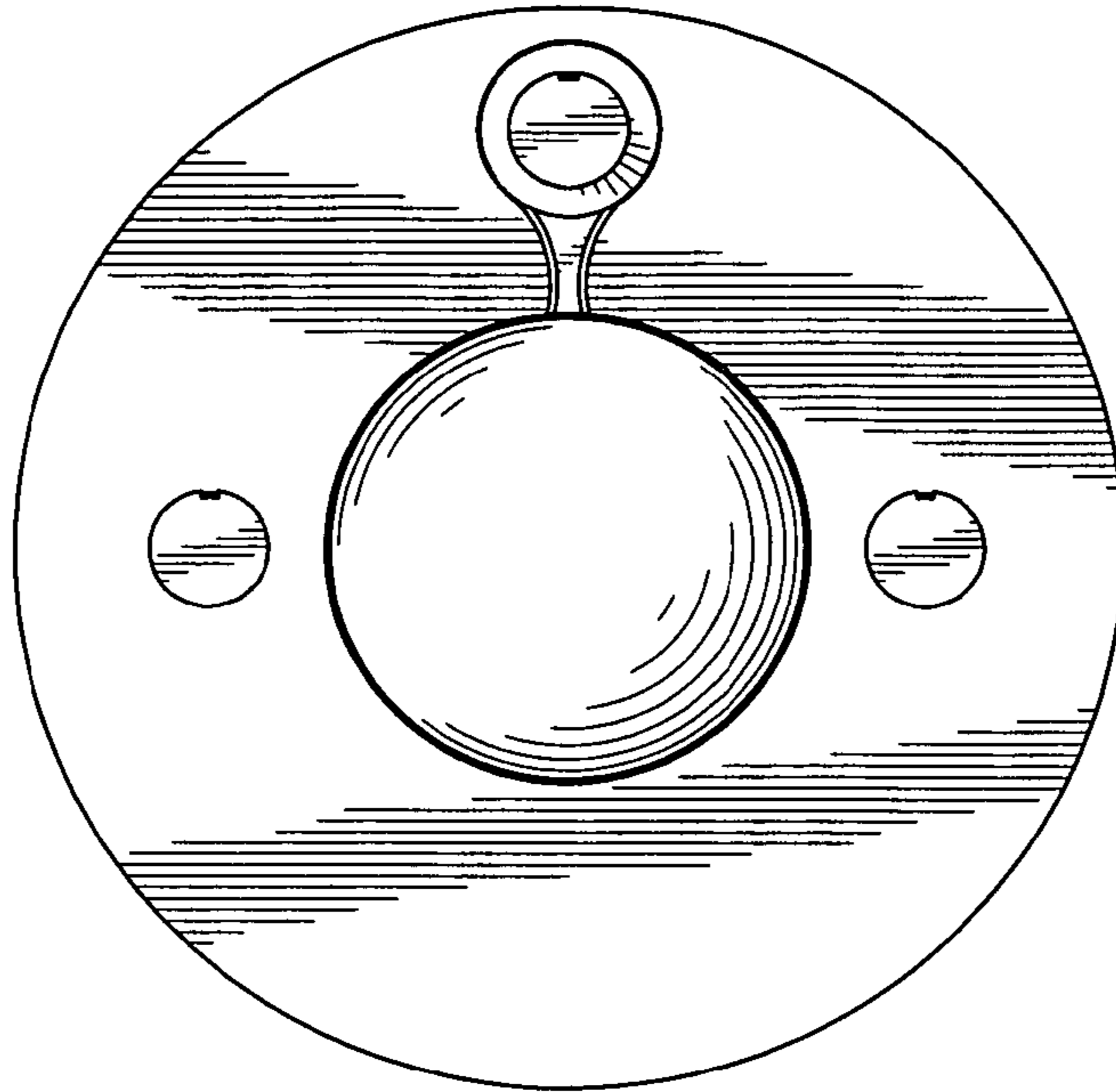


Fig. 7

