



US00D594149S

(12) **United States Design Patent**
Chan

(10) **Patent No.:** **US D594,149 S**
(45) **Date of Patent:** **** Jun. 9, 2009**

(54) **CLIP-ON BOOKLIGHT**

(75) Inventor: **Wai Hong Chan**, New Territories (HK)

(73) Assignee: **Sunrich Manufactory Ltd.**, Tuen, N.T. (HK)

(**) Term: **14 Years**

(21) Appl. No.: **29/318,159**

(22) Filed: **May 14, 2008**

(51) **LOC (9) Cl.** **26-05**

(52) **U.S. Cl.** **D26/60**

(58) **Field of Classification Search** D26/24,
D26/37, 43, 44, 51, 56, 60-66, 71, 72, 85,
D26/93, 107, 118, 138; 362/410, 413, 414,
362/419, 427, 285, 287, 282, 277, 275, 274,
362/271, 270, 269, 431, 401, 402, 251; D13/110,
D13/133, 139.2; D16/135; D10/106
See application file for complete search history.

(56) **References Cited**

U.S. PATENT DOCUMENTS

D407,517 S *	3/1999	Zeller	D26/60
D507,673 S *	7/2005	Martin	D26/60
D507,840 S *	7/2005	Chan	D26/60
D509,012 S *	8/2005	Chan	D26/60
D524,474 S *	7/2006	Lo et al.	D26/60
D542,451 S *	5/2007	Chan	D26/60
7,309,137 B2 *	12/2007	Chan	362/184
2004/0114373 A1 *	6/2004	Lin	362/352
2007/0177373 A1 *	8/2007	Zeller	362/109

* cited by examiner

Primary Examiner—Cathron C Brooks

Assistant Examiner—Barbara Fox

(74) *Attorney, Agent, or Firm*—Lackenbach Siegel, LLP;
Andrew F. Young, Esq.

(57) **CLAIM**

The ornamental design for the clip-on booklight, as shown and described.

DESCRIPTION

FIG. 1 is a perspective view of my design of a clip-on booklight;

FIG. 2 is a left side elevation view of my design of a clip-on booklight;

FIG. 3 is a right side elevation view of my design of a clip-on booklight;

FIG. 4 is a front side elevation view of my design of a clip-on booklight;

FIG. 5 is a back side elevation view of my design of a clip-on booklight;

FIG. 6 is a top view of my design of a clip-on booklight;

FIG. 7 is a bottom view of my design of a clip-on booklight;

FIG. 8 is a perspective view of my design of a clip-on booklight in the open and extended position;

FIG. 9 is a left side elevation view of my design of a clip-on booklight;

FIG. 10 is a right side elevation view of my design of a clip-on booklight in the open and extended position;

FIG. 11 is a front side elevation view of my design of a clip-on booklight in the open and extended position;

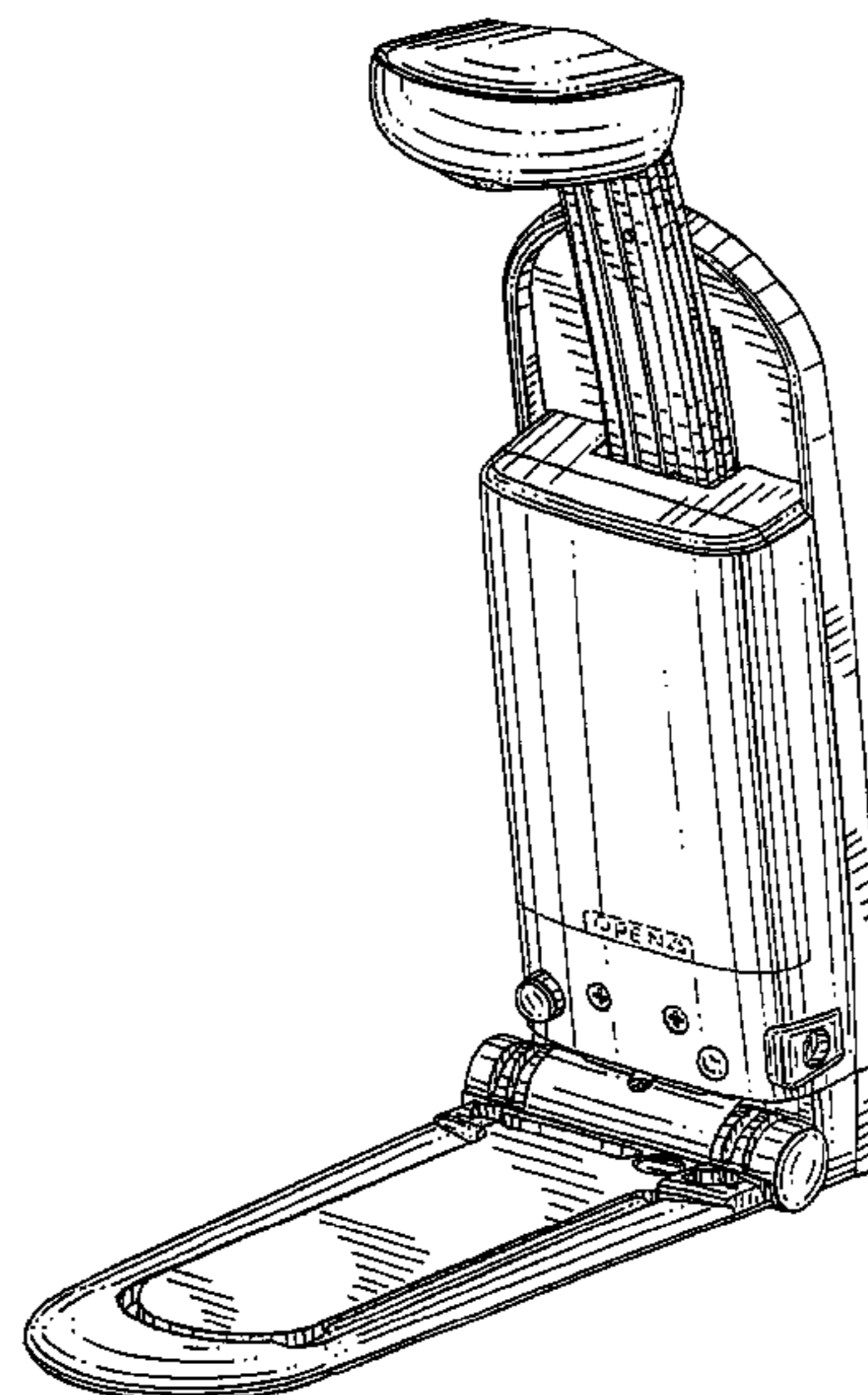
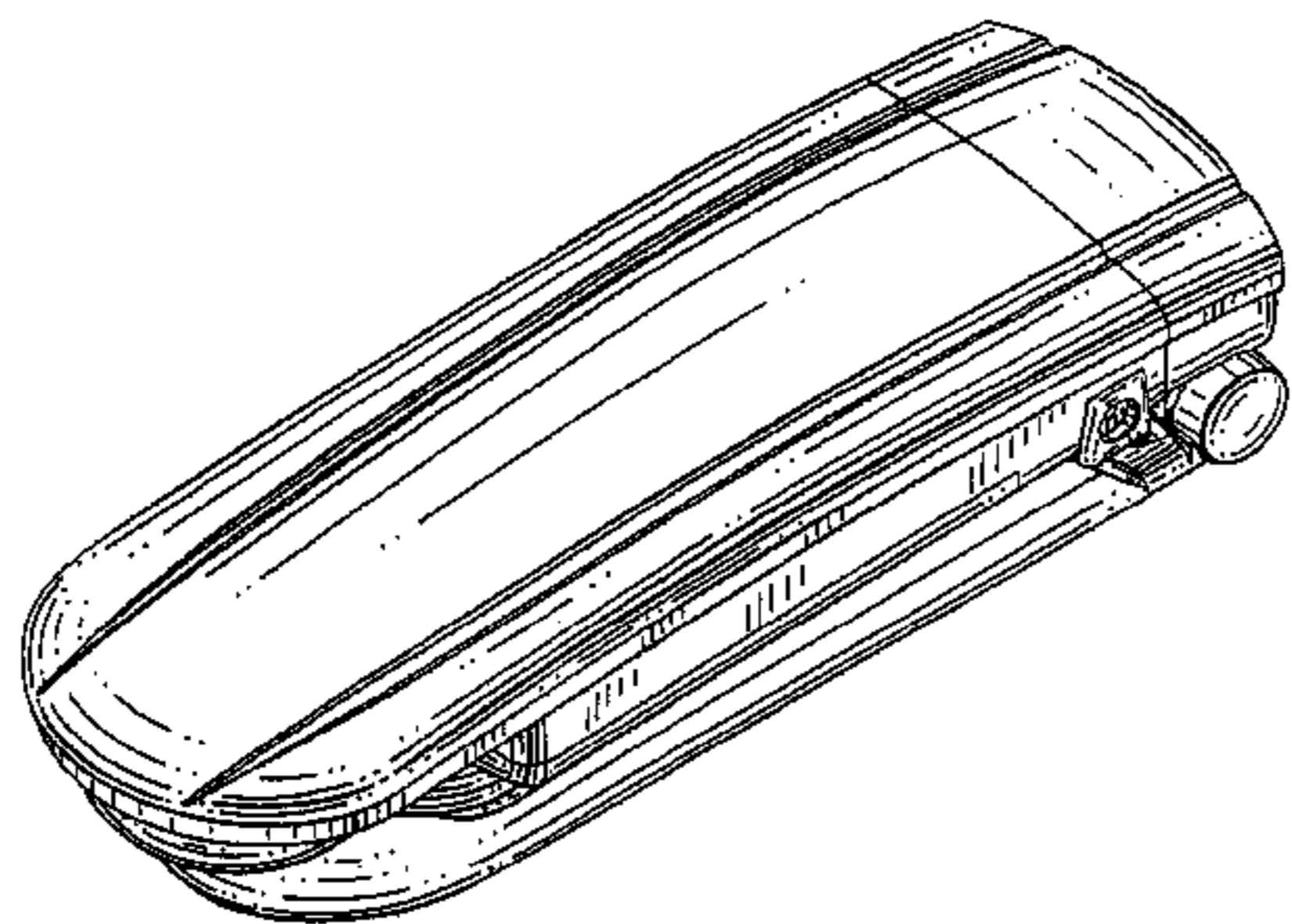
FIG. 12 is a back side elevation view of my design of a clip-on booklight in the open and extended position;

FIG. 13 is a top view of my design of a clip-on booklight in the open and extended position; and,

FIG. 14 is a bottom view of my design of a clip-on booklight in the open and extended position.

The portion of the clip-on book light shown in broken lines forms no part of the claimed design.

1 Claim, 14 Drawing Sheets



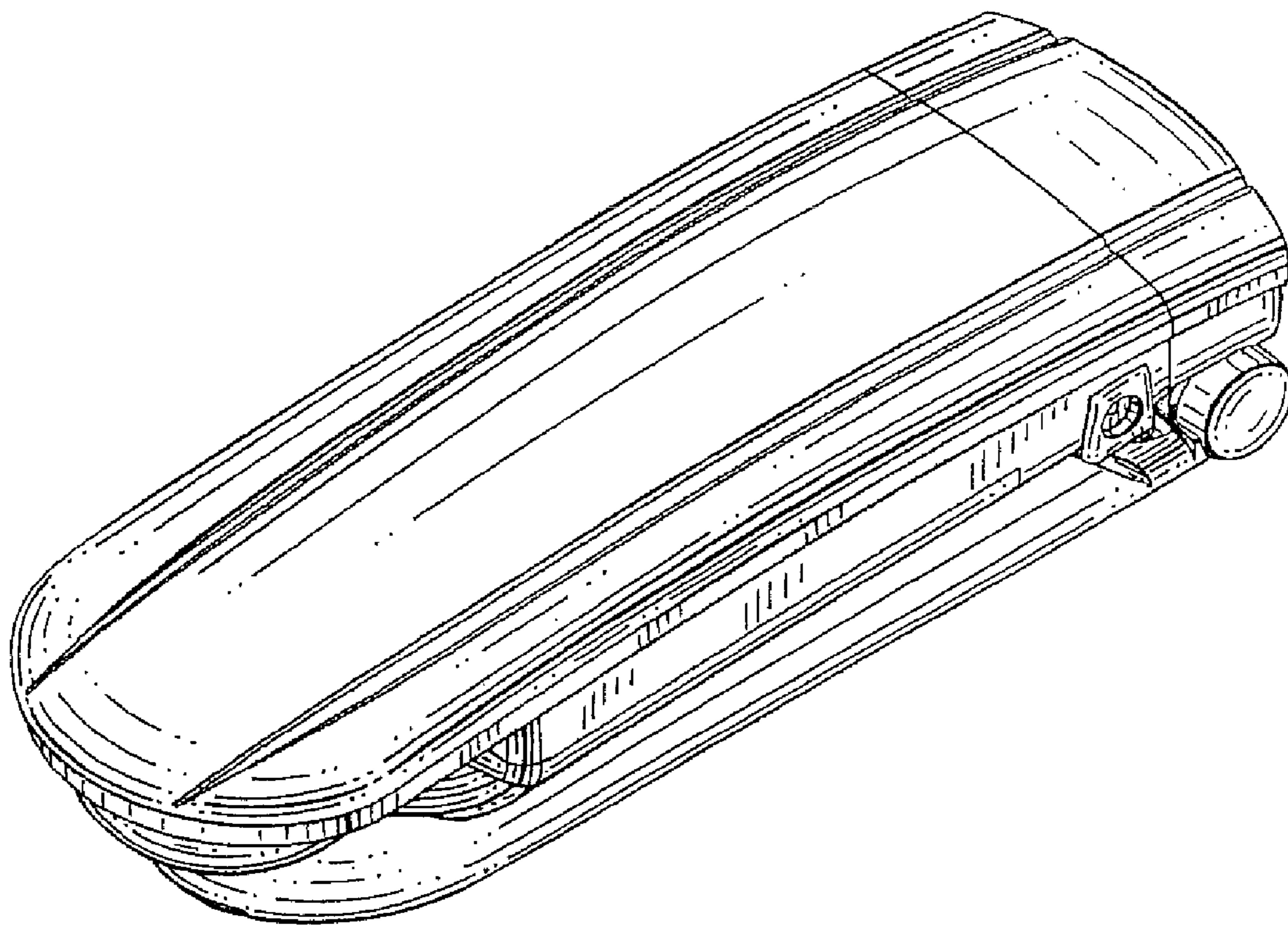


FIG. 1

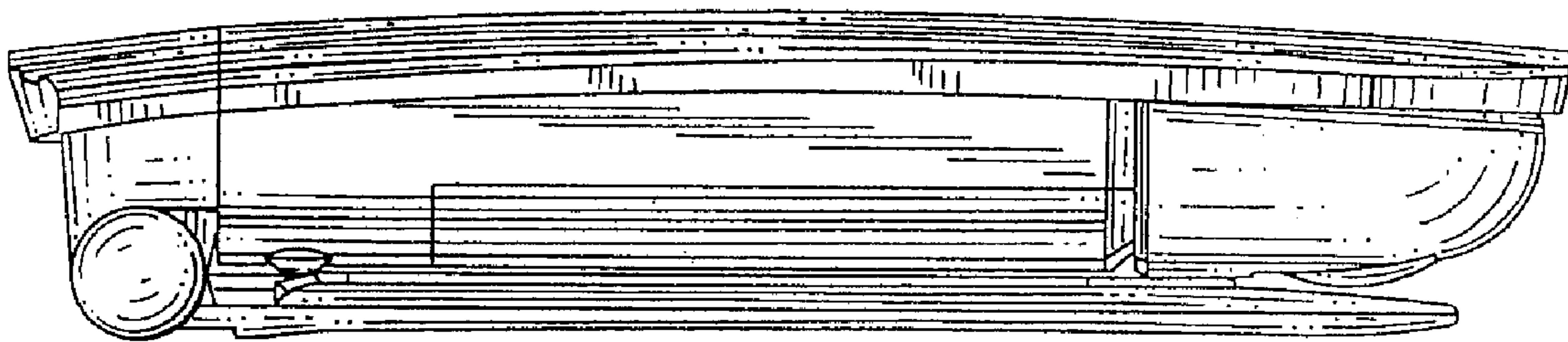


FIG. 2

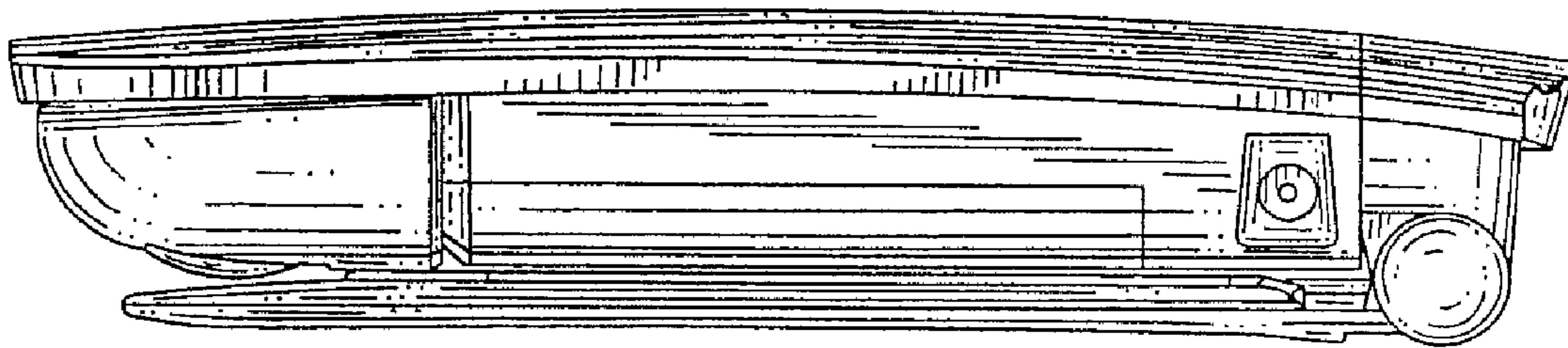


FIG. 3

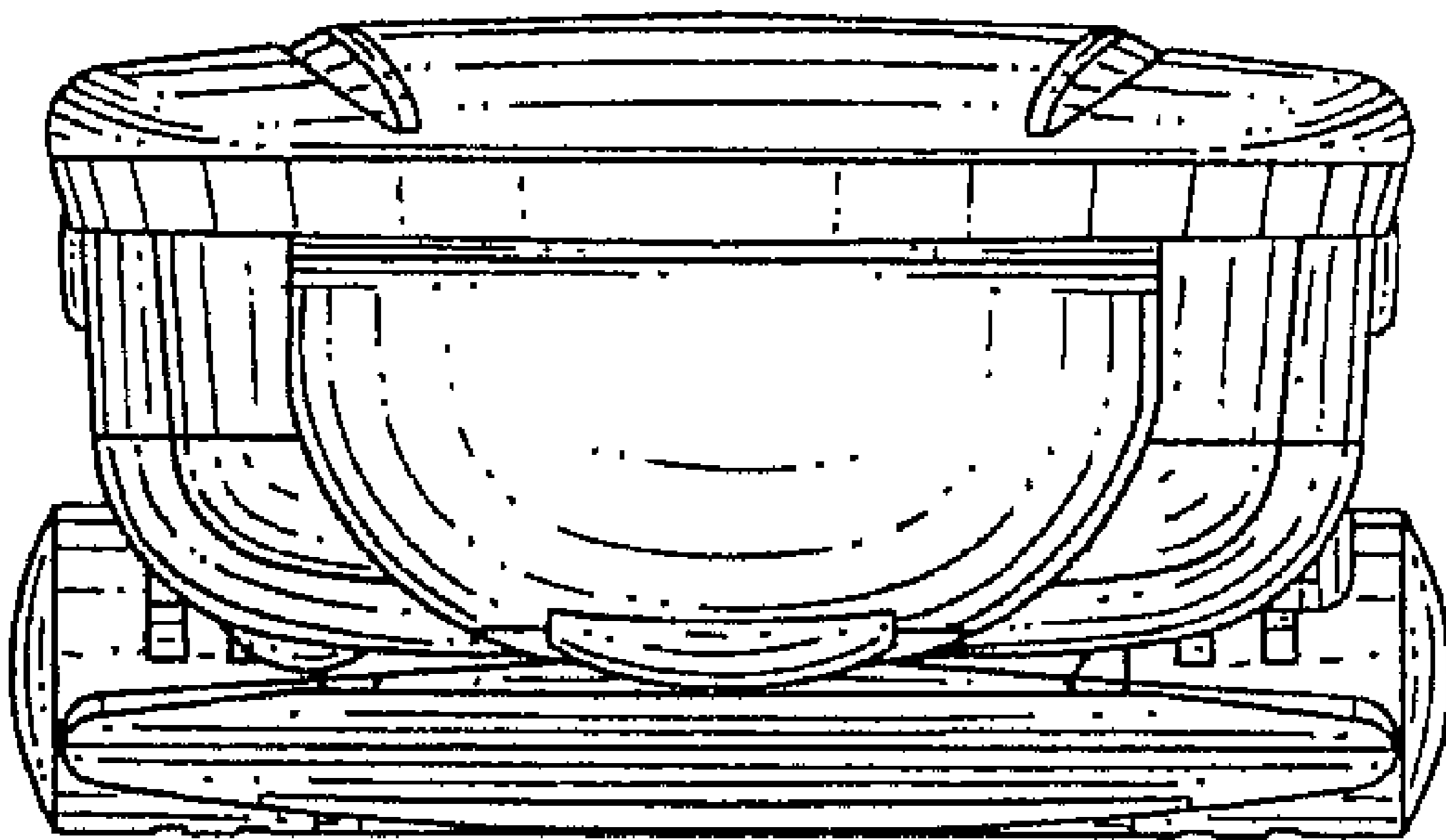


FIG. 4

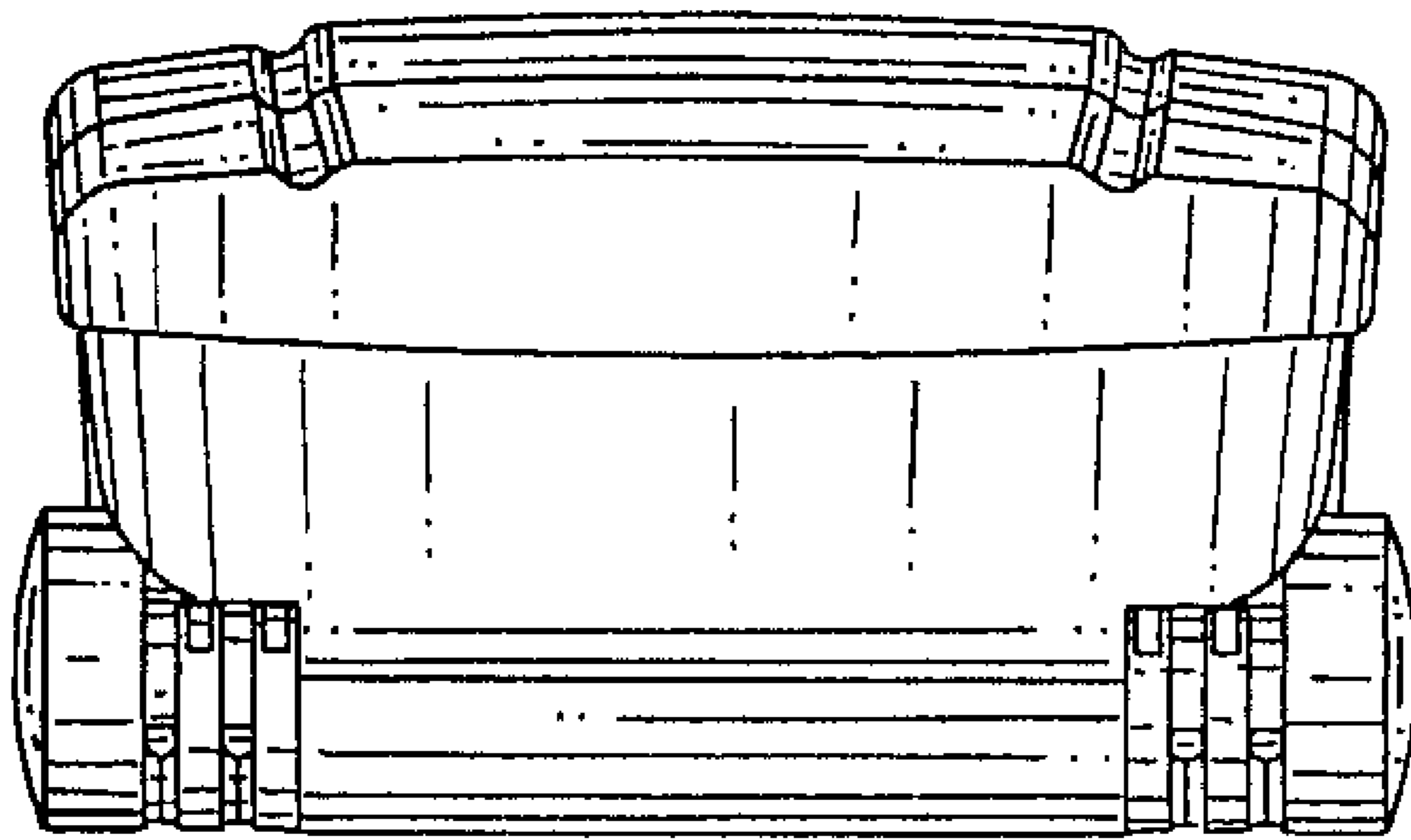


FIG. 5

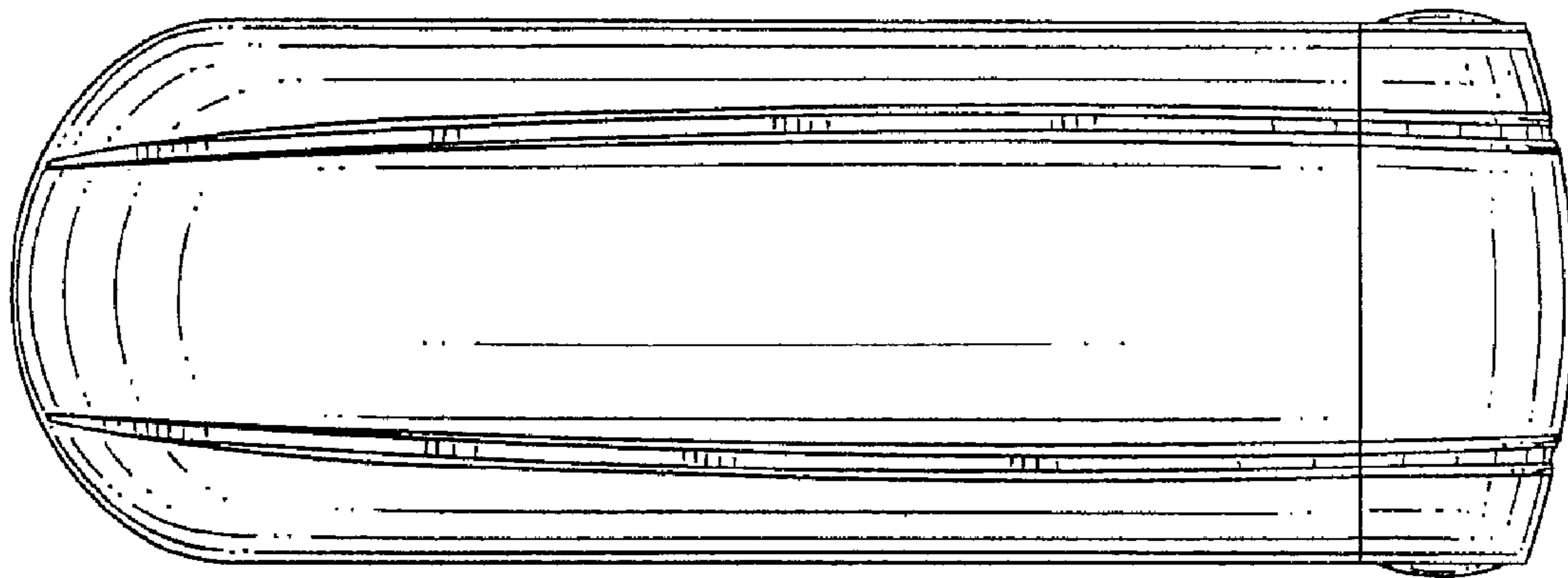


FIG. 6

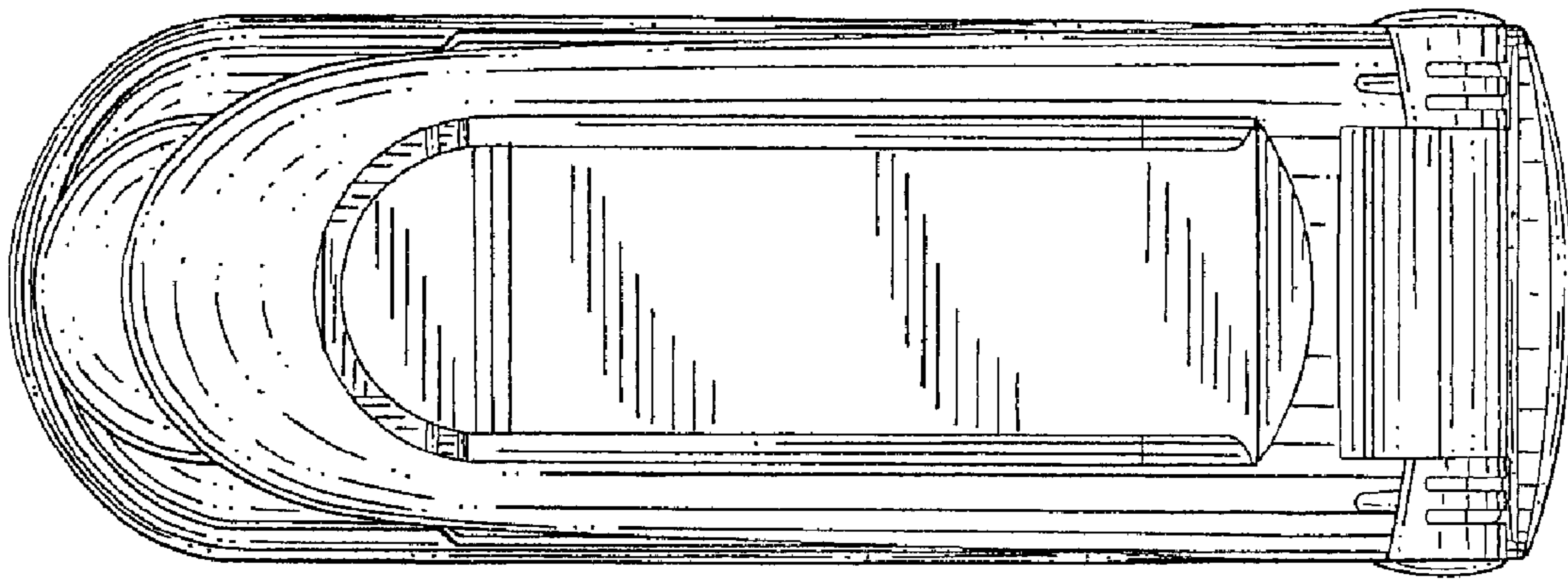


FIG. 7

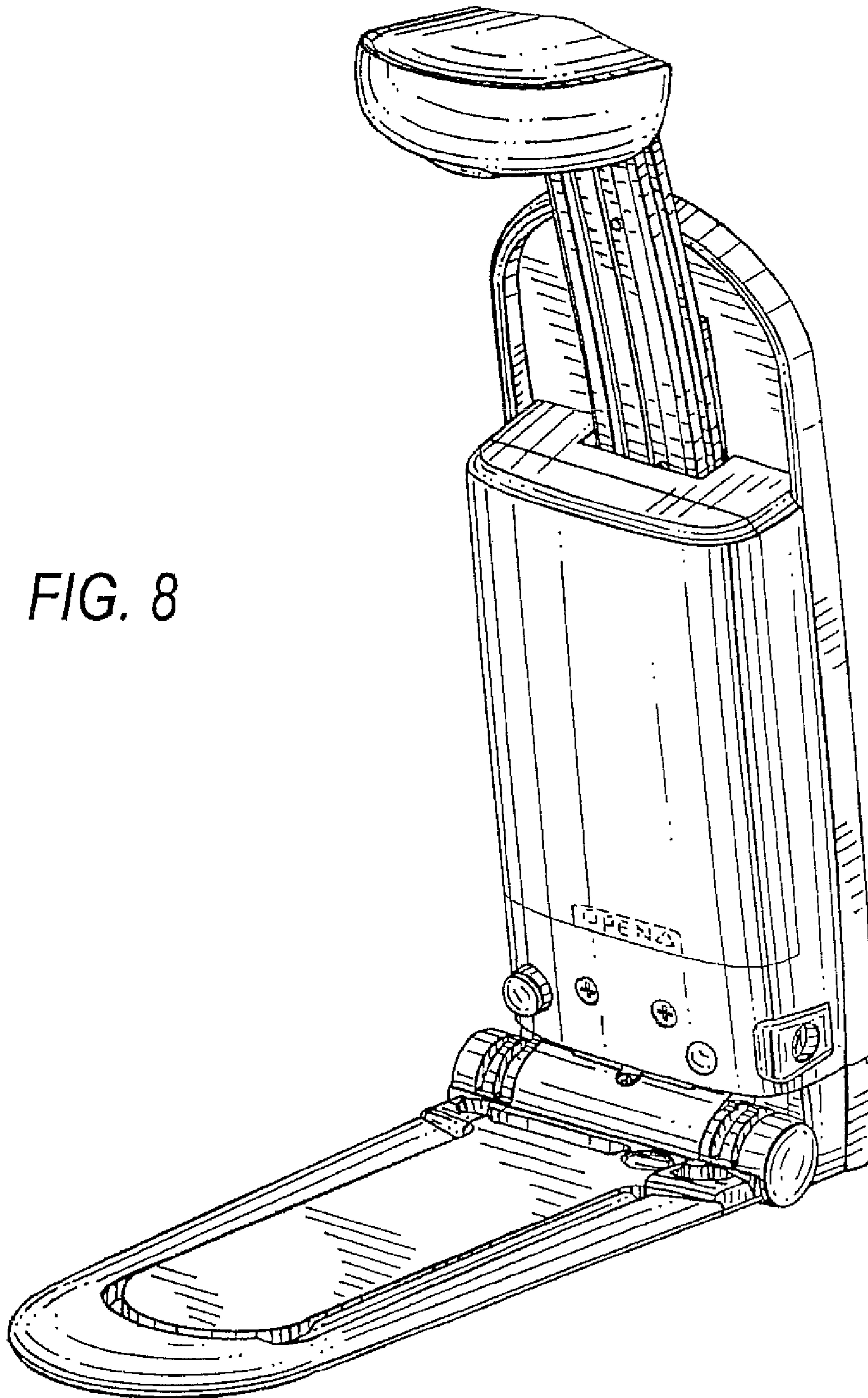


FIG. 8

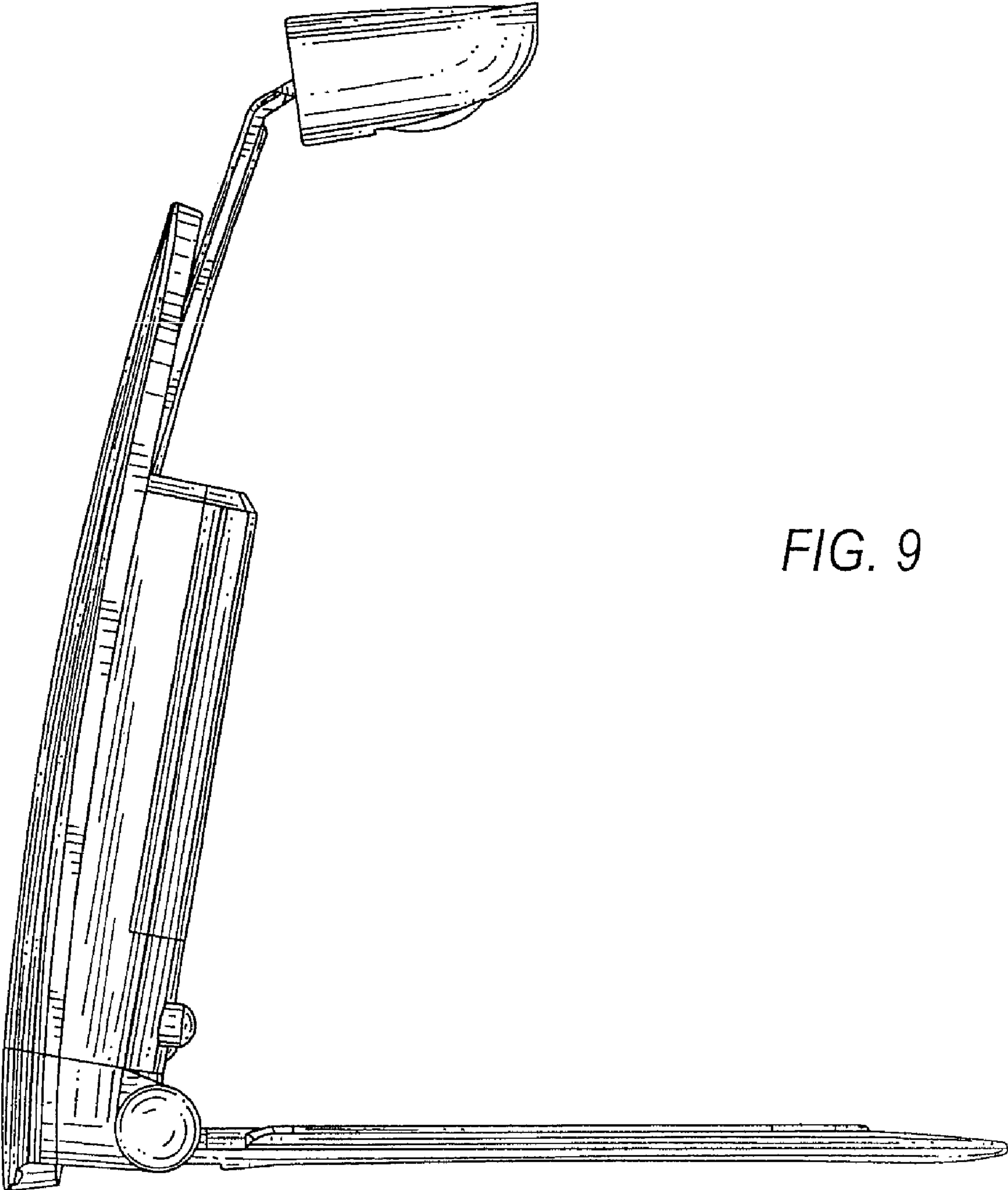


FIG. 9

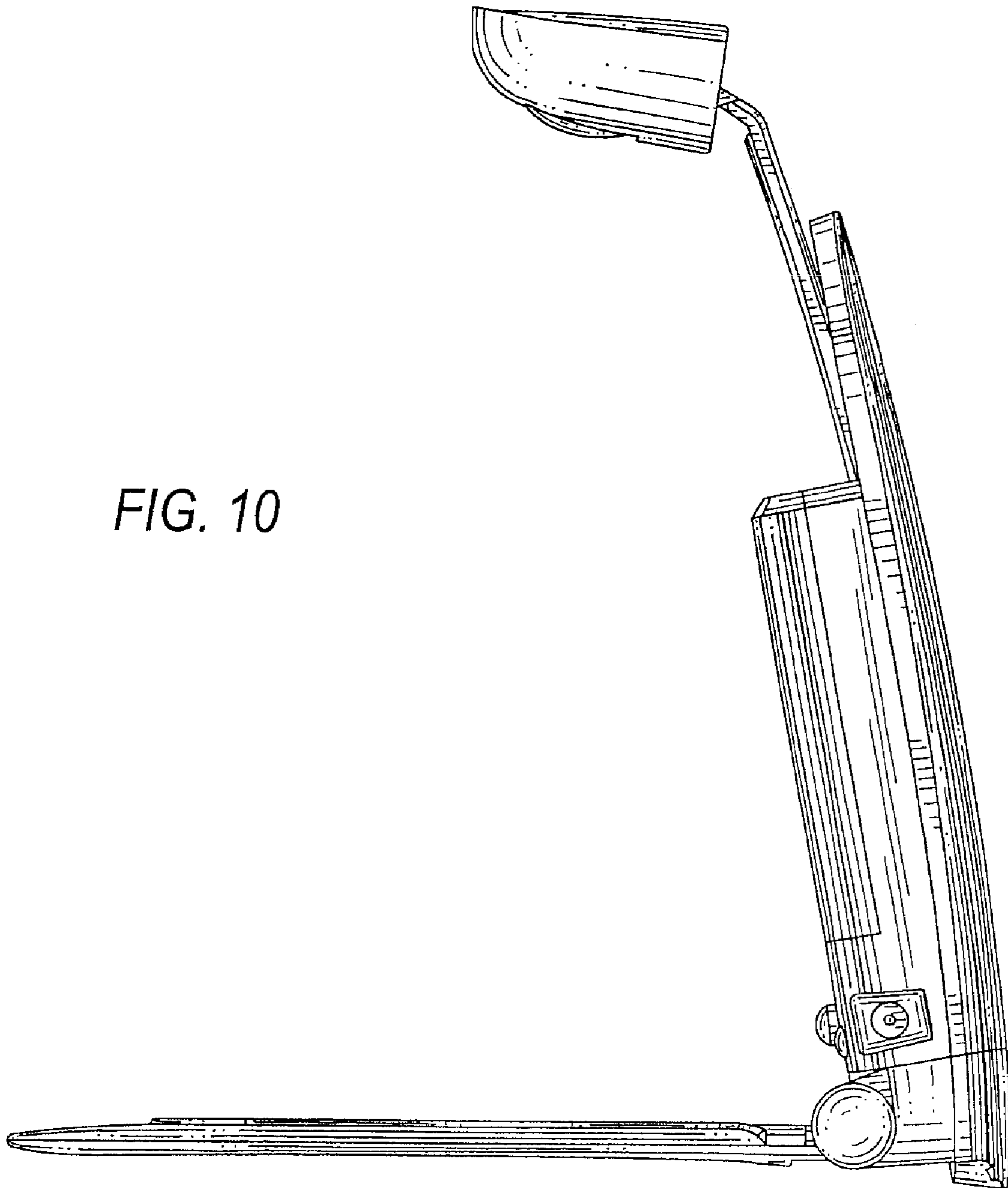


FIG. 10

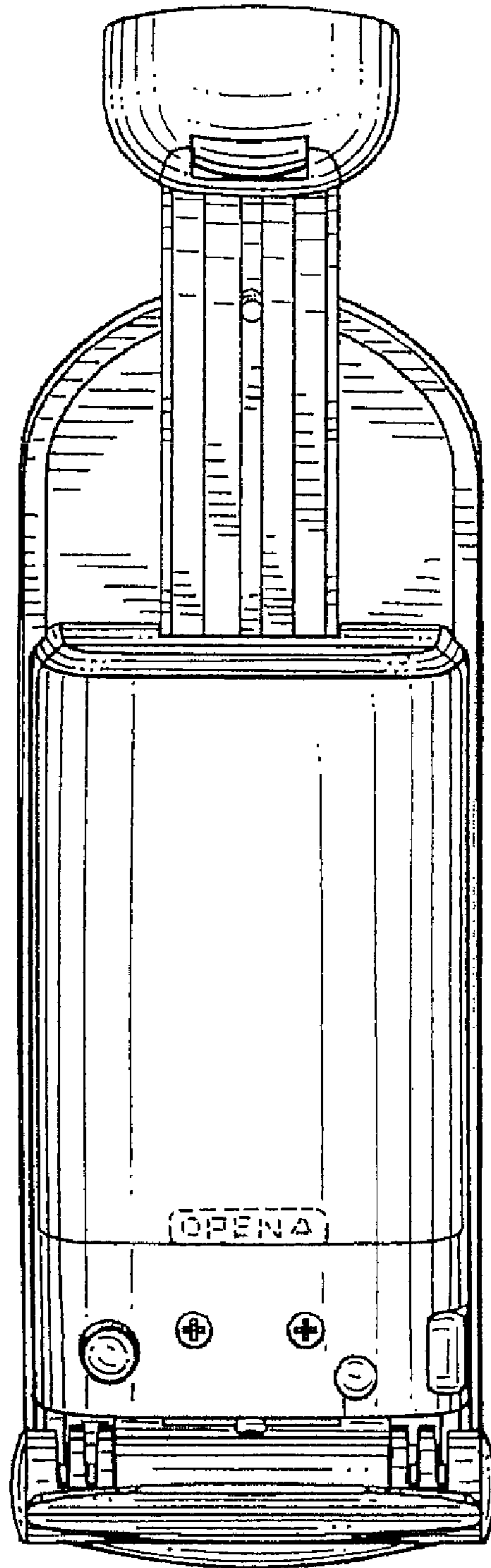


FIG. 11

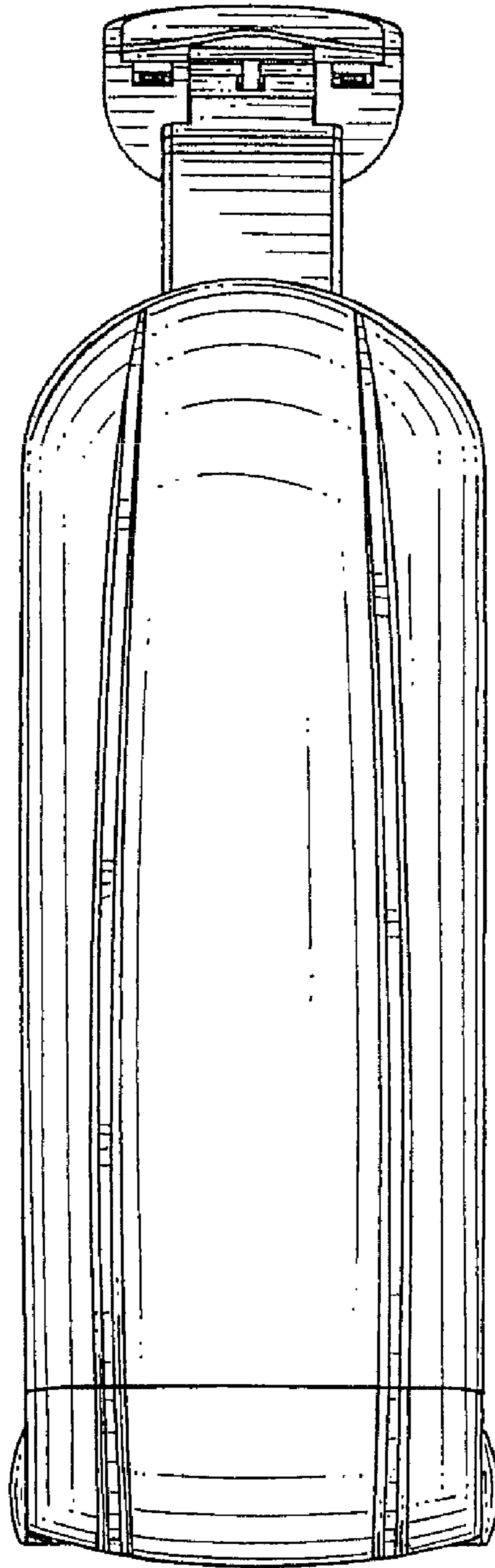


FIG. 12

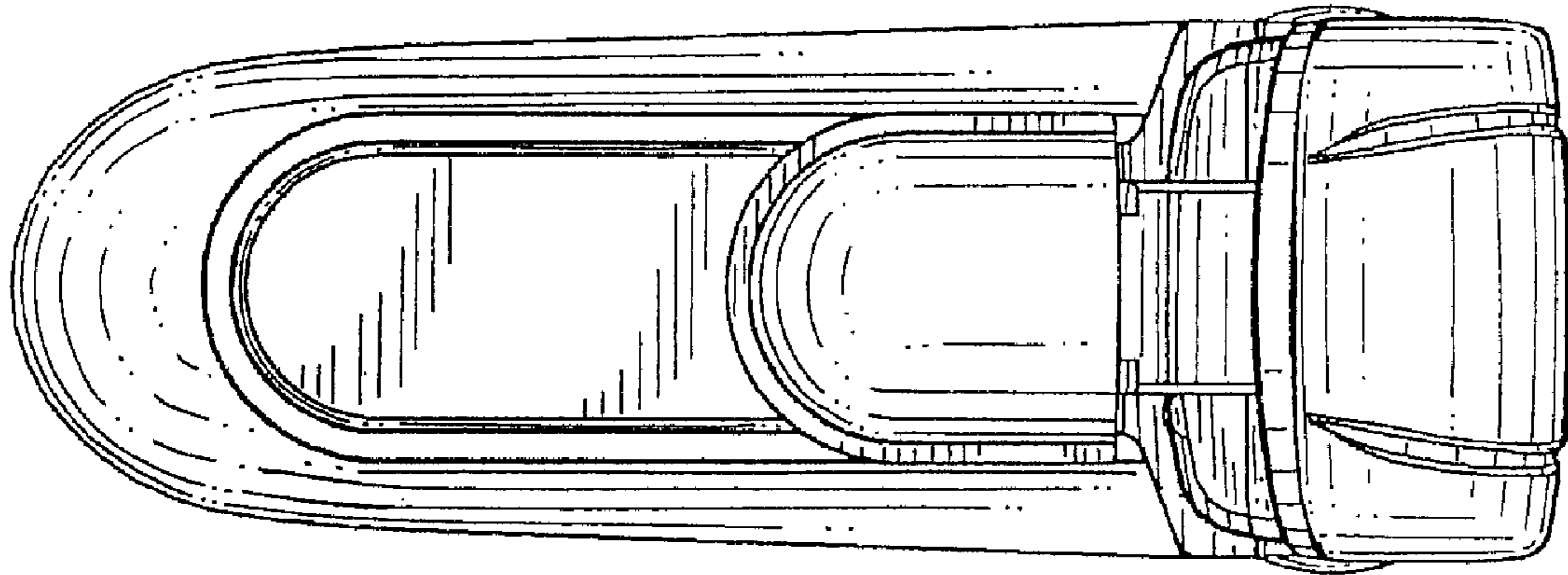


FIG. 13

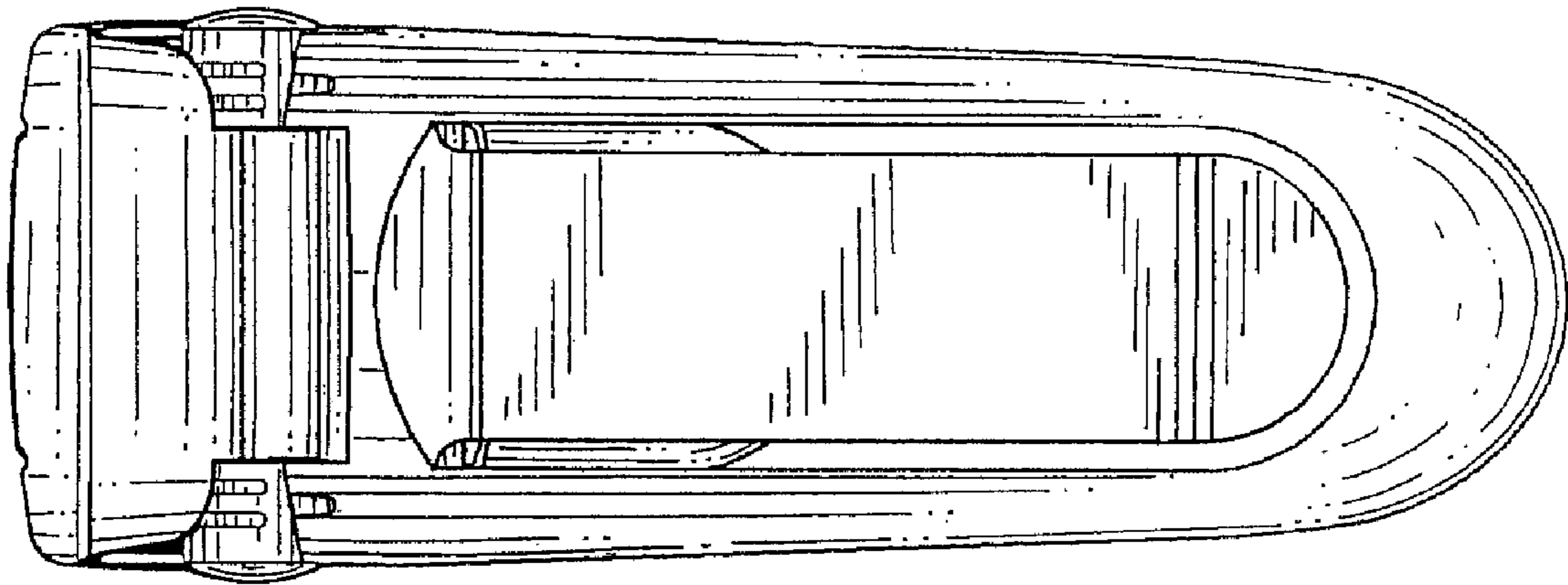


FIG. 14