



US00D594147S

(12) **United States Design Patent**
San Martin et al.

(10) **Patent No.:** **US D594,147 S**
(45) **Date of Patent:** **** *Jun. 9, 2009**

(54) **FLASHLIGHT**

(76) Inventors: **Jerry San Martin**, 1936 Bunker Ave., S. El Monte, CA (US) 91733; **Jozeph Forakis**, Via Canonica 67, Milan (IT) 20154

(*) Notice: This patent is subject to a terminal disclaimer.

(**) Term: **14 Years**

(21) Appl. No.: **29/301,717**

(22) Filed: **Mar. 13, 2008**

(51) **LOC (9) Cl.** **26-02**

(52) **U.S. Cl.** **D26/37**

(58) **Field of Classification Search** D26/37-50;
362/157, 158, 171-174, 183-208
See application file for complete search history.

(56) **References Cited**

U.S. PATENT DOCUMENTS

D449,394 S 10/2001 Parker
6,536,912 B2 3/2003 Parker

D485,626 S 1/2004 Parker
D519,657 S * 4/2006 Stoddard et al. D26/37
D548,863 S * 8/2007 Shiu D26/37
D562,481 S * 2/2008 Yick D26/49

* cited by examiner

Primary Examiner—Marcus A. Jackson
(74) *Attorney, Agent, or Firm*—Cescio Schmoyer & Zervas

(57) **CLAIM**

The ornamental design for a flashlight, as shown and described.

DESCRIPTION

FIG. 1 is a left side elevational view of the flashlight showing my design, the opposite side being a mirror image;

FIG. 2 is a front elevational view thereof;

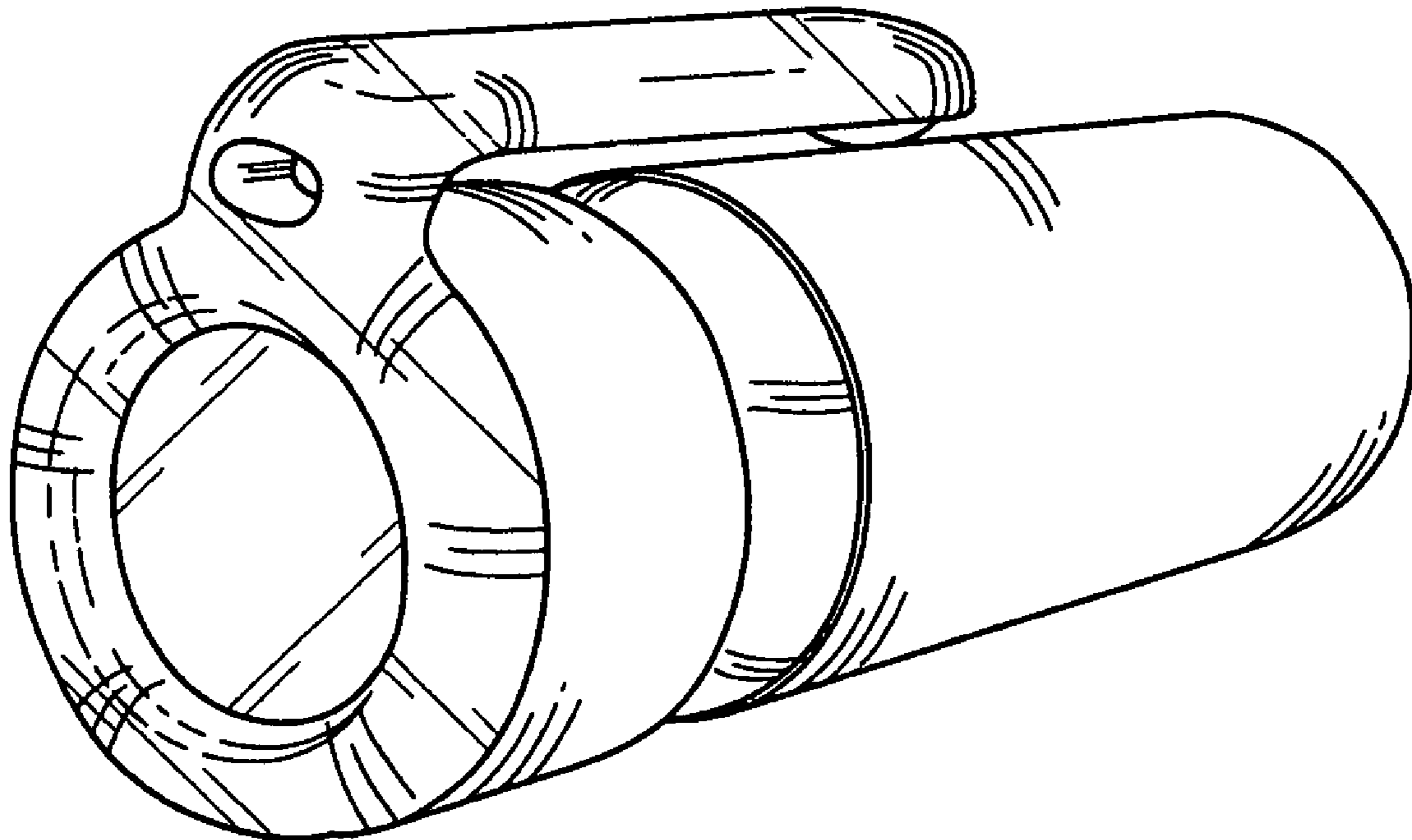
FIG. 3 is a rear elevational view thereof;

FIG. 4 is a top plan view thereof;

FIG. 5 is a bottom plan view thereof; and,

FIG. 6 is a front perspective view thereof.

1 Claim, 2 Drawing Sheets



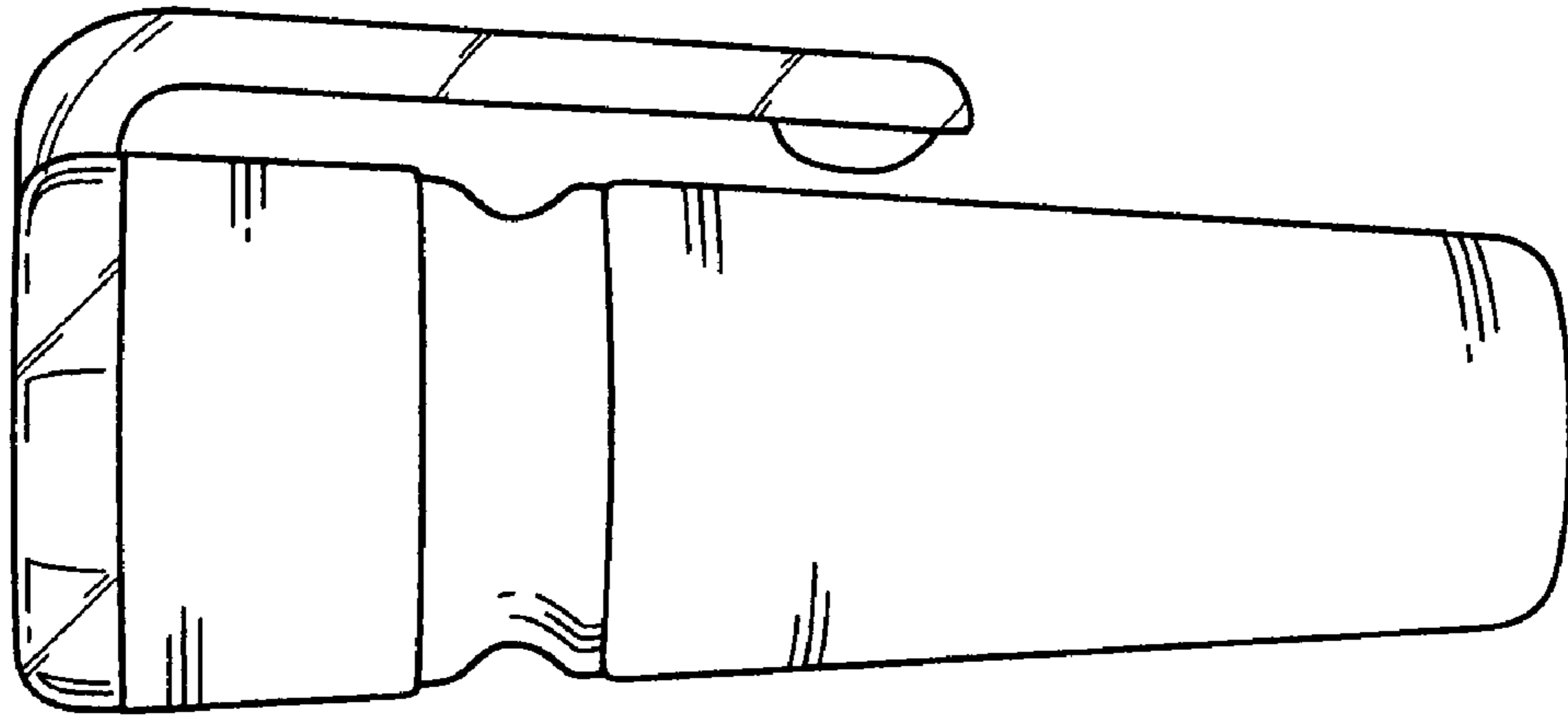


FIG. 1

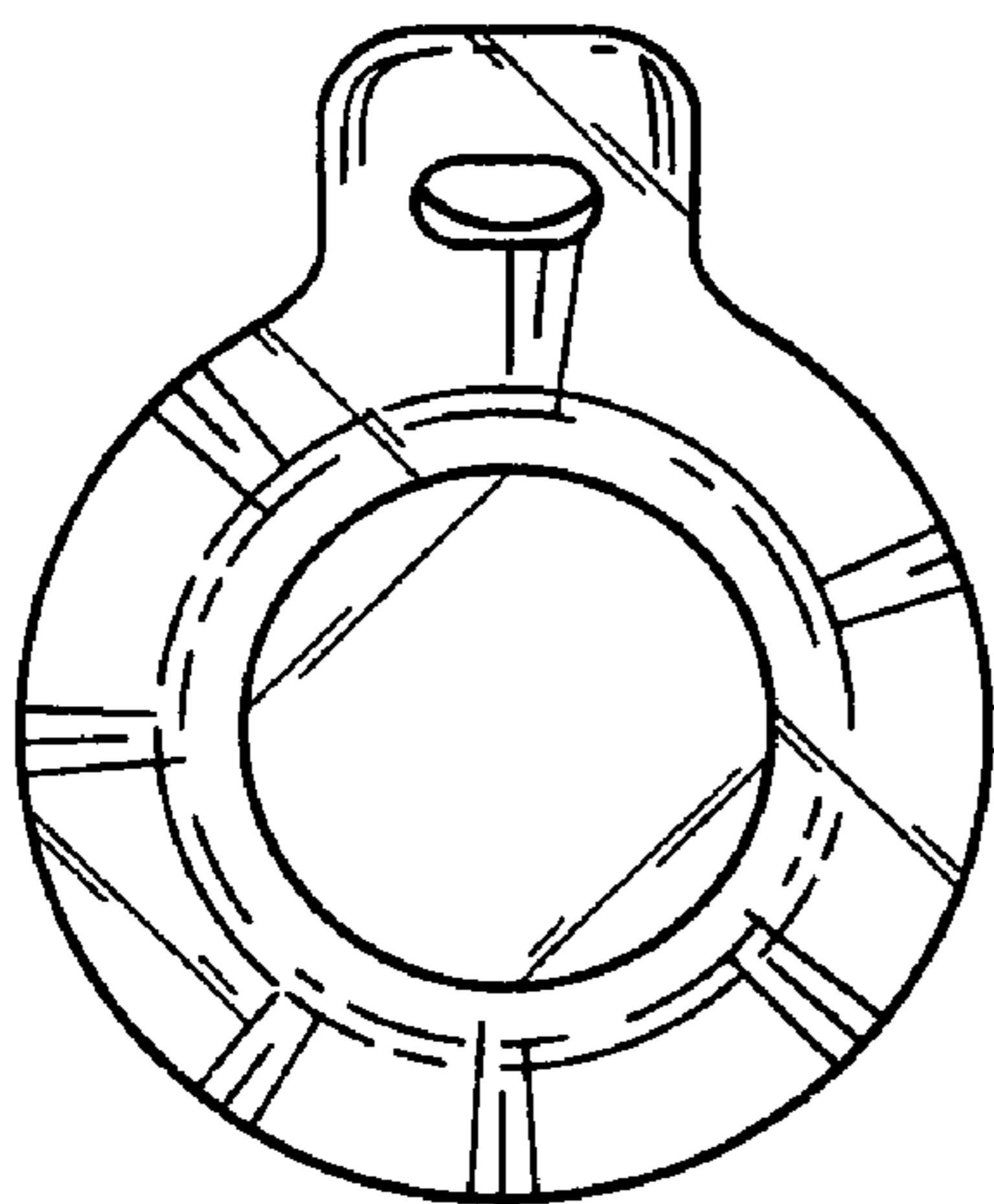


FIG. 2

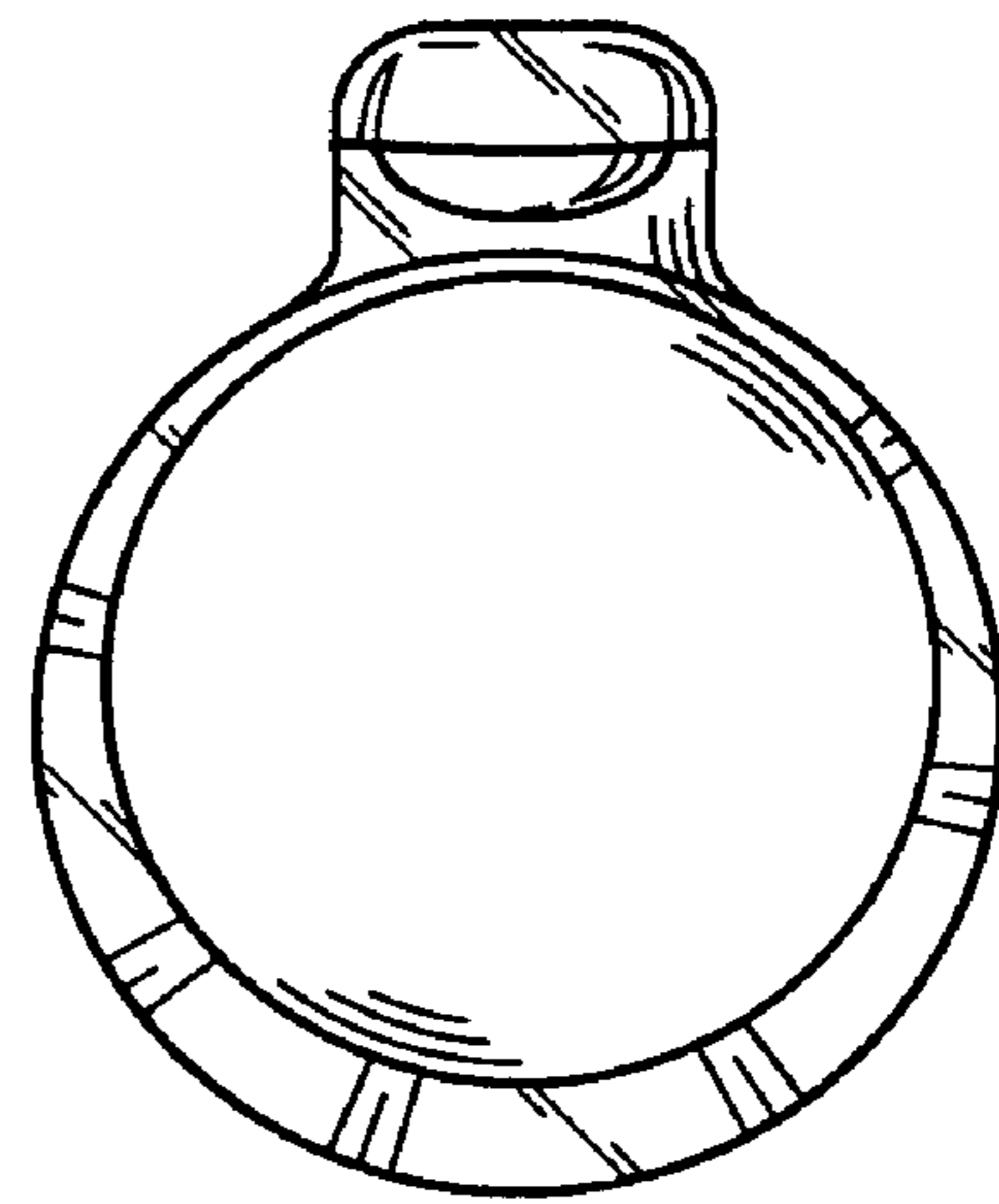


FIG. 3

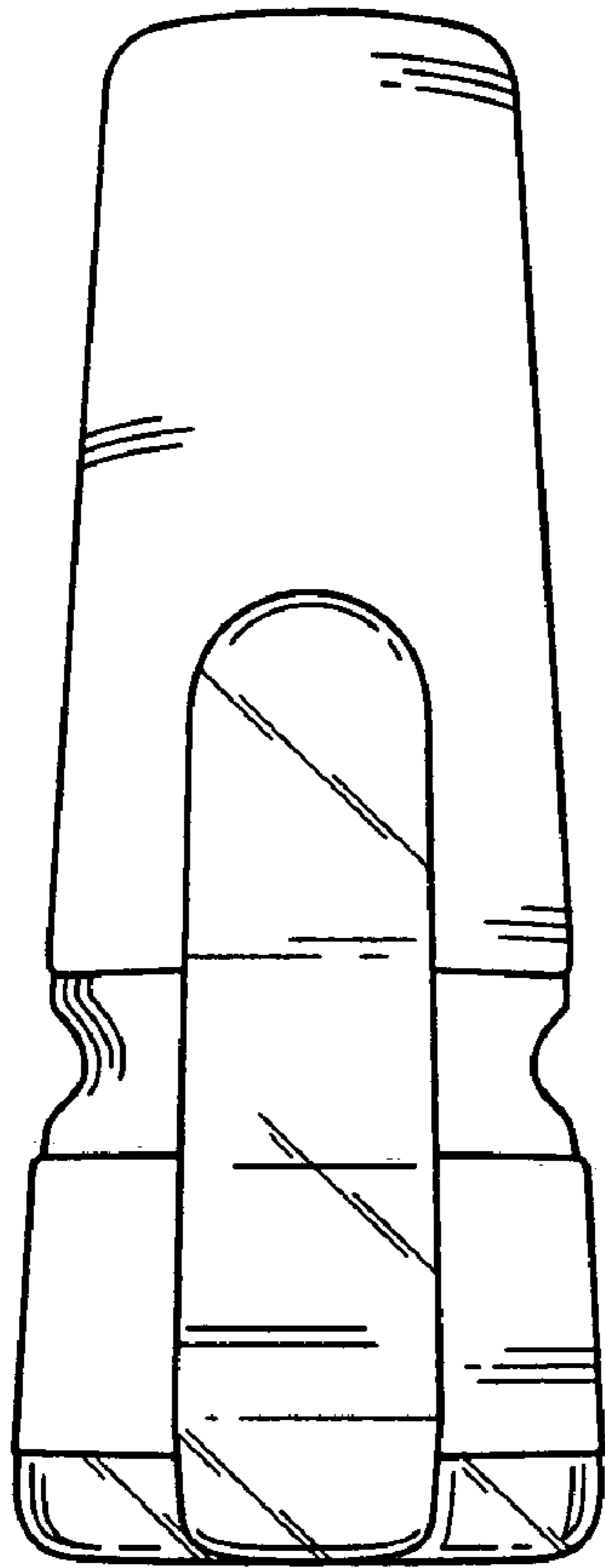


FIG. 4

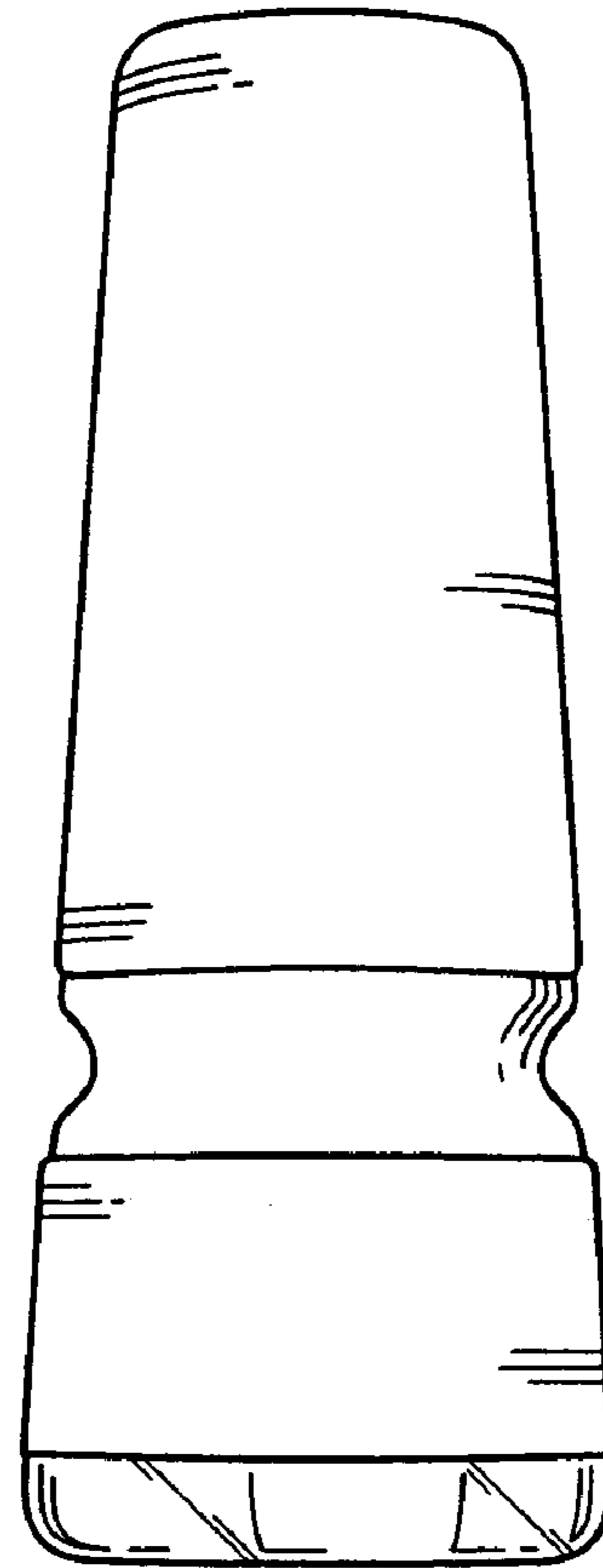


FIG. 5

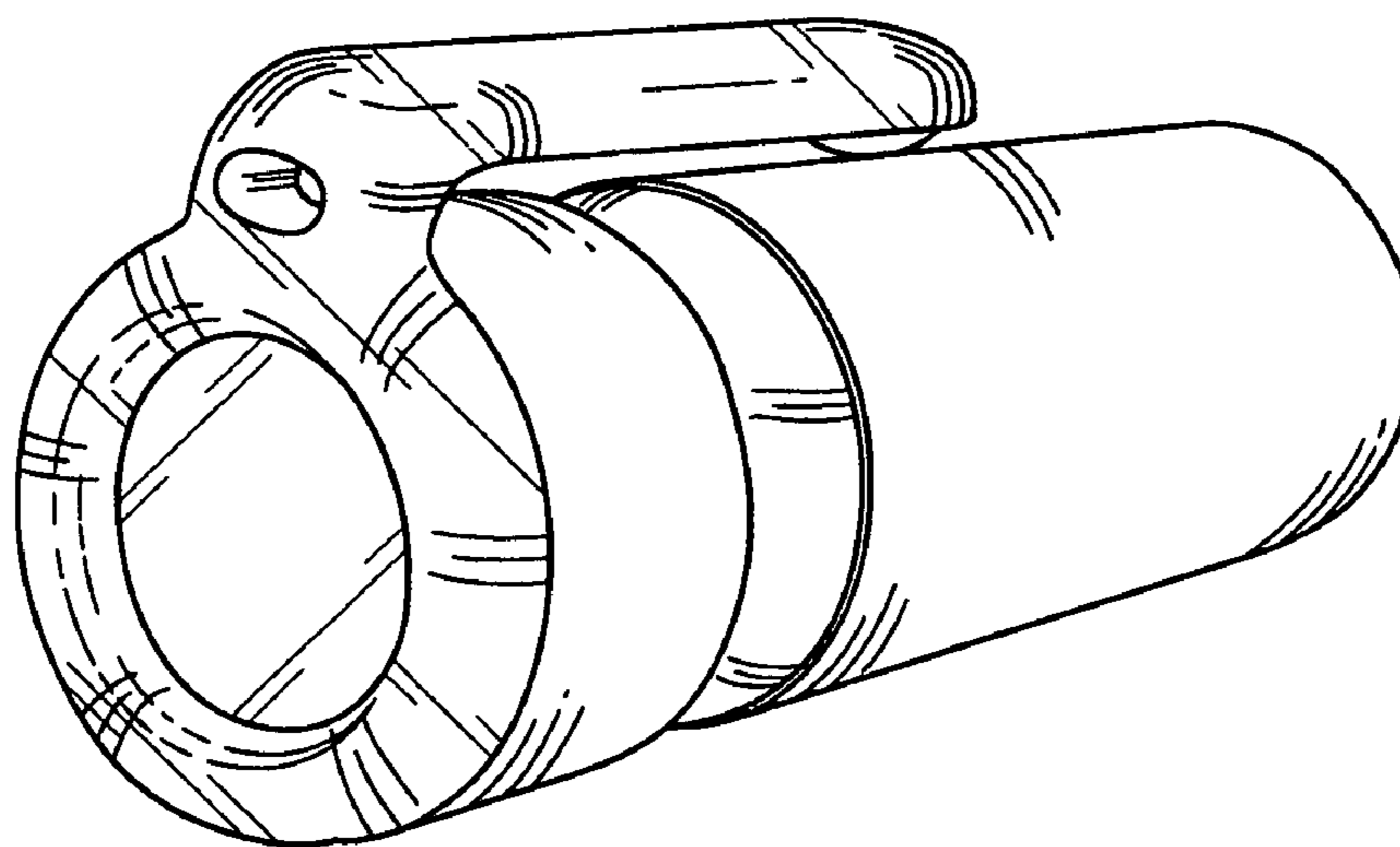


FIG. 6

UNITED STATES PATENT AND TRADEMARK OFFICE
CERTIFICATE OF CORRECTION

PATENT NO. : Des. 594,147 S
APPLICATION NO. : 29/301717
DATED : June 9, 2009
INVENTOR(S) : Forakis

Page 1 of 2

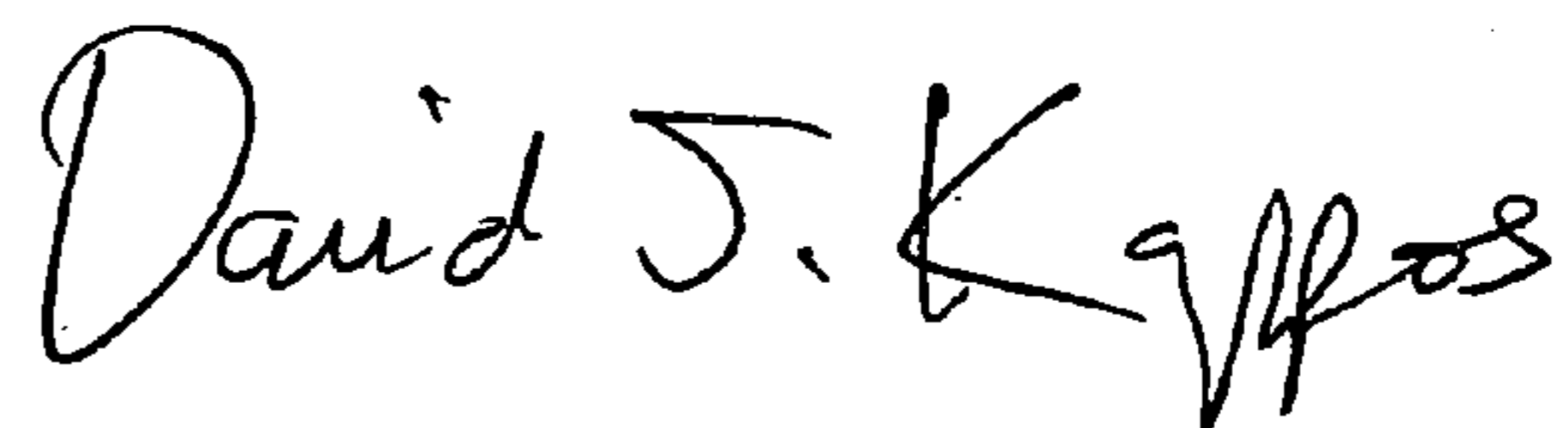
It is certified that error appears in the above-identified patent and that said Letters Patent is hereby corrected as shown below:

The title page, please delete Item "(12)" and insert Item --(12) Forakis--

Title page, please delete Item "(76)" and insert Item --(76) Jozeph Forakis, Via Canonica 67, Milan (IT) 20154--

Signed and Sealed this

Twenty-seventh Day of October, 2009



David J. Kappos
Director of the United States Patent and Trademark Office

(12) **United States Design Patent**
Forakis

(10) **Patent No.:** **US D594,147 S**
(45) **Date of Patent:** **** *Jun. 9, 2009**

(54) **FLASHLIGHT**

D485,626 S 1/2004 Parker
D519,657 S * 4/2006 Stoddard et al. D26/37
D548,863 S * 8/2007 Shiu D26/37
D562,481 S * 2/2008 Yick D26/49

(76) Inventors: **Joseph Forakis**, Via Canonica 67, Milan (IT) 20154

(*) Notice: This patent is subject to a terminal disclaimer.

* cited by examiner

(**) Term: **14 Years**

Primary Examiner Marcus A. Jackson
(74) *Attorney, Agent, or Firm*—Cescio Schroyer & Zervas

(21) Appl. No.: **29/301,717**

(57) **CLAIM**

(22) Filed: **Mar. 13, 2008**

The ornamental design for a flashlight, as shown and described.

(51) **LOC (9) CL.** **26-02**

(52) **U.S. CL.** **D26/37**

(58) **Field of Classification Search** **D26/37-50;**
362/157, 158, 171-174, 183-208

DESCRIPTION

See application file for complete search history.

FIG. 1 is a left side elevational view of the flashlight showing my design, the opposite side being a mirror image;

FIG. 2 is a front elevational view thereof;

FIG. 3 is a rear elevational view thereof;

FIG. 4 is a top plan view thereof;

FIG. 5 is a bottom plan view thereof; and,

FIG. 6 is a front perspective view thereof.

(56) **References Cited**

U.S. PATENT DOCUMENTS

D449,394 S 10/2001 Parker
6,536,912 B2 3/2003 Parker

1 Claim, 2 Drawing Sheets

