

US00D594142S

(12) **United States Design Patent**
Campbell et al.

(10) **Patent No.:** **US D594,142 S**
(45) **Date of Patent:** **** Jun. 9, 2009**

(54) **WINDOW FRAME PROFILE**
(75) Inventors: **David Campbell**, Orillia (CA); **Elias Mancebo**, Barrie (CA)
(73) Assignee: **Royal Group, Inc.**, Atlanta, GA (US)
(**) Term: **14 Years**
(21) Appl. No.: **29/304,645**
(22) Filed: **Mar. 5, 2008**
(51) **LOC (9) Cl.** **25-01**
(52) **U.S. Cl.** **D25/124**
(58) **Field of Classification Search** D25/124,
D25/125; 52/204.1, 204.5, 204.51, 656.5,
52/656.6, 656.2, 730.3; 49/501, 504, DIG. 2
See application file for complete search history.

D442,291 S 5/2001 Ballard et al.
D442,293 S * 5/2001 Habeck et al. D25/124
D444,894 S 7/2001 Marshall
6,298,614 B1 * 10/2001 Fisher 52/204.1
D452,575 S 12/2001 Edger
D453,381 S 2/2002 Ballard et al.
D453,575 S 2/2002 Scalzott
D453,576 S 2/2002 Scalzott
D453,844 S 2/2002 Scalzott
D453,845 S 2/2002 Scalzott
D453,846 S 2/2002 Scalzott
D455,841 S 4/2002 Fisher et al.
D458,690 S 6/2002 Roberts et al.
D461,014 S 7/2002 Marshall
D461,256 S 8/2002 Ballard et al.
D461,570 S 8/2002 Ballard et al.
D466,623 S 12/2002 Ballard et al.
D466,627 S 12/2002 Morton et al.
D467,355 S 12/2002 Ballard et al.
D471,647 S 3/2003 Chaney et al.
D495,430 S 8/2004 Franson

(56) **References Cited**

U.S. PATENT DOCUMENTS

4,831,781 A * 5/1989 Morton 49/504
5,099,624 A 3/1992 Valentin
5,687,519 A * 11/1997 Bruchu 52/213
D402,054 S 12/1998 Leonelli
D405,196 S 2/1999 Arcati et al.
D406,653 S 3/1999 Morton et al.
D412,585 S 8/1999 Arcati et al.
D413,395 S 8/1999 Arcati et al.
D417,919 S 12/1999 Hersh et al.
6,006,478 A 12/1999 Hubner et al.
D435,918 S 1/2001 Hauberg et al.
D436,190 S 1/2001 Ballard et al.
D436,412 S 1/2001 Hauberg et al.
D436,413 S 1/2001 Habeck et al.
D438,644 S 3/2001 Habeck et al.
D438,989 S 3/2001 Ballard et al.
D439,679 S 3/2001 Ballard et al.
D440,323 S 4/2001 Habeck et al.
D440,324 S 4/2001 Habeck et al.
D440,664 S 4/2001 Habeck et al.
D440,665 S 4/2001 Habeck et al.
D440,669 S 4/2001 Habeck et al.
D441,099 S 4/2001 Habeck et al.

(Continued)

Primary Examiner—Doris Clark
(74) *Attorney, Agent, or Firm*—Hunton & Williams LLP

(57) **CLAIM**

We claim the ornamental design for a window frame profile, as shown and described.

DESCRIPTION

FIG. 1 is a fragmentary top right isometric view of a window frame profile showing the claimed design.

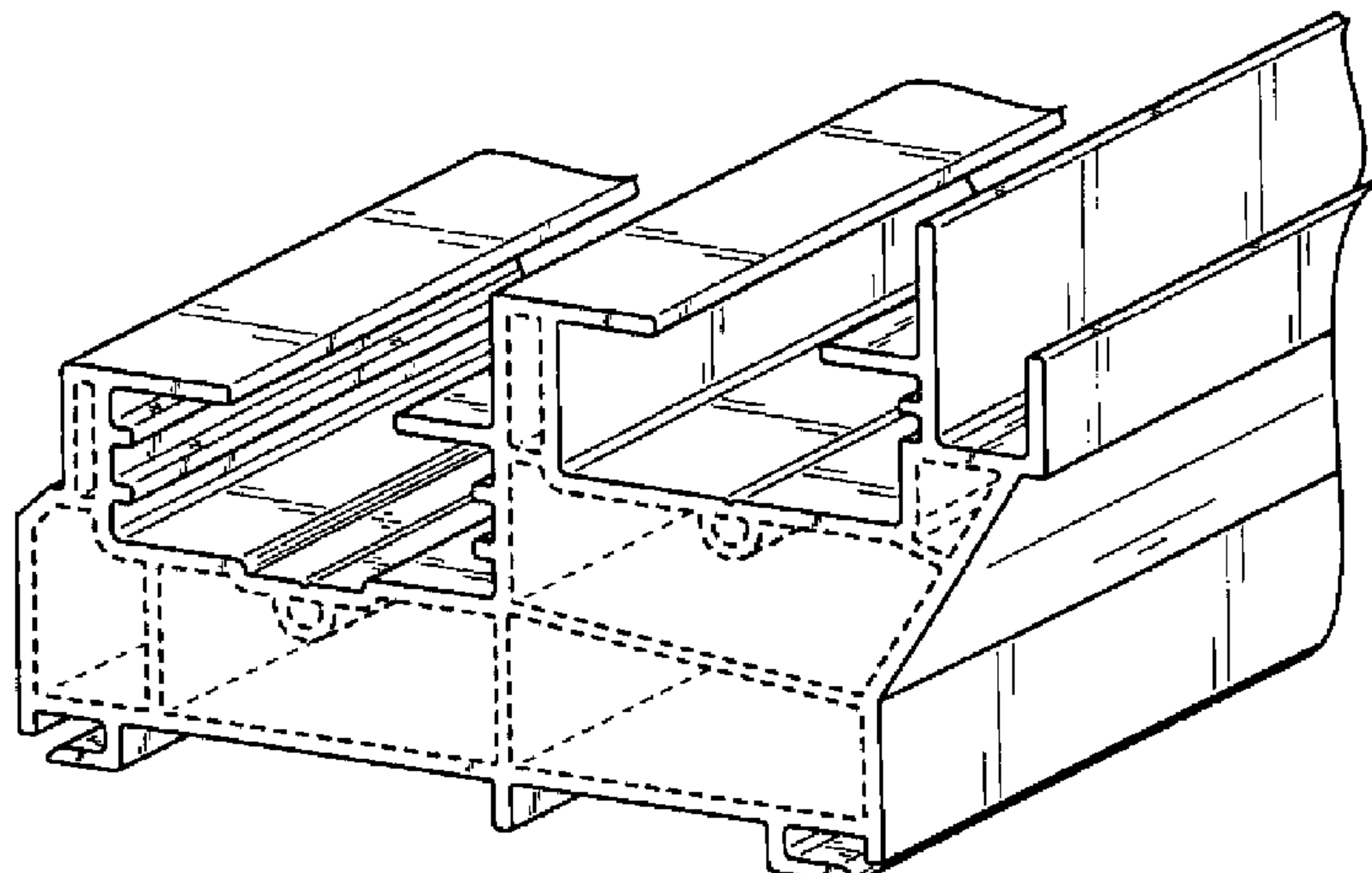
FIG. 2 is a fragmentary bottom left isometric view of the window frame profile of FIG. 1; and,

FIG. 3 is an end elevation view of the window frame profile of FIG. 1.

The claimed design is broken on the end to indicate indeterminate length.

The broken lines are for illustrative purposes only and form no part of the claimed design.

1 Claim, 3 Drawing Sheets



US D594,142 S

Page 2

U.S. PATENT DOCUMENTS

D496,741 S *	9/2004	Franson	D25/124	D546,979 S	7/2007	Ye	
D496,742 S	9/2004	Franson		D550,862 S	9/2007	Brabeck et al.	
D500,561 S	1/2005	Franson		D552,260 S	10/2007	Franson	
6,857,232 B2	2/2005	Bealko		D552,261 S	10/2007	Wickland	
D502,555 S	3/2005	Fannan		D552,262 S	10/2007	Wickland	
D505,503 S	5/2005	Wickland		D552,761 S	10/2007	Wickland	
7,017,319 B2 *	3/2006	Bowman	52/846	D552,762 S	10/2007	Wickland	
D537,540 S	2/2007	Franson		D552,763 S	10/2007	Wickland	
D539,932 S	4/2007	Fannan		D552,764 S	10/2007	Wickland	
D541,954 S	5/2007	Allen et al.		D553,262 S	10/2007	Wickland	
D542,422 S	5/2007	Franson		D553,762 S	10/2007	Schrader	
D546,975 S	7/2007	Allen et al.		D554,776 S	11/2007	Fannan	
D546,976 S	7/2007	Ye		2002/0078640 A1 *	6/2002	Petta	52/204.1
D546,977 S	7/2007	Ye		2003/0159374 A1	8/2003	Burgess	
D546,978 S	7/2007	Ye		2004/0000093 A1	1/2004	Guelck	

* cited by examiner

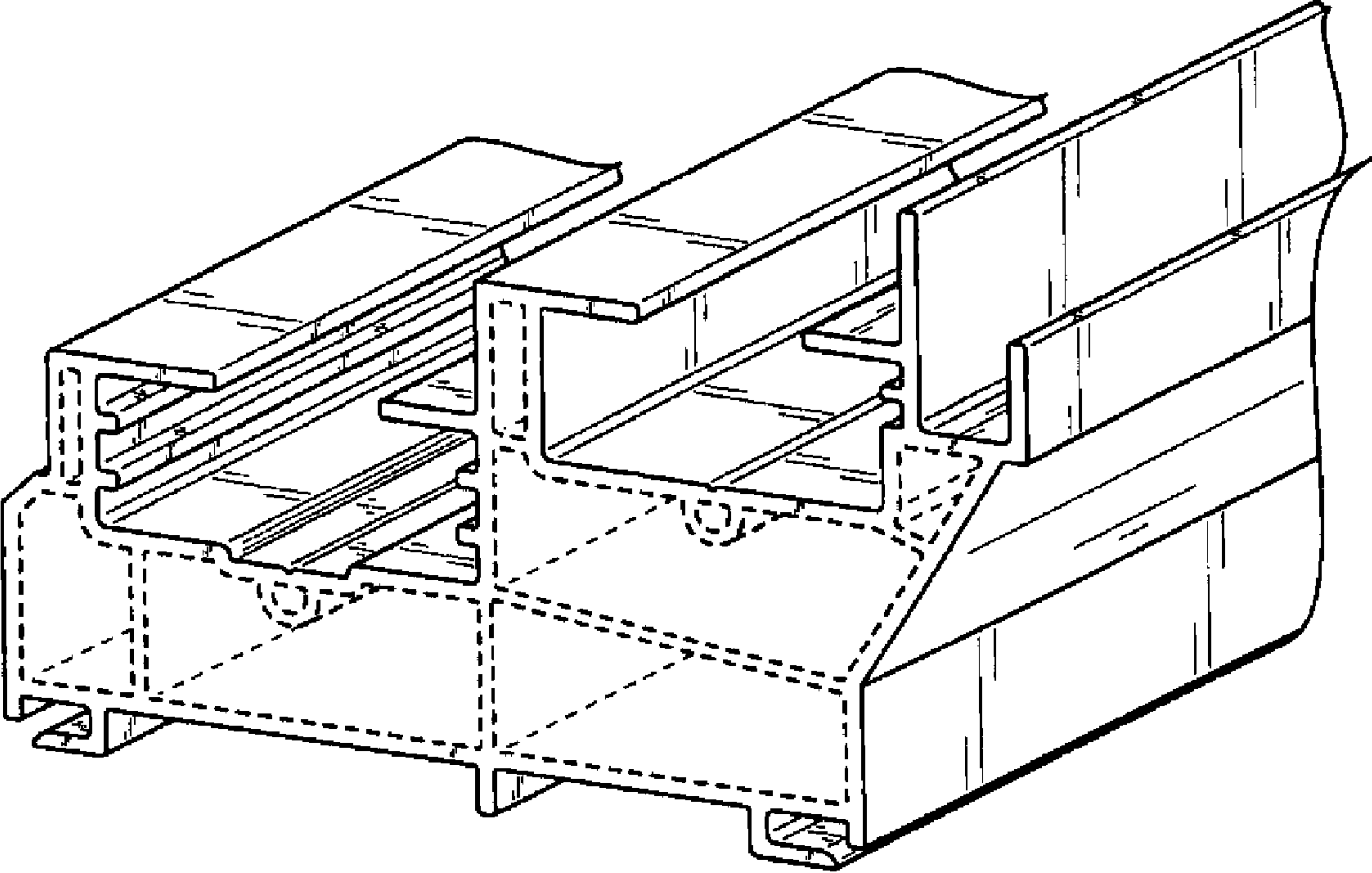


FIG. 1

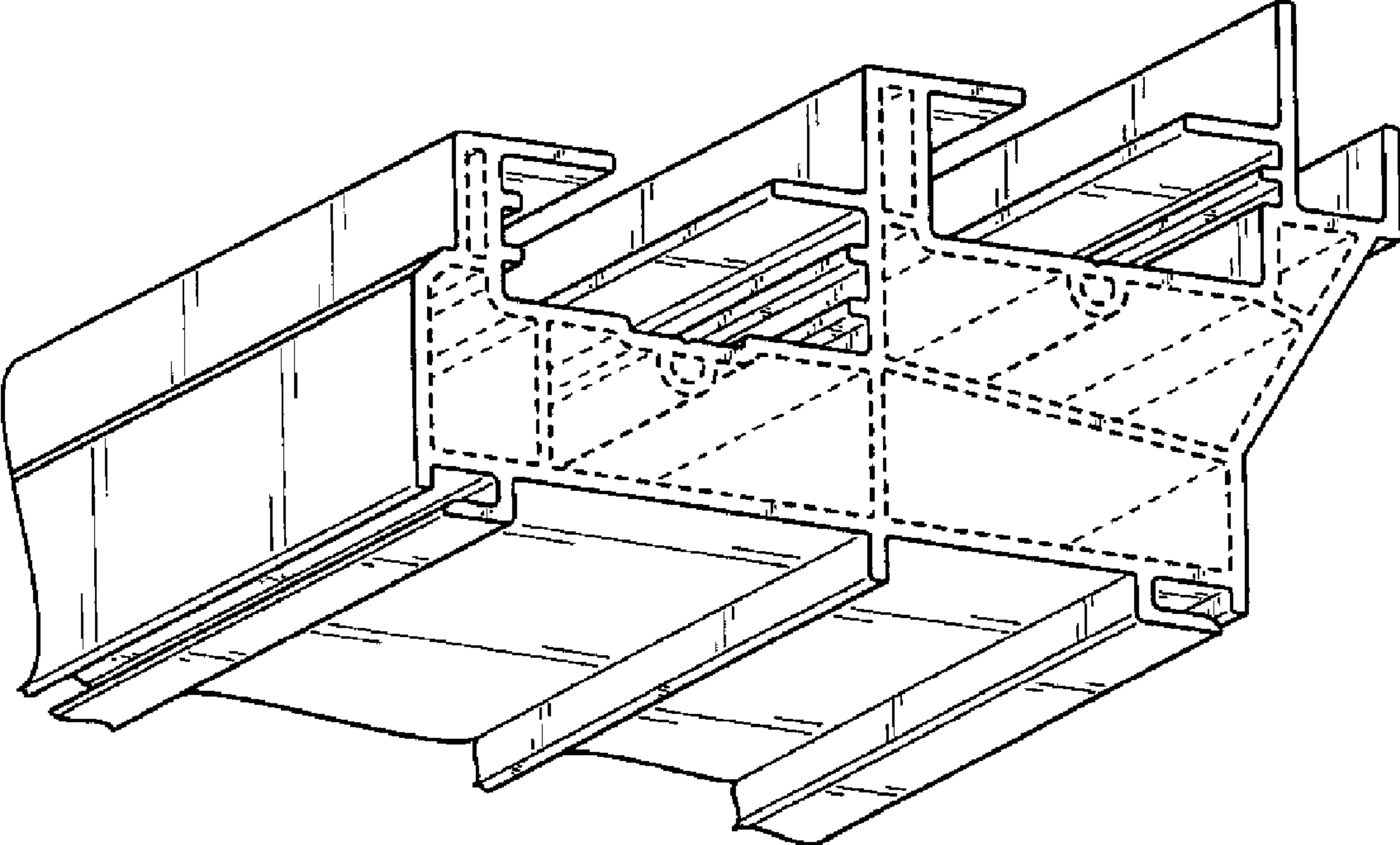


FIG. 2

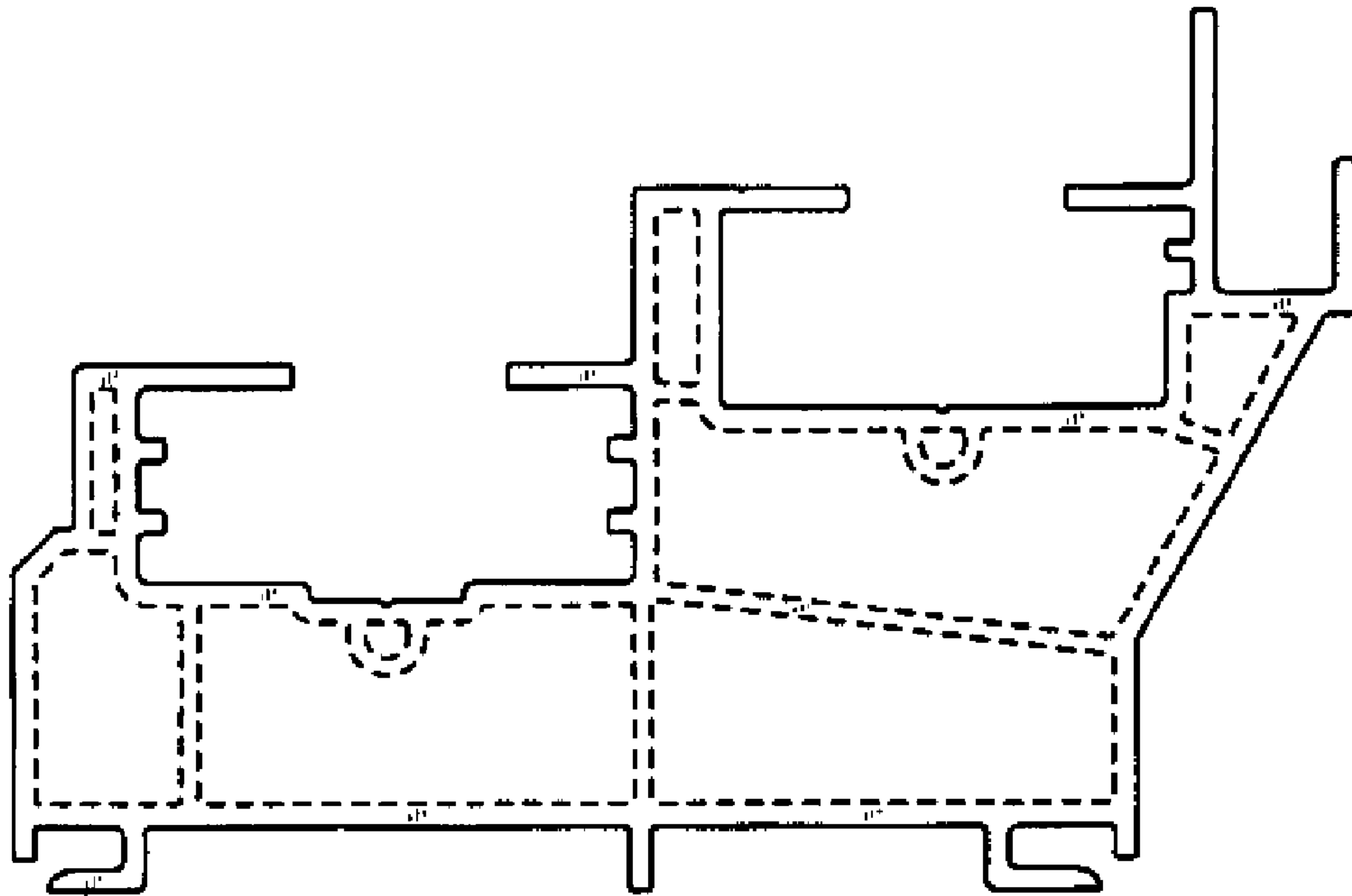


FIG. 3