



US00D594138S

(12) **United States Design Patent**
Campbell et al.

(10) **Patent No.:** **US D594,138 S**
(45) **Date of Patent:** **** Jun. 9, 2009**

(54) **WINDOW FRAME PROFILE**

(75) Inventors: **David Campbell**, Orillia (CA); **Elias Mancebo**, Barrie (CA)

(73) Assignee: **Royal Group, Inc.**, Atlanta, GA (US)

(**) Term: **14 Years**

(21) Appl. No.: **29/304,627**

(22) Filed: **Mar. 5, 2008**

(51) **LOC (9) Cl.** **25-01**

(52) **U.S. Cl.** **D25/124**

(58) **Field of Classification Search** D25/124,
D25/125; 52/204.1, 204.5, 204.51, 656.5,
52/656.6, 656.2, 730.3; 49/501, 504, DIG. 2
See application file for complete search history.

(56) **References Cited**

U.S. PATENT DOCUMENTS

4,831,781	A *	5/1989	Morton	49/504
5,099,624	A	3/1992	Valentin		
5,687,519	A *	11/1997	Bruchu	52/213
D402,054	S	12/1998	Leonelli		
D405,196	S	2/1999	Arcati et al.		
D406,653	S	3/1999	Morton et al.		
D412,585	S	8/1999	Arcati et al.		
D413,395	S	8/1999	Arcati et al.		
D417,919	S	12/1999	Hersh et al.		
6,006,478	A	12/1999	Hubner et al.		
D435,918	S	1/2001	Hauberg et al.		
D436,190	S	1/2001	Ballard et al.		
D436,412	S	1/2001	Hauberg et al.		

D436,413	S	1/2001	Habeck et al.		
D438,644	S	3/2001	Habeck et al.		
D438,989	S	3/2001	Ballard et al.		
D439,679	S	3/2001	Ballard et al.		
D440,323	S	4/2001	Habeck et al.		
D440,324	S	4/2001	Habeck et al.		
D440,664	S	4/2001	Habeck et al.		
D440,665	S	4/2001	Habeck et al.		
D440,669	S	4/2001	Habeck et al.		
D441,099	S	4/2001	Habeck et al.		
D442,291	S	5/2001	Ballard et al.		
D442,293	S *	5/2001	Habeck et al.	D25/124
D444,894	S	7/2001	Marshall		
6,298,614	B1 *	10/2001	Fisher	52/204.1

(Continued)

Primary Examiner—Doris Clark

(74) *Attorney, Agent, or Firm*—Hunton & Williams LLP

(57) **CLAIM**

We claim the ornamental design for a window frame profile, as shown and described.

DESCRIPTION

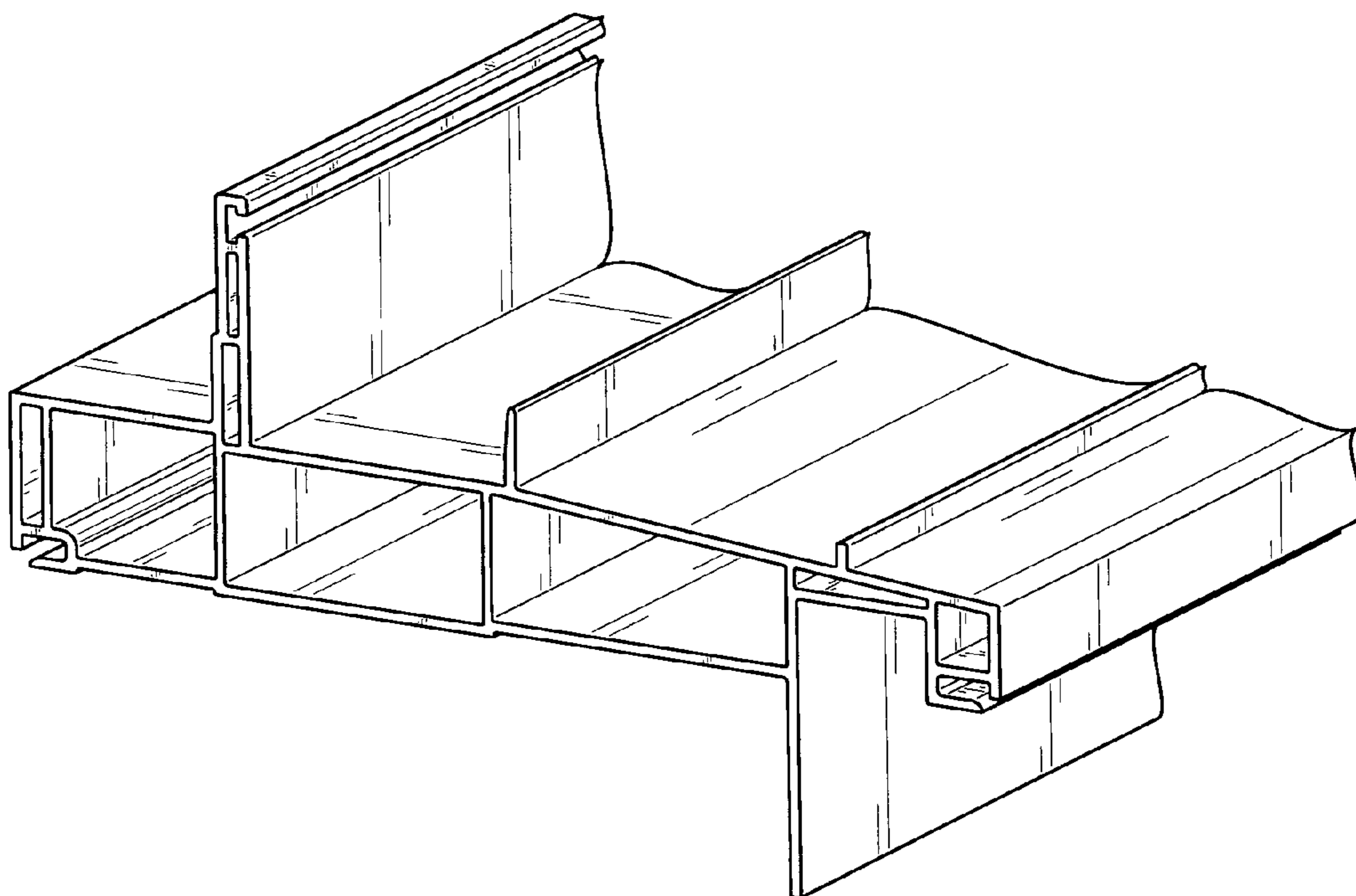
FIG. 1 is a fragmentary top right isometric view of a window frame profile showing the claimed design.

FIG. 2 is a fragmentary bottom left isometric view of the window frame profile of FIG. 1; and,

FIG. 3 is an end elevation view of the window frame profile of FIG. 1.

The claimed design is broken on the end to indicate indeterminate length.

1 Claim, 3 Drawing Sheets



US D594,138 S

U.S. PATENT DOCUMENTS			7,017,319 B2 *	3/2006	Bowman	52/846
D452,575 S	12/2001	Edger	D537,540 S	2/2007	Franson	
D453,381 S	2/2002	Ballard et al.	D539,932 S	4/2007	Fannan	
D453,575 S	2/2002	Scalzott	D541,954 S	5/2007	Allen et al.	
D453,576 S	2/2002	Scalzott	D542,422 S	5/2007	Franson	
D453,844 S	2/2002	Scalzott	D546,975 S	7/2007	Allen et al.	
D453,845 S	2/2002	Scalzott	D546,976 S	7/2007	Ye	
D453,846 S	2/2002	Scalzott	D546,977 S	7/2007	Ye	
D455,841 S	4/2002	Fisher et al.	D546,978 S	7/2007	Ye	
D458,690 S	6/2002	Roberts et al.	D546,979 S	7/2007	Ye	
D461,014 S	7/2002	Marshall	D550,862 S	9/2007	Brabeck et al.	
D461,256 S	8/2002	Ballard et al.	D552,260 S	10/2007	Franson	
D461,570 S	8/2002	Ballard et al.	D552,261 S	10/2007	Wickland	
D466,623 S	12/2002	Ballard et al.	D552,262 S	10/2007	Wickland	
D466,627 S	12/2002	Morton et al.	D552,761 S	10/2007	Wickland	
D467,355 S	12/2002	Ballard et al.	D552,762 S	10/2007	Wickland	
D471,647 S	3/2003	Chaney et al.	D552,763 S	10/2007	Wickland	
D495,430 S	8/2004	Franson	D552,764 S	10/2007	Wickland	
D496,741 S *	9/2004	Franson	D553,262 S	10/2007	Wickland	
D496,742 S	9/2004	Franson	D553,762 S	10/2007	Schrader	
D500,561 S	1/2005	Franson	D554,776 S	11/2007	Fannan	
6,857,232 B2	2/2005	Bealko	2002/0078640 A1 *	6/2002	Petta	52/204.1
D502,555 S	3/2005	Fannan	2003/0159374 A1	8/2003	Burgess	
D505,503 S	5/2005	Wickland	2004/0000093 A1	1/2004	Guelck	

* cited by examiner

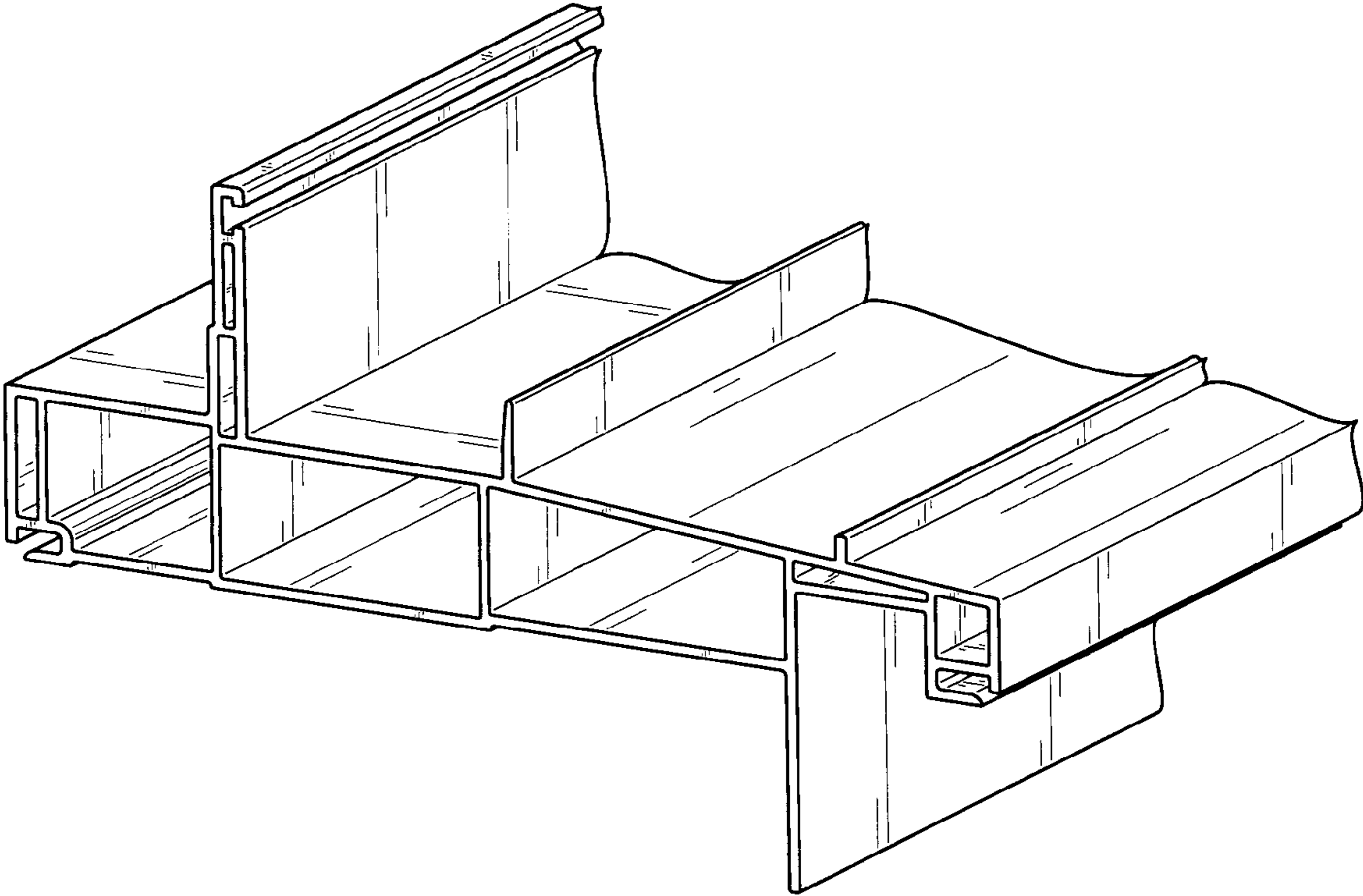


FIG. 1

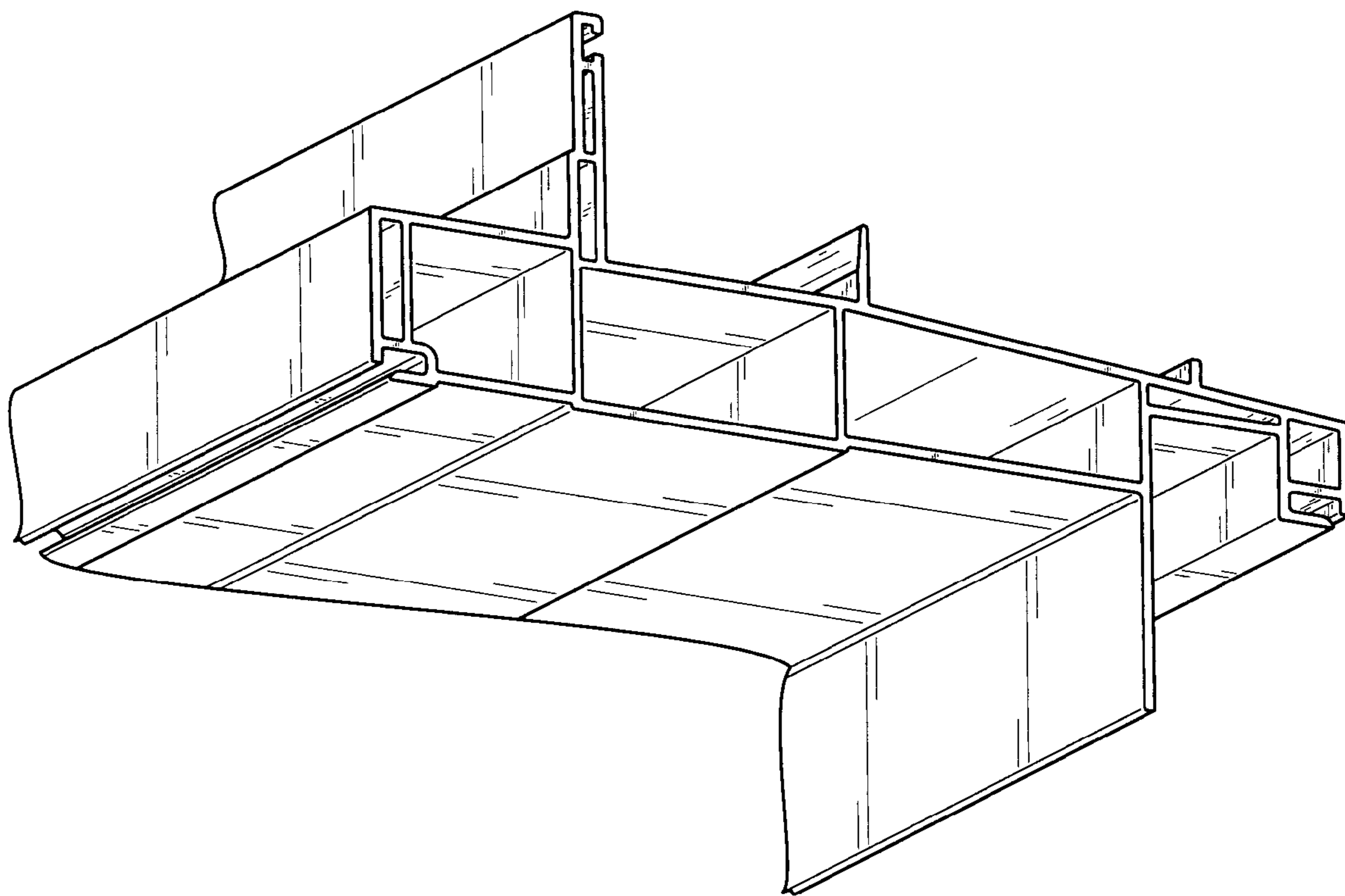


FIG. 2

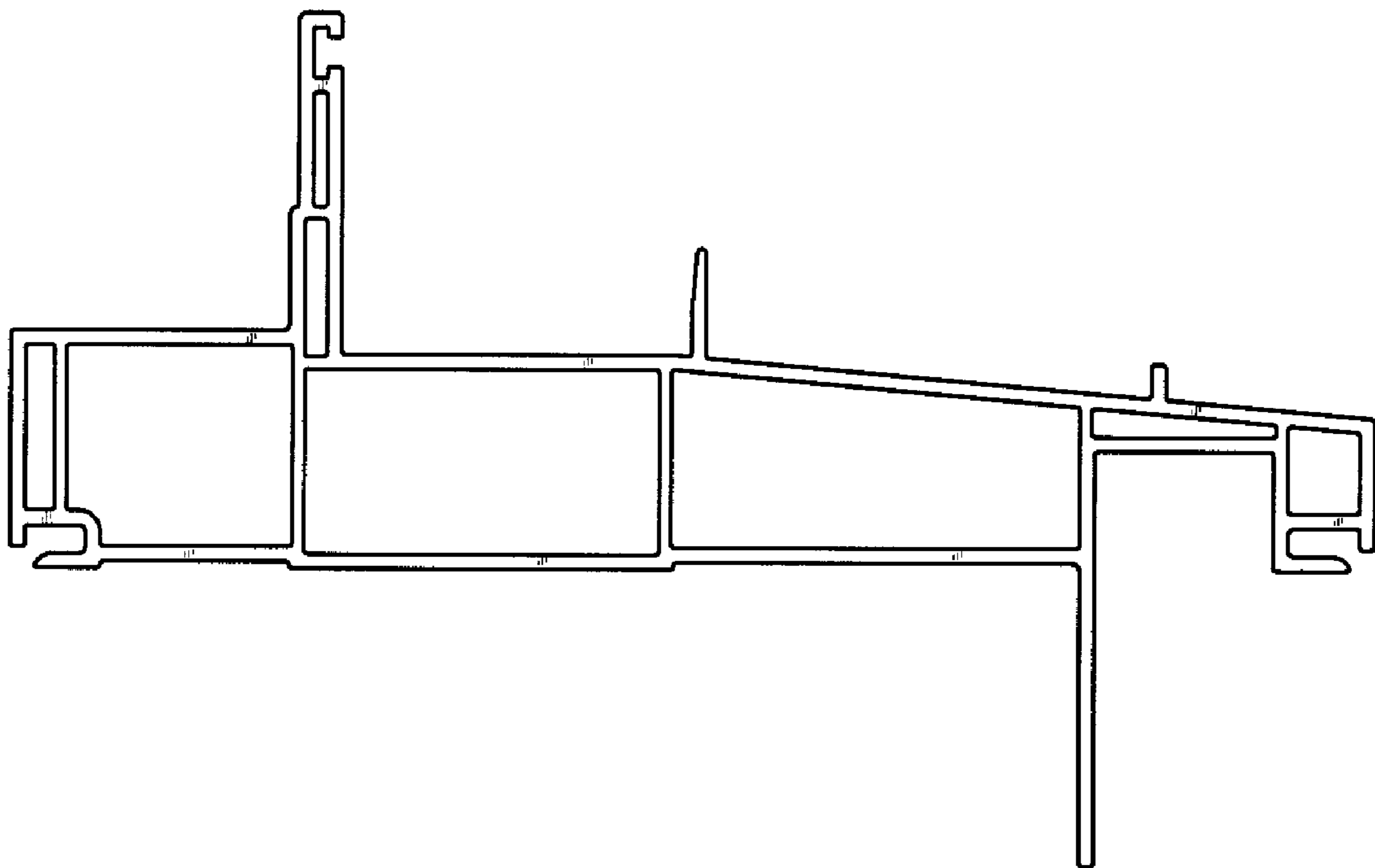


FIG. 3