

US00D594137S

(12) **United States Design Patent**
Campbell et al.

(10) **Patent No.:** **US D594,137 S**
(45) **Date of Patent:** **** Jun. 9, 2009**

(54) **WINDOW FRAME PROFILE**
(75) Inventors: **David Campbell**, Orillia (CA); **Elias Mancebo**, Barrie (CA)
(73) Assignee: **Royal Group, Inc.**, Atlanta, GA (US)
(**) Term: **14 Years**
(21) Appl. No.: **29/304,624**
(22) Filed: **Mar. 5, 2008**

D438,989 S 3/2001 Ballard et al.
D439,679 S 3/2001 Ballard et al.
D440,323 S 4/2001 Habeck et al.
D440,324 S 4/2001 Habeck et al.
D440,664 S 4/2001 Habeck et al.
D440,665 S 4/2001 Habeck et al.
D440,669 S 4/2001 Habeck et al.
D441,099 S 4/2001 Habeck et al.
D442,291 S 5/2001 Ballard et al.
D442,293 S * 5/2001 Habeck et al. D25/124
D444,894 S 7/2001 Marshall
6,298,614 B1 * 10/2001 Fisher 52/204.1

(51) **LOC (9) Cl.** **25-01**
(52) **U.S. Cl.** **D25/124**
(58) **Field of Classification Search** D25/124,
D25/125; 52/204.1, 204.5, 204.51, 656.5,
52/656.6, 656.2, 730.3; 49/501, 504, DIG. 2
See application file for complete search history.

(56) **References Cited**

U.S. PATENT DOCUMENTS

4,831,781 A * 5/1989 Morton 49/504
5,099,624 A 3/1992 Valentin
5,687,519 A * 11/1997 Bruchu 52/213
D402,054 S 12/1998 Leonelli
D405,196 S 2/1999 Arcati et al.
D406,653 S 3/1999 Morton et al.
D412,585 S 8/1999 Arcati et al.
D413,395 S 8/1999 Arcati et al.
D417,919 S 12/1999 Hersh et al.
6,006,478 A 12/1999 Hubner et al.
D435,918 S 1/2001 Hauberg et al.
D436,190 S 1/2001 Ballard et al.
D436,412 S 1/2001 Hauberg et al.
D436,413 S 1/2001 Habeck et al.
D438,644 S 3/2001 Habeck et al.

(Continued)

Primary Examiner—Doris Clark
(74) *Attorney, Agent, or Firm*—Hunton & Williams LLP

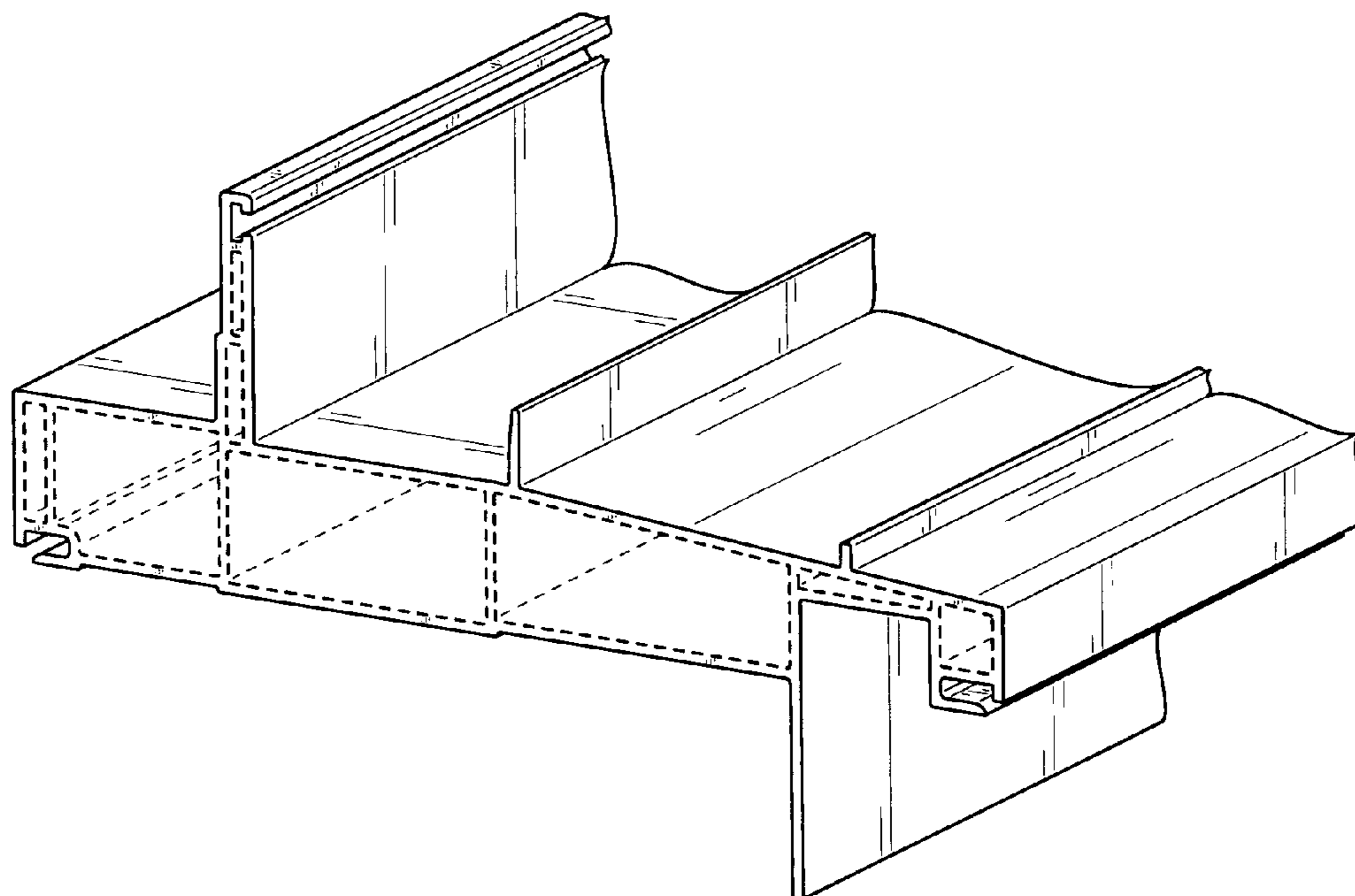
(57) **CLAIM**

We claim the ornamental design for a window frame profile, as shown and described.

DESCRIPTION

FIG. 1 is a fragmentary top right isometric view of a window frame profile showing the claimed design.
FIG. 2 is a fragmentary bottom left isometric view of the window frame profile of FIG. 1; and,
FIG. 3 is an end elevation view of the window frame profile of FIG. 1.
The claimed design is broken on the end to indicate indeterminate length.
The broken lines are for illustrative purposes only and form no part of the claimed design.

1 Claim, 3 Drawing Sheets



US D594,137 S

Page 2

U.S. PATENT DOCUMENTS			7,017,319 B2 *	3/2006	Bowman	52/846
D452,575 S	12/2001	Edger	D537,540 S	2/2007	Franson	
D453,381 S	2/2002	Ballard et al.	D539,932 S	4/2007	Fannan	
D453,575 S	2/2002	Scalzott	D541,954 S	5/2007	Allen et al.	
D453,576 S	2/2002	Scalzott	D542,422 S	5/2007	Franson	
D453,844 S	2/2002	Scalzott	D546,975 S	7/2007	Allen et al.	
D453,845 S	2/2002	Scalzott	D546,976 S	7/2007	Ye	
D453,846 S	2/2002	Scalzott	D546,977 S	7/2007	Ye	
D455,841 S	4/2002	Fisher et al.	D546,978 S	7/2007	Ye	
D458,690 S	6/2002	Roberts et al.	D546,979 S	7/2007	Ye	
D461,014 S	7/2002	Marshall	D550,862 S	9/2007	Brabeck et al.	
D461,256 S	8/2002	Ballard et al.	D552,260 S	10/2007	Franson	
D461,570 S	8/2002	Ballard et al.	D552,261 S	10/2007	Wickland	
D466,623 S	12/2002	Ballard et al.	D552,262 S	10/2007	Wickland	
D466,627 S	12/2002	Morton et al.	D552,761 S	10/2007	Wickland	
D467,355 S	12/2002	Ballard et al.	D552,762 S	10/2007	Wickland	
D471,647 S	3/2003	Chaney et al.	D552,763 S	10/2007	Wickland	
D495,430 S	8/2004	Franson	D552,764 S	10/2007	Wickland	
D496,741 S *	9/2004	Franson D25/124	D553,262 S	10/2007	Wickland	
D496,742 S	9/2004	Franson	D553,762 S	10/2007	Schrader	
D500,561 S	1/2005	Franson	D554,776 S	11/2007	Fannan	
6,857,232 B2	2/2005	Bealko	2002/0078640 A1 *	6/2002	Petta 52/204.1	
D502,555 S	3/2005	Fannan	2003/0159374 A1	8/2003	Burgess	
D505,503 S	5/2005	Wickland	2004/0000093 A1	1/2004	Guelck	

* cited by examiner

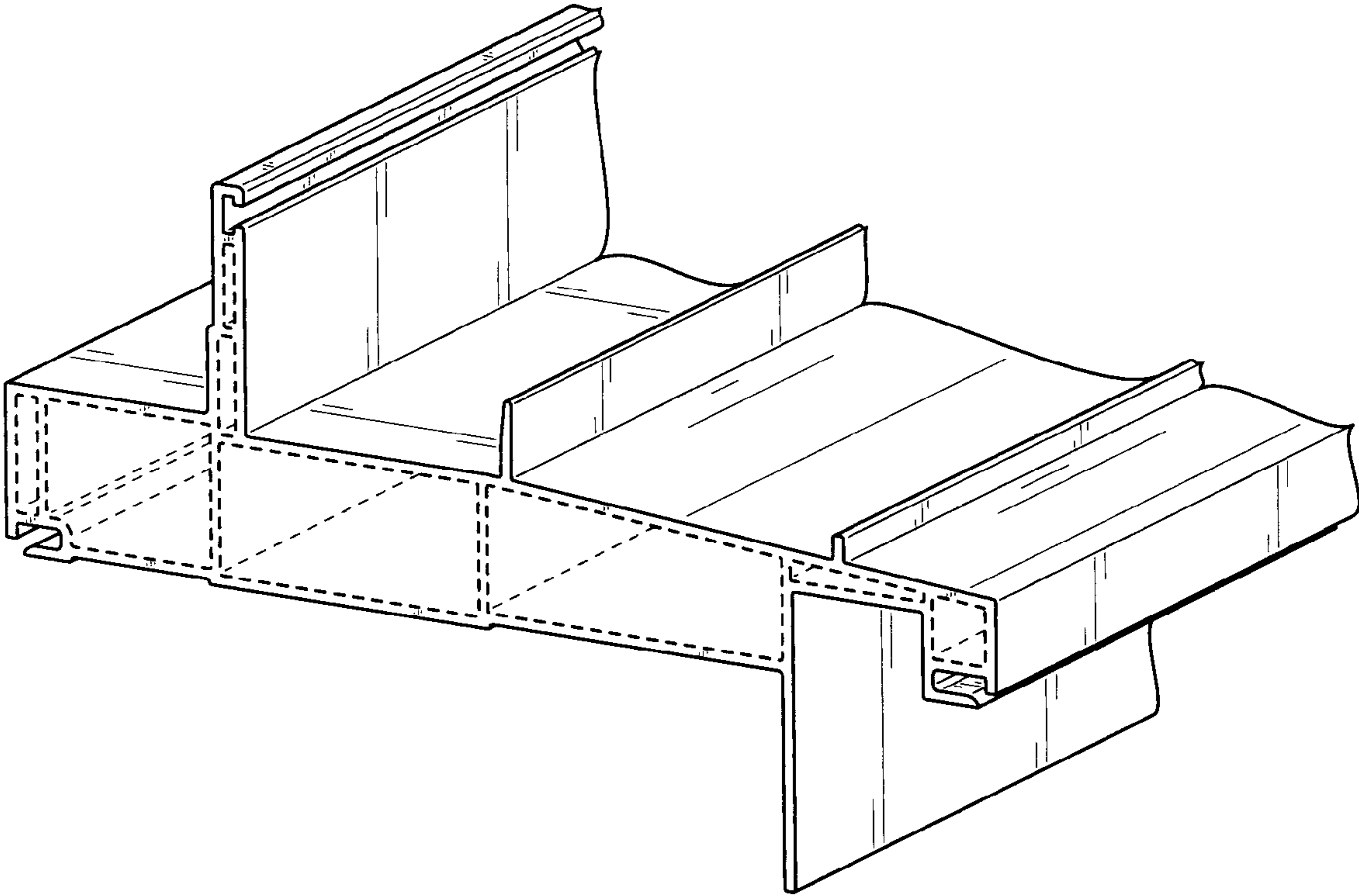


FIG. 1

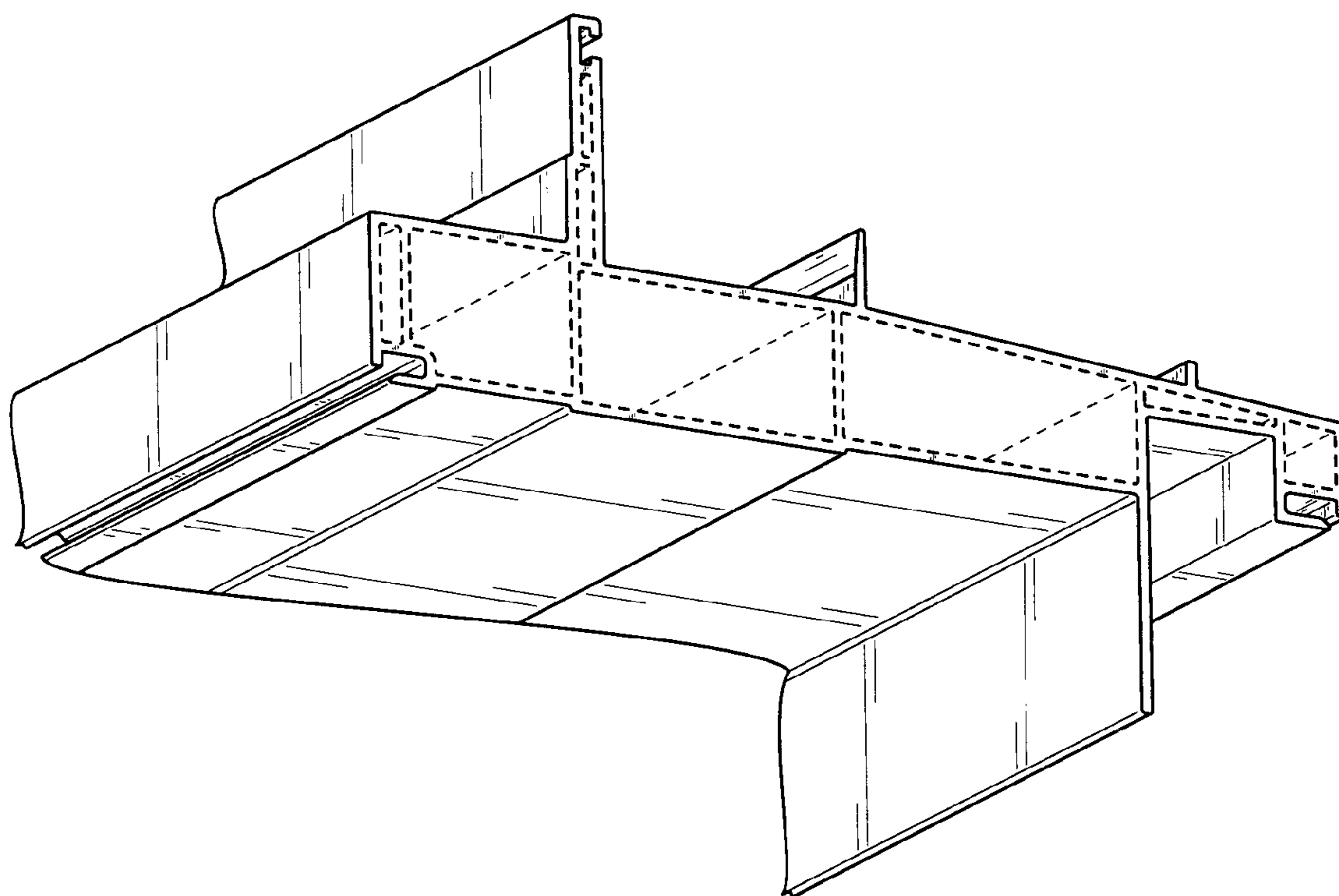


FIG. 2

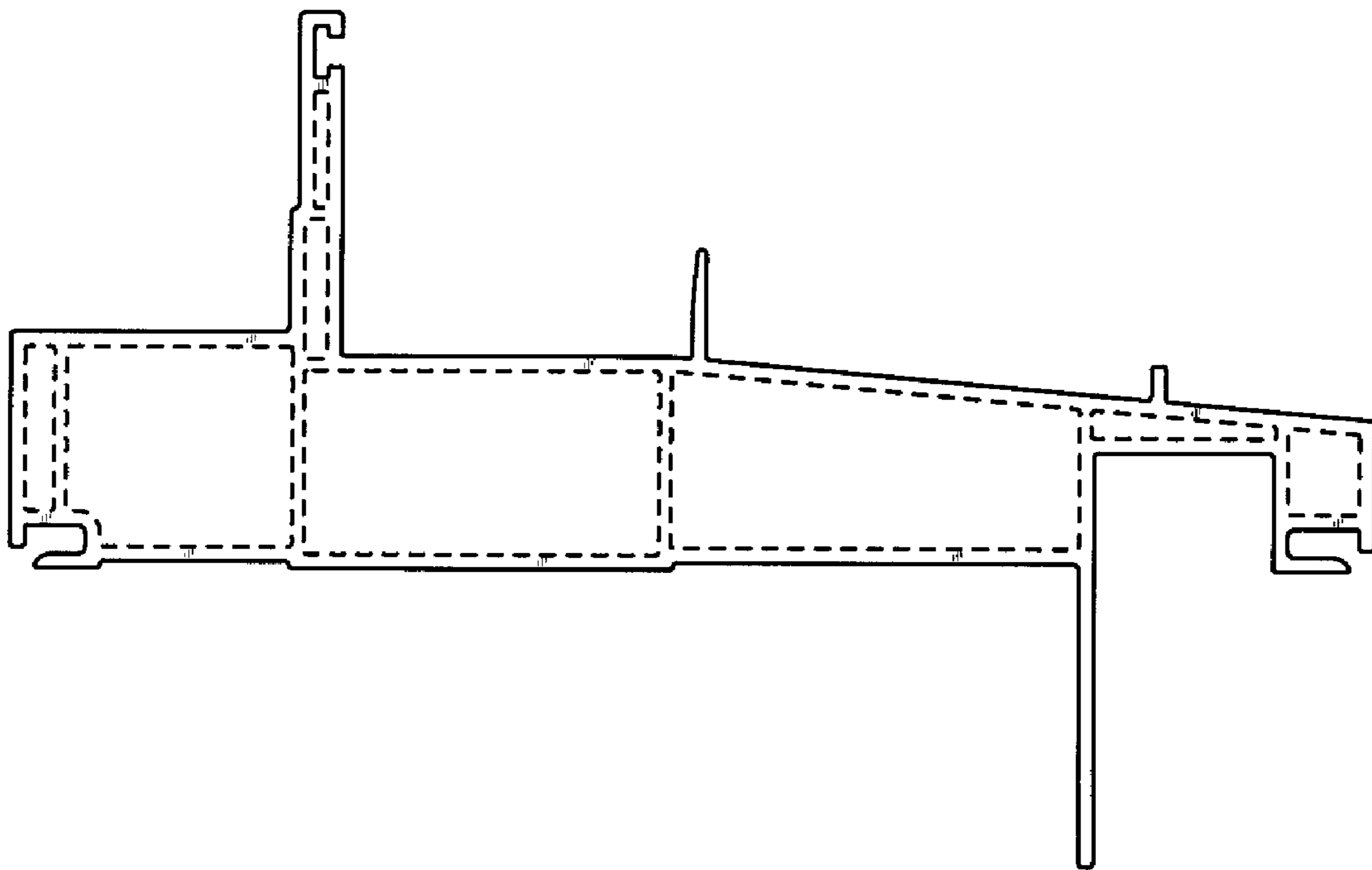


FIG. 3