



US00D594132S

(12) **United States Design Patent**
Cheetham

(10) **Patent No.:** **US D594,132 S**
(45) **Date of Patent:** **** Jun. 9, 2009**

(54) **DENTAL CAPSULE**

(75) Inventor: **Joshua James Cheetham**, Windsor (AU)

(73) Assignee: **SDI Limited**, Bayswater (AU)

(**) Term: **14 Years**

(21) Appl. No.: **29/324,427**

(22) Filed: **Sep. 11, 2008**

(51) **LOC (9) Cl.** **24-02**

(52) **U.S. Cl.** **D24/224**

(58) **Field of Classification Search** D24/155,
D24/156, 107, 176, 180, 181, 182, 152, 154,
D24/147, 146, 224; 433/173, 176, 49, 70,
433/168.1, 141, 142, 102, 38, 39, 40, 47;
D8/387, 388, 393, 90, 94, 307; D29/108,
D29/100; 128/859, 861, 862; 72/68, 299,
72/316; D15/126, 139; D28/65; 606/80;
D13/171; 206/63.5

See application file for complete search history.

(56) **References Cited**

U.S. PATENT DOCUMENTS

D56,181 S * 8/1920 Lewis D24/176
D225,997 S * 1/1973 Blondo D24/152
D243,628 S * 3/1977 Biondo D24/224
D251,386 S * 3/1979 Leonard D24/147
D255,836 S * 7/1980 Weissenburger D24/224

D258,762 S * 3/1981 Corrigan et al. D24/224
D269,371 S * 6/1983 Leonard D24/147
D275,570 S * 9/1984 Siden D15/126
D334,427 S * 3/1993 Palazzolo et al. D24/176
D342,315 S * 12/1993 Gordon D24/147
D397,438 S * 8/1998 Nakanishi D24/152
D416,029 S * 11/1999 Cosic D15/139
5,979,643 A * 11/1999 Blonder et al. 206/63.5
D561,907 S * 2/2008 Py et al. D24/224
D570,886 S * 6/2008 Chiang D15/139

* cited by examiner

Primary Examiner—Charles A Rademaker

(74) *Attorney, Agent, or Firm*—William H. Holt

(57) **CLAIM**

The ornamental design for a dental capsule, as shown and described.

DESCRIPTION

FIG. 1 is a front perspective view of a dental capsule showing my new design;

FIG. 2 is a side elevation thereof shown on a slightly reduced scale;

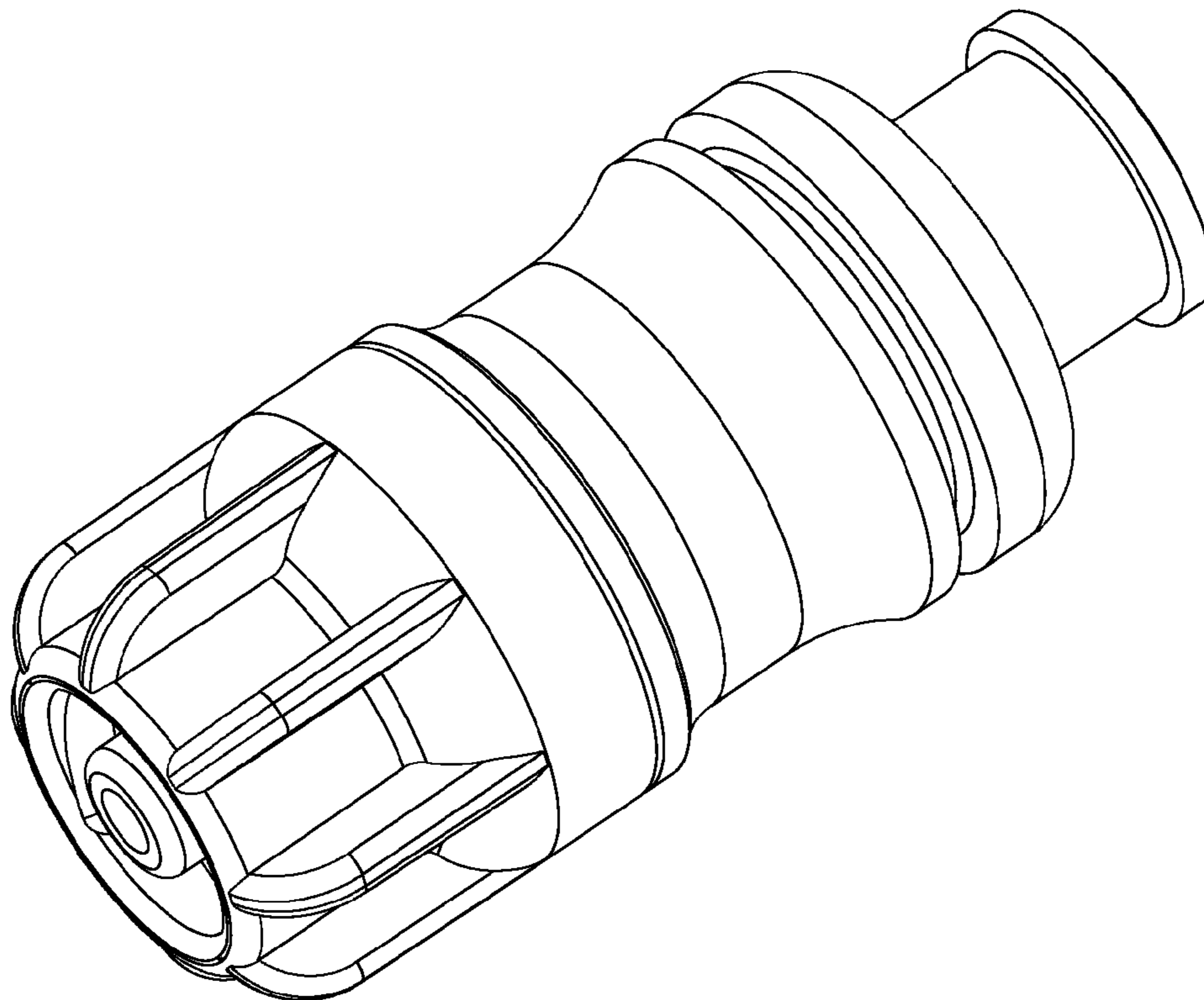
FIG. 3 is a bottom plan view thereof;

FIG. 4 is a top plan view thereof;

FIG. 5 is a rear elevation thereof; and,

FIG. 6 is a front elevation thereof.

1 Claim, 2 Drawing Sheets



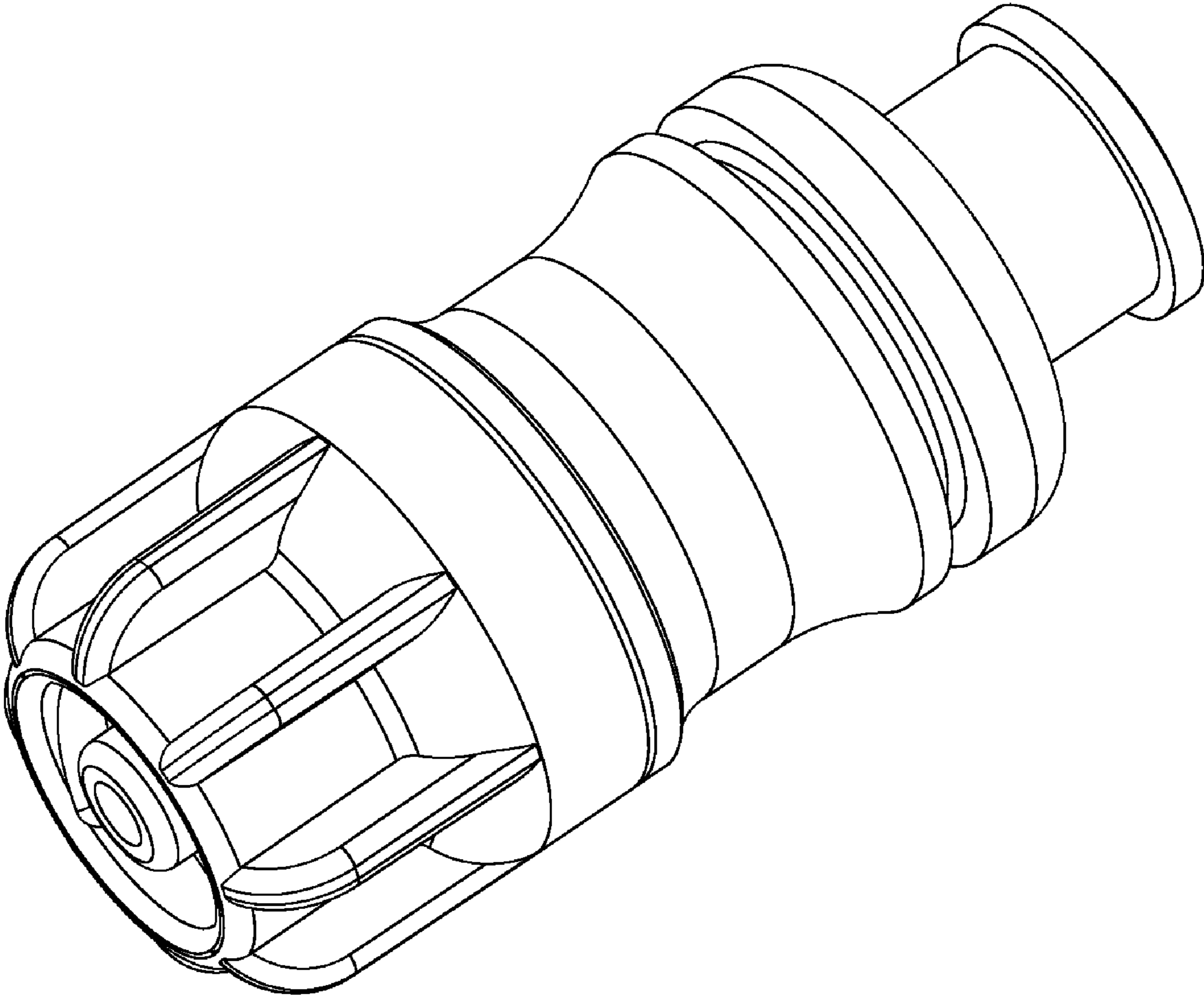


Figure 1

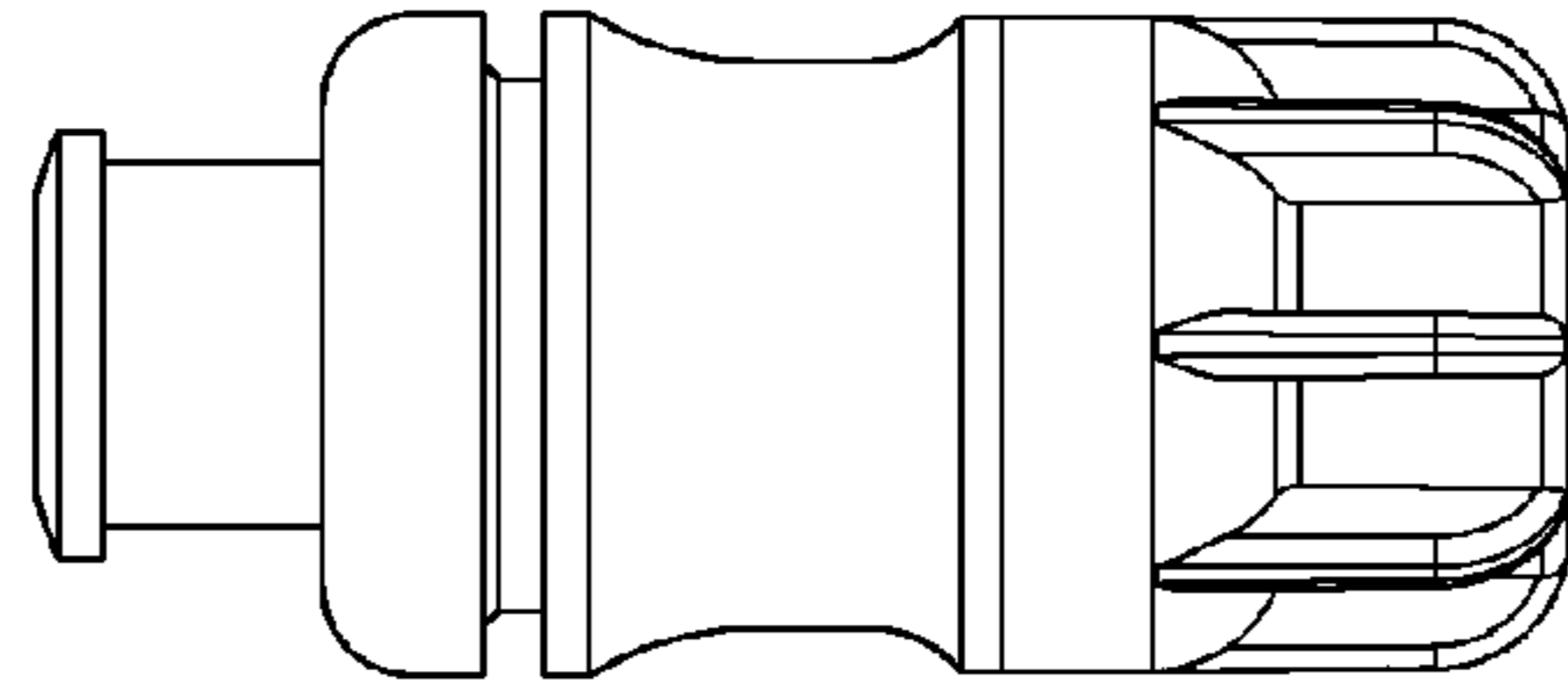


Figure 4

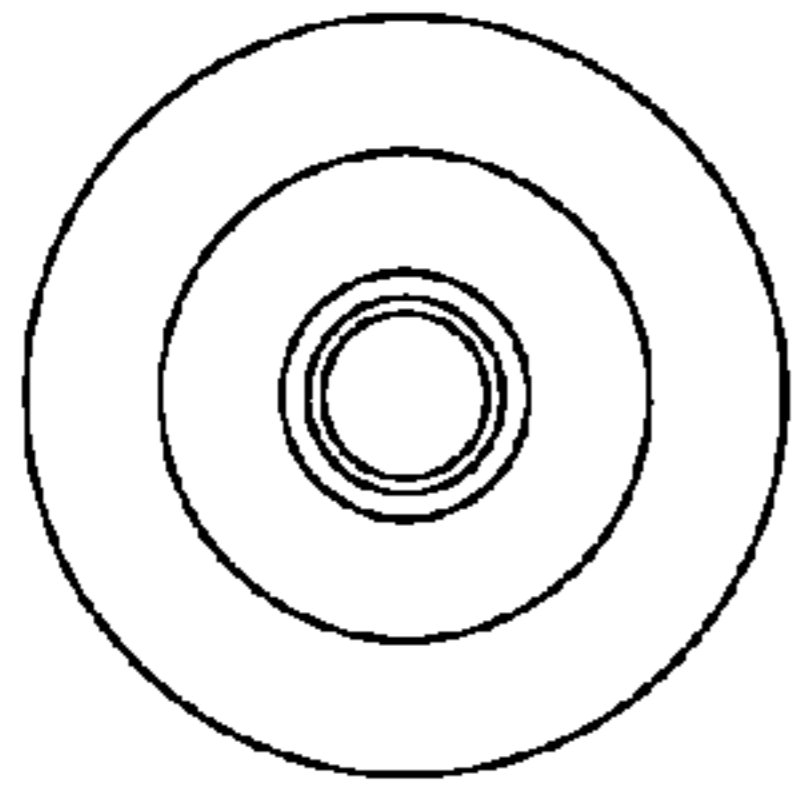


Figure 5

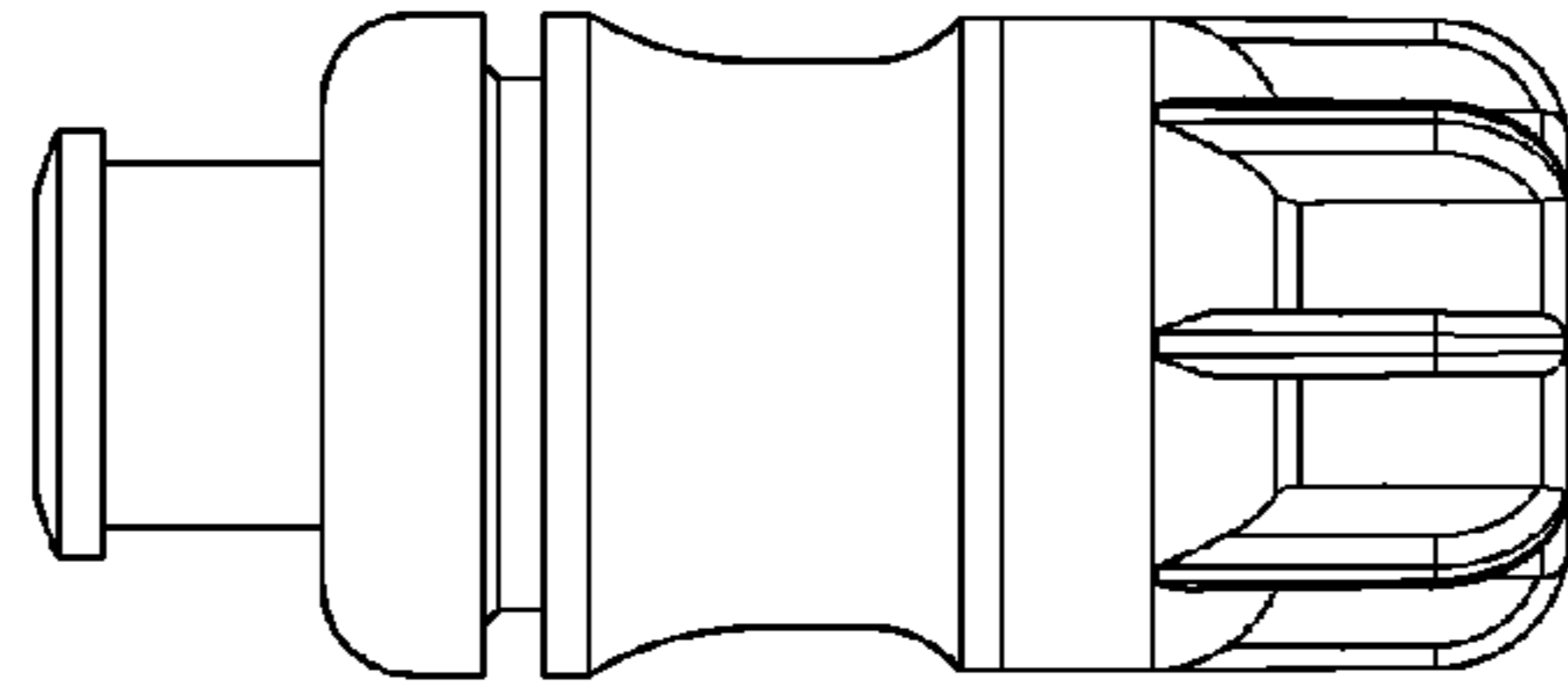


Figure 2

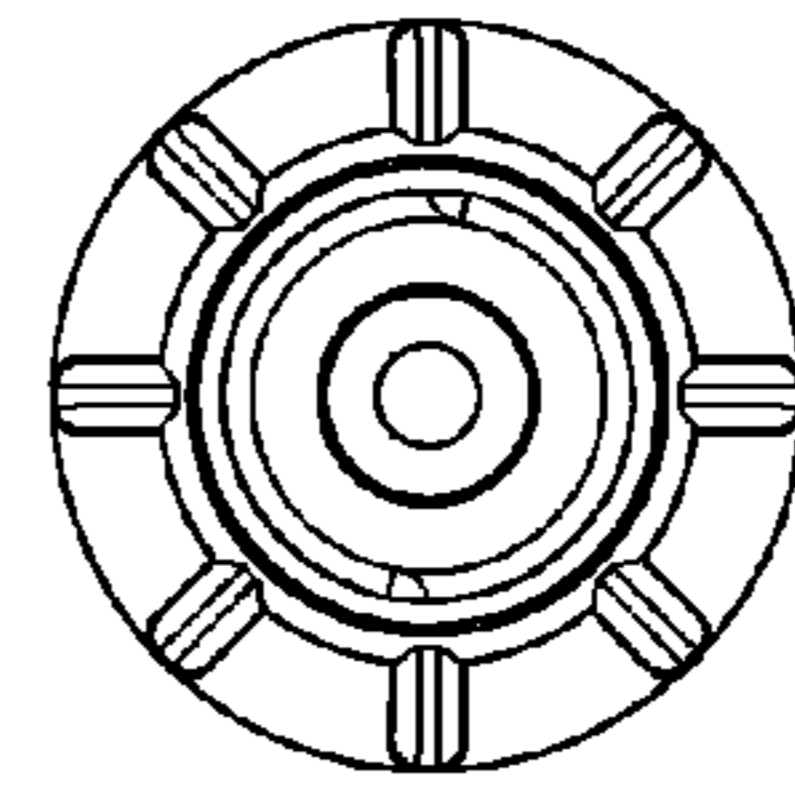


Figure 6

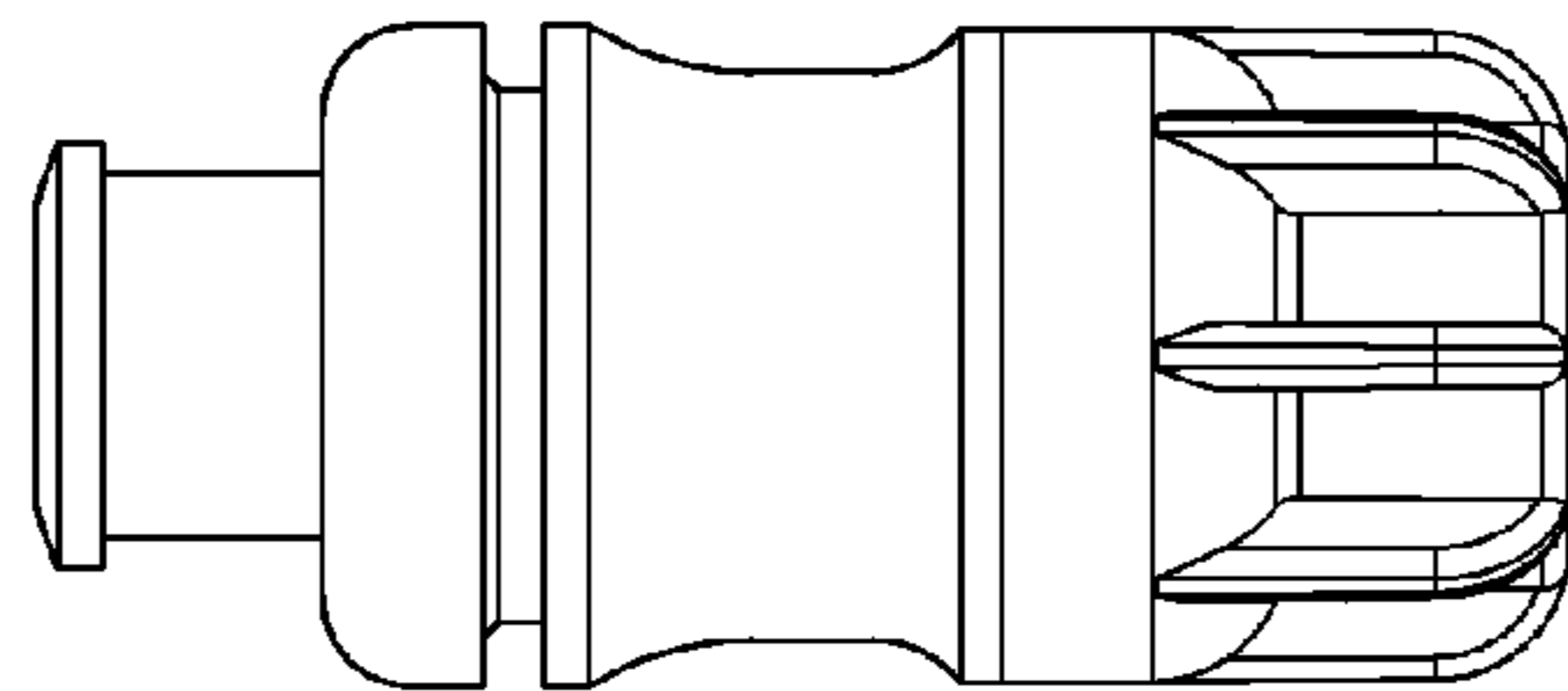


Figure 3