

US00D594129S

(12) **United States Design Patent**
Huff et al.

(10) **Patent No.:** **US D594,129 S**
(45) **Date of Patent:** **** Jun. 9, 2009**

(54) **SPA JET**

(75) Inventors: **Bryan D. Huff**, Point Richmond, CA (US); **Ian P. A. Scali**, Ontario, CA (US); **Erica A. Moir**, Santa Ana, CA (US); **Mark Brosius**, Emerald Hills, CA (US)

(73) Assignee: **Sundance Spas, Inc.**, Chino, CA (US)

(**) Term: **14 Years**

(21) Appl. No.: **29/329,061**

(22) Filed: **Dec. 8, 2008**

Related U.S. Application Data

(62) Division of application No. 29/296,646, filed on Oct. 25, 2007.

(51) **LOC (9) Cl.** **24-02**

(52) **U.S. Cl.** **D24/201**

(58) **Field of Classification Search** D24/201,
D24/204, 205; D23/277, 213; 601/154-158;
4/541.1-541.6, 547, 578.1, 579
See application file for complete search history.

(56) **References Cited**

U.S. PATENT DOCUMENTS

4,261,347 A * 4/1981 Spencer et al. 4/541.6
D320,086 S * 9/1991 Moeller D24/204

D460,192 S * 7/2002 Collins et al. D24/204
D530,018 S * 10/2006 Loyd D24/201
D531,730 S * 11/2006 Loyd D24/201
D573,715 S * 7/2008 Holtsnider et al. D24/201
D574,501 S * 8/2008 Holtsnider et al. D24/201
D574,964 S * 8/2008 Holtsnider et al. D24/201

* cited by examiner

Primary Examiner—Cathron C Brooks

Assistant Examiner—Melanie Levy

(74) *Attorney, Agent, or Firm*—The Webb Law Firm

(57) **CLAIM**

The ornamental design for a spa jet, as shown and described.

DESCRIPTION

FIG. 1 is a perspective view of a spa jet showing our new design;

FIG. 2 is a side elevational view thereof;

FIG. 3 is an opposing side elevational view thereof;

FIG. 4 is a top plan view thereof;

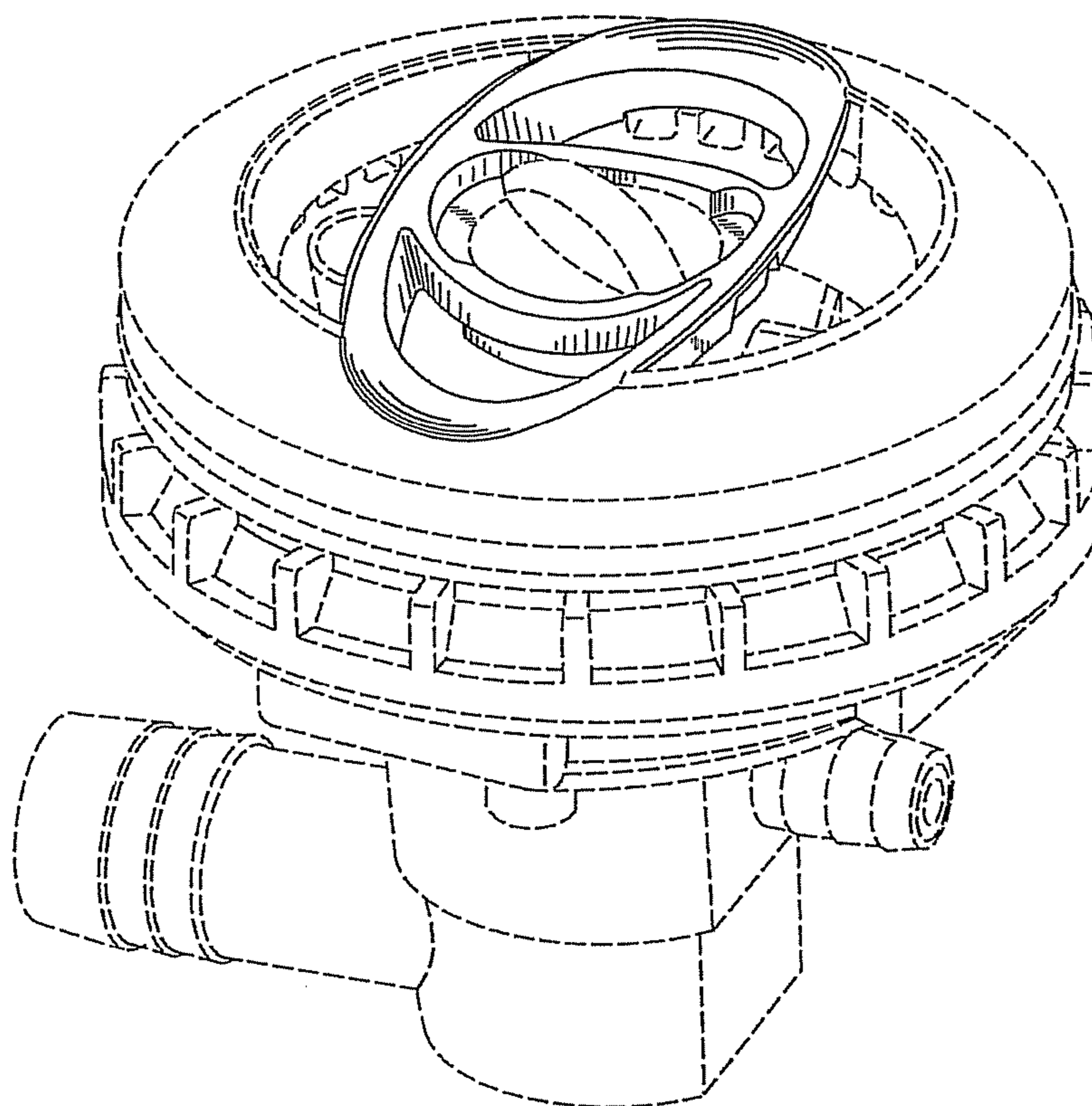
FIG. 5 is a bottom plan view thereof;

FIG. 6 is a rear elevational view thereof; and,

FIG. 7 is a front elevational view thereof.

The broken line portions of the disclosure are for illustrative purposes only and form no part of the claimed designs.

1 Claim, 7 Drawing Sheets



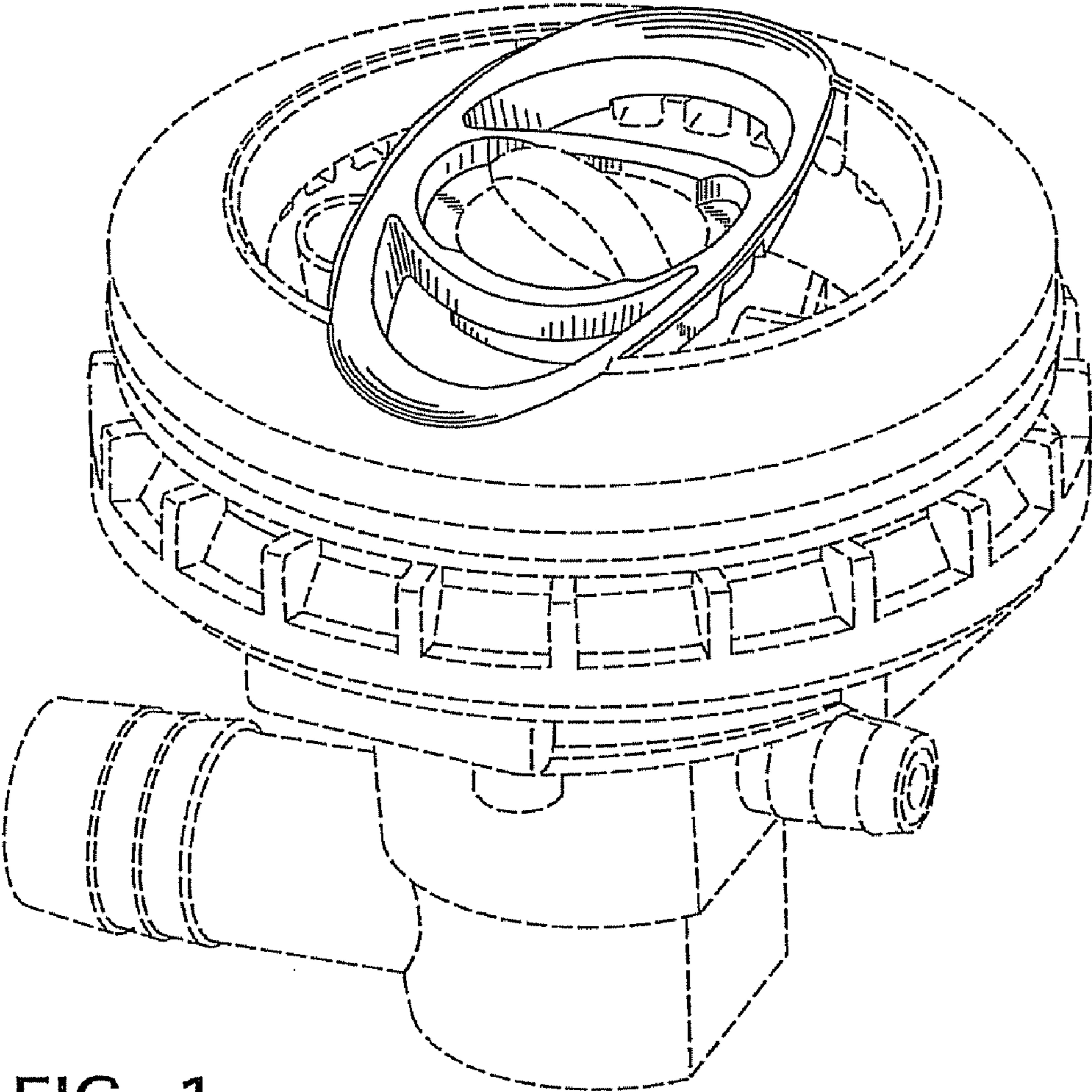


FIG. 1

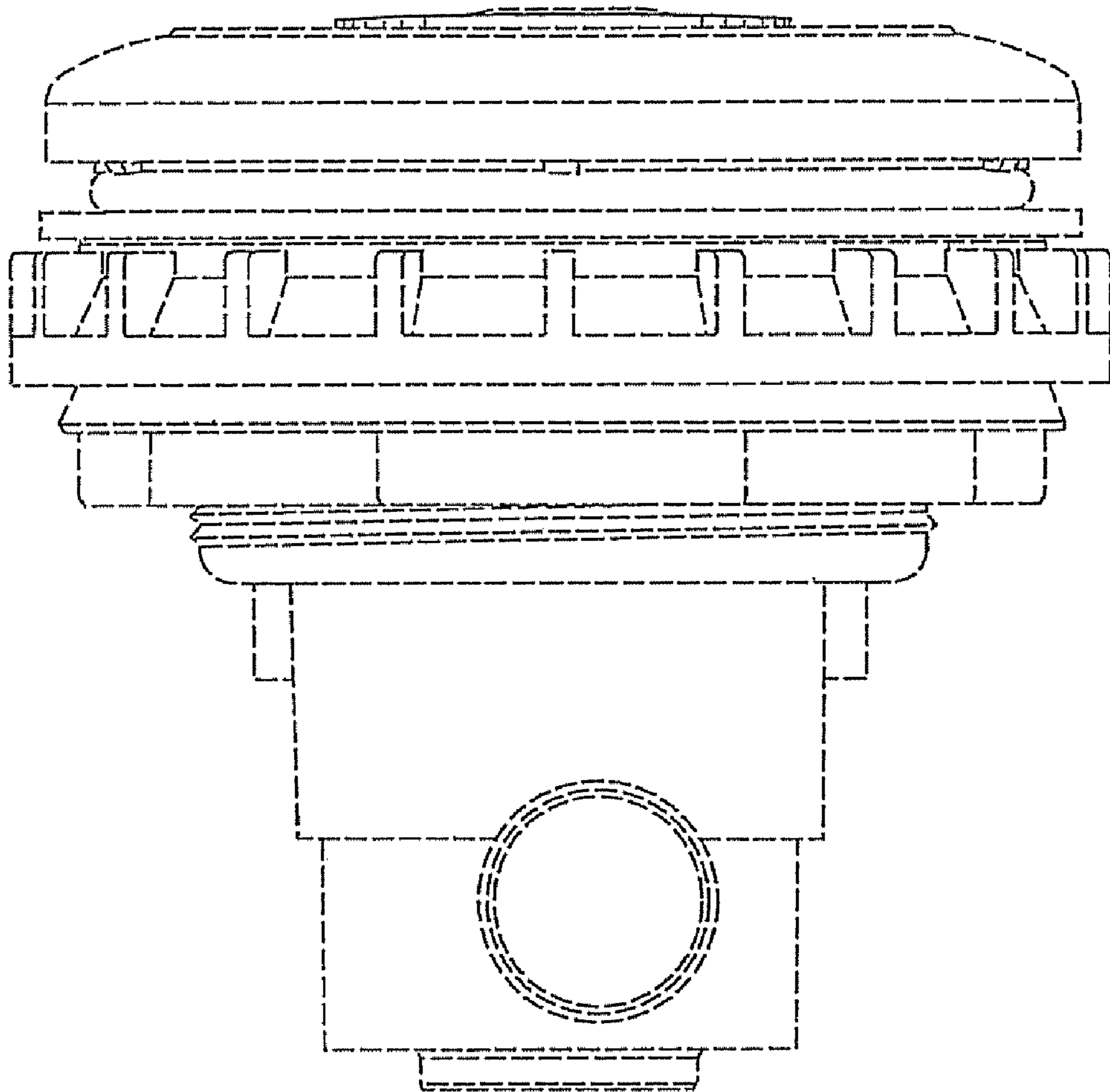


FIG. 2

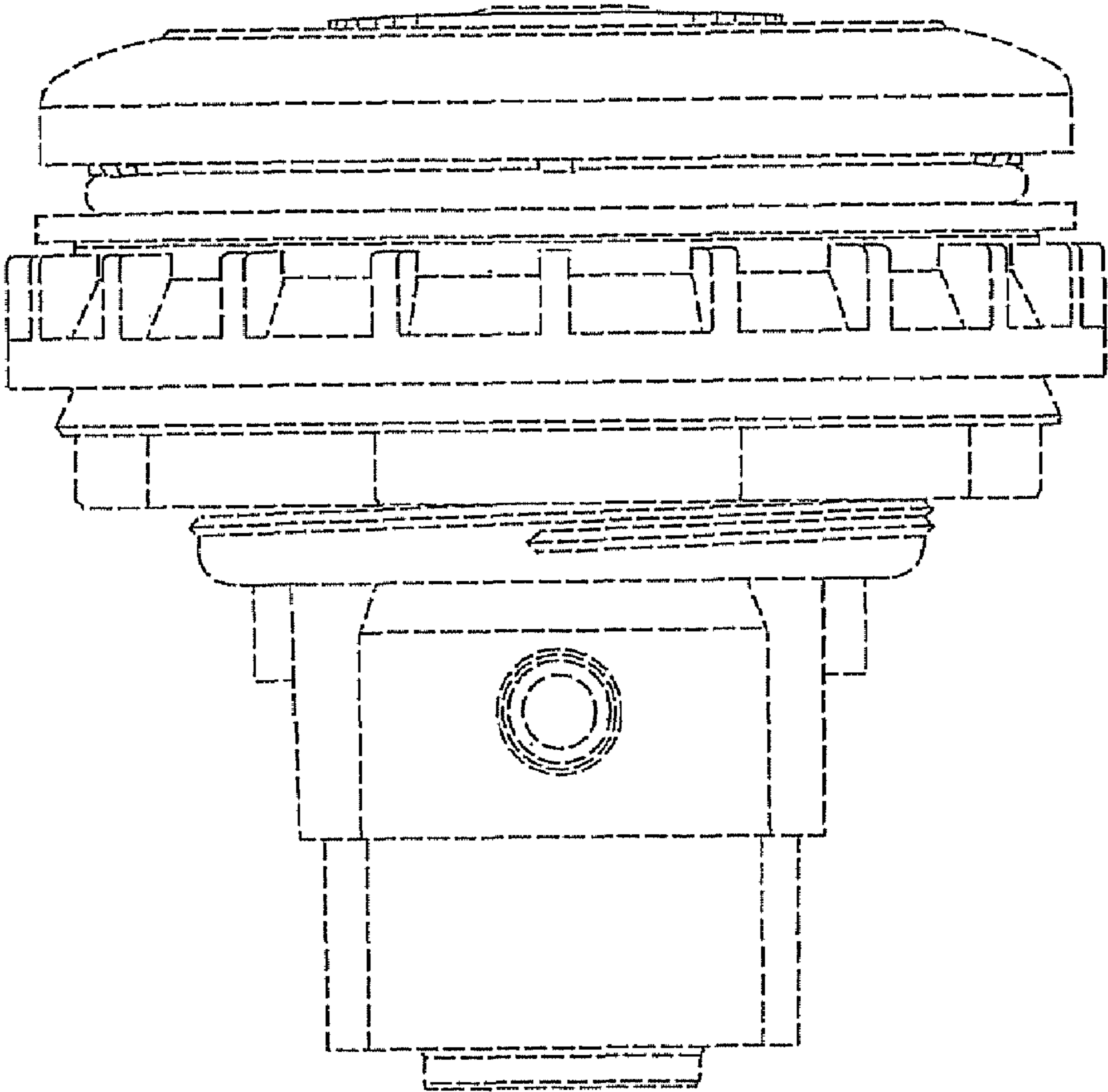


FIG. 3

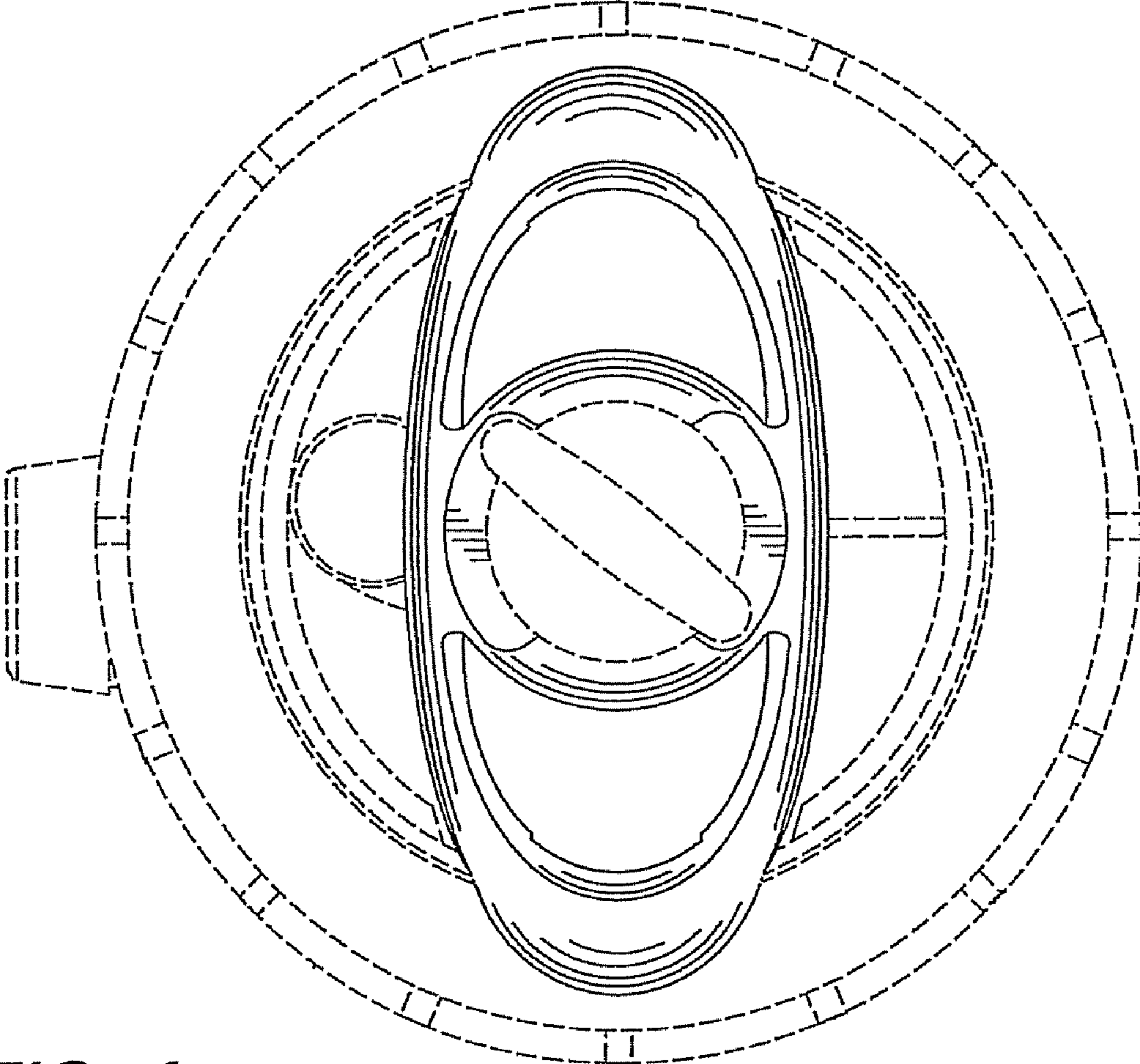


FIG. 4

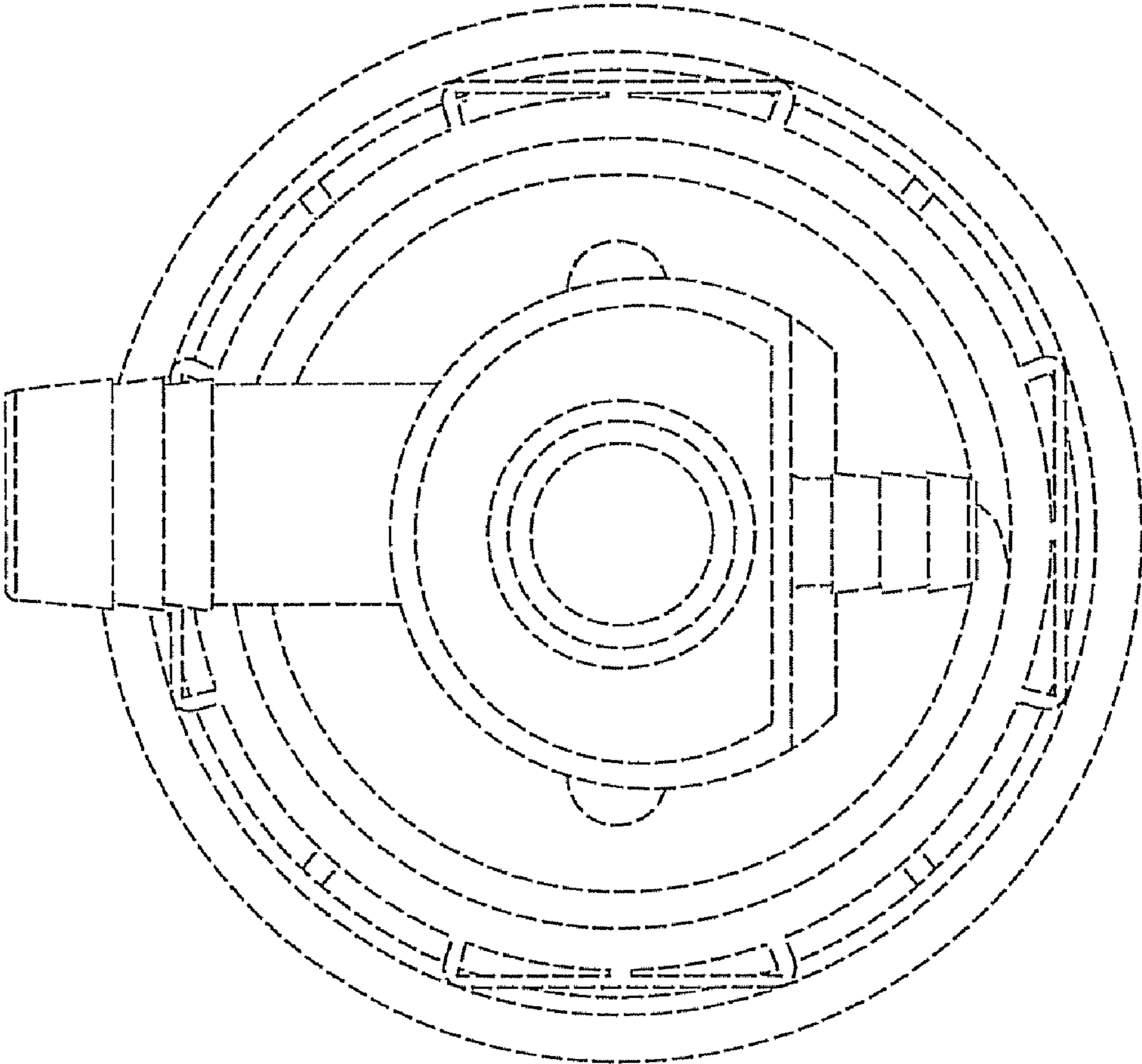


FIG. 5

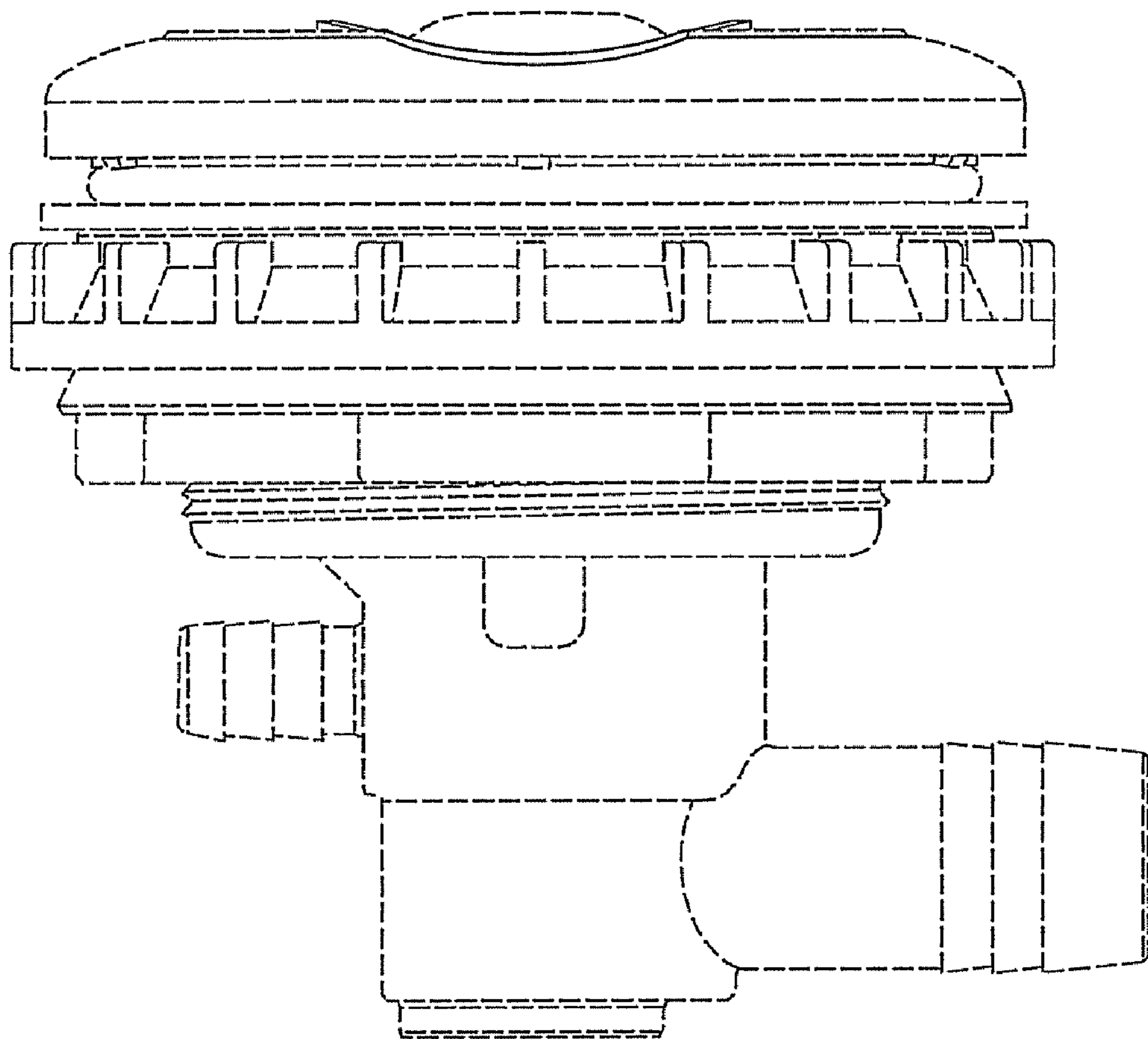


FIG. 6

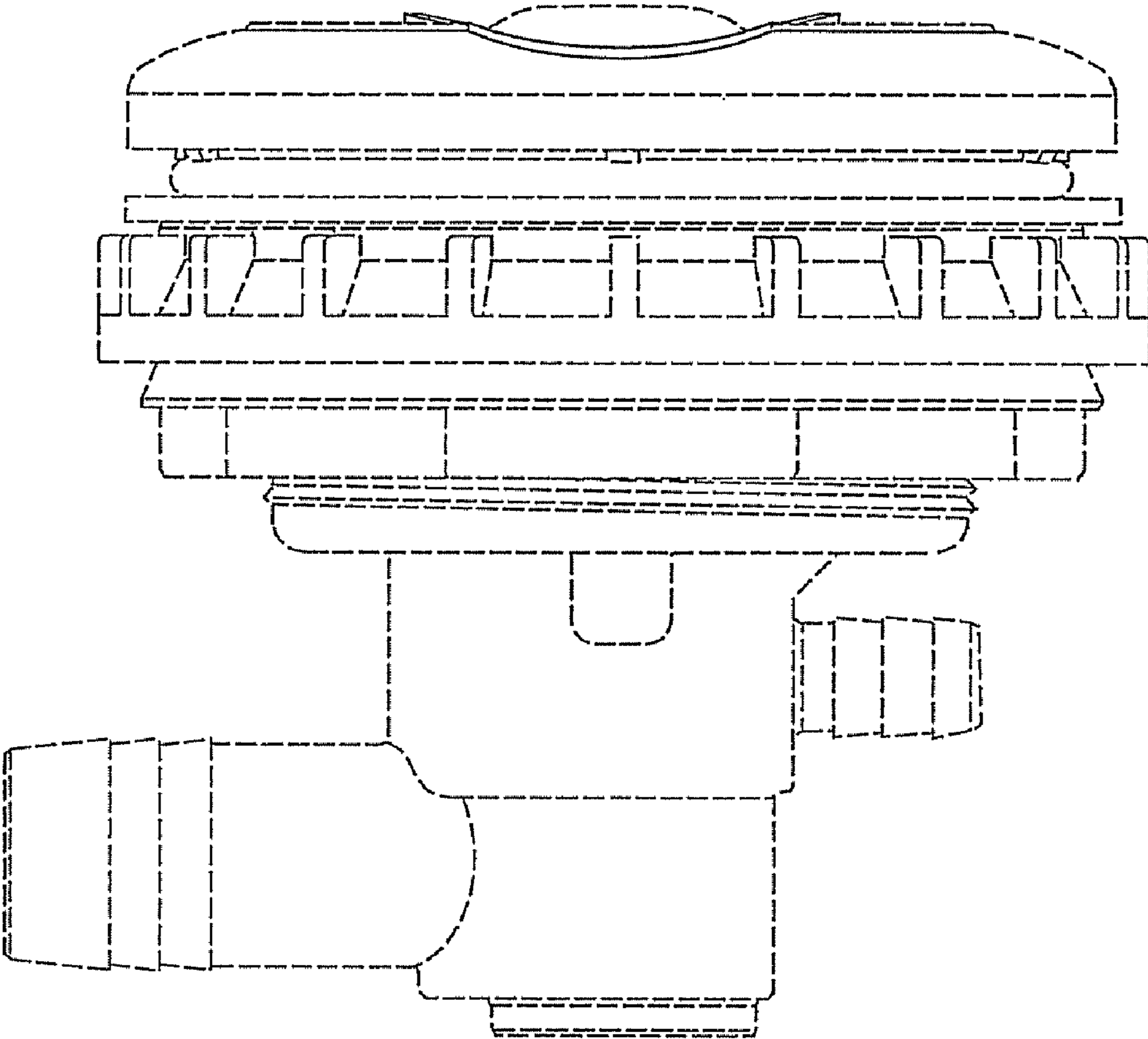


FIG. 7