



US00D594126S

(12) **United States Design Patent**
Tamburrino et al.

(10) **Patent No.:** **US D594,126 S**
(45) **Date of Patent:** **** Jun. 9, 2009**

(54) **SURGICAL ILLUMINATOR**

(75) Inventors: **Richard Tamburrino**, Auburn, NY
(US); **Chris Roberts**, Skaneateles, NY
(US); **David Tufenkjian**, Marcellus, NY
(US); **Todd Abernethy**, Skaneateles, NY
(US)

(73) Assignee: **Welch Allyn Inc.**, Skaneateles Falls, NY
(US)

(**) Term: **14 Years**

(21) Appl. No.: **29/304,078**

(22) Filed: **Feb. 25, 2008**

Related U.S. Application Data

(62) Division of application No. 29/282,981, filed on Aug. 3, 2007, now Pat. No. Des. 567,382.

(51) **LOC (9) Cl.** **24-01**

(52) **U.S. Cl.** **D24/185**

(58) **Field of Classification Search** D24/137-138,
D24/152, 185, 231; D13/101, 133, 137.2,
D13/146, 156, 199; D26/27; 128/342, 478;
385/53; 362/551-552, 572; 606/2, 15, 16
See application file for complete search history.

(56) **References Cited**

U.S. PATENT DOCUMENTS

D202,552 S * 10/1965 Rose D24/137
D328,151 S * 7/1992 Feinbloom D26/27
D328,155 S * 7/1992 Feinbloom D26/27
D344,490 S * 2/1994 Nociar D13/146

D349,340 S * 8/1994 Snoke et al. D24/137
D361,313 S * 8/1995 Sai et al. D13/156
D367,644 S * 3/1996 Fukao et al. D13/146
D393,830 S * 4/1998 Tobler et al. D13/133
6,007,255 A * 12/1999 Krauter et al. 385/53
D450,845 S * 11/2001 Becker D24/152
D519,457 S * 4/2006 Pinson D13/137.2
D567,382 S * 4/2008 Tamburrino et al. D24/185
D583,061 S * 12/2008 Tamburrino et al. D24/185

* cited by examiner

Primary Examiner—Robert A. Delehanty

Assistant Examiner—Mark Cavanna

(74) *Attorney, Agent, or Firm*—Hiscock & Barclay, LLP

(57) **CLAIM**

The ornamental design for surgical illuminator, as shown and described.

DESCRIPTION

FIG. 1 is a first broken away isometric view of a surgical illuminator showing my new design;

FIG. 2 is a second broken away isometric view thereof;

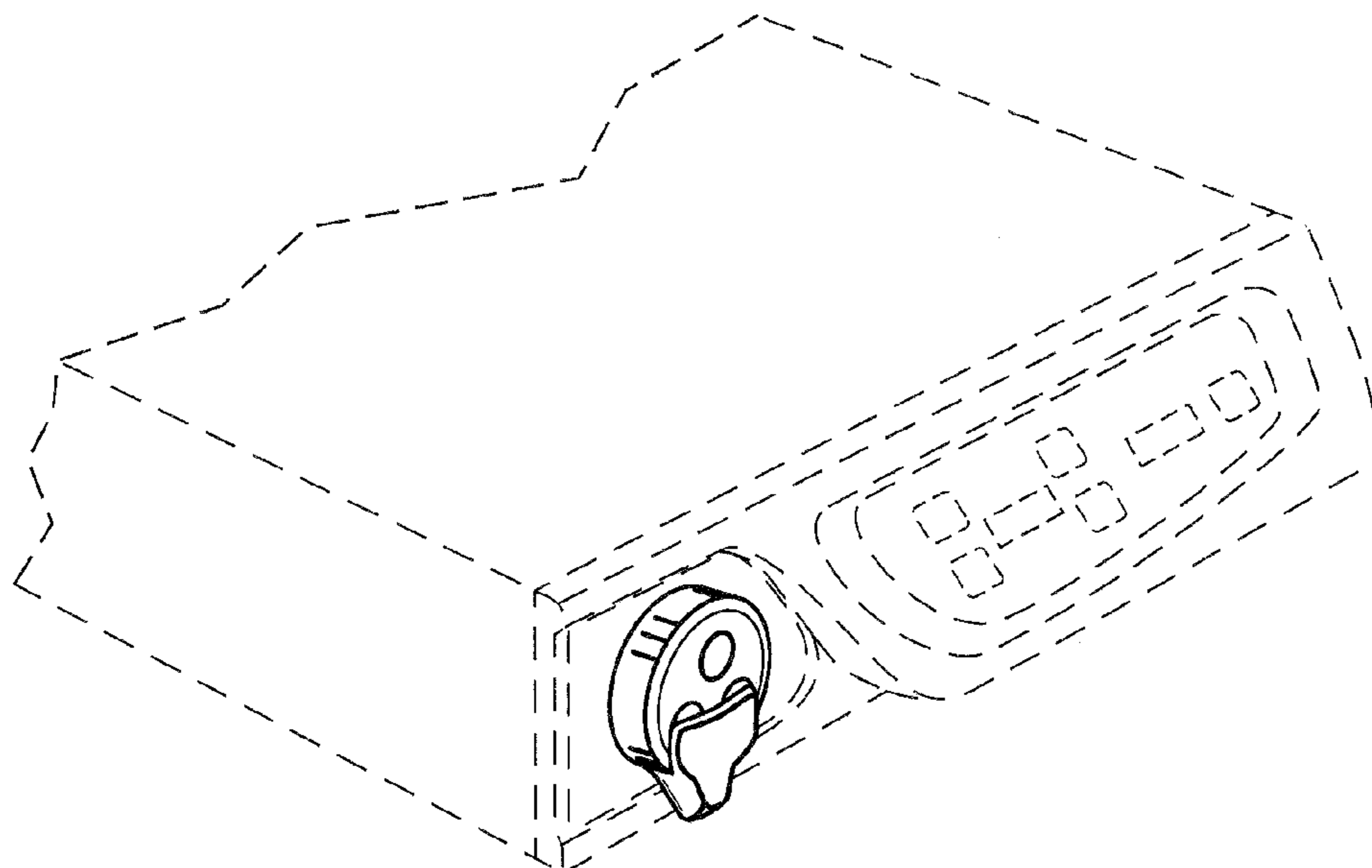
FIG. 3 is a broken away front view thereof;

FIG. 4 is a broken away side view looking in the direction indicated by line 4—4 in FIG. 3; and,

FIG. 5 is a broken away side view looking in the direction indicated by line 5—5 in FIG. 3.

The display face of the surgical illuminator (shown in FIGS. 1-3) and body of the surgical illuminator (shown in FIGS. 1-5) are shown in broken (dashed) lines for illustrative purposes only and form no part of the claimed designs.

1 Claim, 3 Drawing Sheets



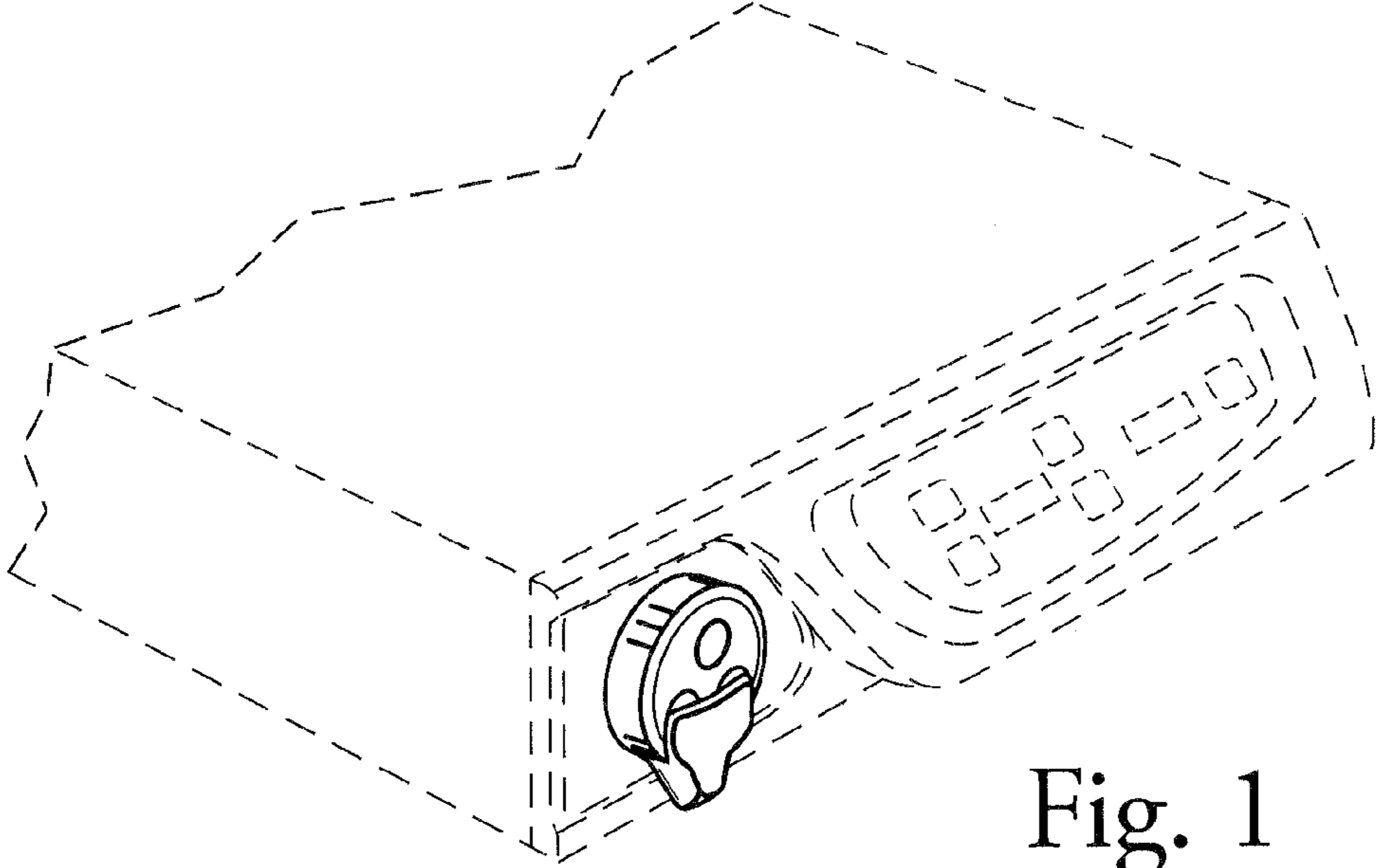


Fig. 1

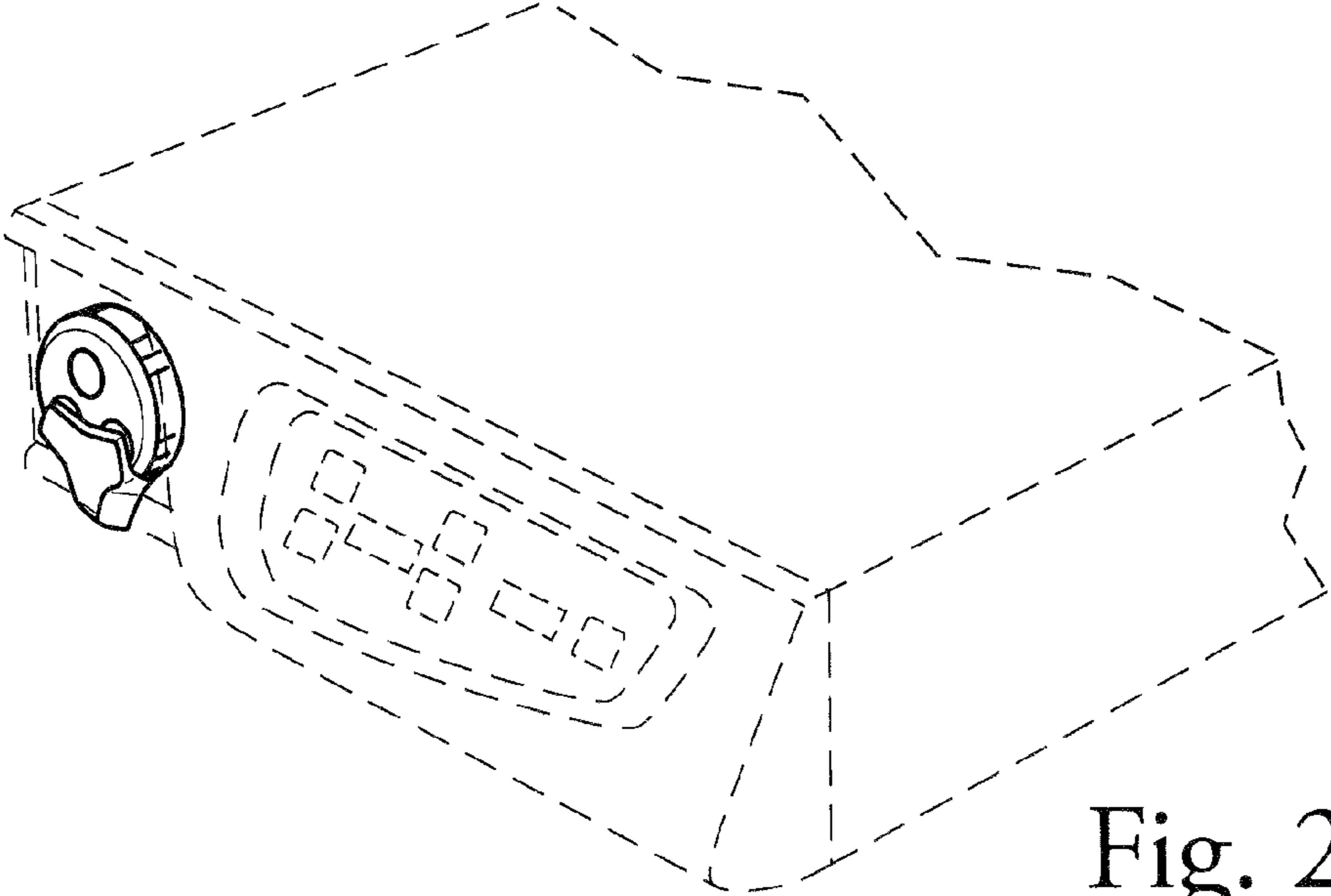


Fig. 2

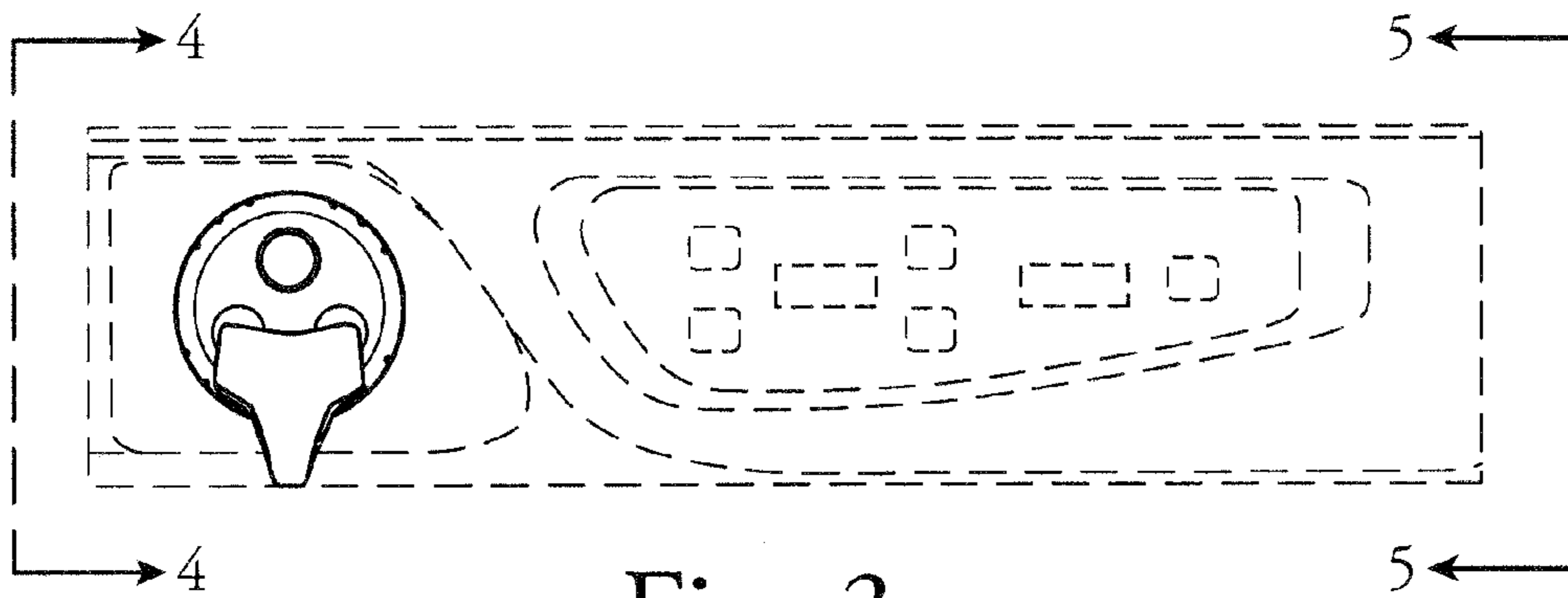


Fig. 3

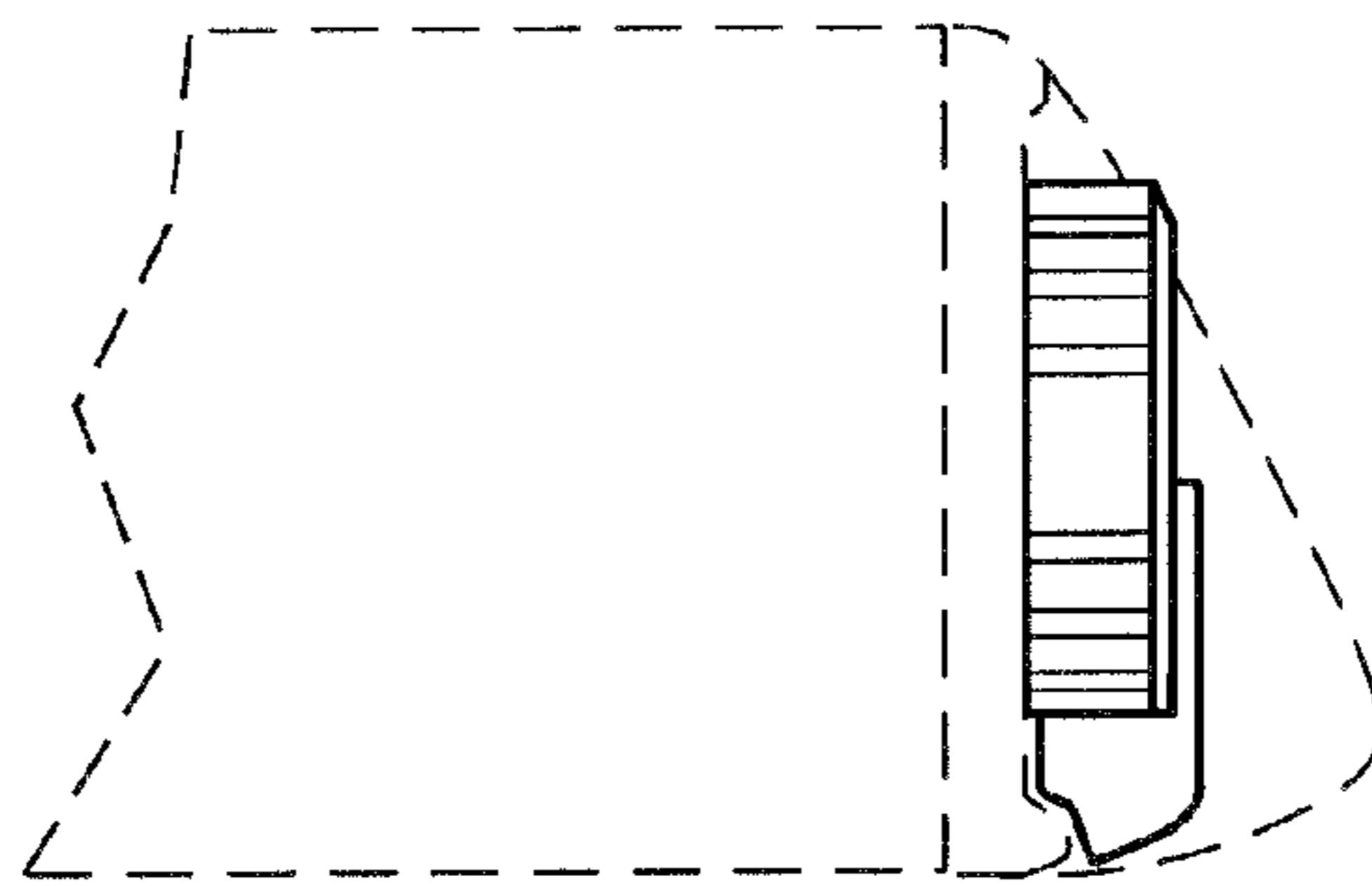


Fig. 4

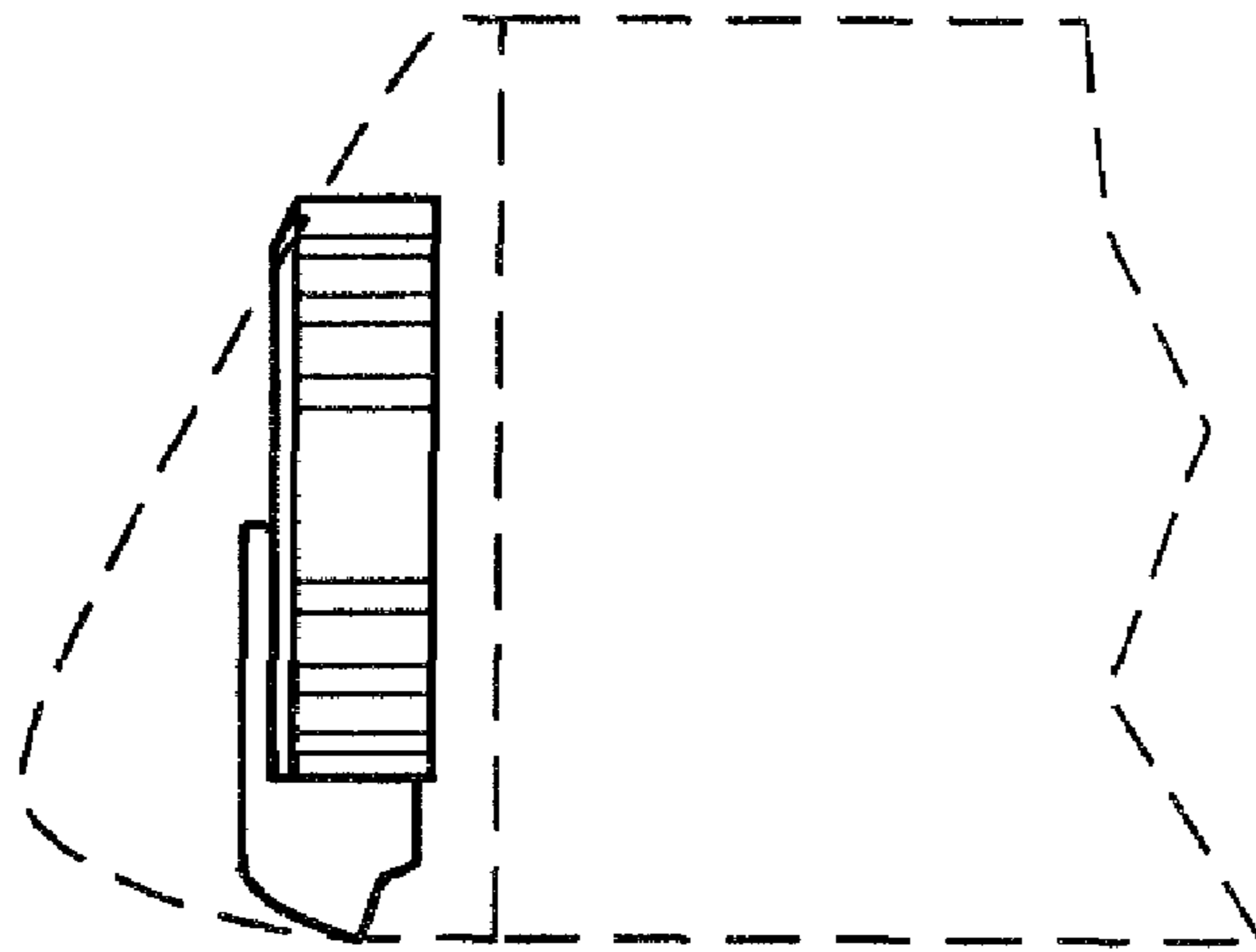


Fig. 5