



US00D594125S

(12) **United States Design Patent**  
**Lesniak**

(10) **Patent No.:** **US D594,125 S**  
(45) **Date of Patent:** **\*\* Jun. 9, 2009**

(54) **INTEROCCLUSAL APPLIANCE**

(75) Inventor: **Frank M. Lesniak**, Media, PA (US)

(73) Assignee: **Hayloft Enterprises, Inc.**, Wilmington, DE (US)

(\*\*) Term: **14 Years**

(21) Appl. No.: **29/298,191**

(22) Filed: **Nov. 30, 2007**

(51) **LOC (9) Cl.** ..... **24-99**

(52) **U.S. Cl.** ..... **D24/181; D29/109**

(58) **Field of Classification Search** ..... D24/155,  
D24/156, 107, 176, 180, 181, 182; 433/173,  
433/176, 49, 70, 168.1; D8/387, 388, 393;  
D29/108, 100; 128/859, 861, 862

See application file for complete search history.

(56) **References Cited**

**U.S. PATENT DOCUMENTS**

2,750,941	A	6/1956	Cathcart	
3,234,942	A *	2/1966	Simor	D24/176
3,312,218	A *	4/1967	Jacobs	128/862
3,333,582	A *	8/1967	Cathcart	128/862
D215,685	S *	10/1969	Helmer	D29/108
3,924,638	A	12/1975	Mann	
D302,724	S *	8/1989	Huffman	D24/181
5,562,106	A	10/1996	Heeke et al.	
5,566,684	A	10/1996	Wagner	
5,826,581	A	10/1998	Yoshida et al.	
5,836,761	A	11/1998	Belvedere et al.	
D406,405	S *	3/1999	Yoshida	D29/108
5,879,155	A	3/1999	Kittelsen	
6,302,110	B1	10/2001	Yoshida et al.	
6,371,758	B1	4/2002	Kittelsen	
6,491,036	B2	12/2002	Cook	
6,691,710	B2	2/2004	Kittelsen et al.	
D492,785	S *	7/2004	Garabito	D24/181
6,820,623	B2	11/2004	Cook	

6,830,051	B1	12/2004	Lesniak et al.	
D504,744	S *	5/2005	Hidalgo et al.	D29/108
D541,481	S *	4/2007	Farrell	D29/108

**FOREIGN PATENT DOCUMENTS**

DE	1607433	U	6/1950
EP	0359135		3/1990

\* cited by examiner

*Primary Examiner*—Charles A Rademaker

(74) *Attorney, Agent, or Firm*—Connolly Bove Lodge & Hutz LLP

(57) **CLAIM**

The ornamental design for an interocclusal appliance, as shown and described.

**DESCRIPTION**

FIG. 1 is a top perspective view of an interocclusal appliance showing my new design;

FIG. 2 is a top plan view thereof;

FIG. 3 is a bottom plan view thereof;

FIG. 4 is a left side elevation thereof, the side opposite being a mirror image;

FIG. 5 is a front elevation thereof;

FIG. 6 is a rear elevation thereof;

FIG. 7 is a top perspective view of a modified embodiment of the design shown in FIGS. 1 through 6;

FIG. 8 is a top plan view thereof;

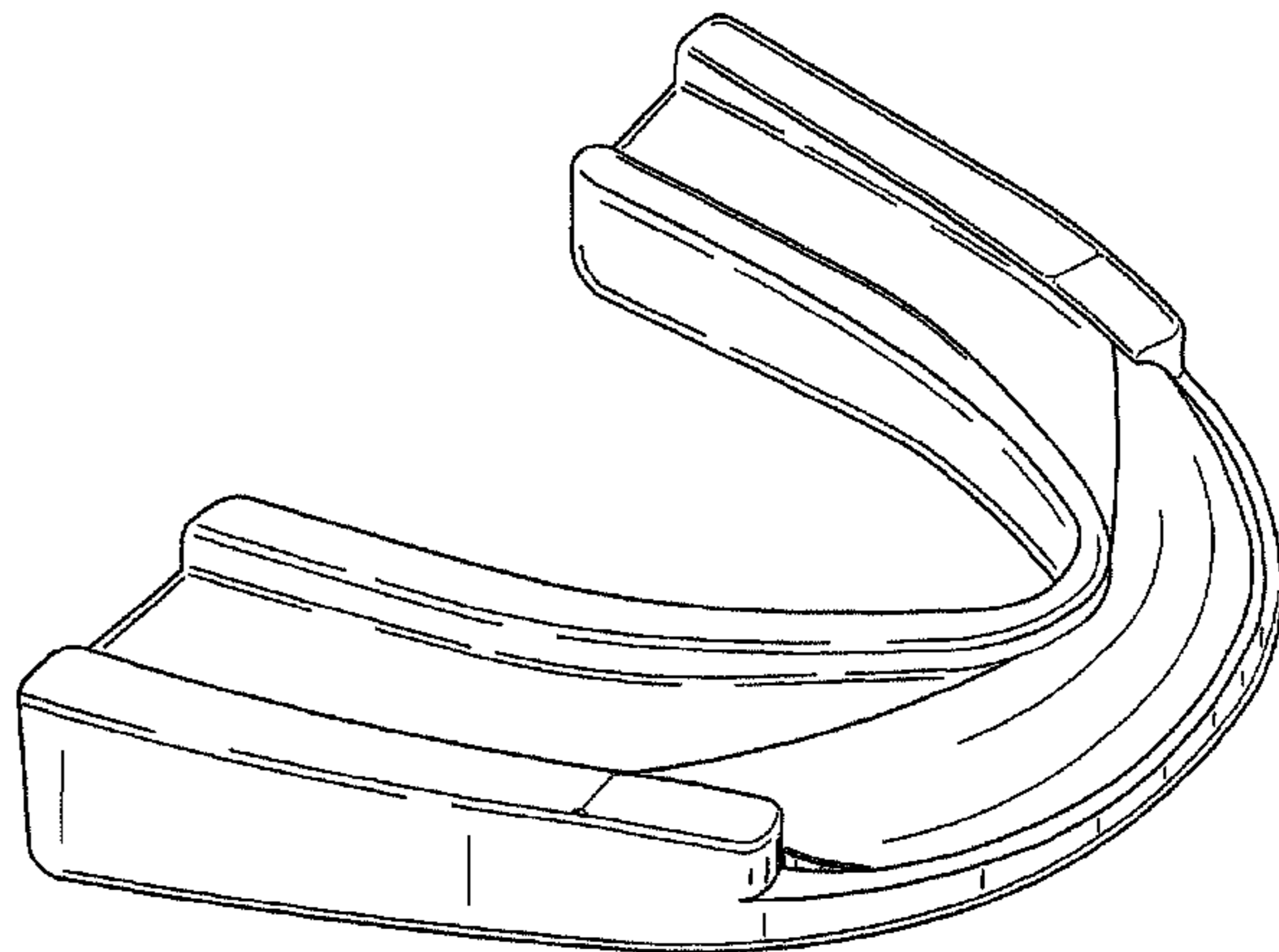
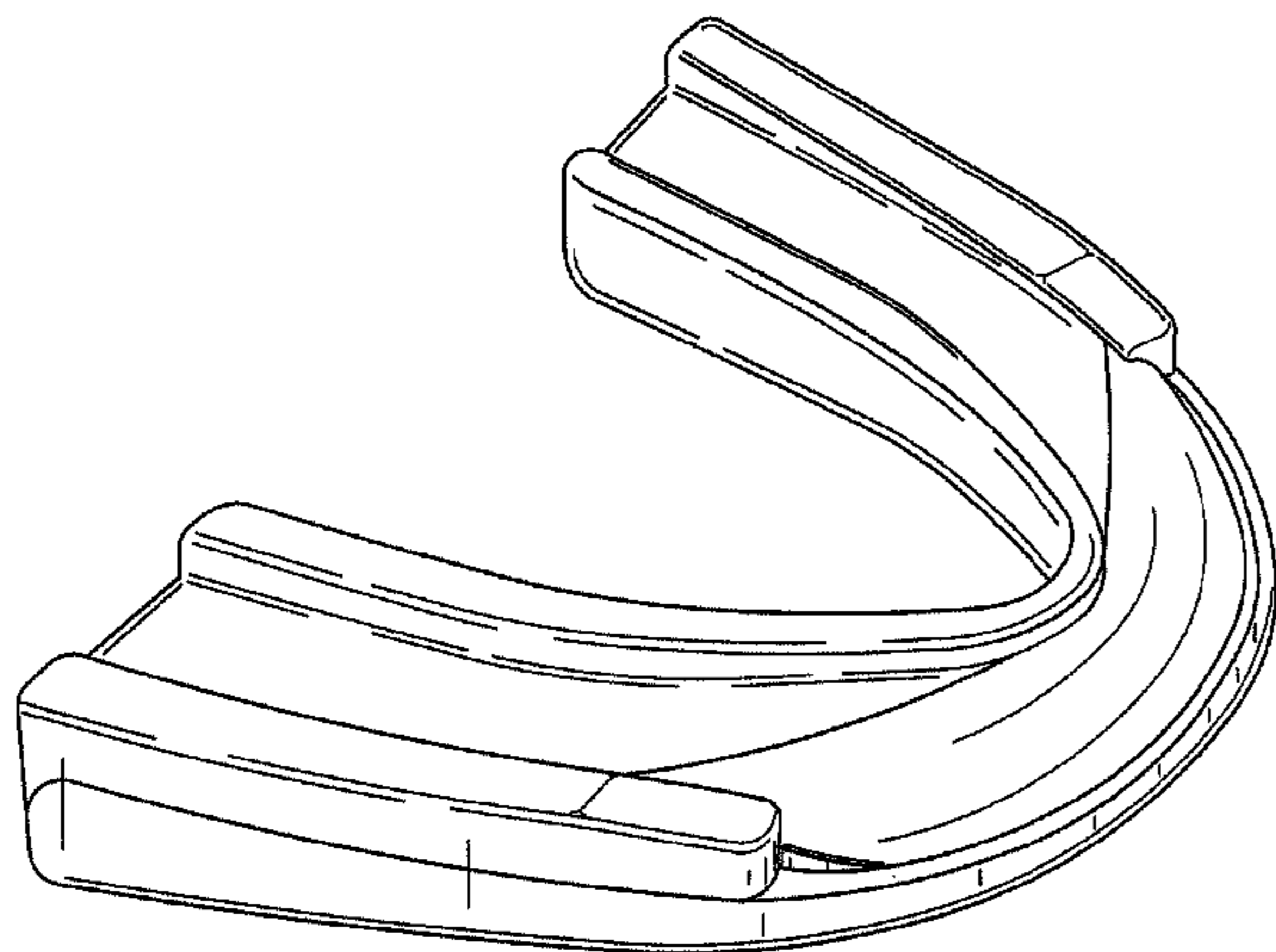
FIG. 9 is a bottom plan view thereof;

FIG. 10 is a left side elevation thereof, the side opposite being a mirror image;

FIG. 11 is a front elevation thereof; and,

FIG. 12 is a rear elevation thereof.

**1 Claim, 6 Drawing Sheets**



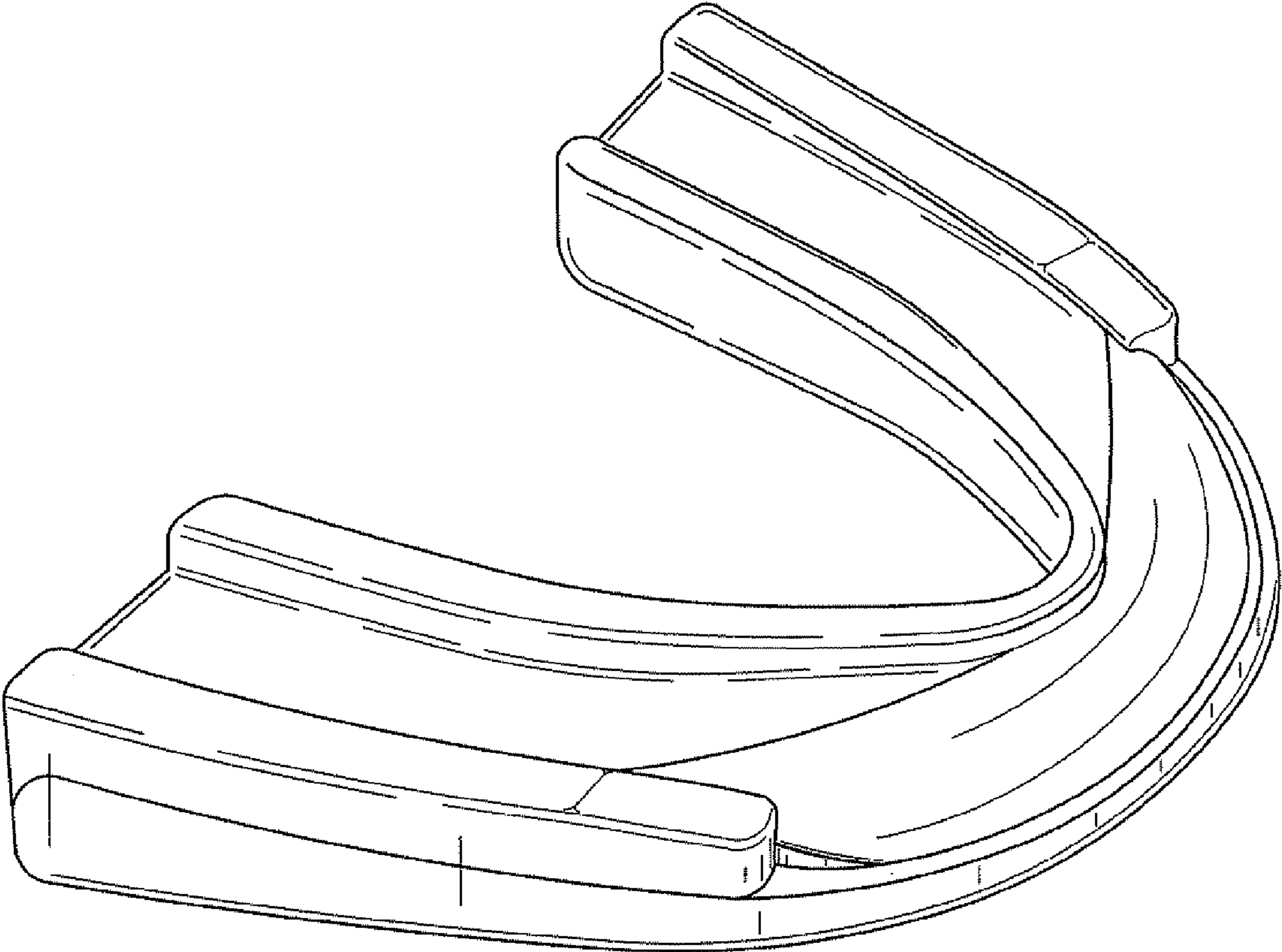
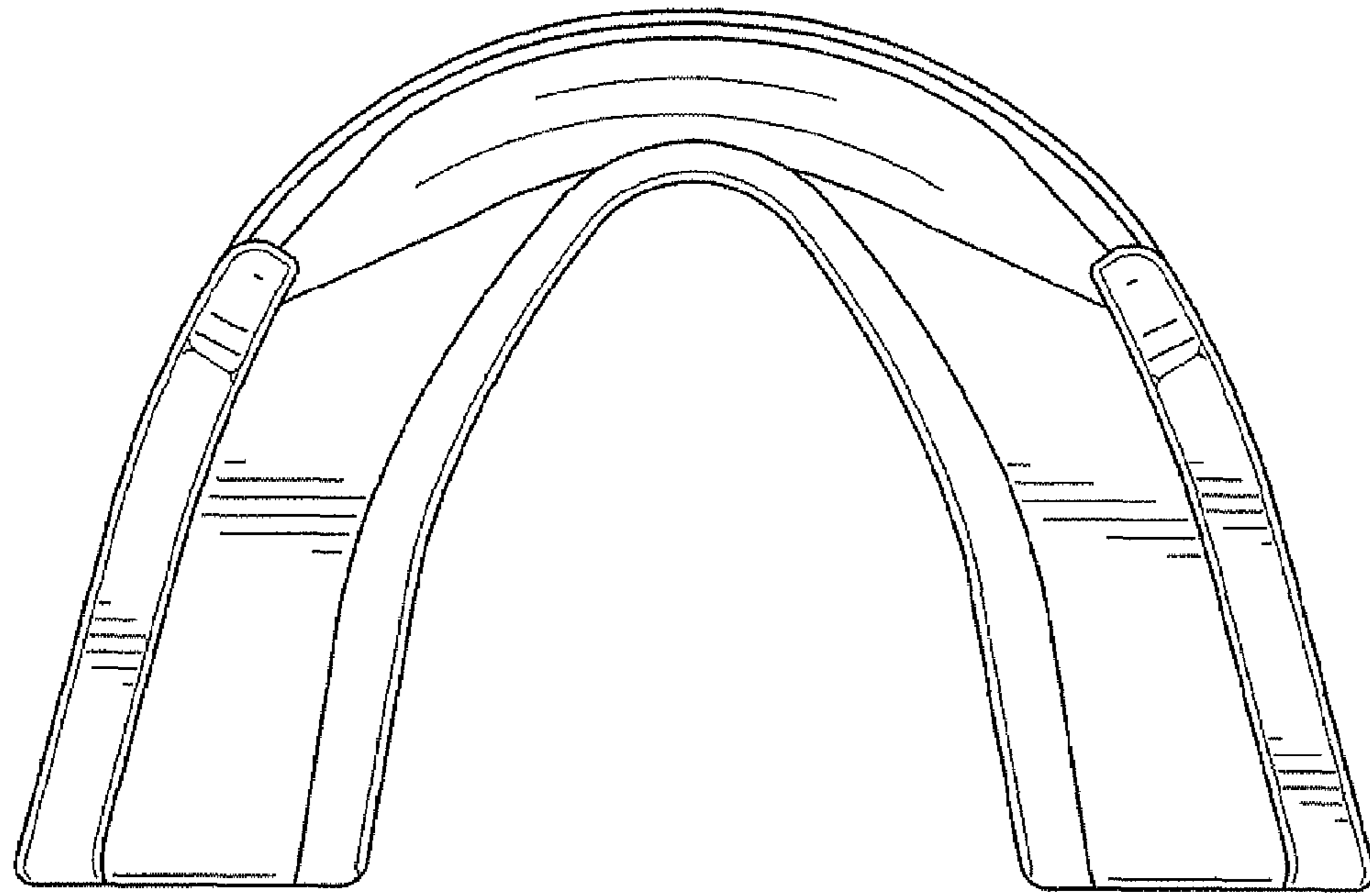
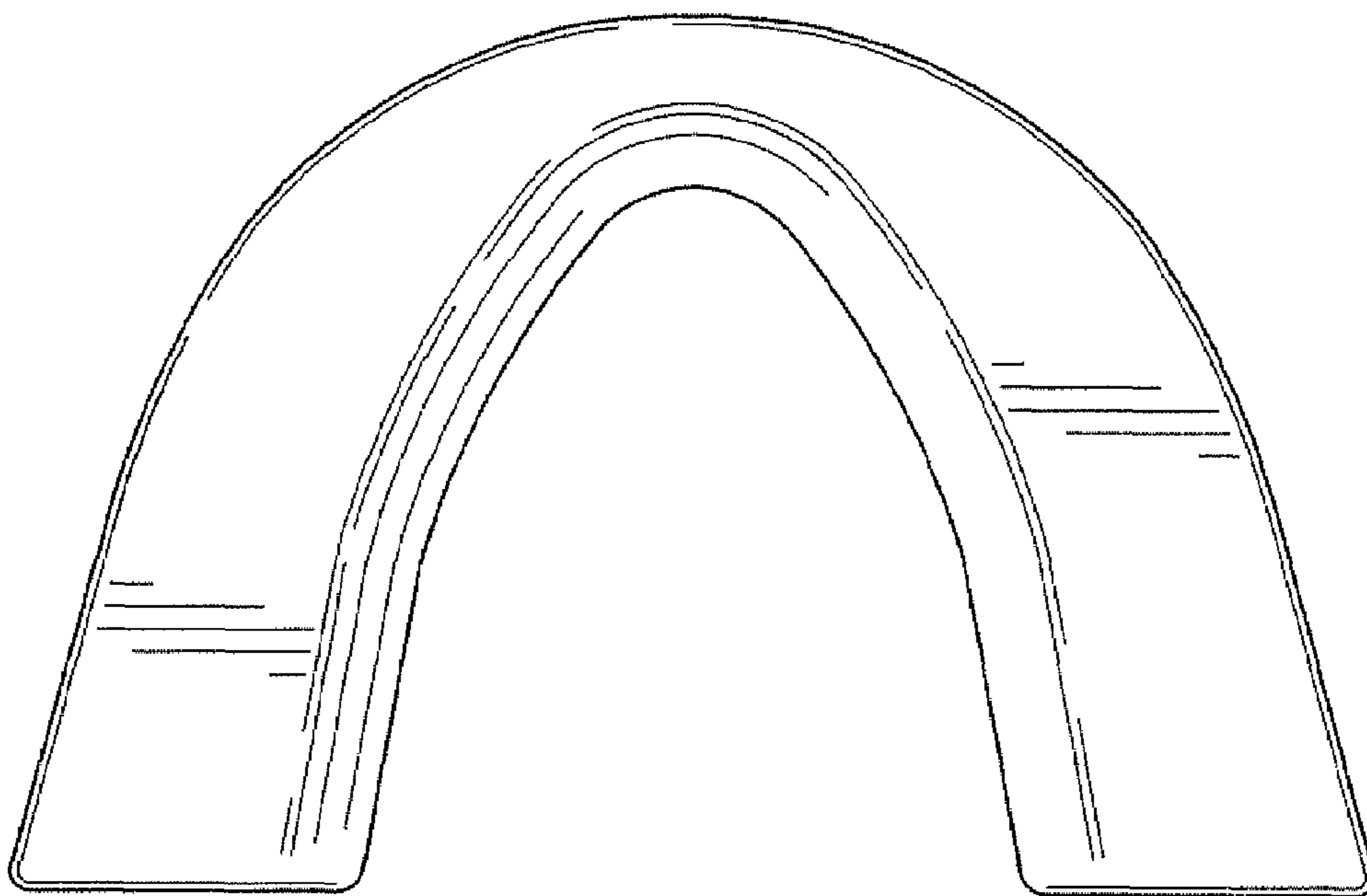


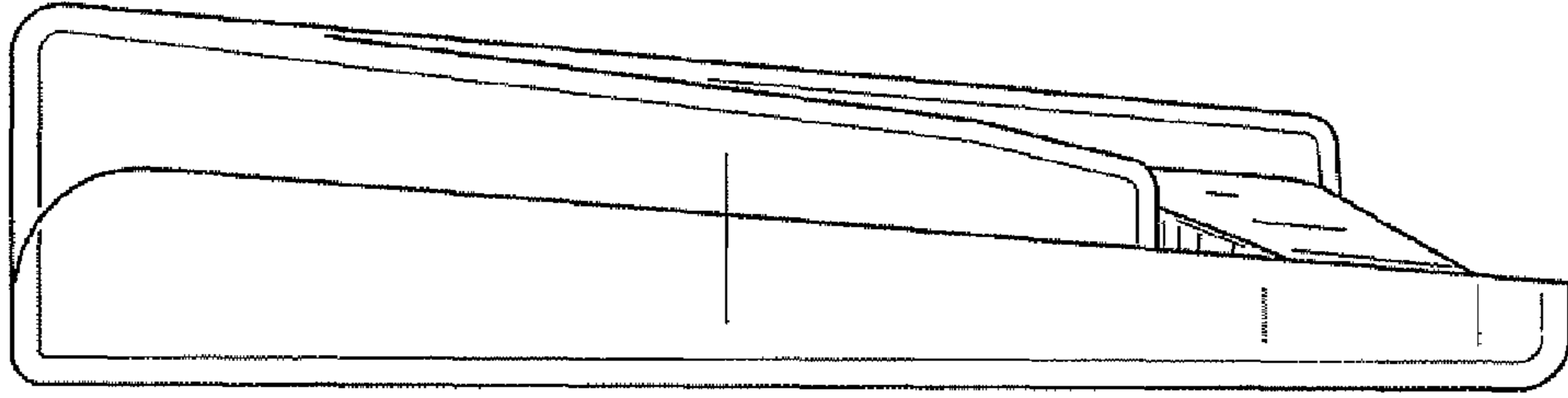
FIG. 1



**FIG. 2**



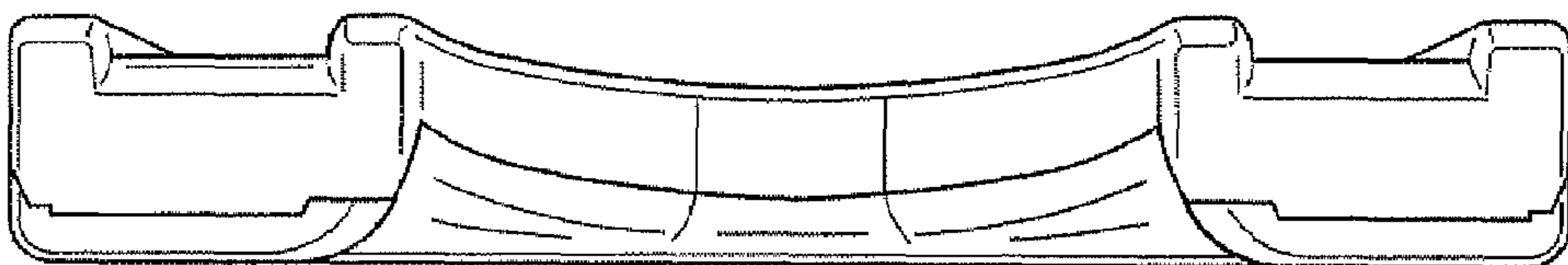
**FIG. 3**



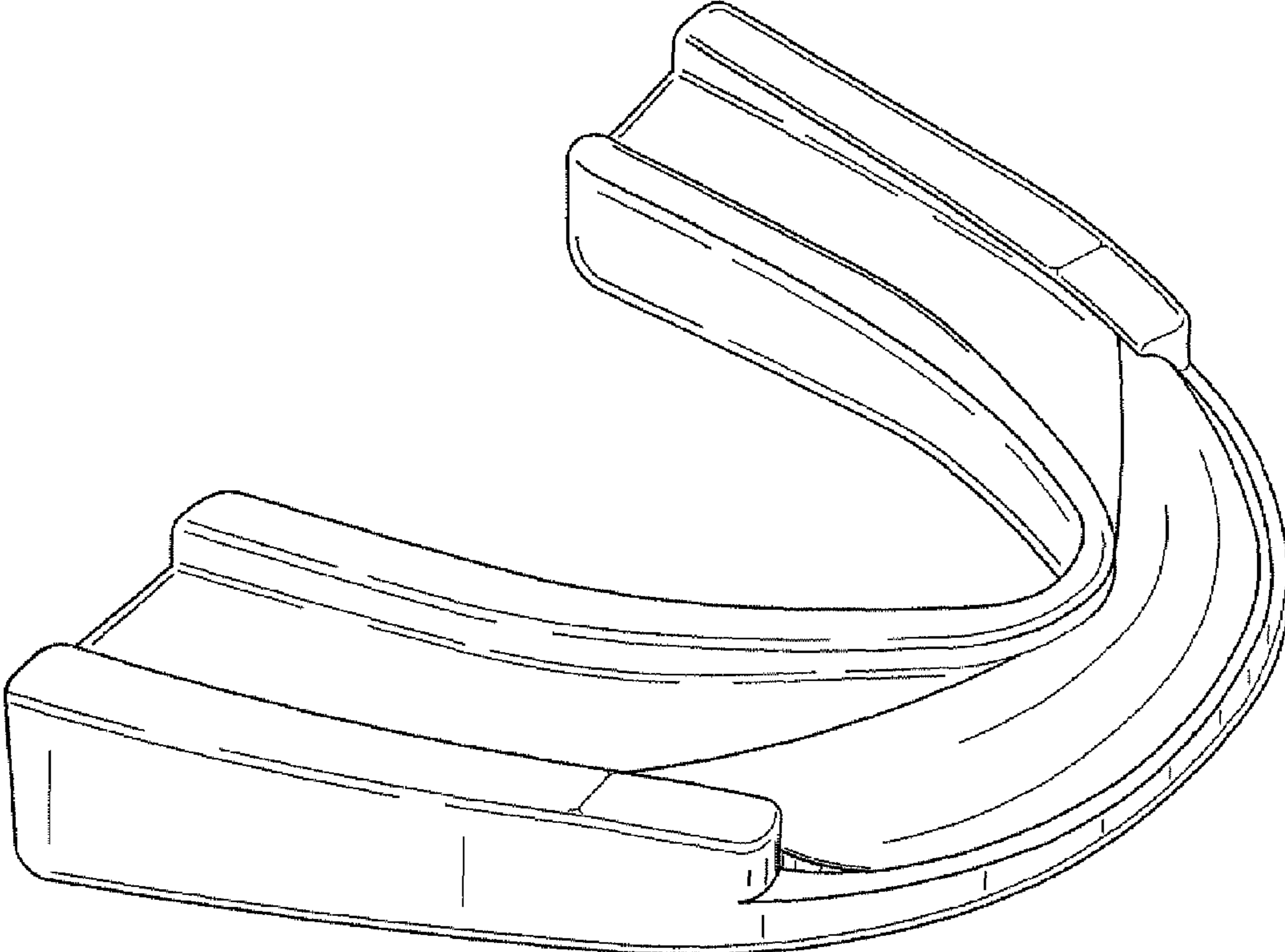
**FIG. 4**



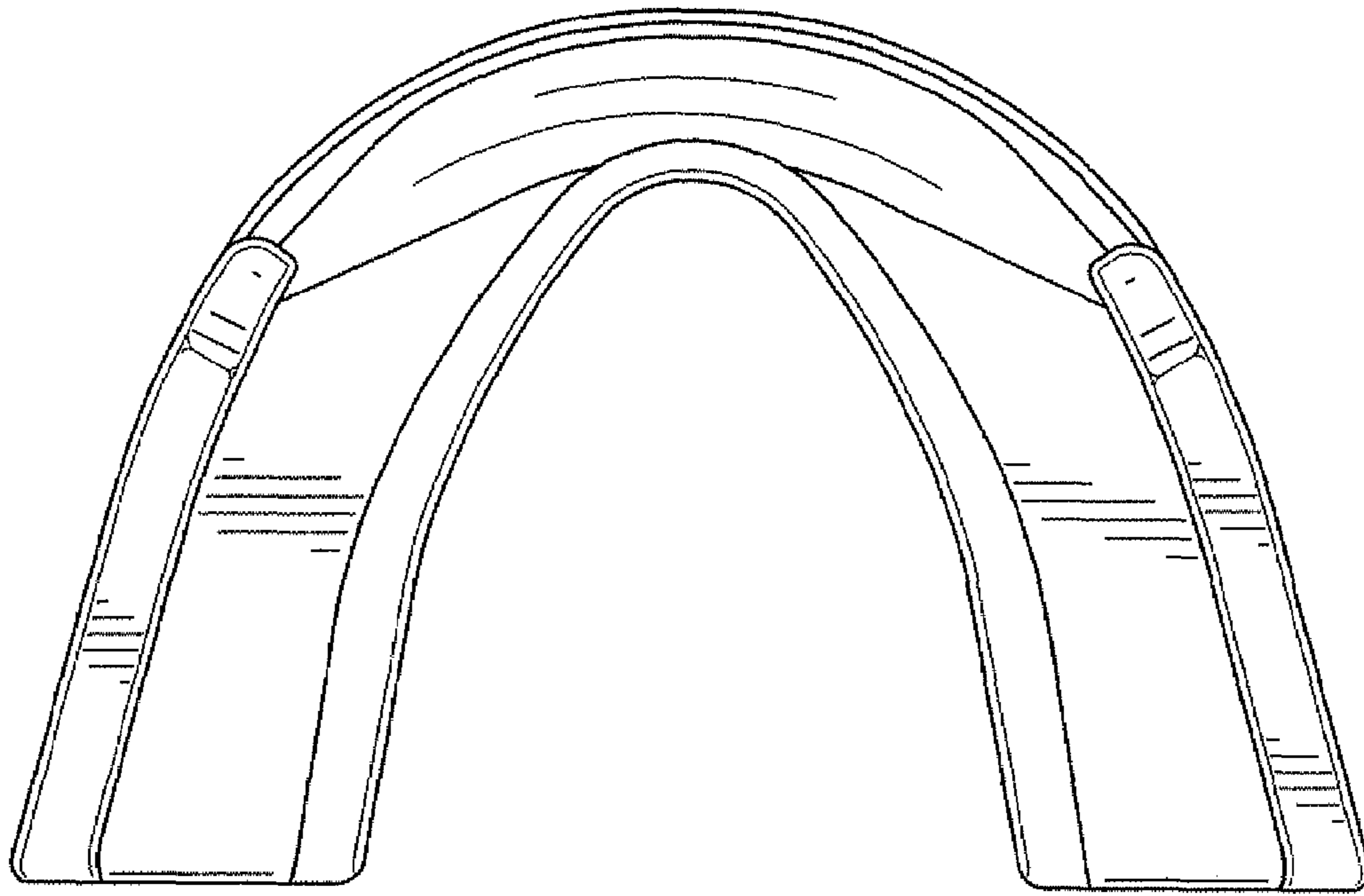
**FIG. 5**



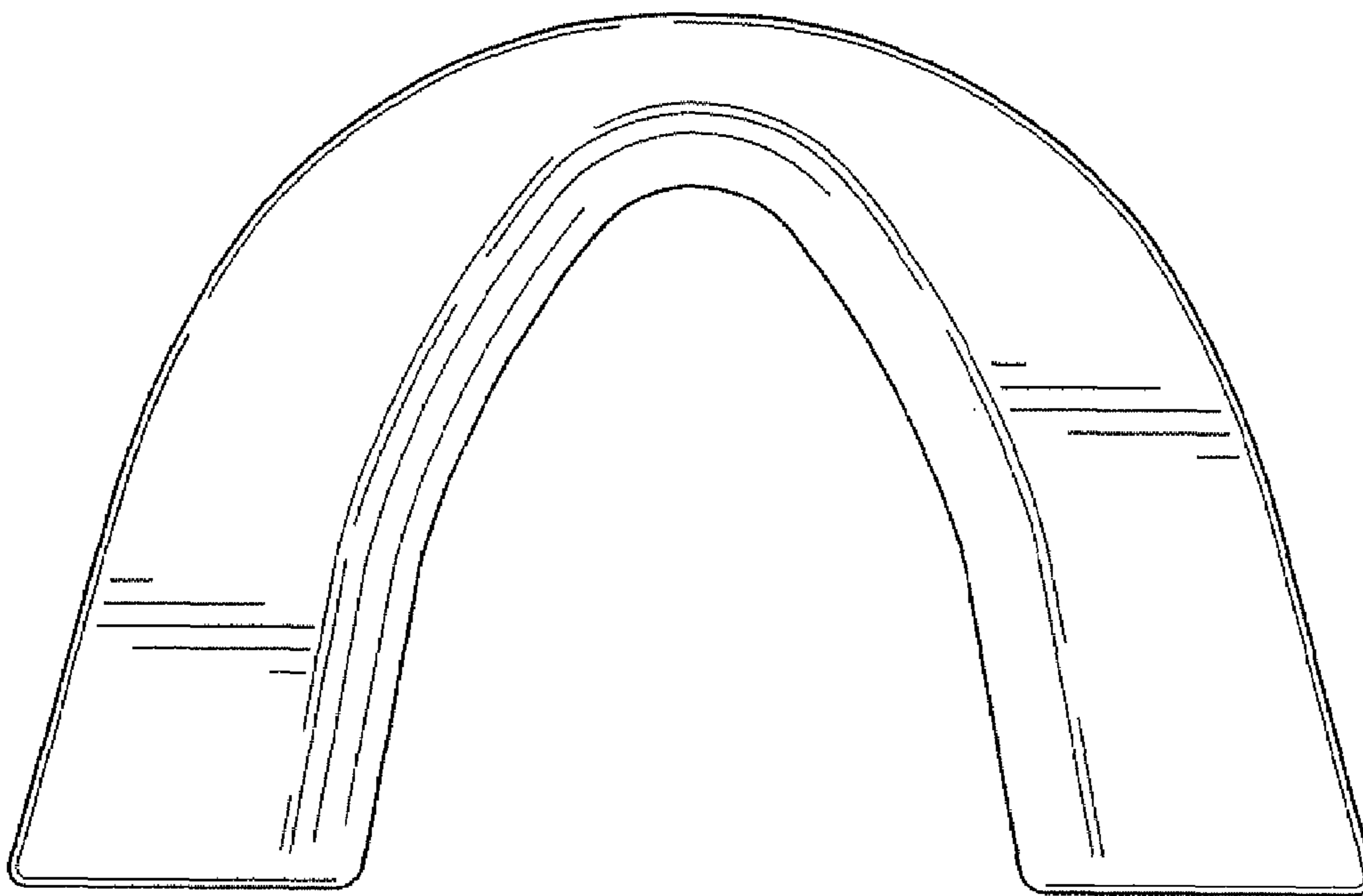
**FIG. 6**



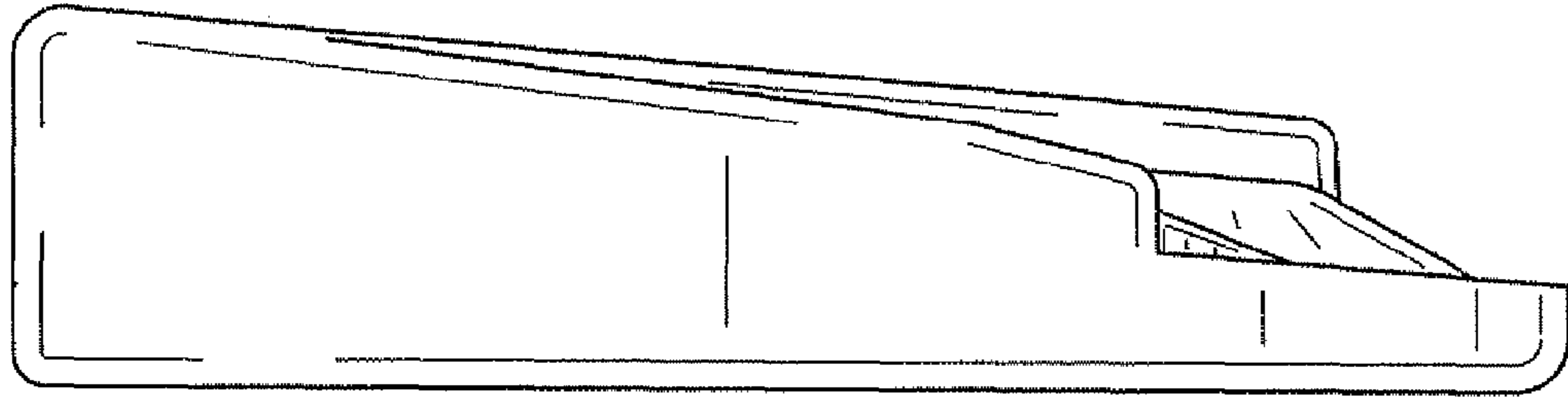
**FIG. 7**



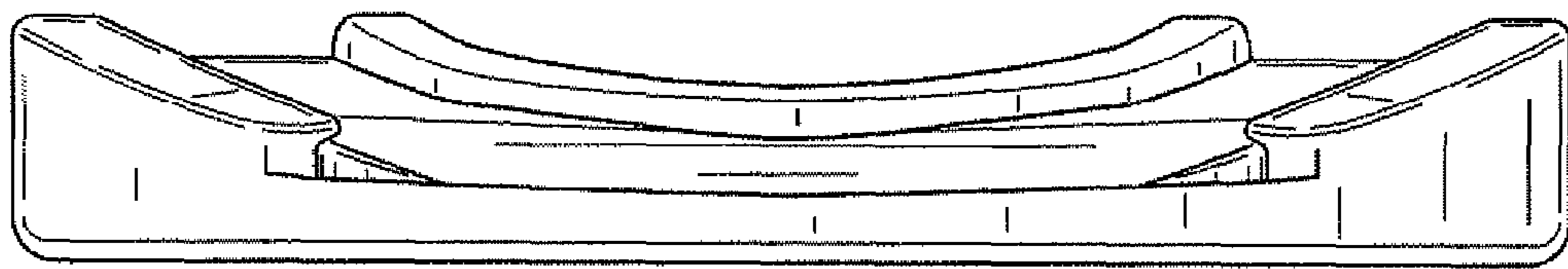
**FIG. 8**



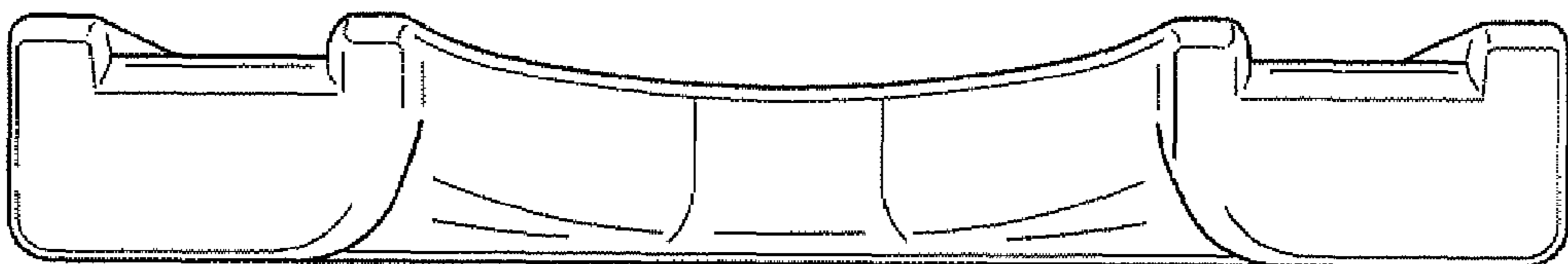
**FIG. 9**



**FIG. 10**



**FIG. 11**



**FIG. 12**