

US00D594122S

(12) **United States Design Patent**  
**Mettler, Jr.**

(10) **Patent No.:** **US D594,122 S**  
(45) **Date of Patent:** **\*\* Jun. 9, 2009**

(54) **TONGUE RETRACTOR AND CLEANER**

(76) Inventor: **Gilbert William Mettler, Jr.**, 416  
Washington Dr., Washington, NH (US)  
03280

(\*\*) Term: **14 Years**

(21) Appl. No.: **29/302,281**

(22) Filed: **Jan. 14, 2008**

(51) **LOC (9) Cl.** ..... **24-02**

(52) **U.S. Cl.** ..... **D24/136; D24/147**

(58) **Field of Classification Search** ..... D24/136,  
D24/147; 600/190, 192, 240, 242; 433/140-141  
See application file for complete search history.

(56) **References Cited**

**U.S. PATENT DOCUMENTS**

2,218,072	A	10/1940	Runnels	
2,491,274	A	12/1949	McNeill	
2,543,999	A	3/1951	Voss	
2,583,750	A	1/1952	Runnels	
2,723,661	A	11/1955	Hull	
3,943,592	A	3/1976	Bhaskar et al.	
D243,422	S	2/1977	Varga	
4,079,478	A	3/1978	Andrews	
D263,743	S	4/1982	Priestman	
4,638,521	A	1/1987	Potente et al.	
D305,797	S	1/1990	Robinson et al.	
D309,528	S	7/1990	Valenti	
5,226,197	A	7/1993	Nack et al.	
D344,335	S	2/1994	Elisha	
D359,556	S *	6/1995	Hale et al.	D24/136
5,518,503	A *	5/1996	Rooney et al.	600/240
5,553,627	A *	9/1996	Newkirk	128/860
D391,370	S	2/1998	Cho	
5,735,864	A	4/1998	Heisinger, Jr.	
5,774,925	A	7/1998	Pryor, III et al.	
5,779,654	A	7/1998	Foley et al.	
5,810,856	A	9/1998	Tveras	
5,817,114	A	10/1998	Anderson et al.	
D406,891	S	3/1999	Smith	
5,893,860	A	4/1999	Ripich et al.	

5,897,492	A *	4/1999	Feller et al.	600/240
5,984,935	A	11/1999	Welt et al.	
6,083,235	A	7/2000	Wagner	
D433,134	S *	10/2000	Pitesky	D24/136
6,352,545	B1	3/2002	Wagner	
6,440,149	B1	8/2002	Potti	
D471,276	S	3/2003	Potti	
6,655,960	B2	12/2003	Fischer	
D484,978	S	1/2004	Syal	
D502,263	S *	2/2005	Feller et al.	D24/136
6,921,409	B2	7/2005	Richard	
D523,299	S *	6/2006	Johnson	D7/653
D536,452	S	2/2007	Geiberger et al.	
D545,445	S	6/2007	Klein	
D574,494	S *	8/2008	Schmitt	D24/136

\* cited by examiner

*Primary Examiner*—Ian Simmons

*Assistant Examiner*—Wan Laymon

(74) *Attorney, Agent, or Firm*—Schwegman, Lundeborg & Woessner, P.A.

(57) **CLAIM**

The ornamental design for a tongue retractor and cleaner, as shown and described.

**DESCRIPTION**

FIG. 1 is a front perspective view of a tongue retractor and cleaner.

FIG. 2 is a front view of a tongue retractor and cleaner.

FIG. 3 is an enlarged right side view of a tongue retractor and cleaner.

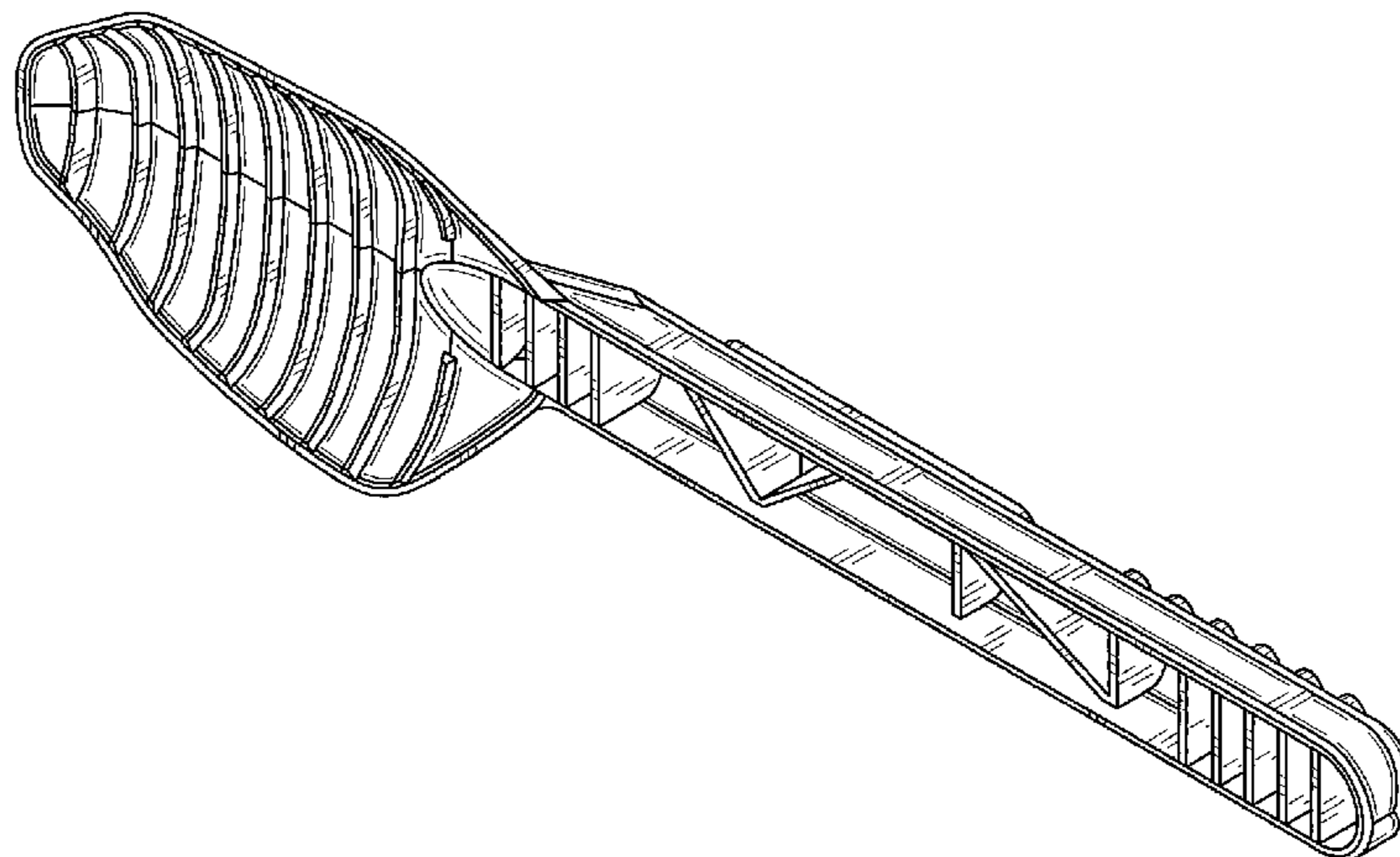
FIG. 4 is a back view of a tongue retractor and cleaner.

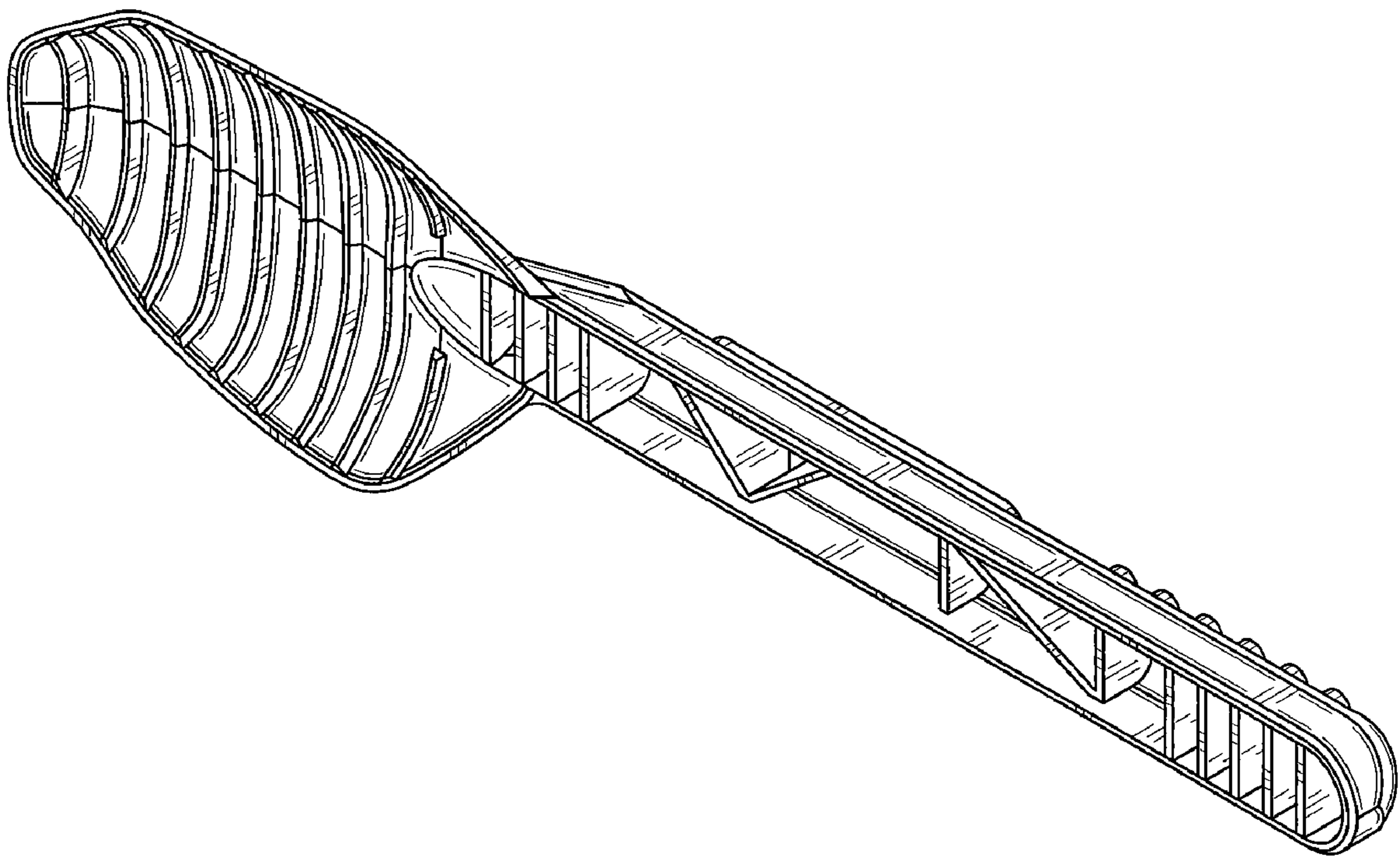
FIG. 5 is a top view of a tongue retractor and cleaner; and,

FIG. 6 is an enlarged left side view of a tongue retractor and cleaner.

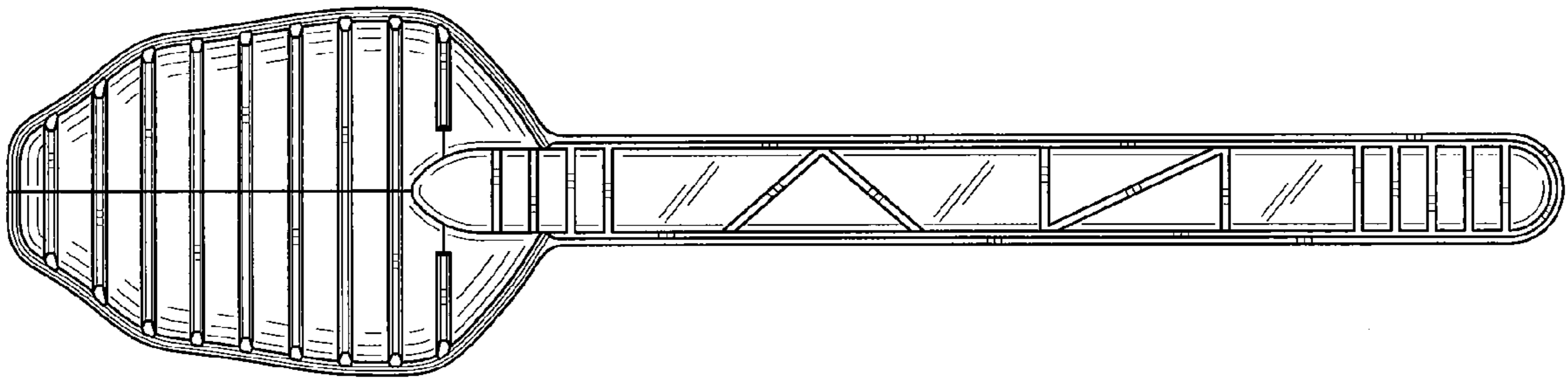
The broken lines showing of the phrase “VERONOBIS” are for the purpose of illustrating raised lettering that may be disposed on the claimed article and form no part of the claimed design.

**1 Claim, 6 Drawing Sheets**

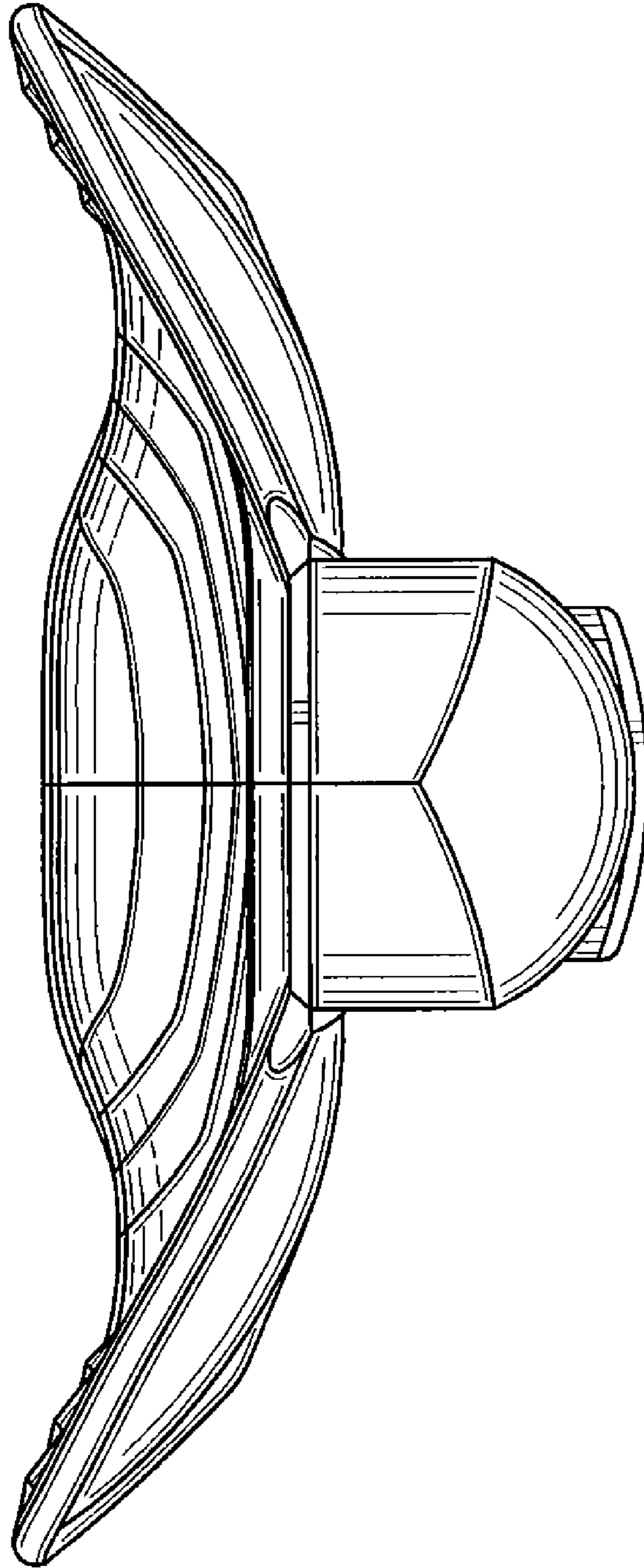




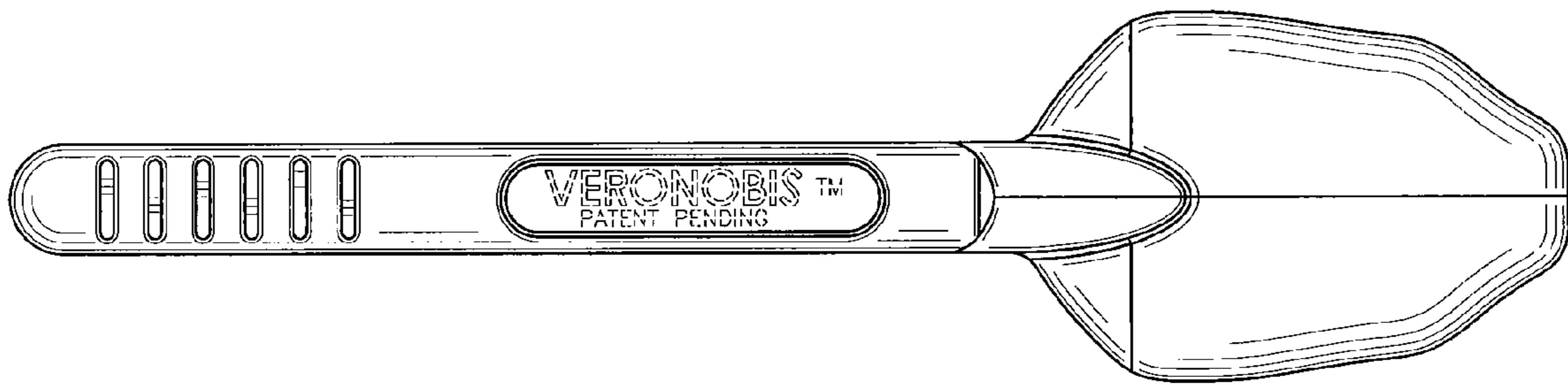
*FIG. 1*



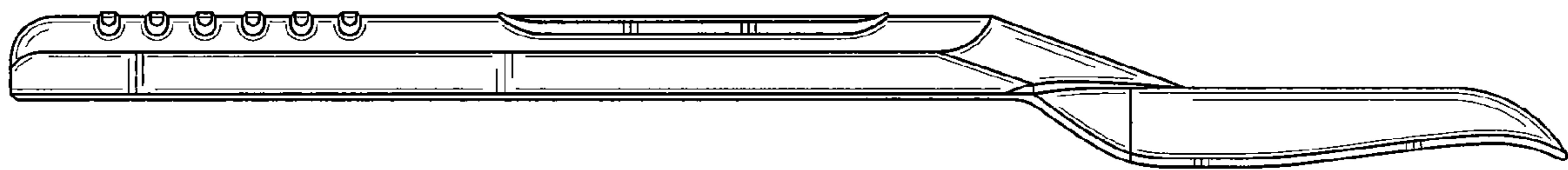
*FIG. 2*



*FIG. 3*

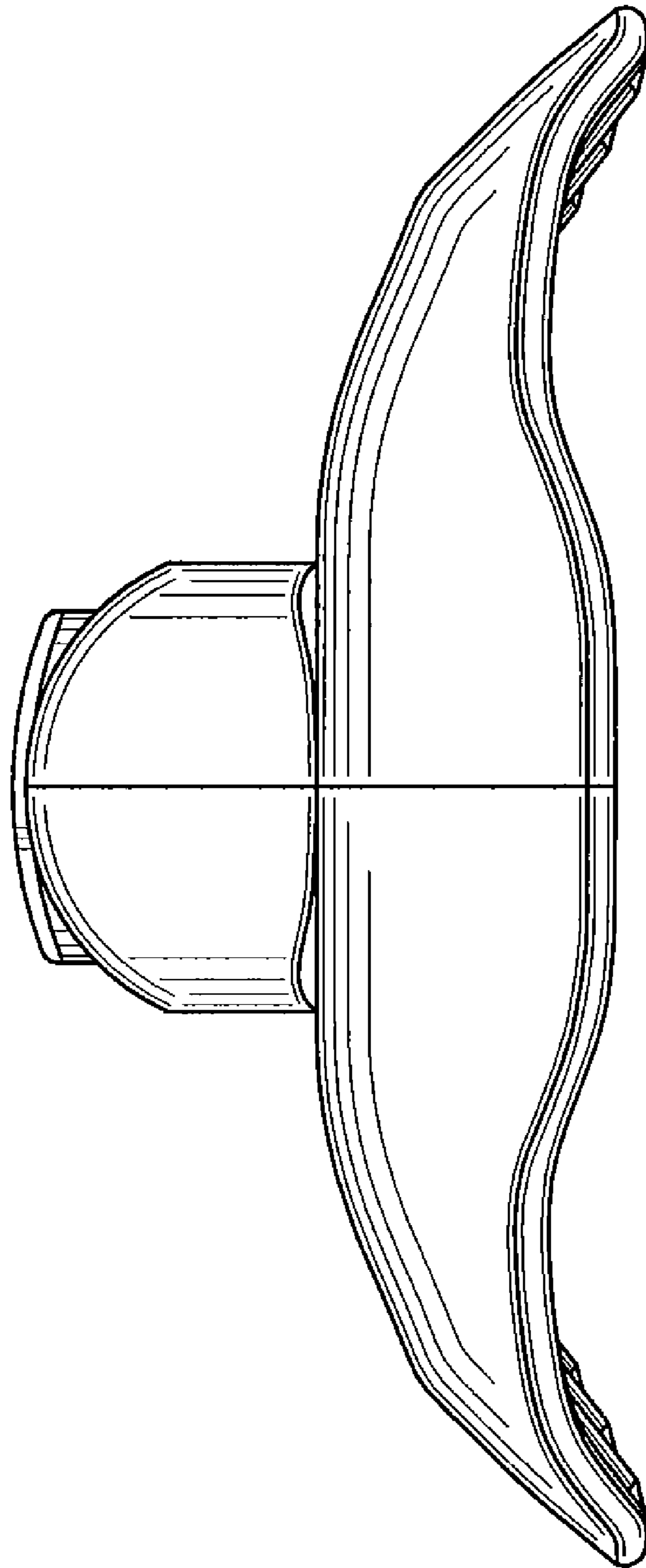


*FIG. 4*



*FIG. 5*





*FIG. 6*