

US00D594121S

(12) **United States Design Patent**  
**Berberich et al.**

(10) **Patent No.:** **US D594,121 S**  
(45) **Date of Patent:** **\*\* Jun. 9, 2009**

(54) **MEDICAL INSTRUMENT**

(75) Inventors: **Sascha Berberich**, Tuttlingen (DE);  
**Sebastian Frey**,  
Villingen-Schwenningen (DE); **Michael**  
**Sauer**, Tuttlingen (DE)

(73) Assignee: **Karl Storz GmbH & Co. KG** (DE)

(\*\*) Term: **14 Years**

(21) Appl. No.: **29/302,101**

(22) Filed: **Jan. 10, 2008**

(30) **Foreign Application Priority Data**

Nov. 12, 2007 (EM) ..... 000824958

(51) **LOC (9) Cl.** ..... **24-02**

(52) **U.S. Cl.** ..... **D24/133; D24/108; D24/129;**  
D24/147

(58) **Field of Classification Search** ..... D24/133,  
D24/137-138, 143, 145-147, 149, 107-108,  
D24/112, 140, 144; 604/523, 263, 167.06;  
285/316; 606/41, 46, 49, 170, 179-180,  
606/172, 184, 128, 131-132, 135-136, 138;  
600/101, 104-105, 112-114, 119-123

See application file for complete search history.

(56) **References Cited**

**U.S. PATENT DOCUMENTS**

1,967,015 A \* 7/1934 Wappler ..... 606/49  
2,691,370 A \* 10/1954 Wallace ..... 600/104  
4,951,977 A \* 8/1990 Shutt ..... 285/316

5,807,240 A \* 9/1998 Muller et al. .... 600/135  
6,110,128 A \* 8/2000 Andelin et al. .... 600/566  
D536,447 S \* 2/2007 Rehbein et al. .... D24/133  
D536,787 S \* 2/2007 Rehbein et al. .... D24/133  
D571,007 S \* 6/2008 Rehbein et al. .... D24/133  
D573,257 S \* 7/2008 Rehbein et al. .... D24/133

**OTHER PUBLICATIONS**

Storz Advertising Literature—Arthroscopy Sports Medicine Spine  
Surgery, Jan. 2003, 2 pages.

\* cited by examiner

*Primary Examiner*—Ian Simmons

*Assistant Examiner*—Wan Laymon

(74) *Attorney, Agent, or Firm*—St. Onge Steward Johnston &  
Reens LLC

(57) **CLAIM**

The ornamental design for a medical instrument, as shown  
and described.

**DESCRIPTION**

FIG. 1 is a side perspective view of a medical instrument in  
accordance with the new design;

FIG. 2 is a right side elevational view thereof;

FIG. 3 is a left side elevational view thereof;

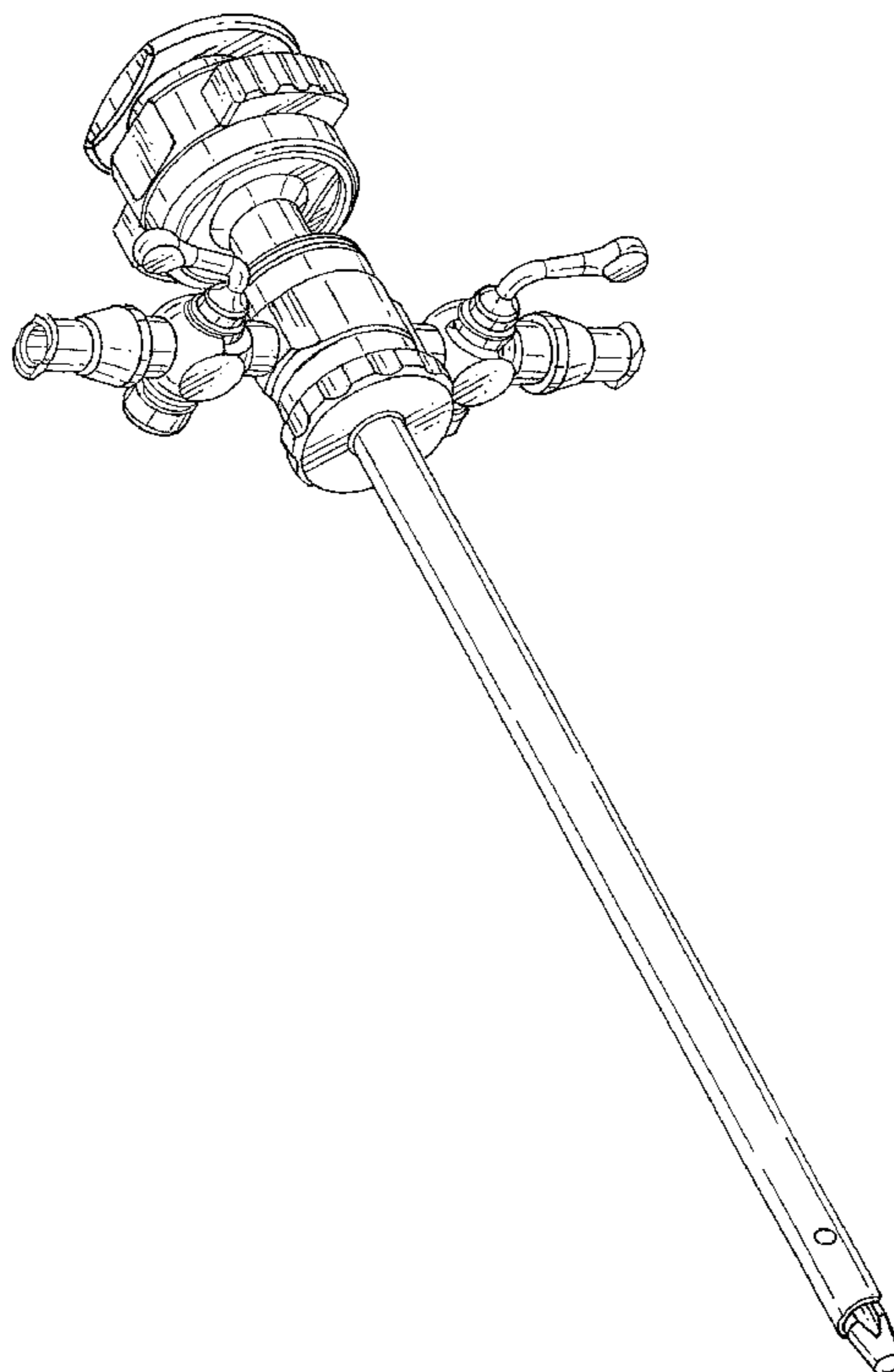
FIG. 4 is a rear elevational view thereof;

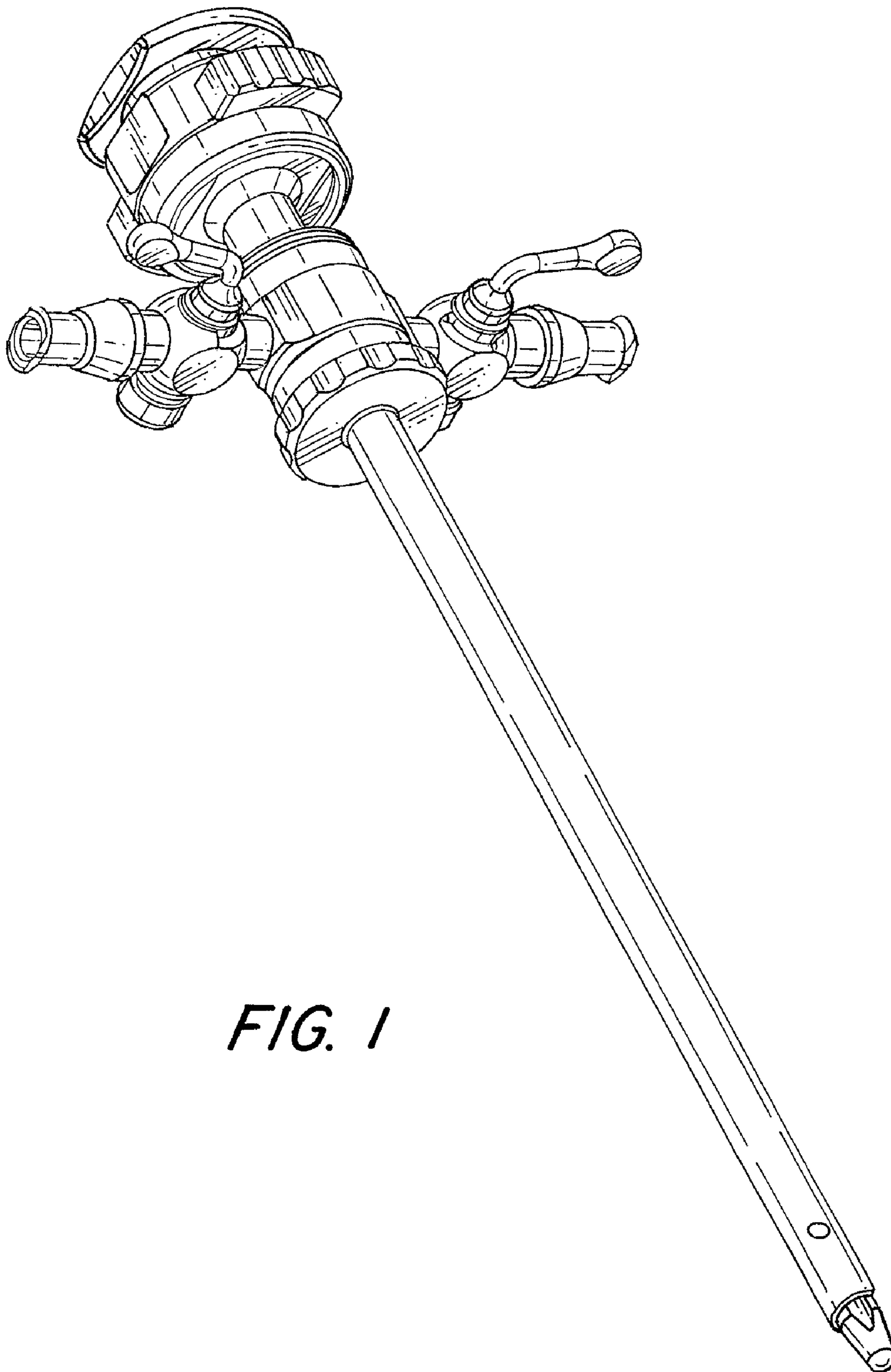
FIG. 5 is a bottom plan view thereof;

FIG. 6 is a front elevational view thereof; and,

FIG. 7 is a top plan view thereof.

**1 Claim, 7 Drawing Sheets**





*FIG. 1*

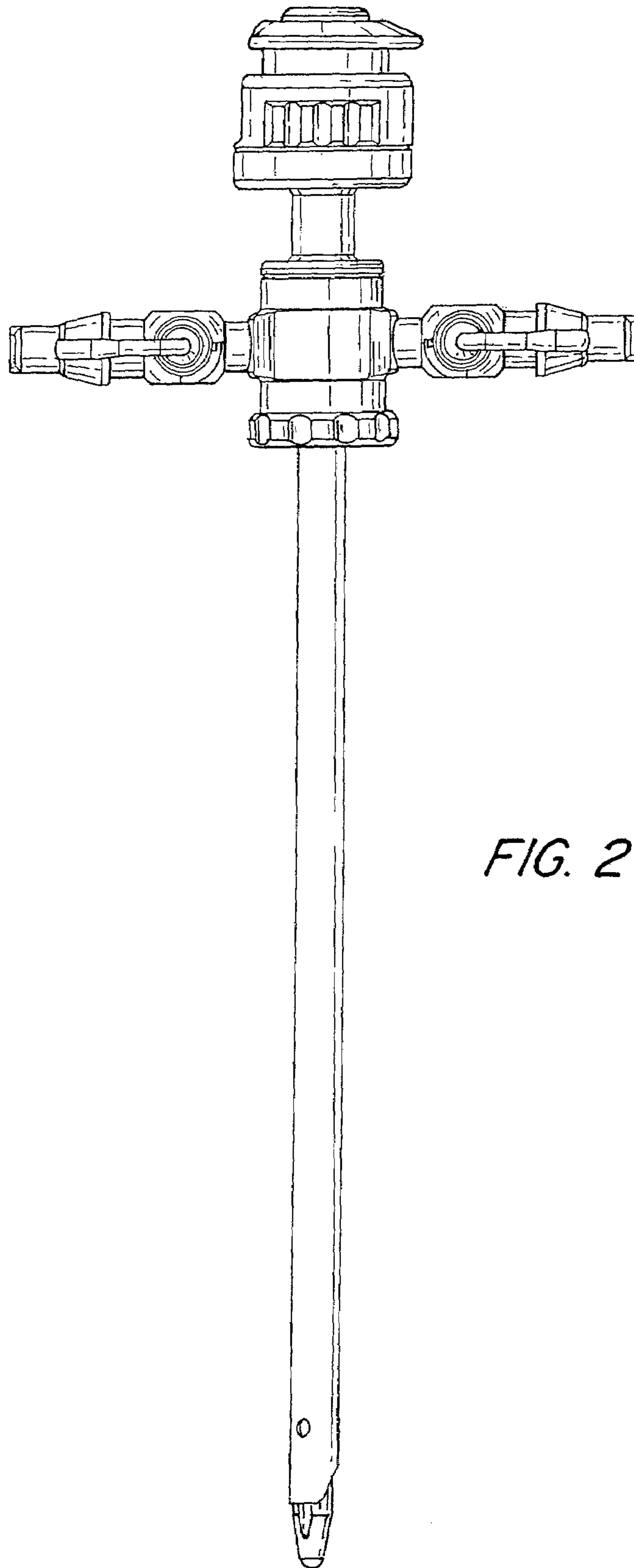
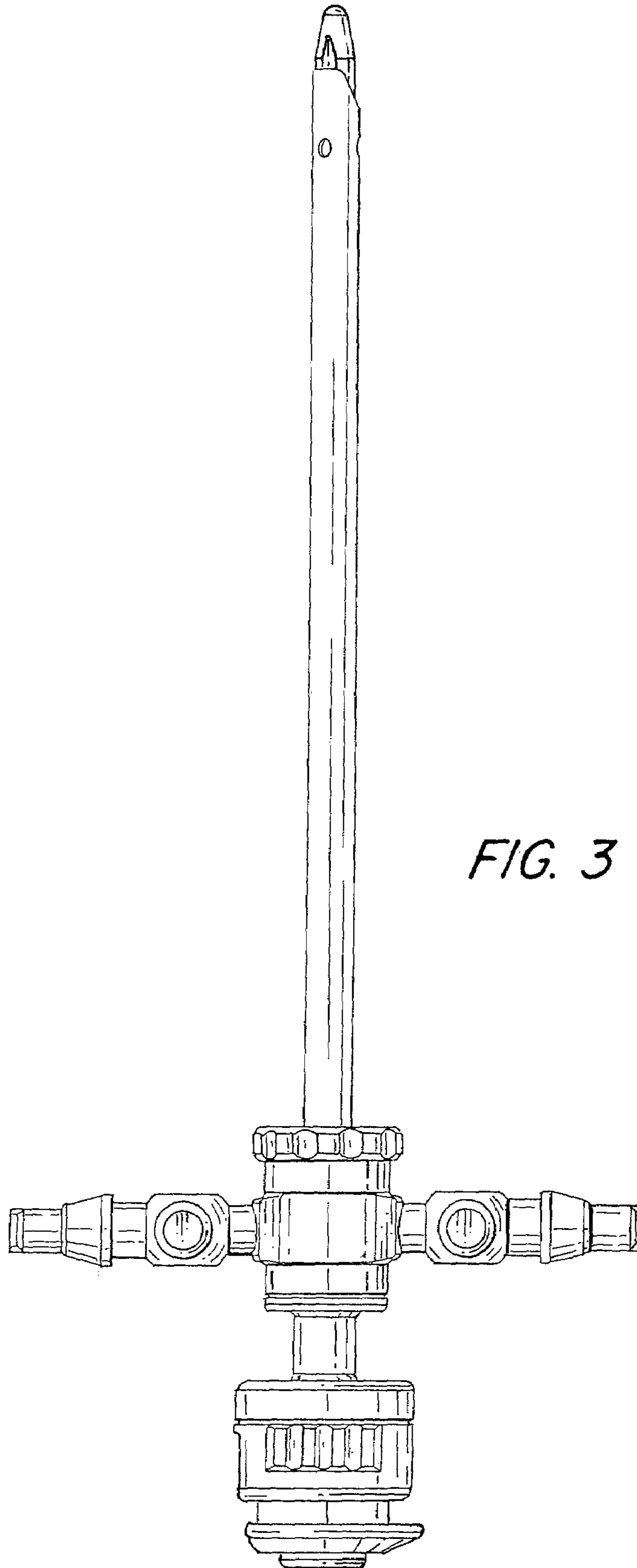


FIG. 2



*FIG. 3*

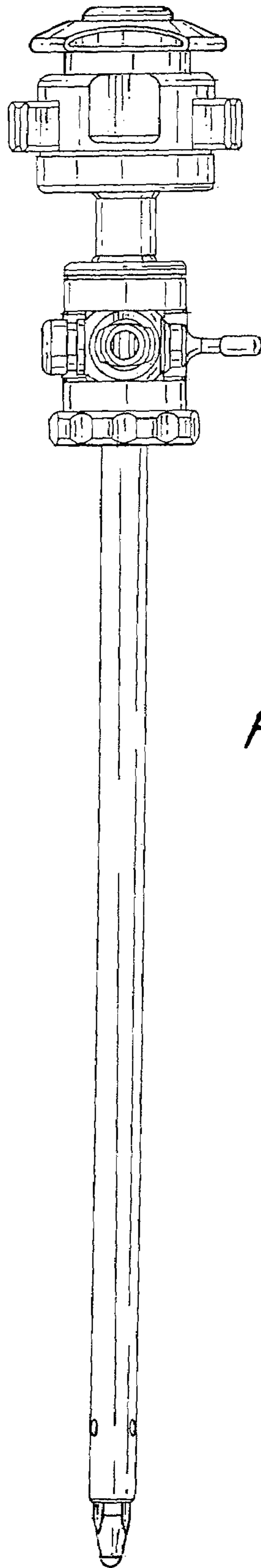
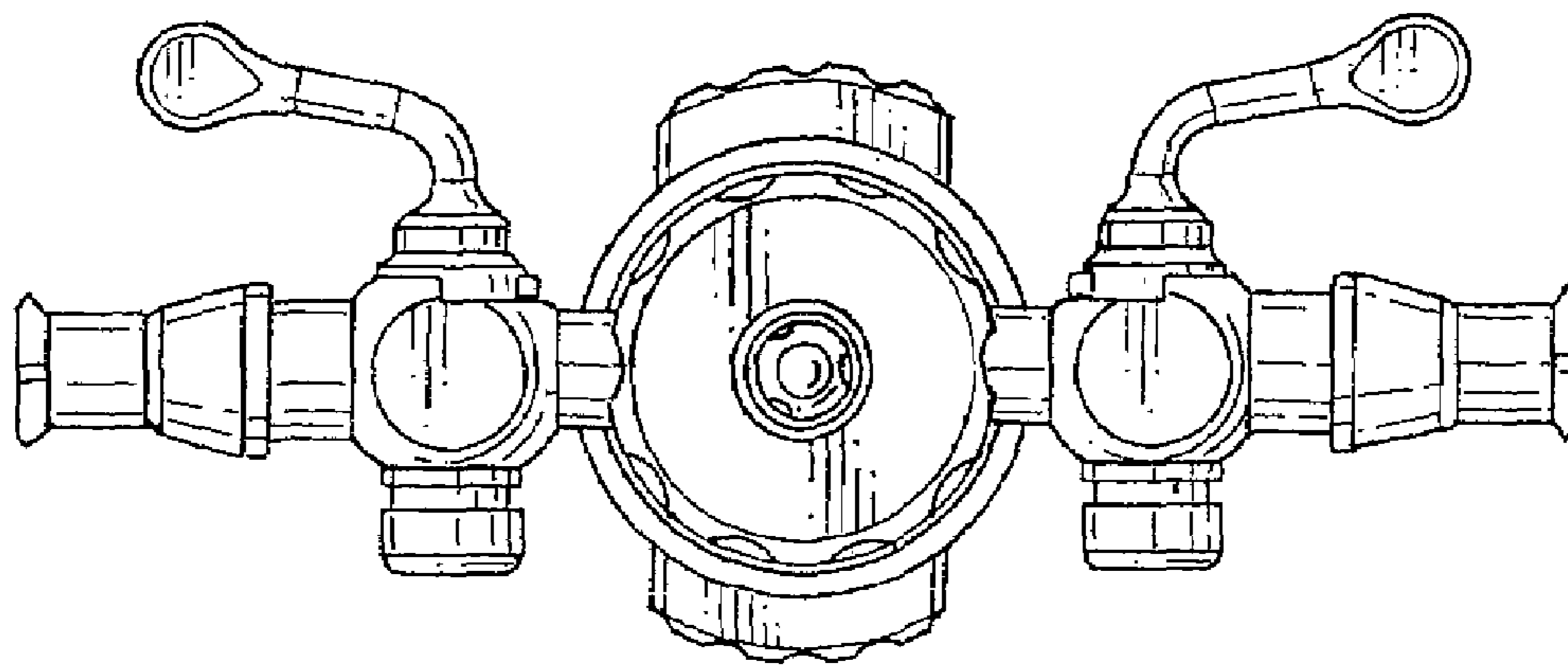
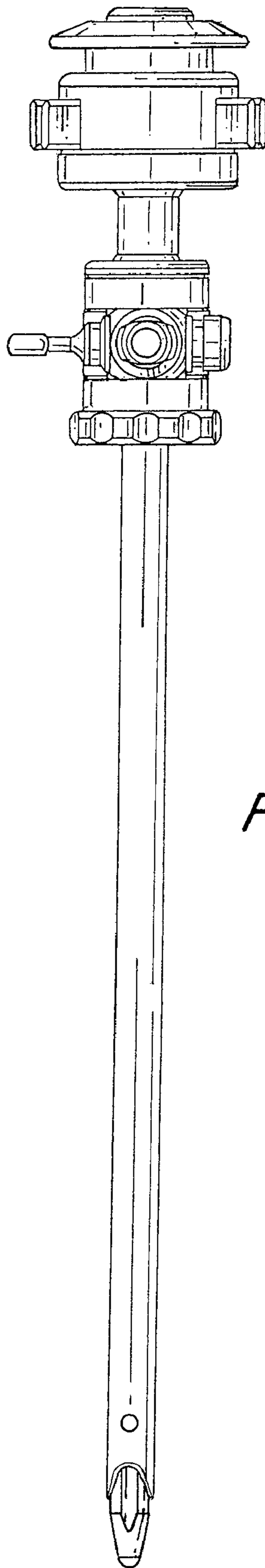


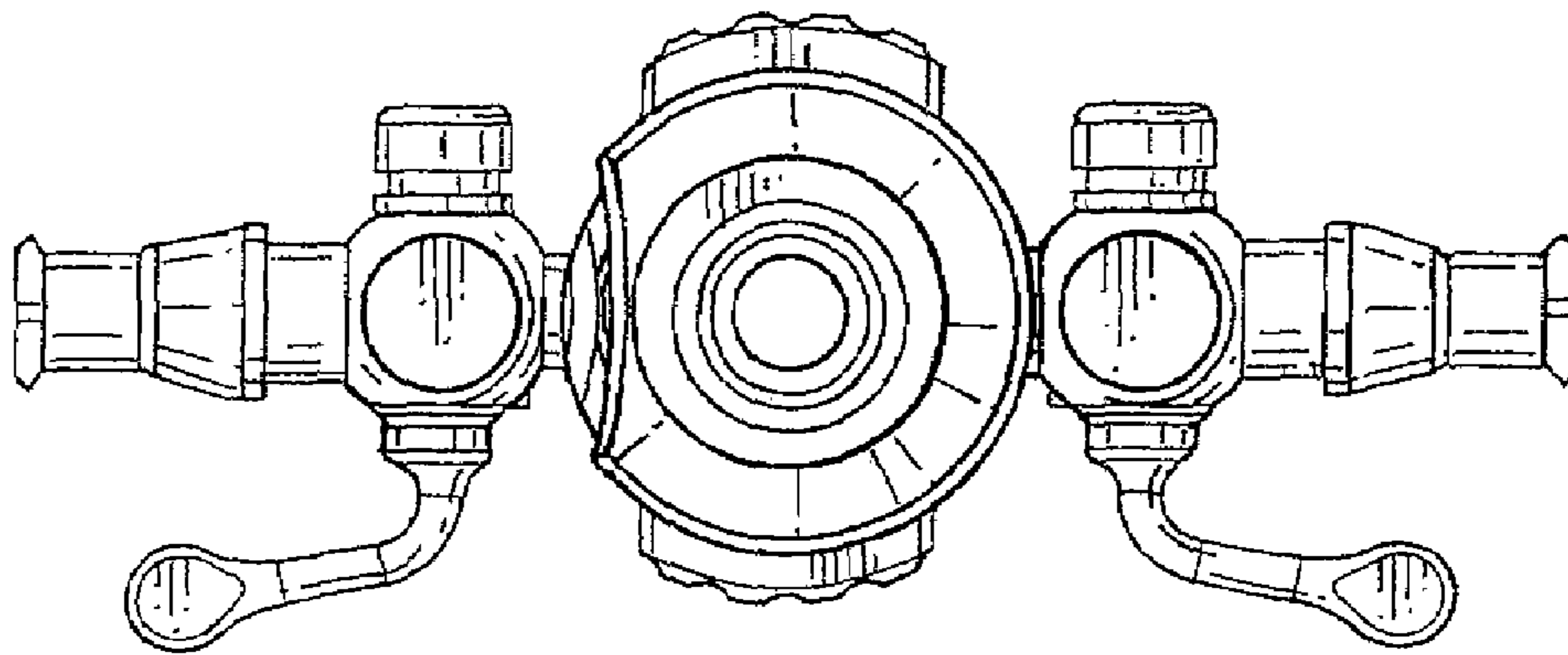
FIG. 4



*FIG. 5*



*FIG. 6*



*FIG. 7*