

US00D594119S

(12) **United States Design Patent**
Berberich et al.

(10) **Patent No.:** **US D594,119 S**
(45) **Date of Patent:** **** Jun. 9, 2009**

(54) **MEDICAL INSTRUMENT**

(75) Inventors: **Sascha Berberich**, Tuttlingen (DE);
Sebastian Frey,
Villingen-Schwenningen (DE); **Michael**
Sauer, Tuttlingen (DE)

(73) Assignee: **Karl Storz GmbH & Co. KG** (DE)

(**) Term: **14 Years**

(21) Appl. No.: **29/302,094**

(22) Filed: **Jan. 10, 2008**

(30) **Foreign Application Priority Data**

Nov. 12, 2007 (EM) 000824958

(51) **LOC (9) Cl.** **24-02**

(52) **U.S. Cl.** **D24/133; D24/108**

(58) **Field of Classification Search** D24/133,
D24/137-138, 143, 145-147, 149, 107-108,
D24/112, 140, 144; 604/523, 263, 167.06;
285/316; 606/41, 46, 49, 170, 179-180,
606/172, 184, 128, 131-132, 135-136, 138;
600/101, 104-105, 112-114, 119-123
See application file for complete search history.

(56) **References Cited**

U.S. PATENT DOCUMENTS

3,144,020 A * 8/1964 Zingale 600/119
D272,849 S * 2/1984 Bel et al. D24/138
4,513,754 A * 4/1985 Lee 600/566
D287,631 S * 1/1987 Anspach, Jr. D24/147
4,776,847 A * 10/1988 Krebs 604/164.06

D302,589 S * 8/1989 McMenemy et al. D24/112
5,190,028 A * 3/1993 Lafferty et al. 600/129
D342,136 S * 12/1993 Lafferty et al. D24/138
6,159,182 A * 12/2000 Davis et al. 604/167.06
D469,871 S * 2/2003 Sand D24/133
D496,728 S * 9/2004 Holsinger D24/130
7,413,542 B2 * 8/2008 Kucklick et al. 600/114

OTHER PUBLICATIONS

Storz Advertising Literature—Arthroscopy Sports Medicine Spine
Surgery, Jan. 2003, 2 pages.

* cited by examiner

Primary Examiner—Ian Simmons

Assistant Examiner—Wan Laymon

(74) *Attorney, Agent, or Firm*—St. Onge Steward Johnston &
Reens LLC

(57) **CLAIM**

The ornamental design for a medical instrument, as shown
and described.

DESCRIPTION

FIG. 1 is a side perspective view of a medical instrument in
accordance with the new design;

FIG. 2 is a right side elevation view thereof;

FIG. 3 is a left side elevation view thereof;

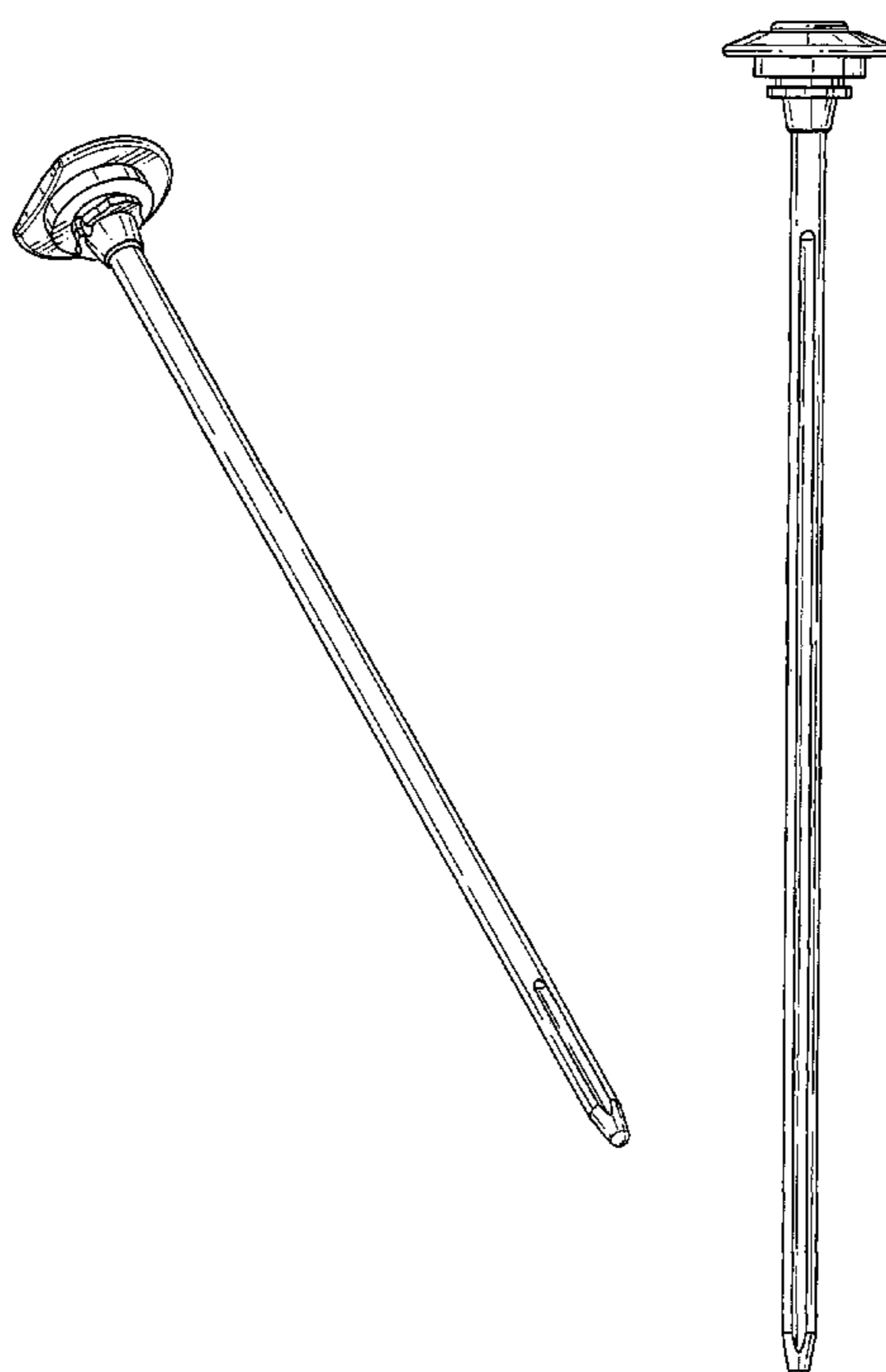
FIG. 4 is a top plan view thereof;

FIG. 5 is a bottom plan view thereof;

FIG. 6 is a front elevation view thereof; and,

FIG. 7 is a rear elevation view thereof.

1 Claim, 7 Drawing Sheets



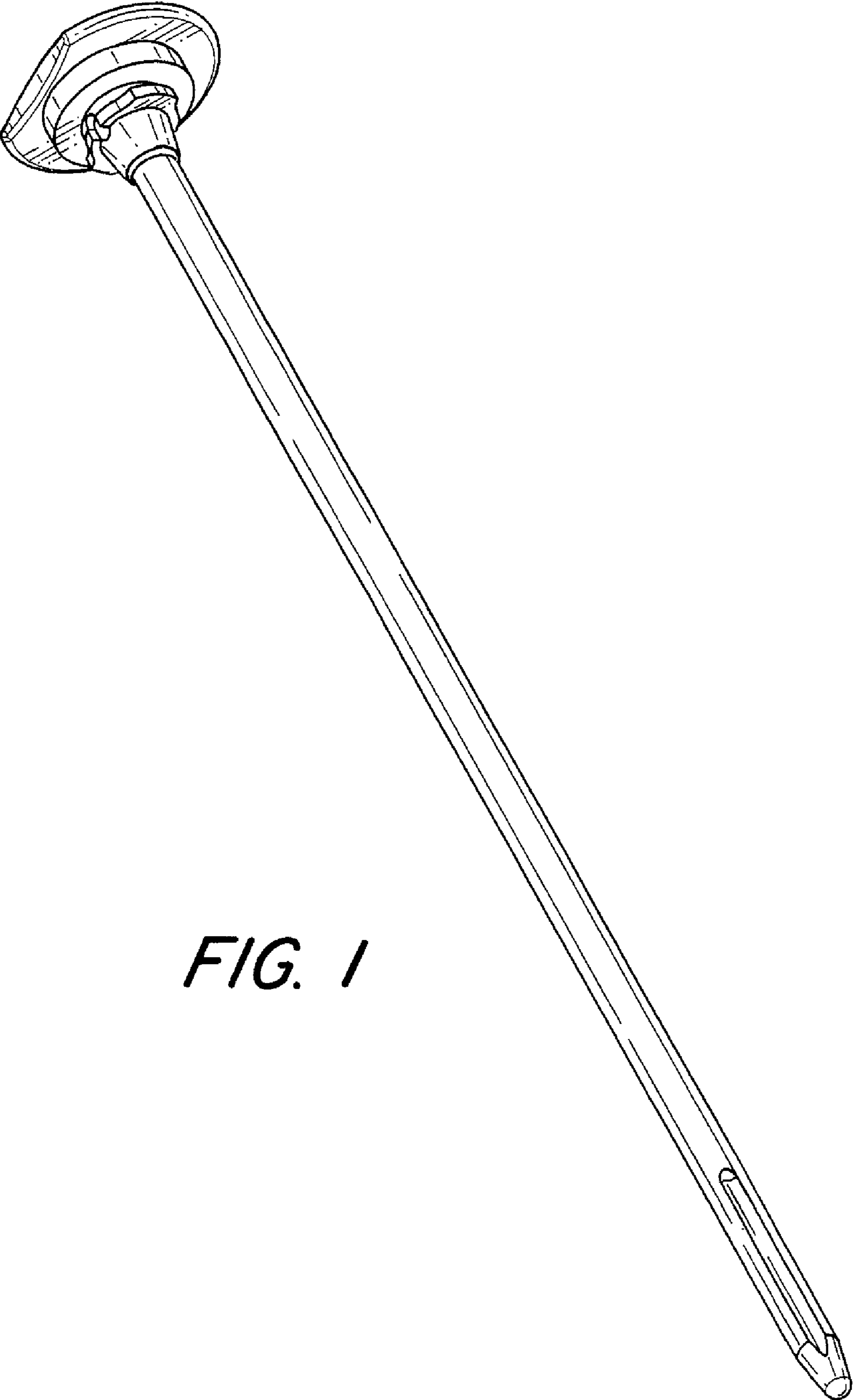


FIG. 1

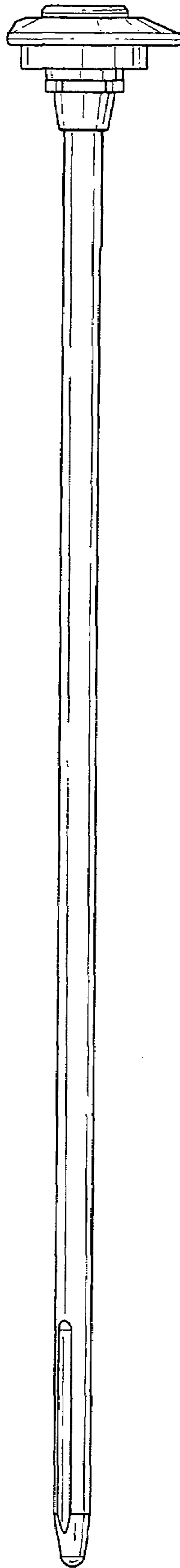


FIG. 2

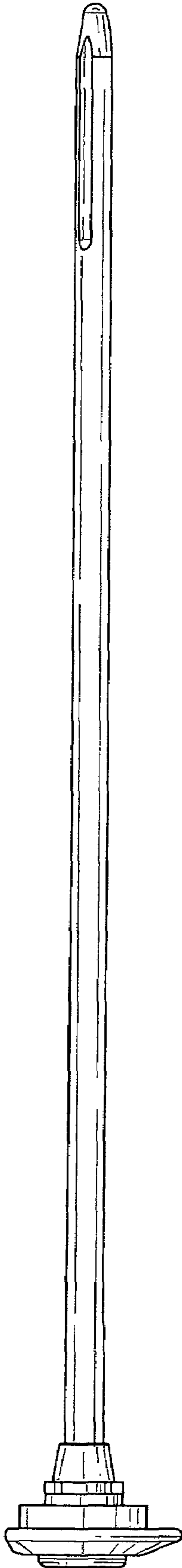


FIG. 3

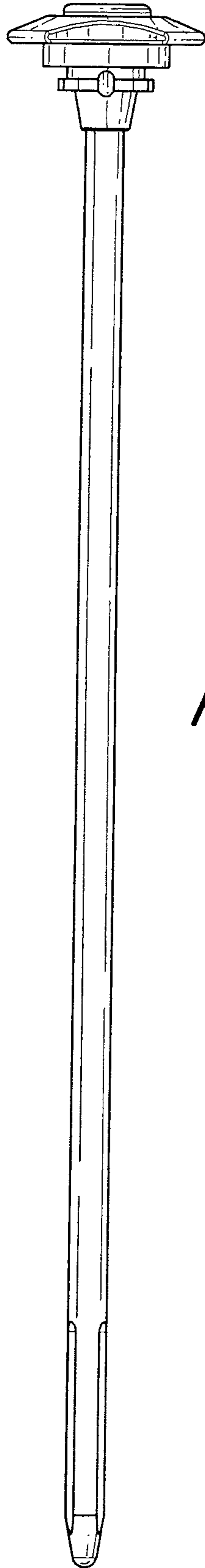


FIG. 4

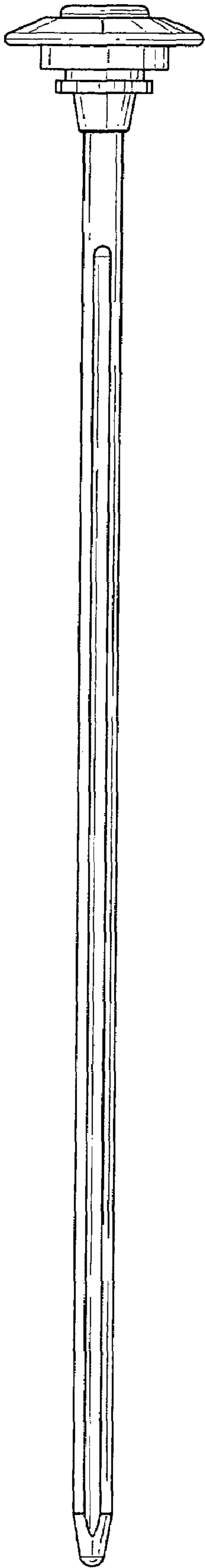


FIG. 5

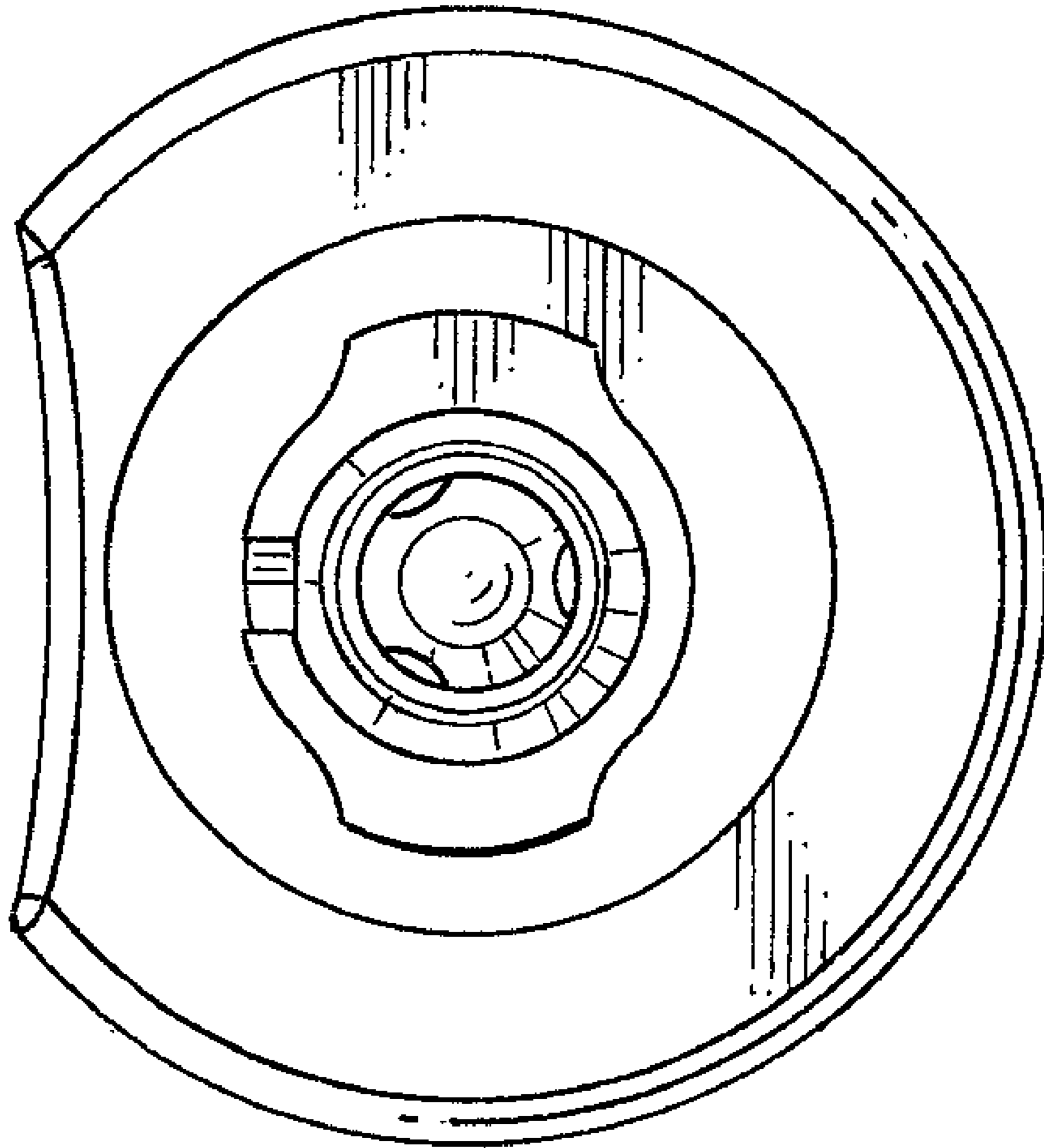


FIG. 6

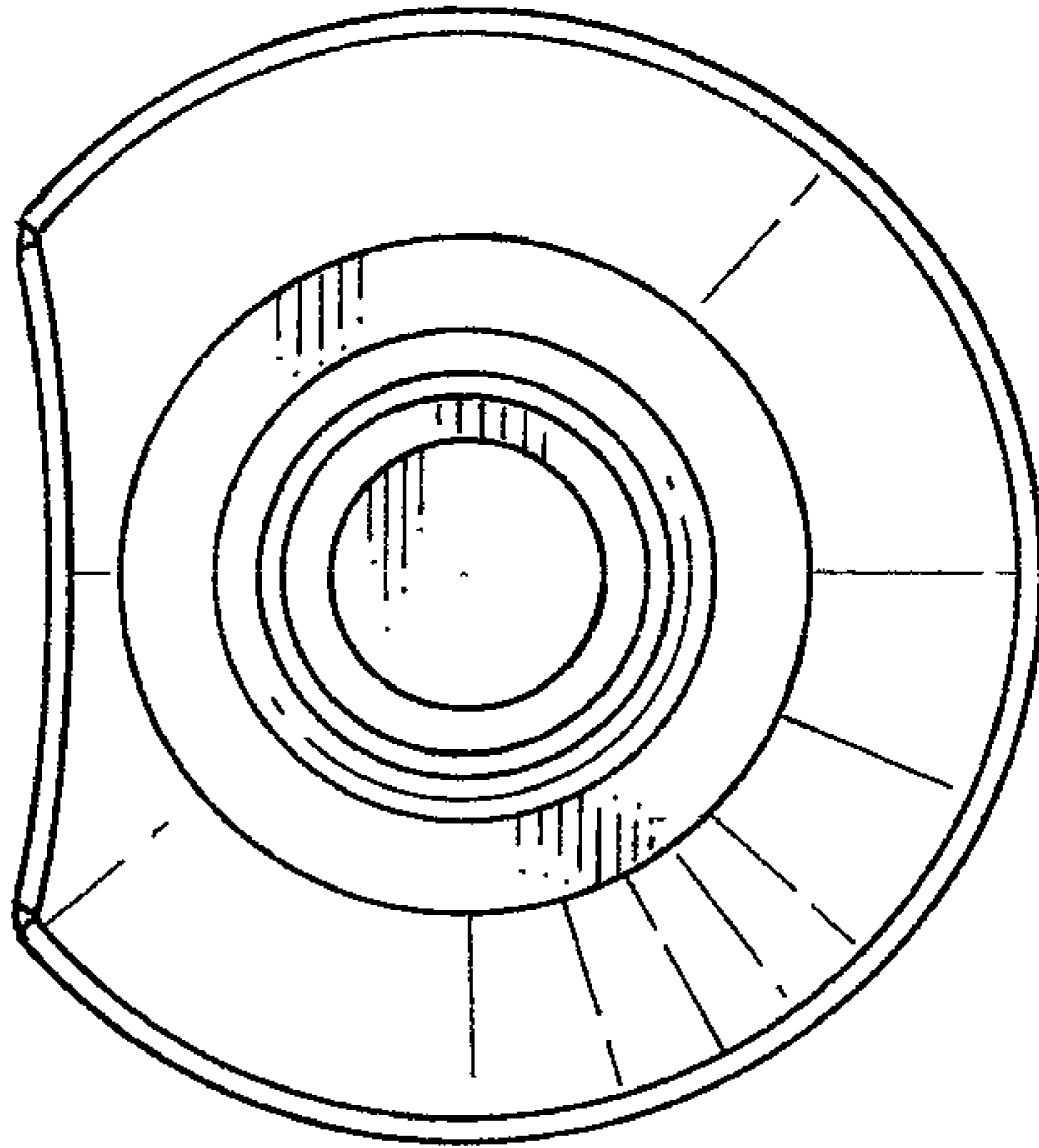


FIG. 7