



US00D594118S

(12) **United States Design Patent**
Bergstraesser et al.

(10) **Patent No.:** **US D594,118 S**
(45) **Date of Patent:** **** Jun. 9, 2009**

(54) **LOCKING LEVER FOR CARTRIDGE**

(75) Inventors: **Andreas Bergstraesser**, Albaching (DE); **Dirk Mueller**, Munich (DE)

(73) Assignee: **3M Innovative Properties Company**, St. Paul, MN (US)

(**) Term: **14 Years**

(21) Appl. No.: **29/248,852**

(22) Filed: **Sep. 8, 2006**

(30) **Foreign Application Priority Data**

Mar. 8, 2006 (EM) 000491659-0001

(51) **LOC (9) Cl.** **24-02**

(52) **U.S. Cl.** **D24/133; D24/128; D24/152**

(58) **Field of Classification Search** D24/108, D24/152, 133; 366/602, 110, 139, 209; 222/325, 222/386, 137; 433/27, 82, 89; 604/218
See application file for complete search history.

(56) **References Cited**

U.S. PATENT DOCUMENTS

D467,659 S * 12/2002 Horth D24/152
2005/0049558 A1* 3/2005 Knee et al. 604/218

OTHER PUBLICATIONS

Brochure entitled "Five Stars—Top Quality in the Most Convenient Cartridge Systems" from DMG Hamburg, Hamburg, Germany (3 pgs.), Oct. 15, 2000.

Katalog 2002/2003 from Kaniedenta (2 pgs.), 2002.

Katalog 2003 from Kaniedenta (2 pgs.), 2003.

* cited by examiner

Primary Examiner—Ian Simmons

Assistant Examiner—Christopher Lee

(74) *Attorney, Agent, or Firm*—Peter L. Olson

(57) **CLAIM**

The ornamental design for a locking lever for cartridge, substantially as shown and described.

DESCRIPTION

FIG. 1 is a perspective view of a locking lever for cartridge showing our new design;

FIG. 2 is a front elevational view thereof;

FIG. 3 is a rear elevational view thereof;

FIG. 4 is a top plan view thereof;

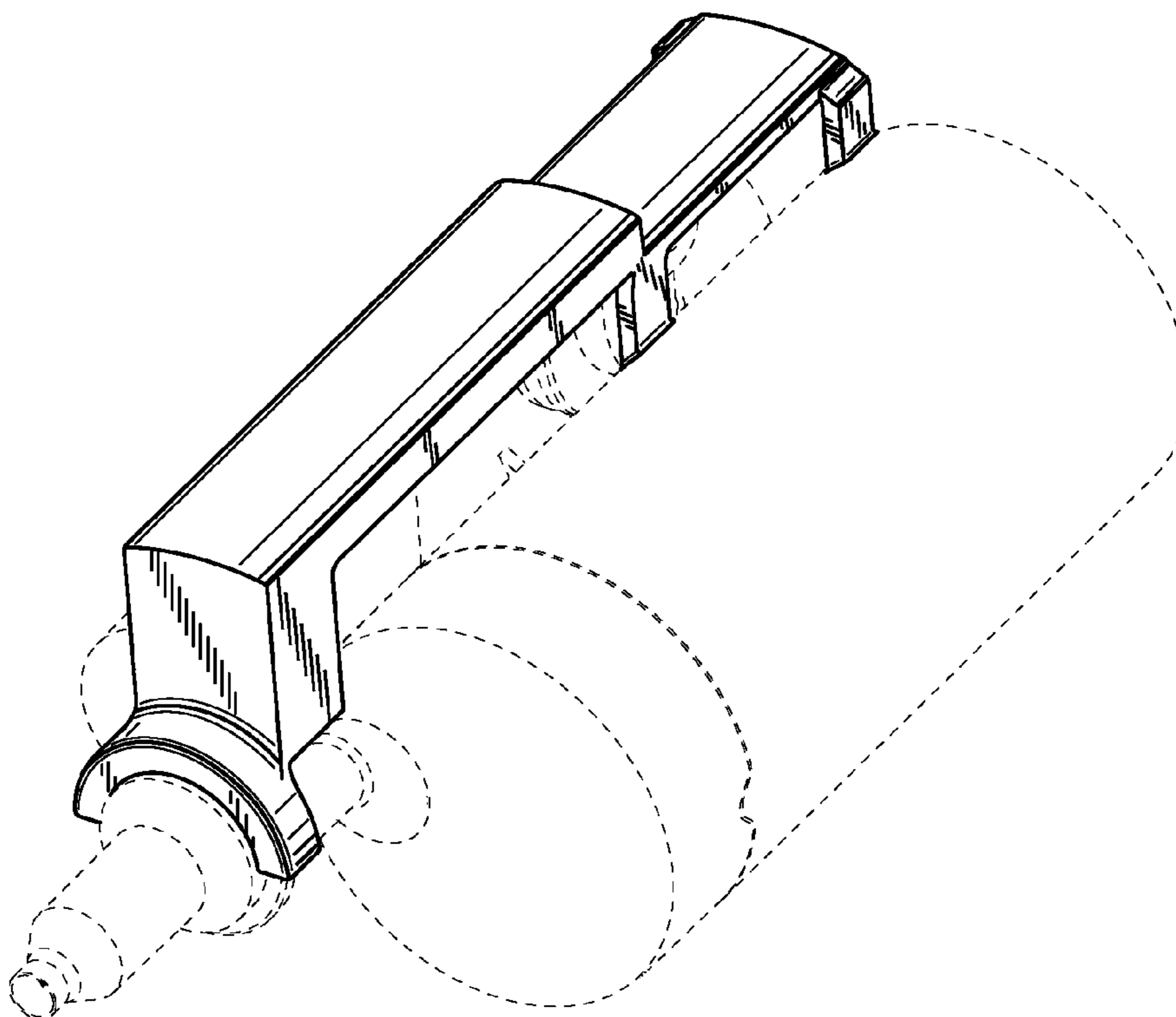
FIG. 5 is a bottom plan view thereof;

FIG. 6 is a left side elevational view thereof; and,

FIG. 7 is a right side elevational view thereof.

The broken line drawing in all figure views is for illustrative purposes only, and forms no part of the claimed design.

1 Claim, 3 Drawing Sheets



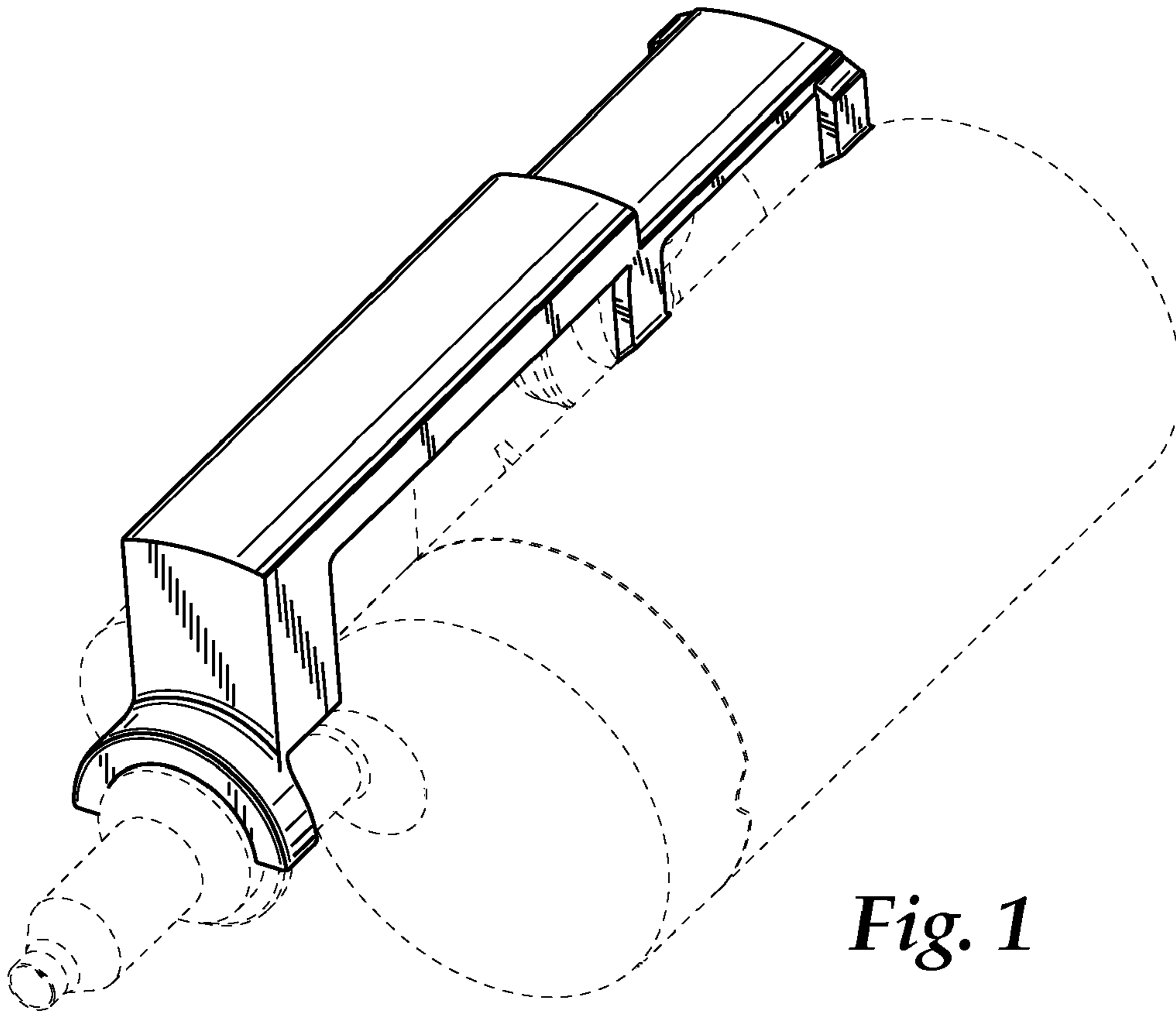


Fig. 1

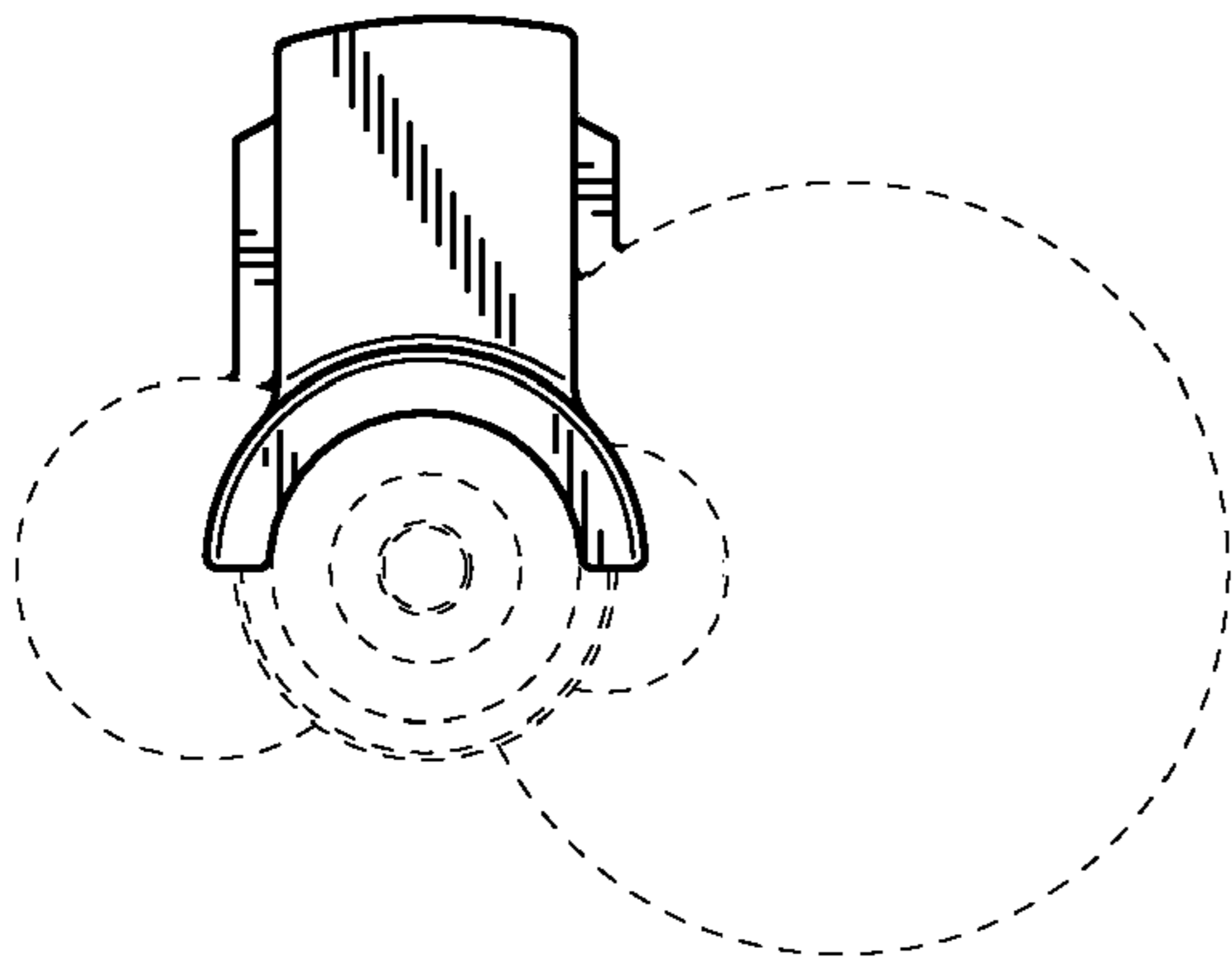


Fig. 2

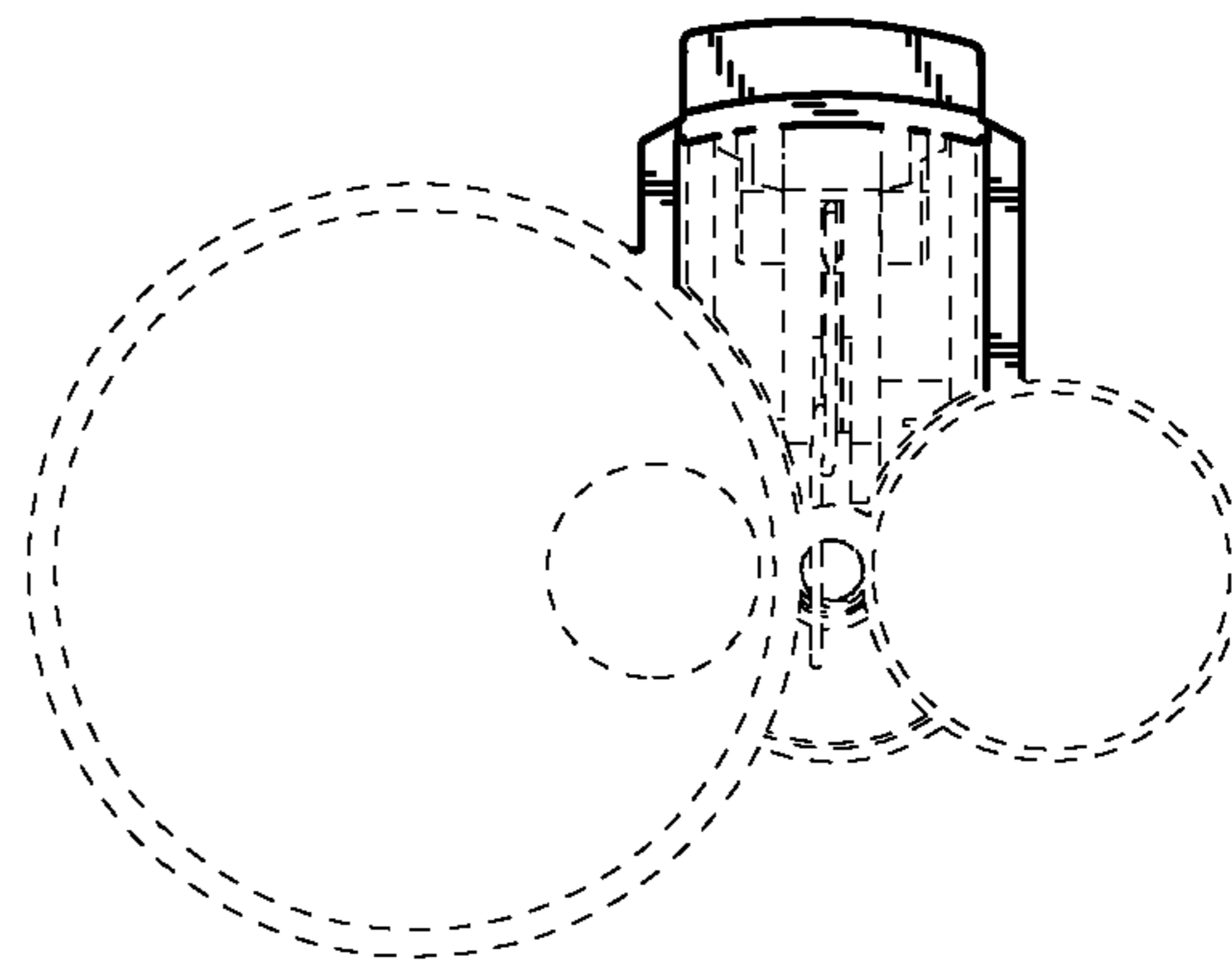


Fig. 3

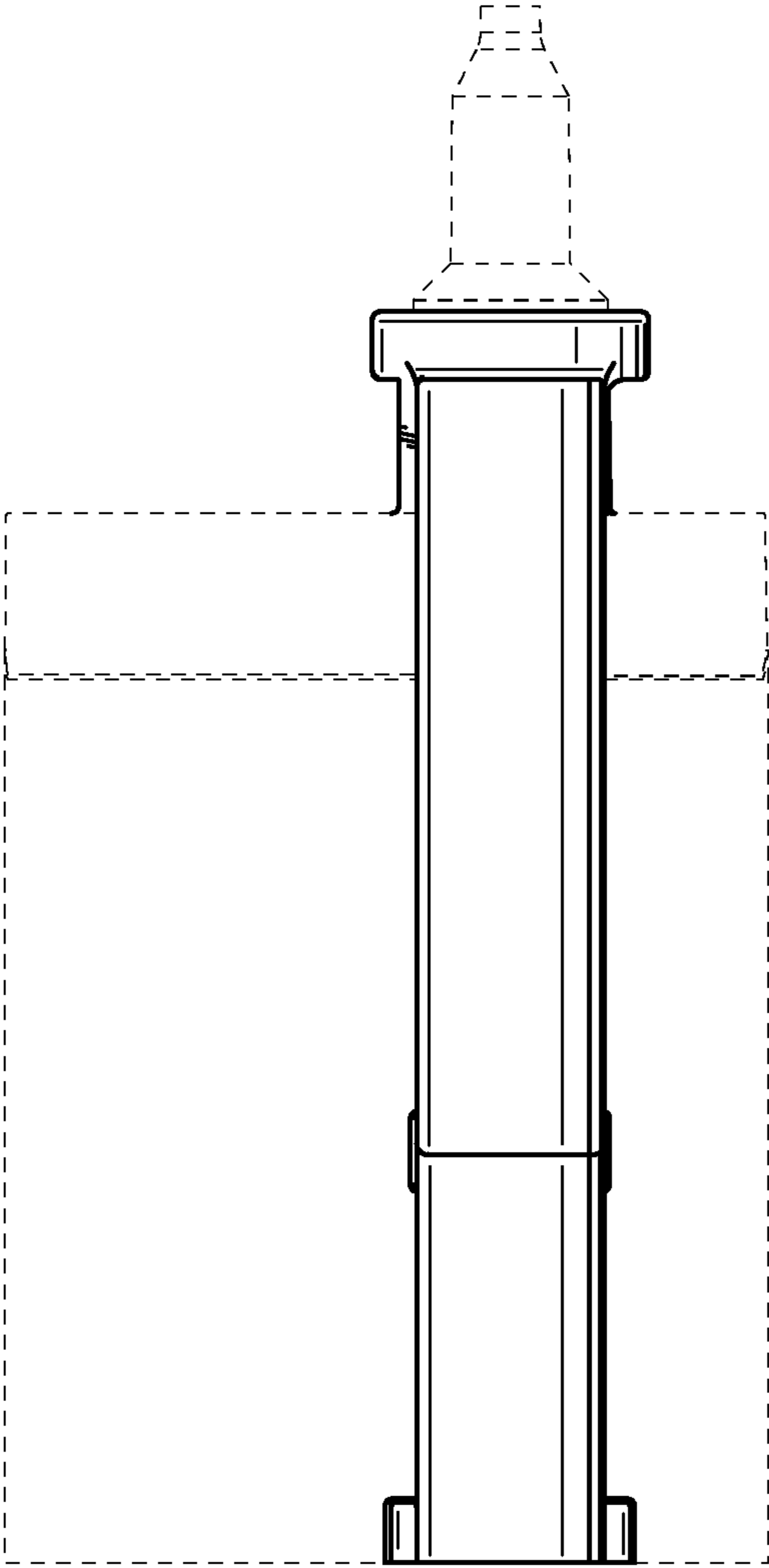


Fig. 4

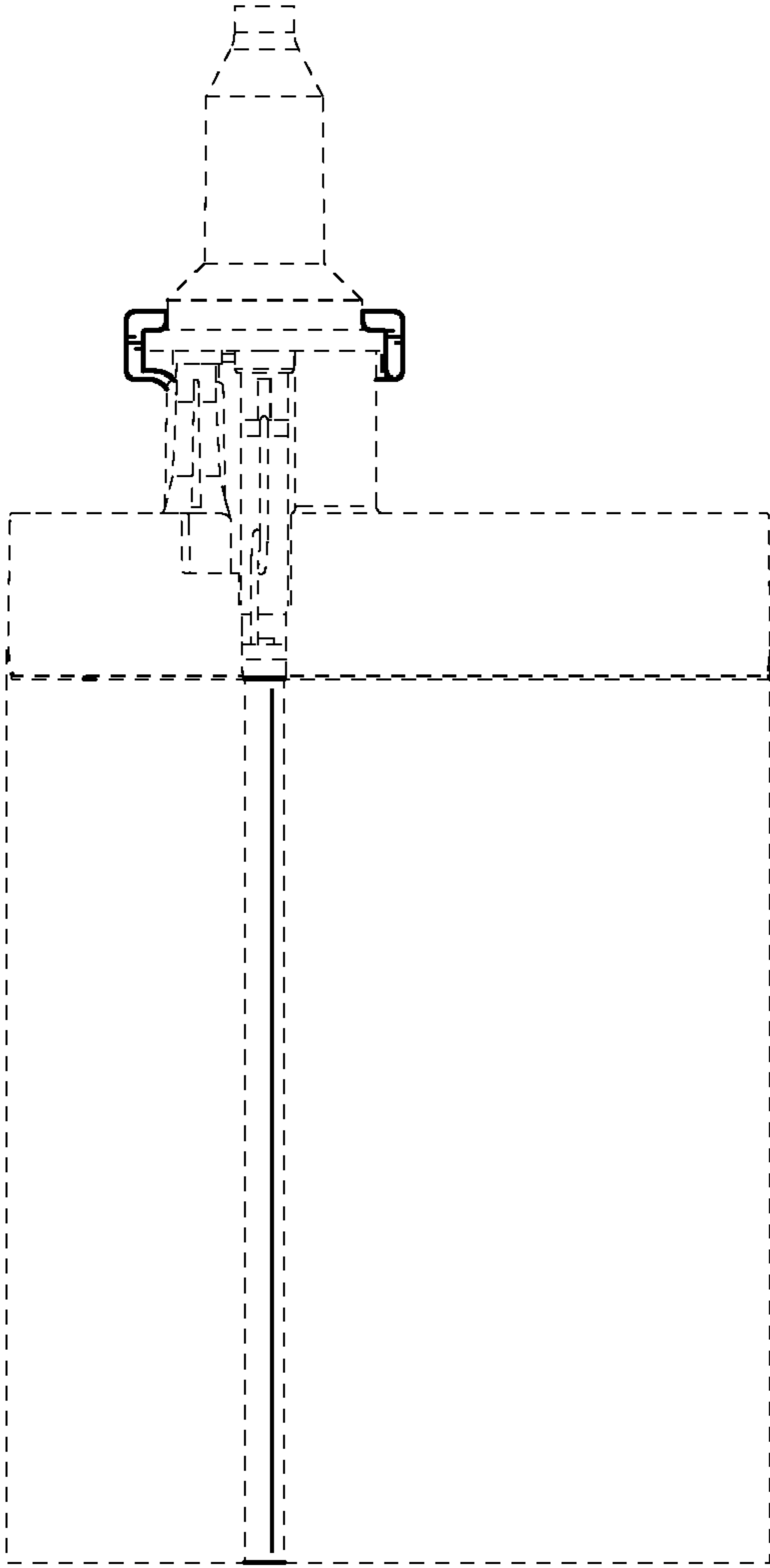


Fig. 5

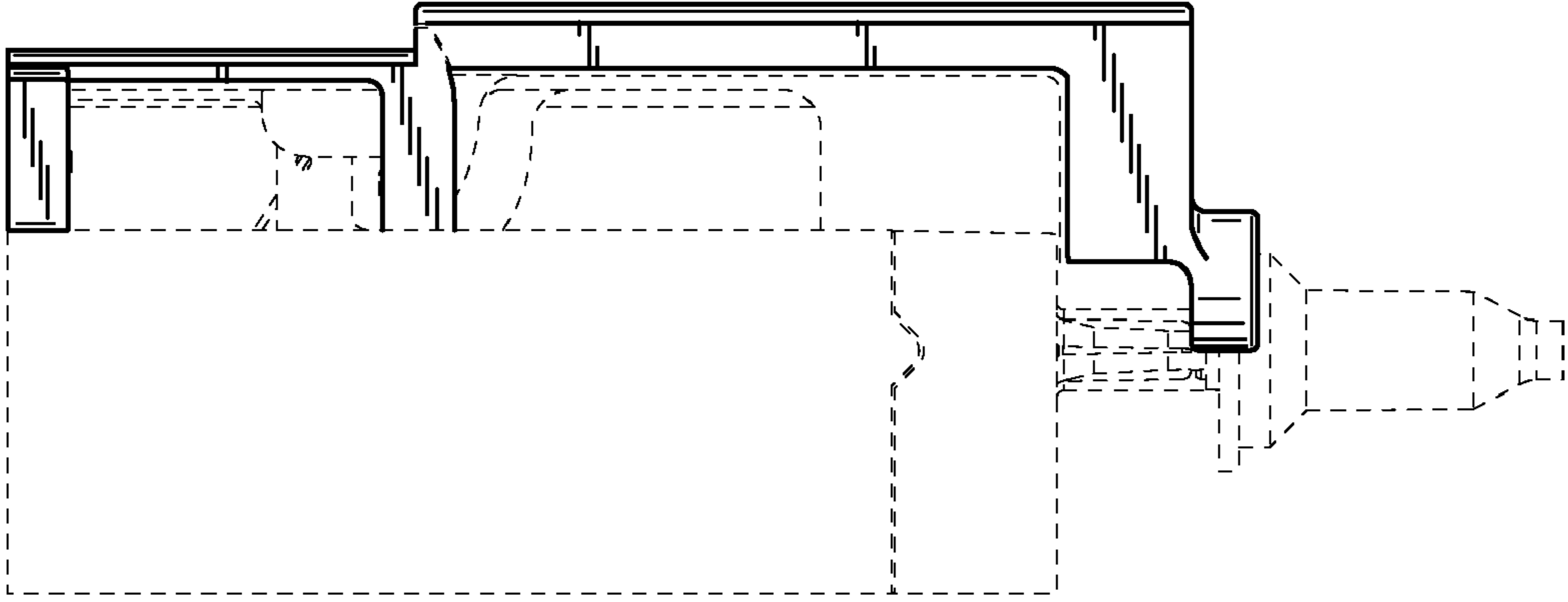


Fig. 6

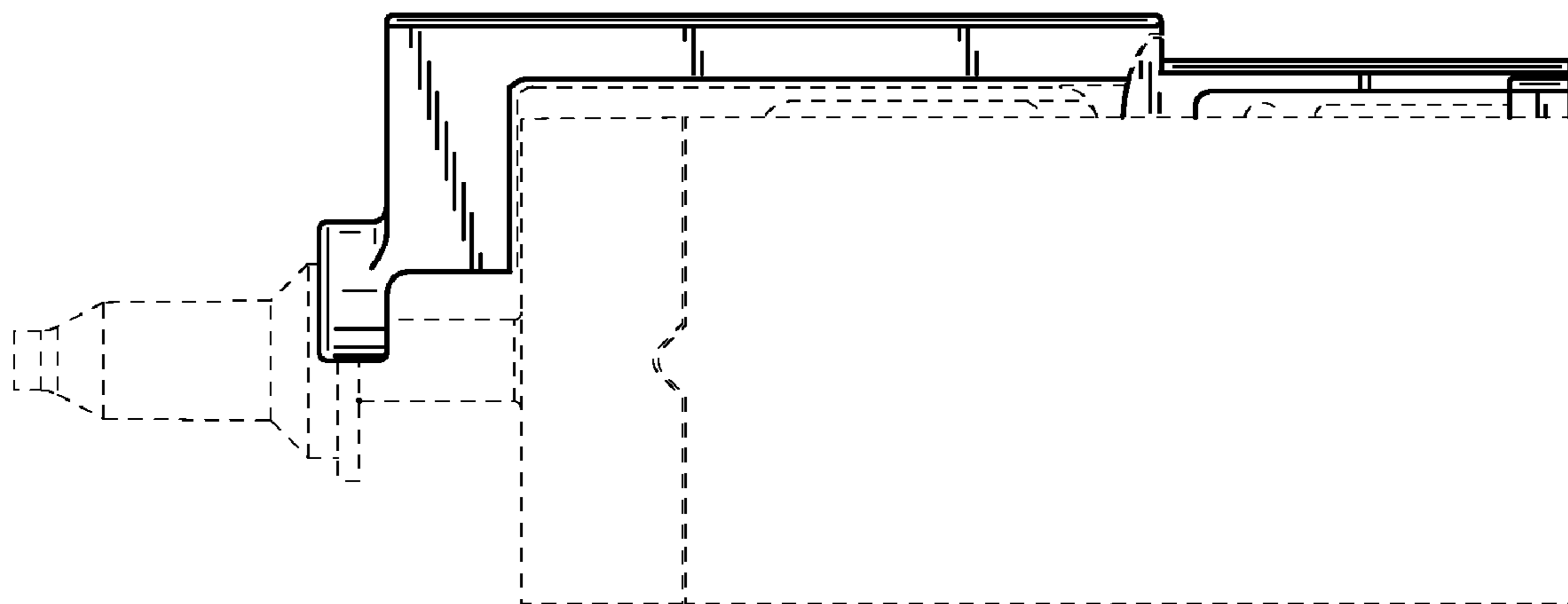


Fig. 7