



US00D594114S

(12) **United States Design Patent**
Locke et al.

(10) **Patent No.:** **US D594,114 S**
(45) **Date of Patent:** **** Jun. 9, 2009**

(54) **CANISTER FOR A REDUCED PRESSURE TREATMENT SYSTEM**

(75) Inventors: **Christopher Brian Locke**,
Boumemouth (GB); **Aidan Marcus**
Tout, Nomanaland (GB)

(73) Assignee: **KCI Licensing, Inc.**, San Antonio, TX
(US)

(**) Term: **14 Years**

(21) Appl. No.: **29/285,596**

(22) Filed: **Apr. 2, 2007**

(51) **LOC (9) Cl.** **24-02**

(52) **U.S. Cl.** **D24/111**

(58) **Field of Classification Search** D24/108,
D24/111-112, 129, 169, 186, 121; 604/313,
604/317, 327, 543, 640, 151-155, 30, 35,
604/902, 131, 73, 290

See application file for complete search history.

(56) **References Cited**

U.S. PATENT DOCUMENTS

D353,667 S *	12/1994	Tsubota et al.	D24/111
D374,931 S *	10/1996	Cesaroni et al.	D24/169
D380,546 S *	7/1997	Clegg et al.	D24/111
6,358,239 B1 *	3/2002	Rake et al.	604/890.1
D469,176 S *	1/2003	Hall et al.	D24/111

D478,984 S *	8/2003	Hall et al.	D24/111
D546,440 S *	7/2007	Burnside	D24/108
D557,803 S *	12/2007	Muri et al.	D24/111
D565,177 S *	3/2008	Locke et al.	D24/111
2004/0006319 A1 *	1/2004	Lina et al.	604/304

* cited by examiner

Primary Examiner—Ian Simmons
Assistant Examiner—Wan Laymon

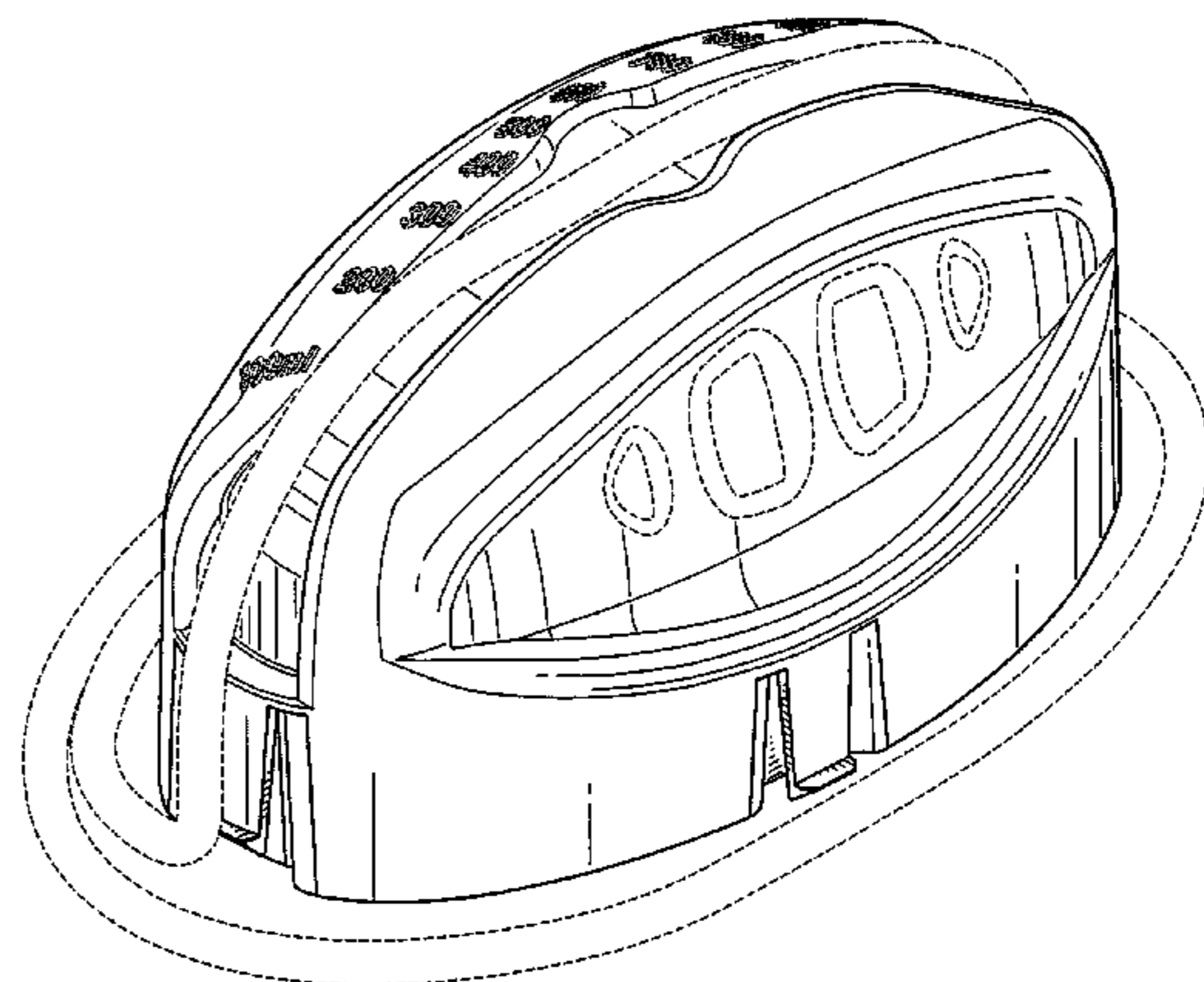
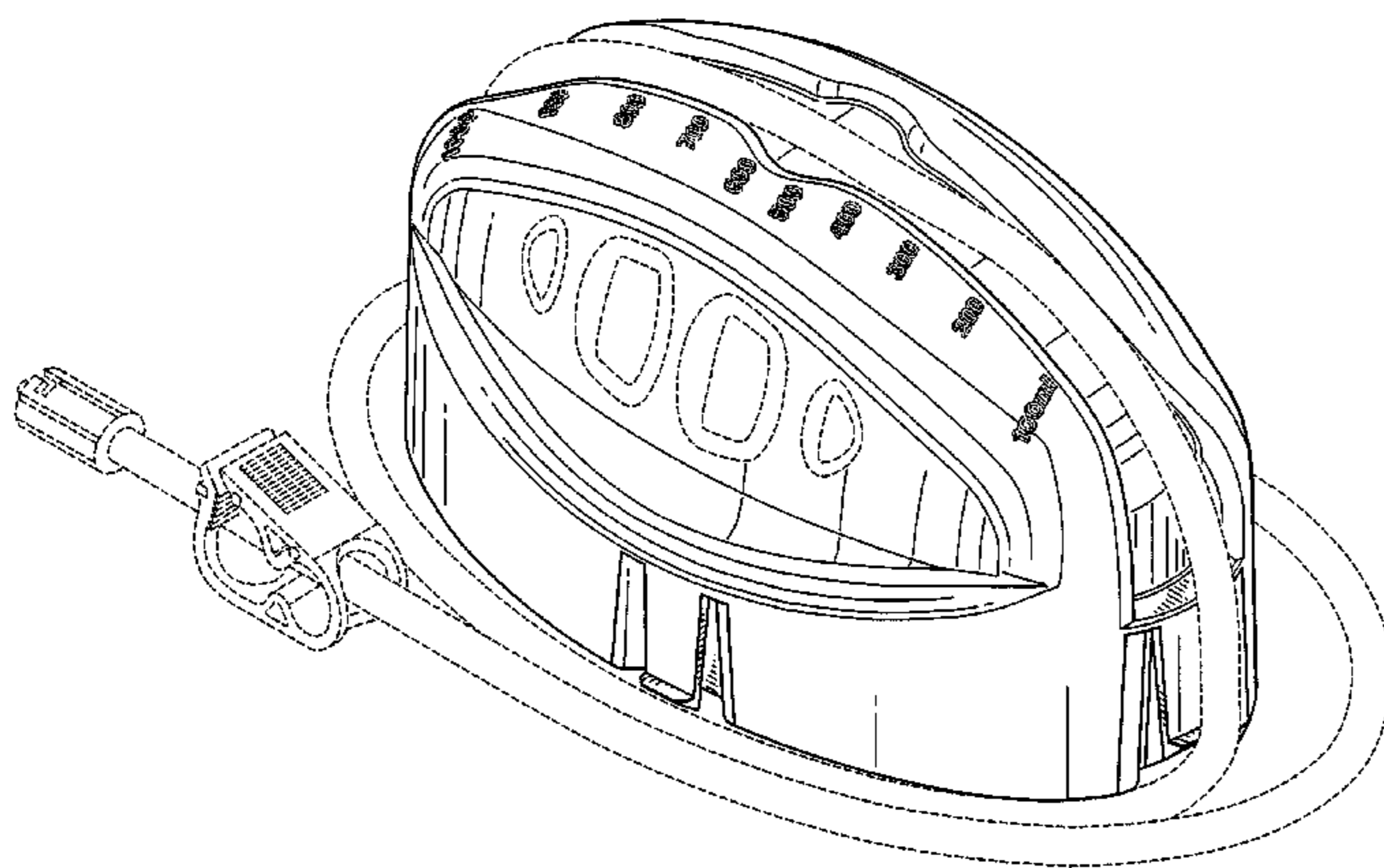
(57) **CLAIM**

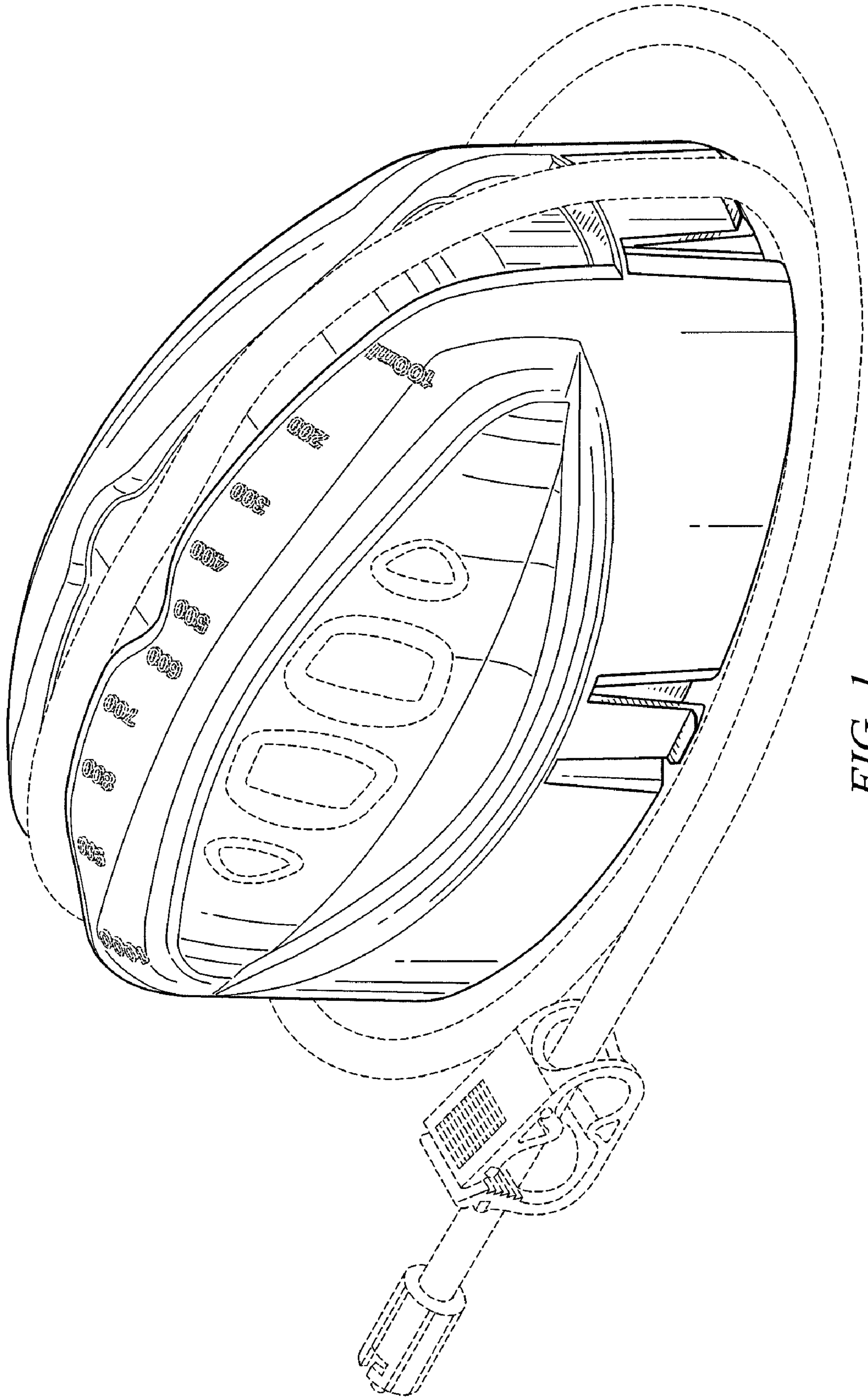
The ornamental design for a canister for a reduced pressure treatment system, as shown and described.

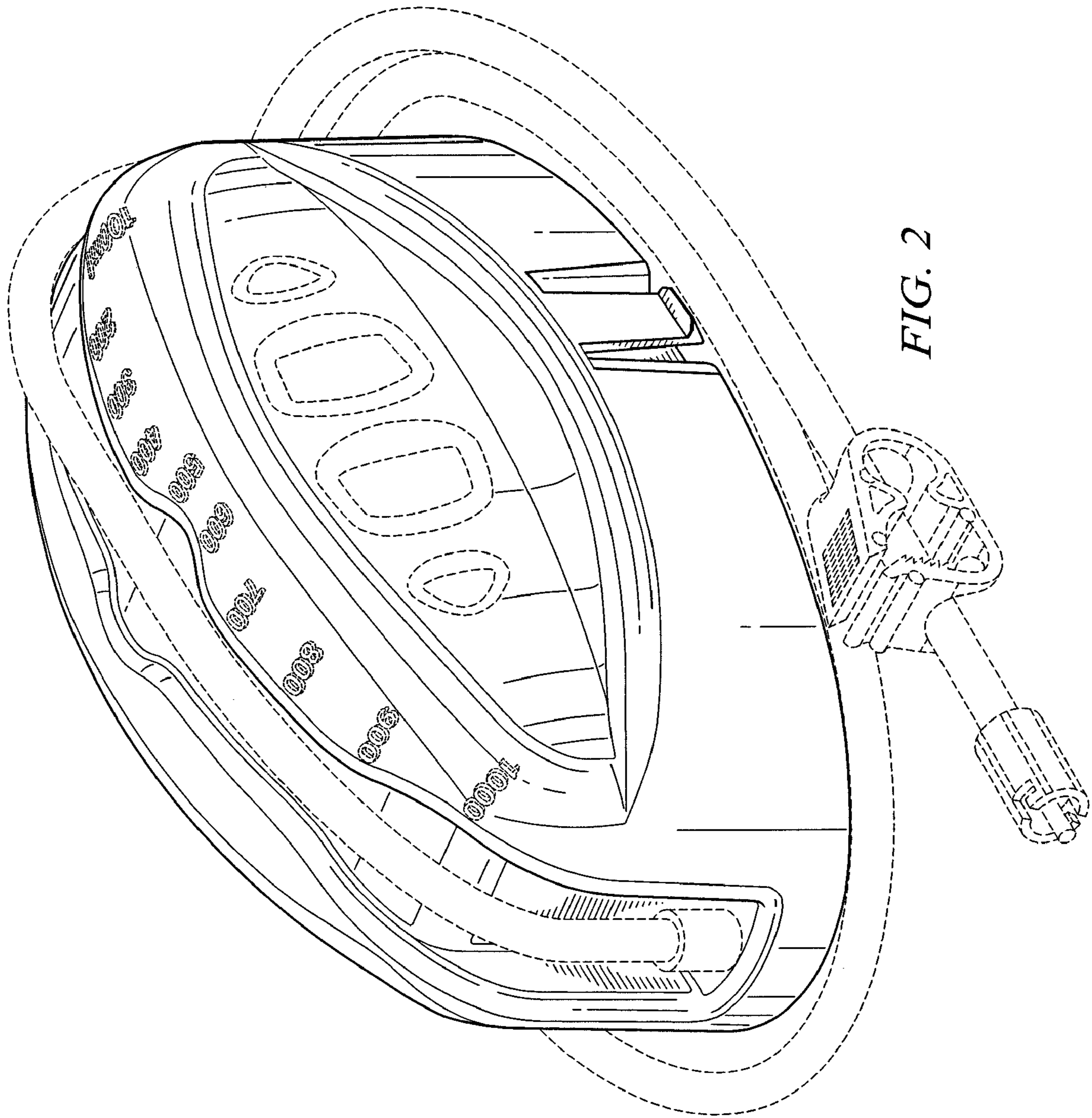
DESCRIPTION

FIG. 1 is a top and right side perspective view of a canister for a reduced pressure treatment system showing our new design; FIG. 2 is a top and left side perspective view thereof; FIG. 3 is a top and rear perspective view of FIG. 1; FIG. 4 is a top and rear perspective view of FIG. 2; FIG. 5 is a top view thereof; FIG. 6 is a bottom view thereof; FIG. 7 is a right side view thereof; FIG. 8 is a left side view thereof; FIG. 9 is a right end view thereof; and, FIG. 10 is a left end view thereof.

1 Claim, 9 Drawing Sheets







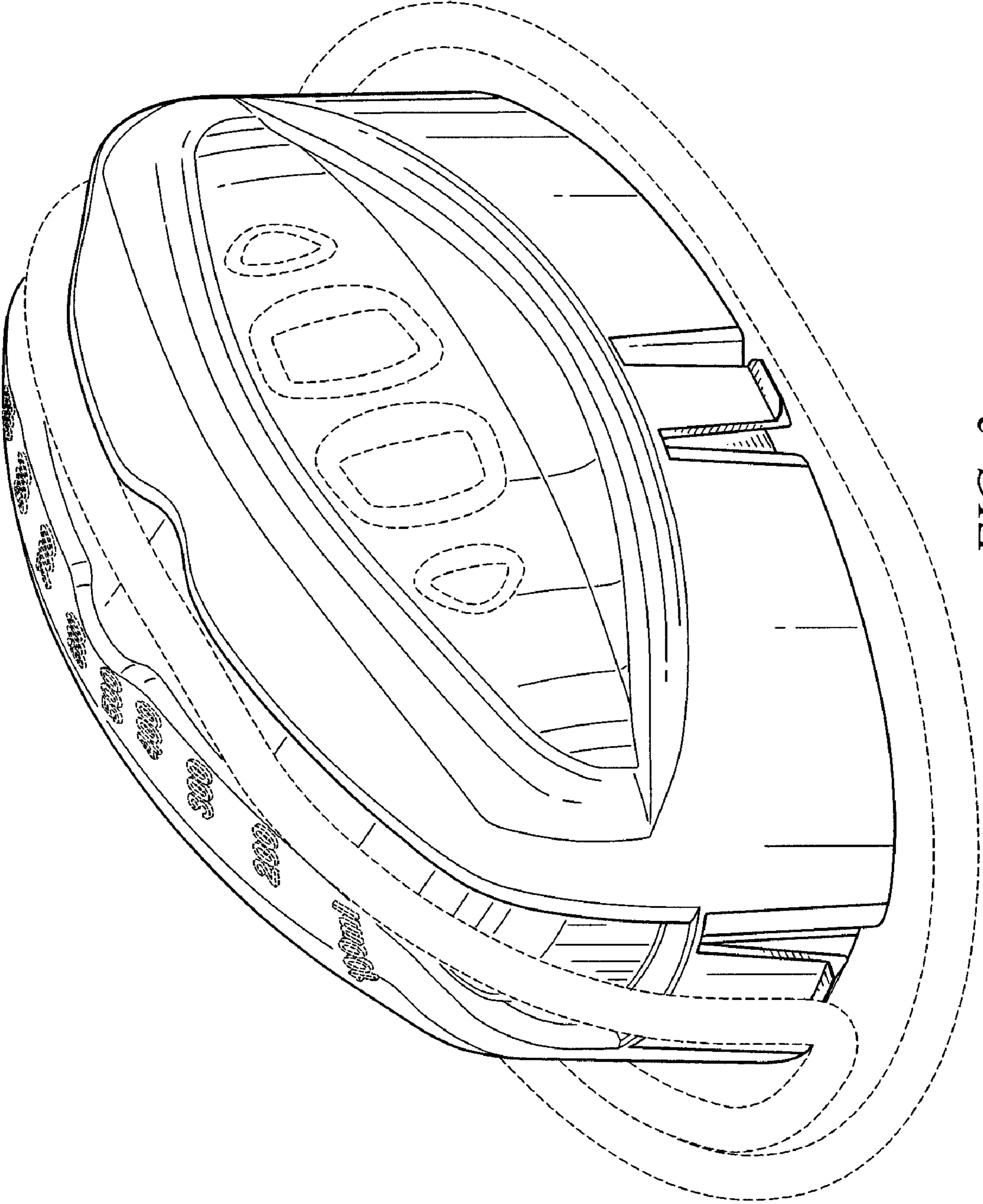


FIG. 3

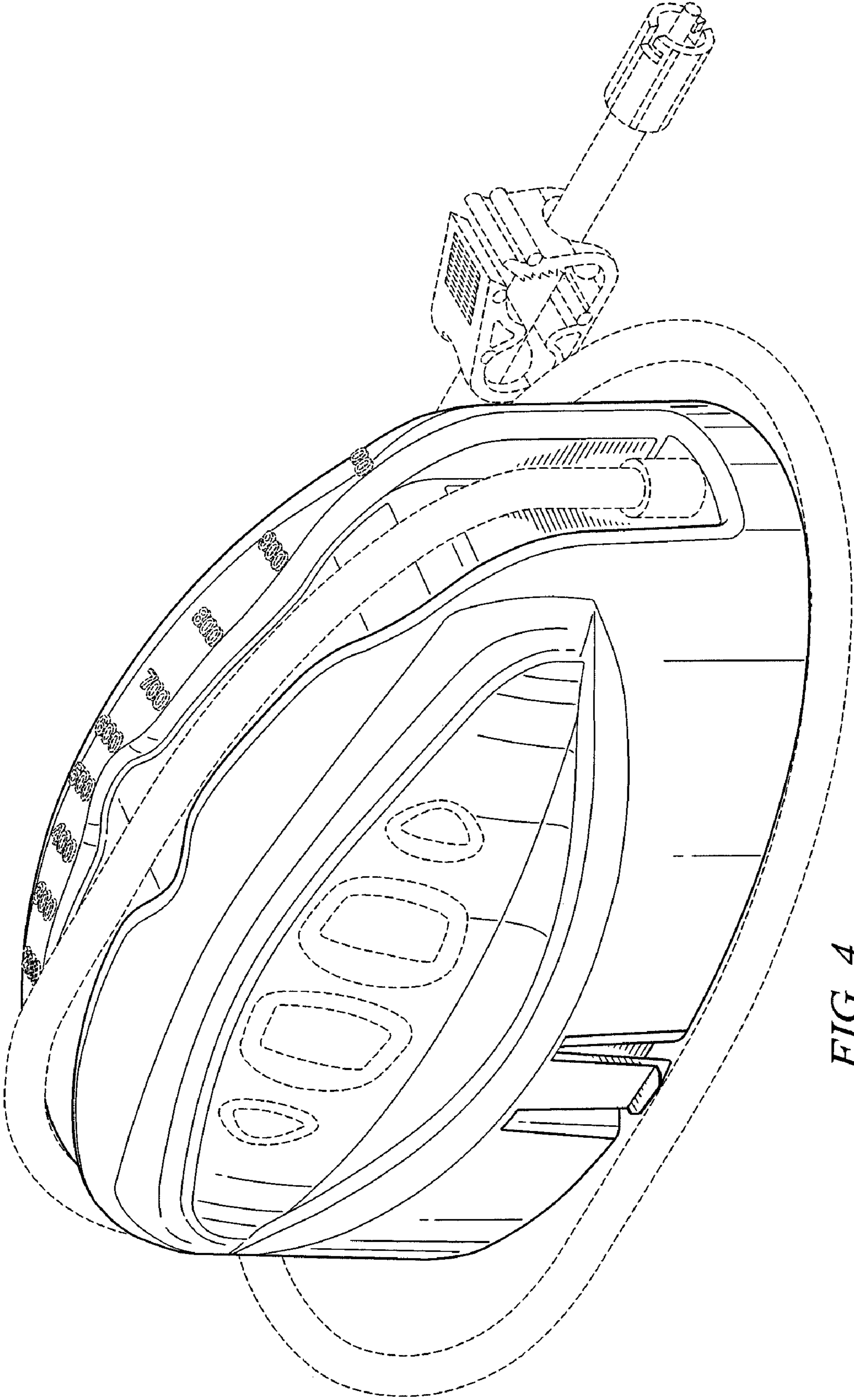


FIG. 4

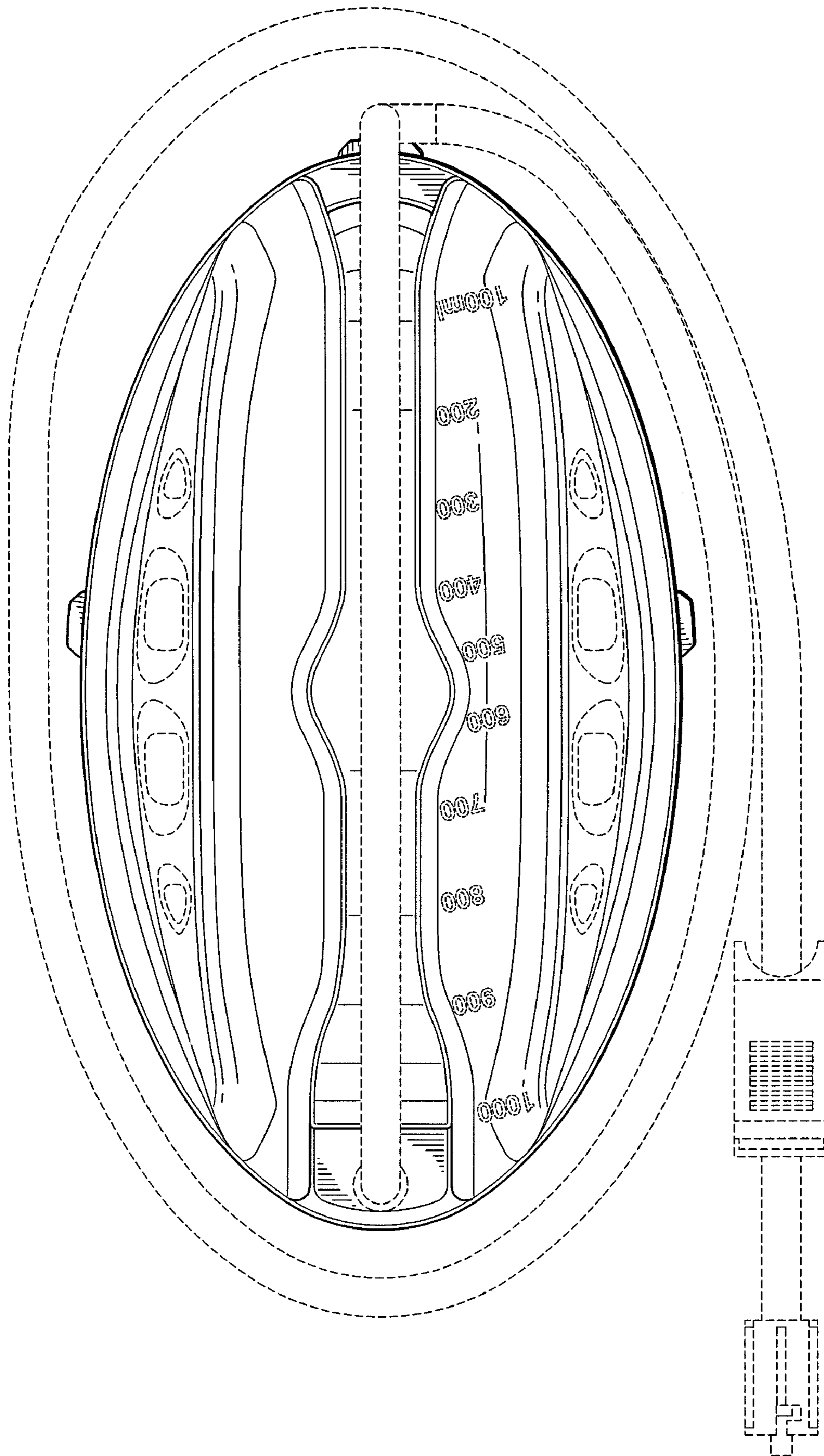


FIG. 5

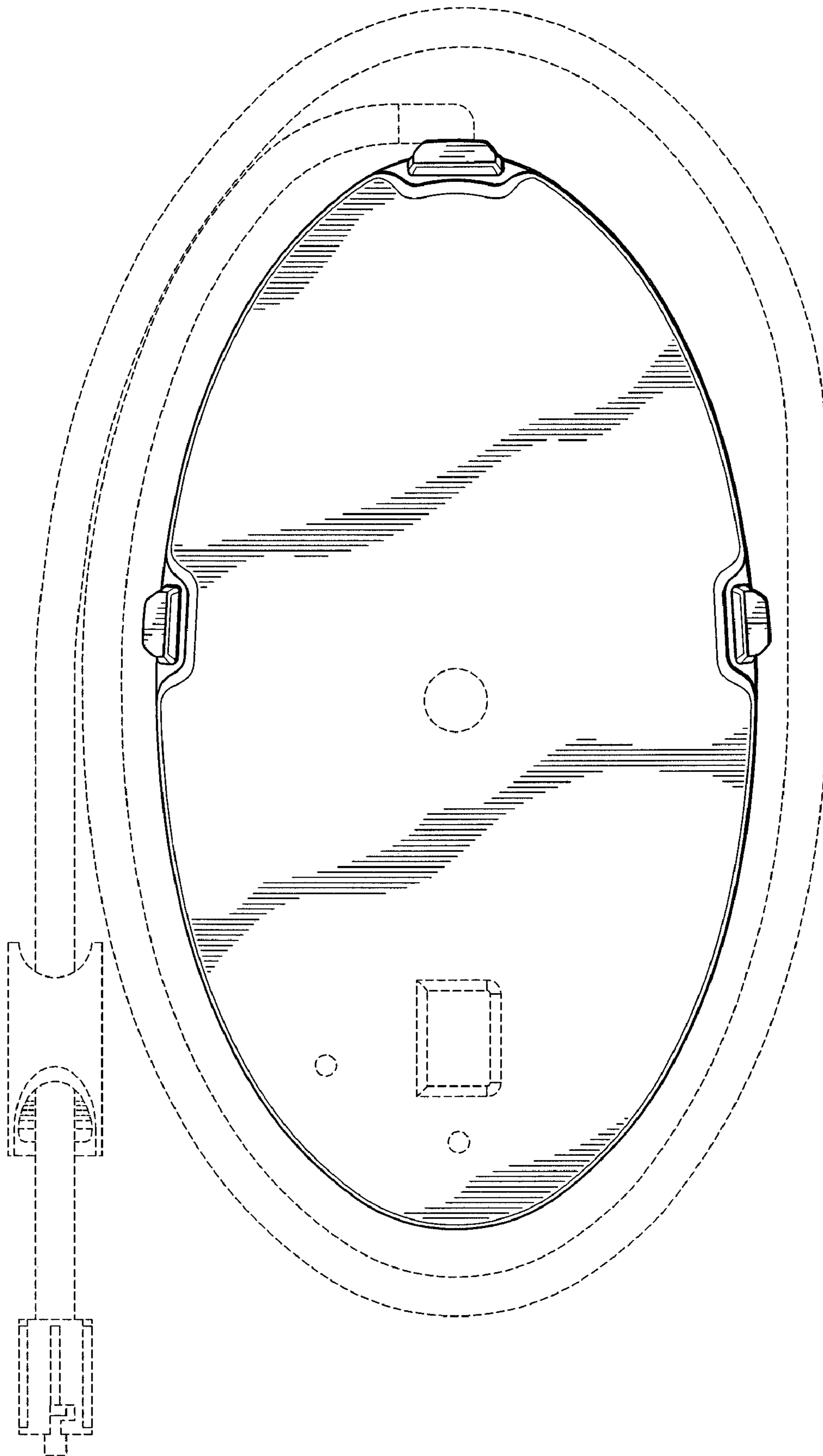


FIG. 6

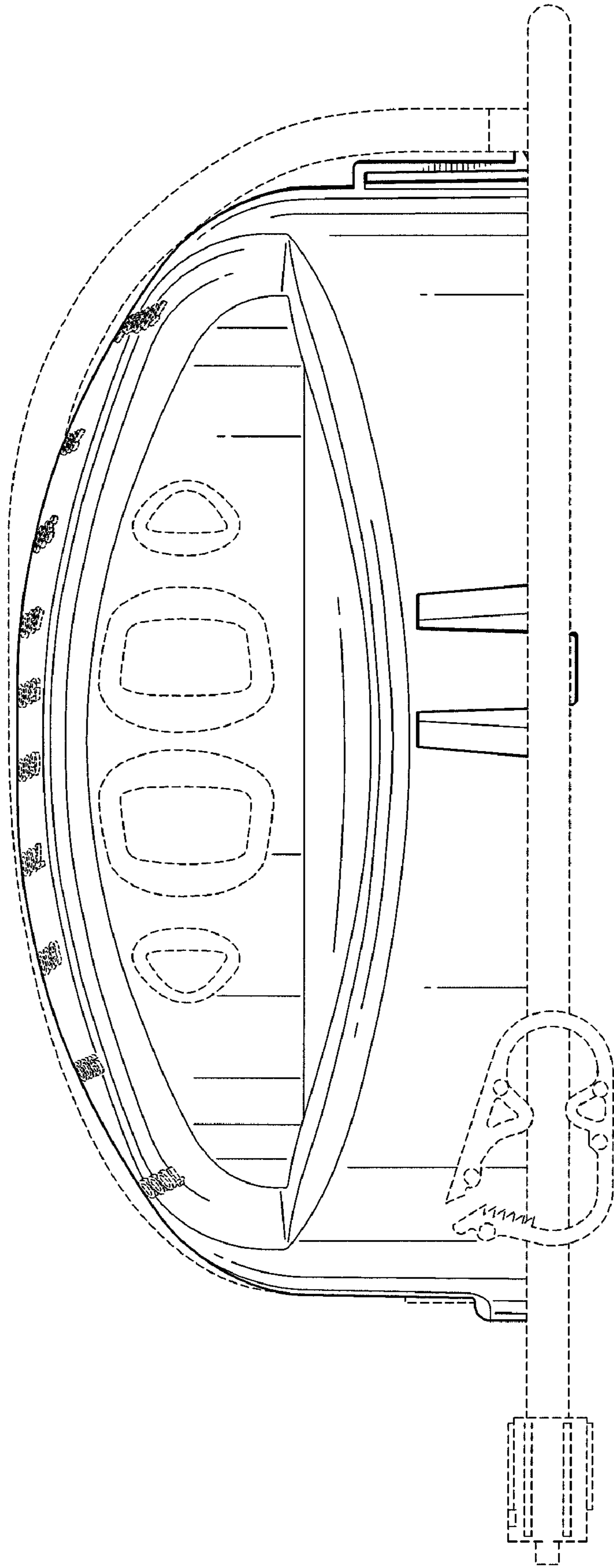


FIG. 7

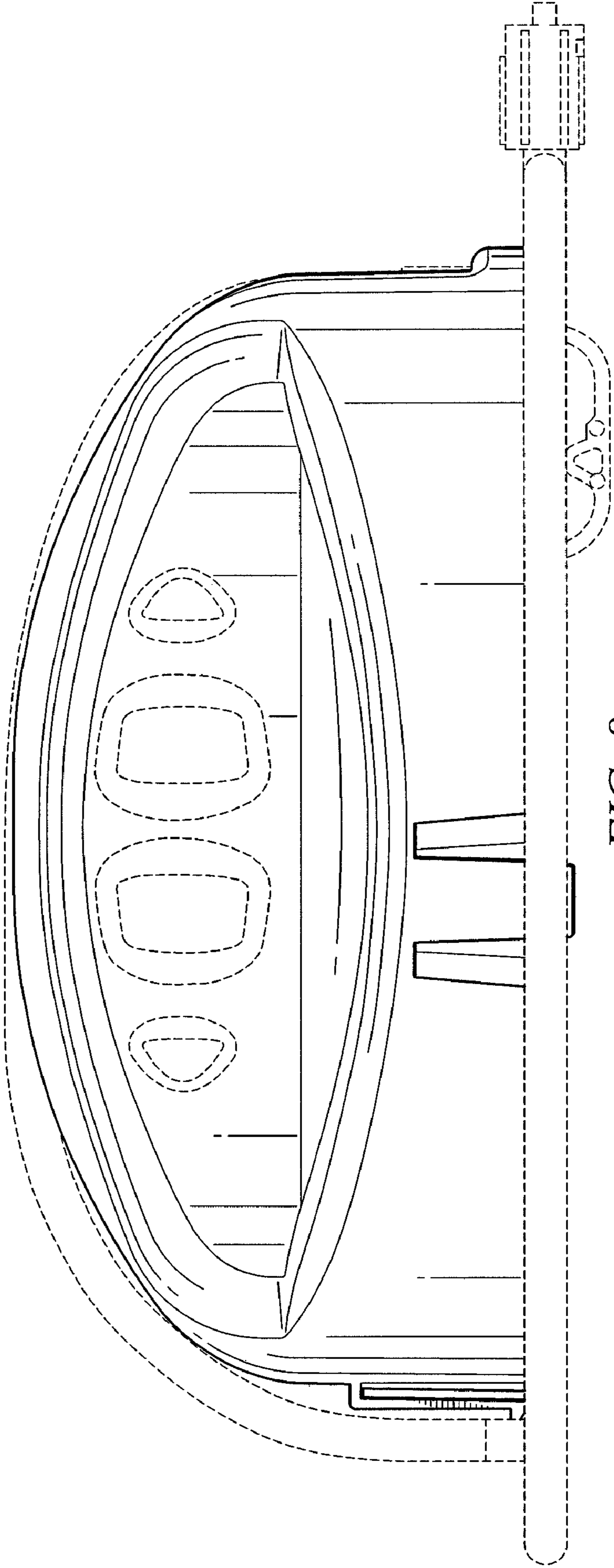


FIG. 8

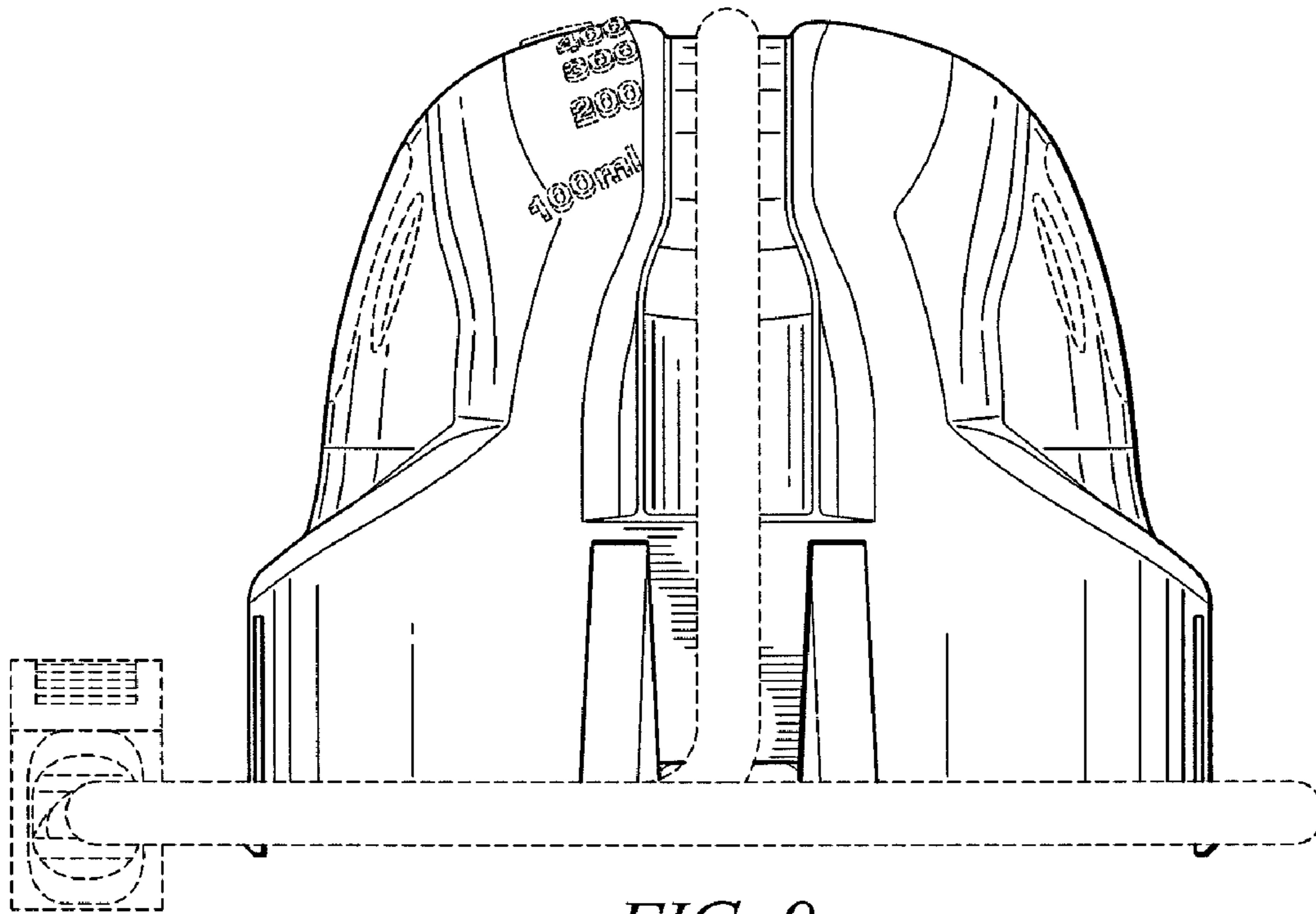


FIG. 9

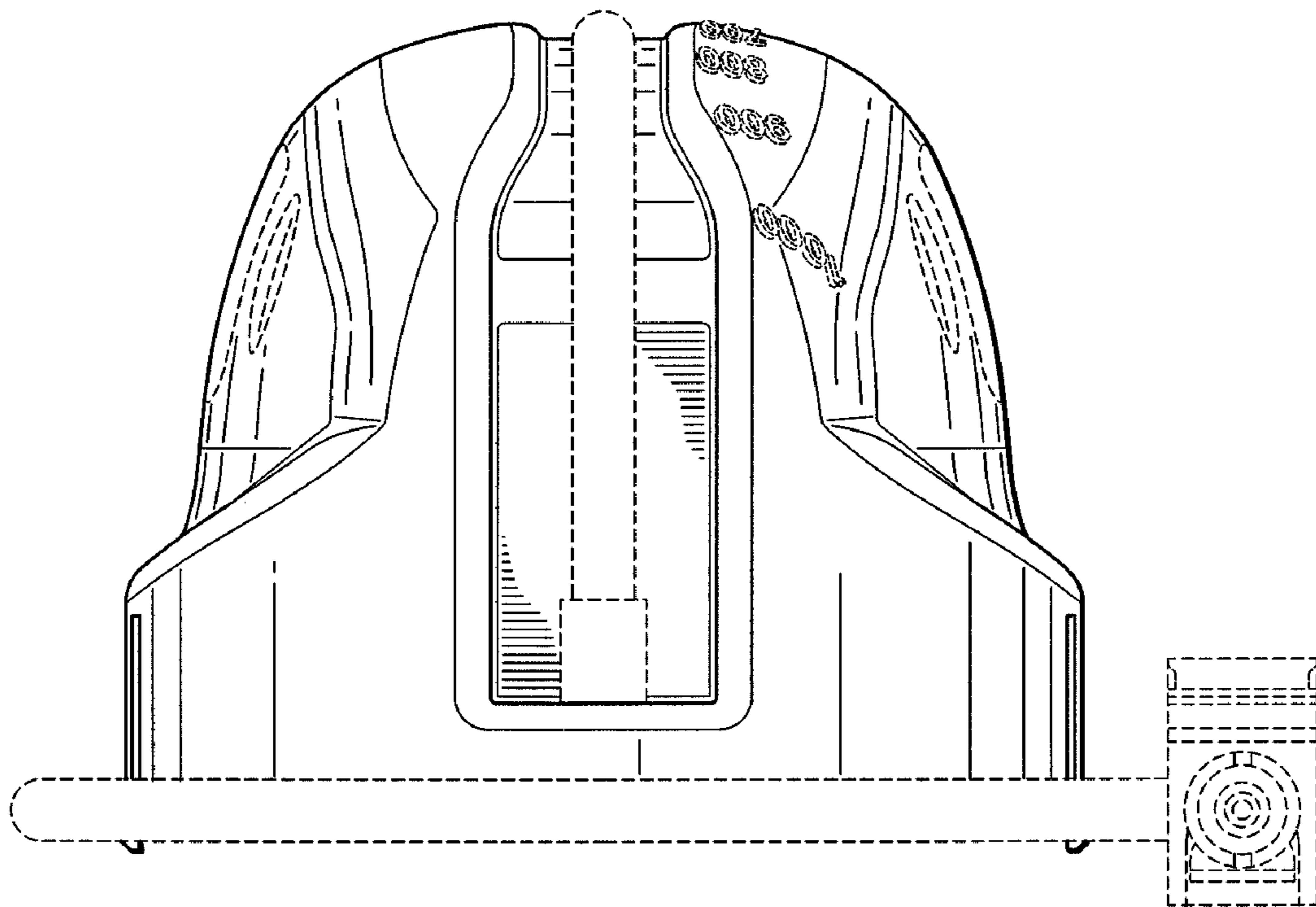


FIG. 10