

US00D594113S

(12) **United States Design Patent**  
**Reid et al.**

(10) **Patent No.:** **US D594,113 S**  
(45) **Date of Patent:** **\*\* Jun. 9, 2009**

(54) **VENT FOR A RESPIRATORY MASK**

6,907,882 B2 6/2005 Ging  
D535,023 S \* 1/2007 Smart et al. .... D24/110.1  
D579,105 S \* 10/2008 Jones et al. .... D24/110.1

(75) Inventors: **Michael John Reid**, Stanmore (AU);  
**Alison Oldenburg**, Crows Nest (AU);  
**Lemmy Nga**, Glenwood (AU)

FOREIGN PATENT DOCUMENTS

(73) Assignee: **ResMed Limited**, Bella Vista (AU)

WO WO 2005/051468 6/2005

(\*\*) Term: **14 Years**

OTHER PUBLICATIONS

(21) Appl. No.: **29/309,392**

Selvarajan et al., U.S. Appl. No. 26/261,579, filed Jun. 16, 2006.

(22) Filed: **Aug. 7, 2008**

\* cited by examiner

(51) **LOC (9) Cl.** ..... **29-02**

*Primary Examiner*—Ian Simmons

(52) **U.S. Cl.** ..... **D24/110.1; D24/110.4**

*Assistant Examiner*—Christopher Lee

(58) **Field of Classification Search** ..... D24/110,  
D24/110.1, 110.4, 110.5, 129, 164; D8/312,  
D8/397, 68, 70; D15/133, 138, 139, 140;  
D23/225, 213, 366; D28/12–19; 128/205.25,  
128/206.27, 207.13, 207.11

(74) *Attorney, Agent, or Firm*—Nixon & Vanderhye P.C.

See application file for complete search history.

(57) **CLAIM**

(56) **References Cited**

The ornamental design for a vent for a respiratory mask, as shown and described.

U.S. PATENT DOCUMENTS

**DESCRIPTION**

D218,009 S \* 7/1970 Bosack ..... D8/312  
D387,734 S \* 12/1997 Hawkins et al. .... D13/158  
D416,060 S \* 11/1999 Angeles ..... D21/694  
6,467,483 B1 10/2002 Kopacko  
D470,976 S \* 2/2003 Rizzuto, Jr. .... D28/13  
6,691,707 B1 2/2004 Gunaratnam  
D496,098 S 9/2004 Guney  
6,851,425 B2 2/2005 Jaffre

FIG. 1 is a front perspective view of a vent for a respiratory mask showing our design;

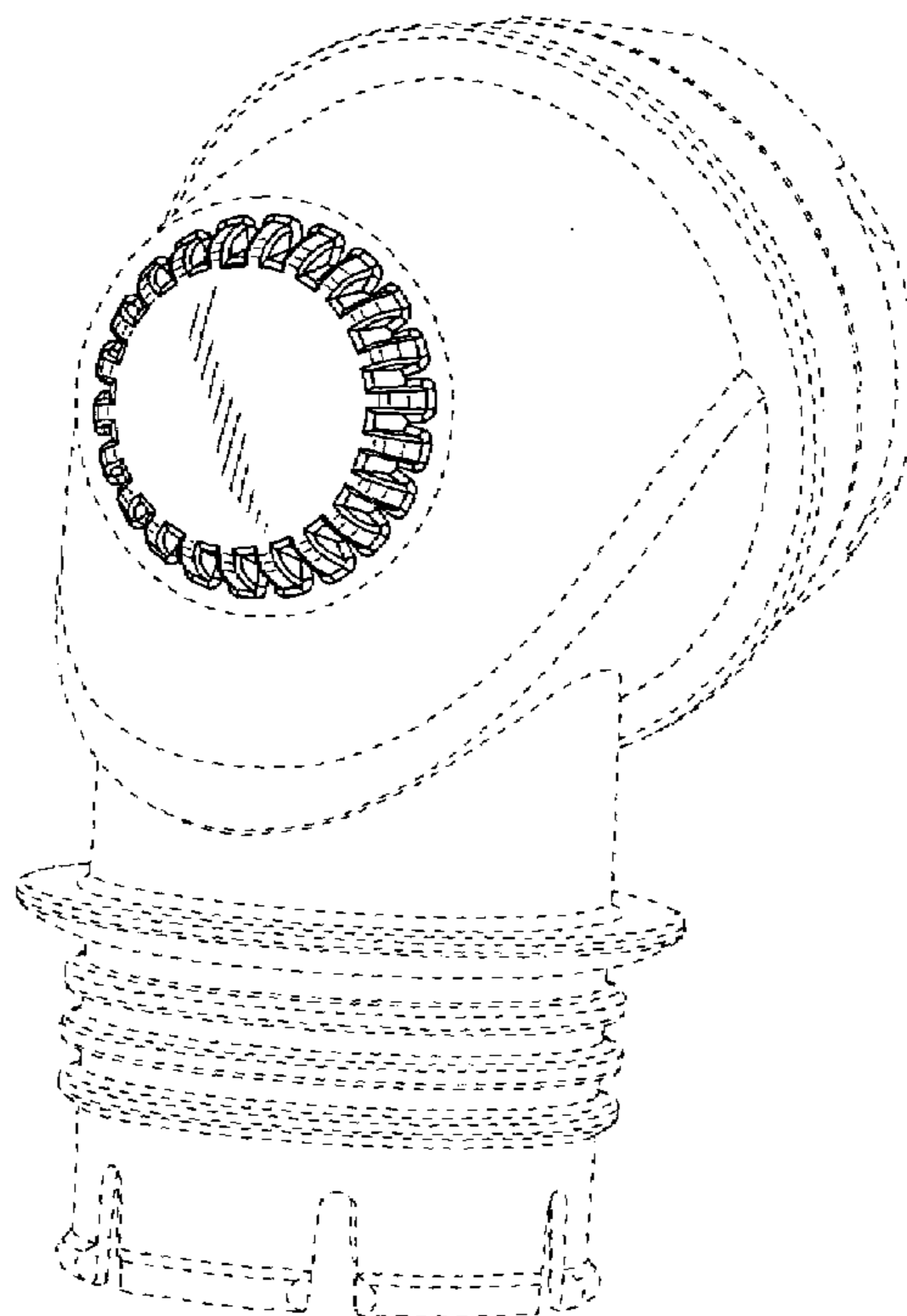
FIG. 2 is front view thereof;

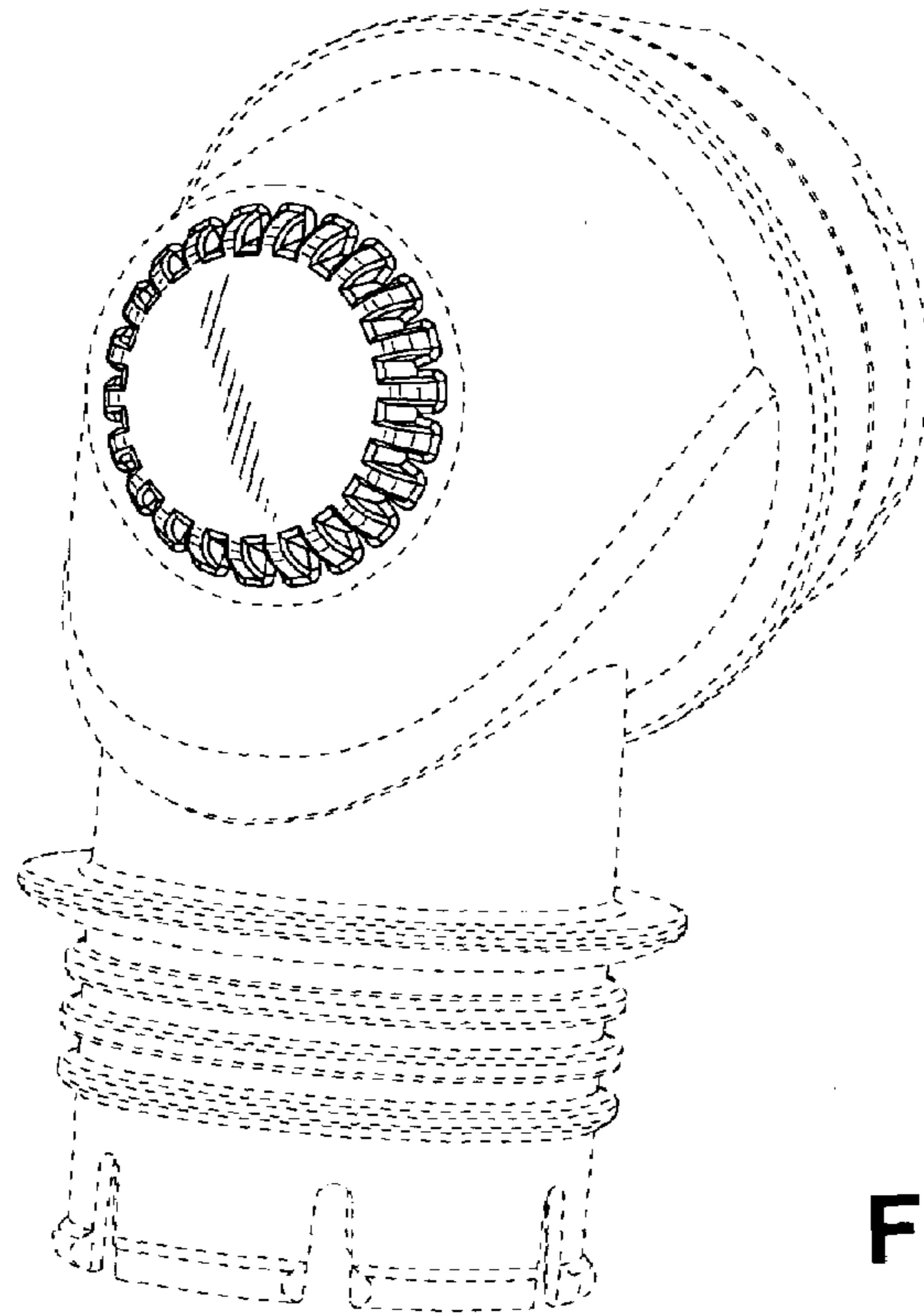
FIG. 3 is a top view thereof; and,

FIG. 4 is a right side view thereof with the left side view being a mirror image thereof.

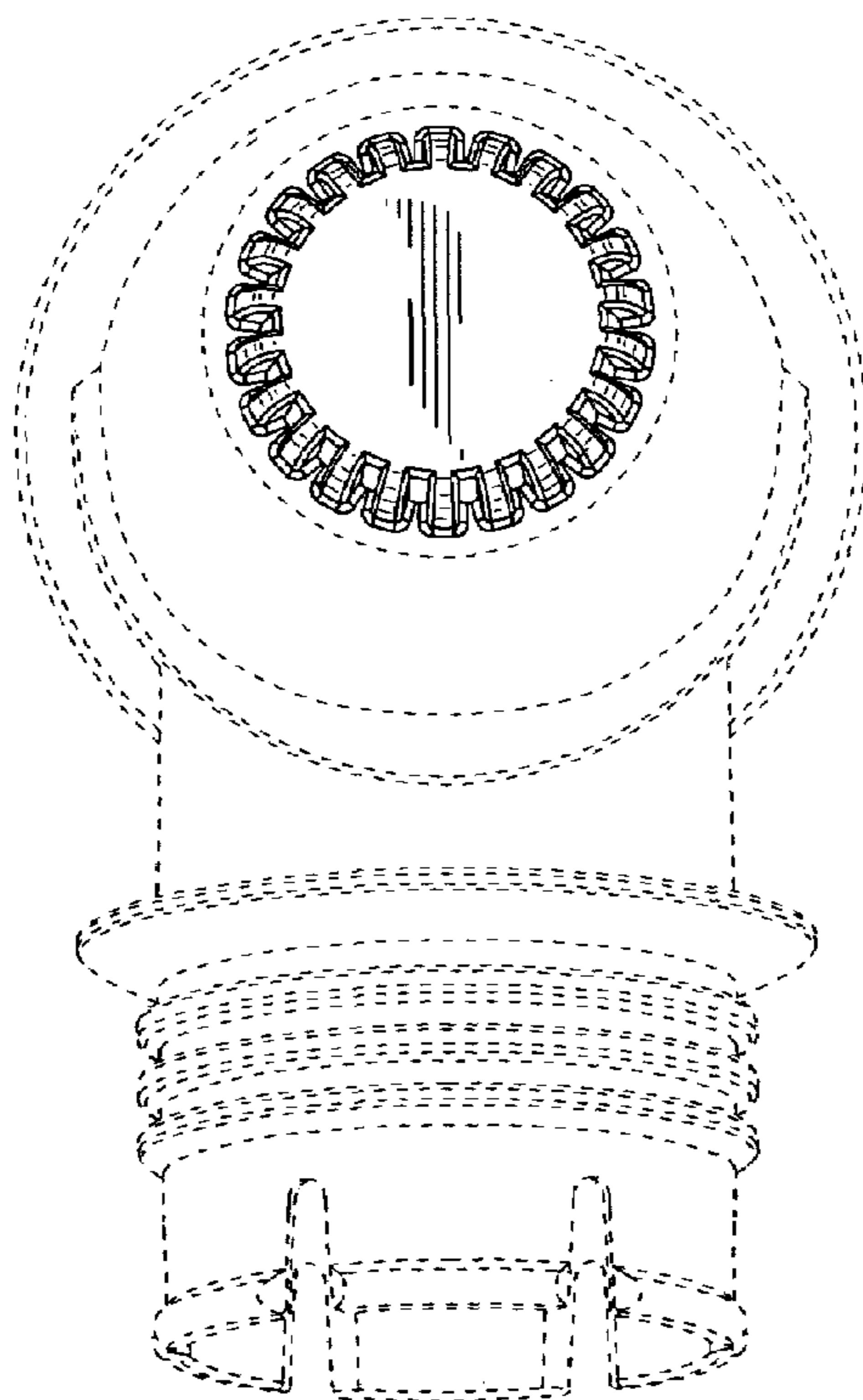
The broken line showing is for illustrative purposes only and forms no part of the claimed design.

**1 Claim, 2 Drawing Sheets**

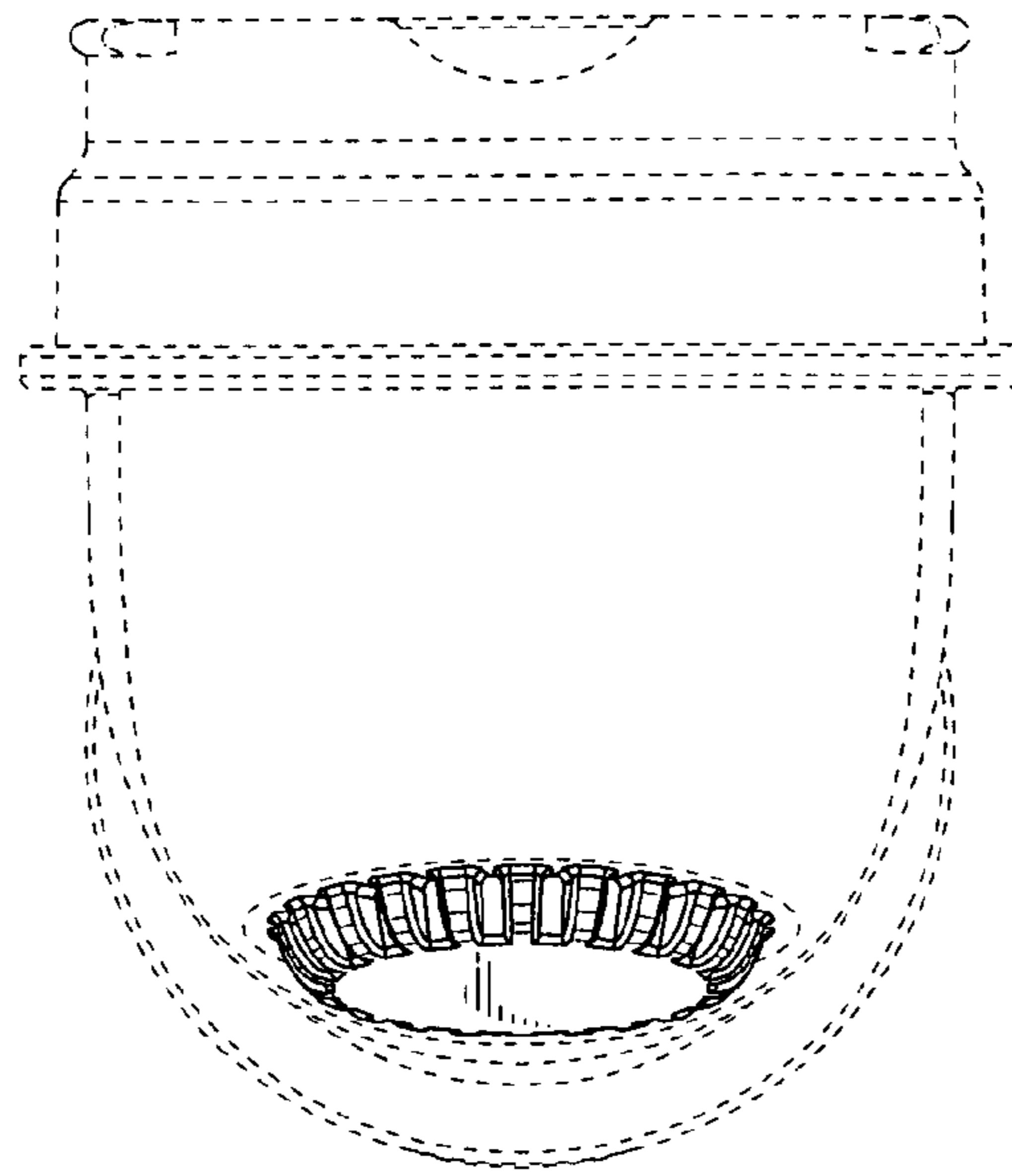




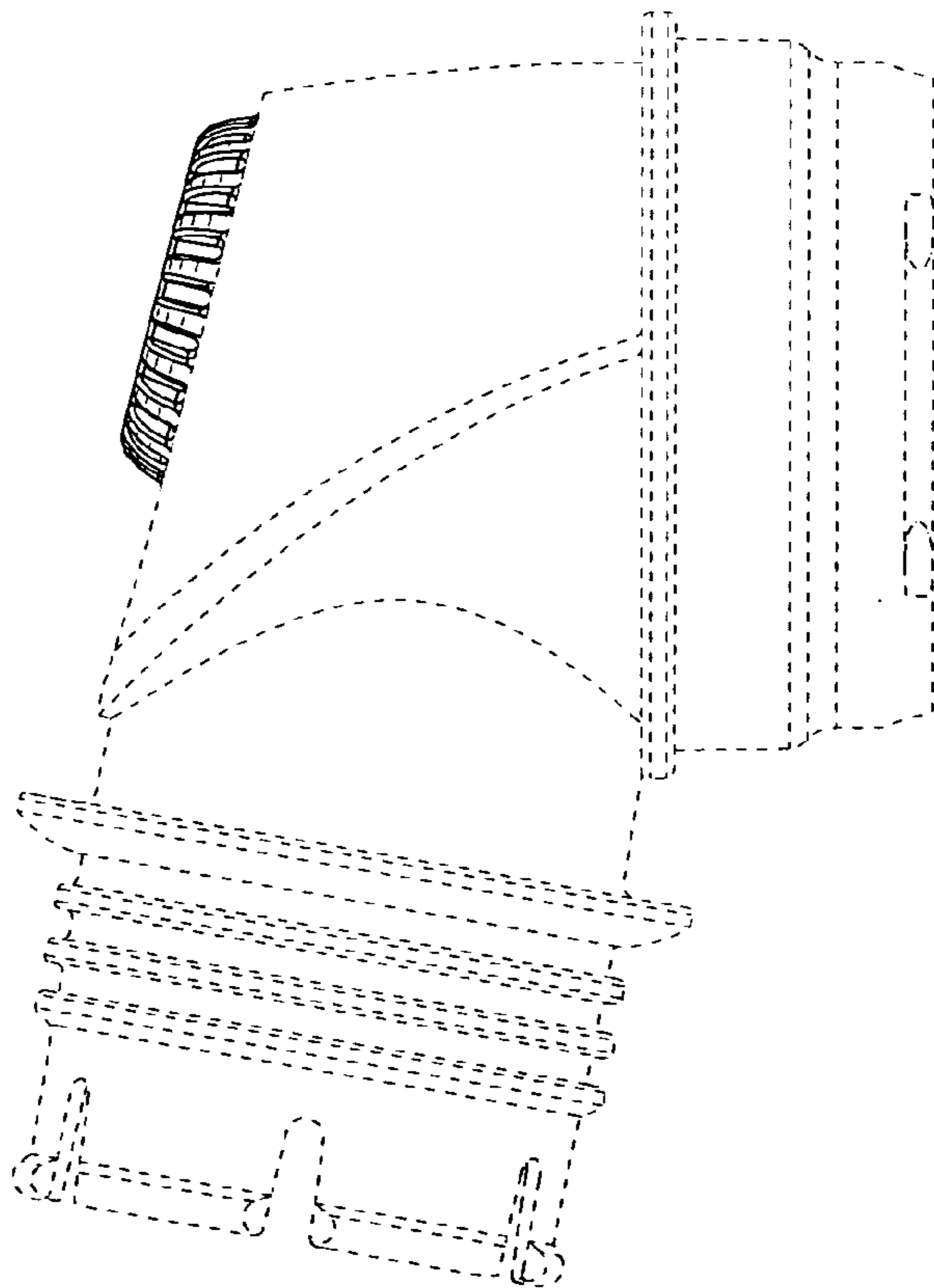
**FIG. 1**



**FIG. 2**



**FIG. 3**



**FIG. 4**