



US00D594104S

(12) **United States Design Patent**  
**Sturm et al.**

(10) **Patent No.:** **US D594,104 S**  
(45) **Date of Patent:** **\*\* Jun. 9, 2009**

(54) **FAN**

D445,887 S \* 7/2001 Campbell ..... D23/377  
D525,699 S \* 7/2006 Davenport et al. .... D23/377

(75) Inventors: **Gerhard Sturm**, Mulfingen (DE);  
**Gunter Streng**, Schrozberg (DE); **Dieter Best**, Ingelfingen (DE); **Thomas Sauer**, Idstein (DE); **Martin Bürket**, Dörzbach-Hohebach (DE)

\* cited by examiner

*Primary Examiner*—Lisa P Lichtenstein

(74) *Attorney, Agent, or Firm*—Brinks Hofer Gilson & Lione

(73) Assignee: **EBM-Papst Mulfingen GmbH & Co., KG**, Mulfingen (DE)

(57) **CLAIM**

(\*\*) Term: **14 Years**

The ornamental design for a fan, as shown and described.

(21) Appl. No.: **29/327,262**

**DESCRIPTION**

(22) Filed: **Nov. 3, 2008**

(30) **Foreign Application Priority Data**

May 2, 2008 (EM) ..... 000928247

(51) **LOC (9) Cl.** ..... **23-04**

(52) **U.S. Cl.** ..... **D23/377**

(58) **Field of Classification Search** ..... D23/377,  
D23/379, 385, 411, 413; 416/5  
See application file for complete search history.

FIG. 1 is a front view of the fan;  
FIG. 2 is a rear view thereof;  
FIG. 3 is a front perspective view thereof;  
FIG. 4 is a side view thereof;  
FIG. 5 is another side view thereof;  
FIG. 6 is another side view thereof; and,  
FIG. 7 is another side view thereof.

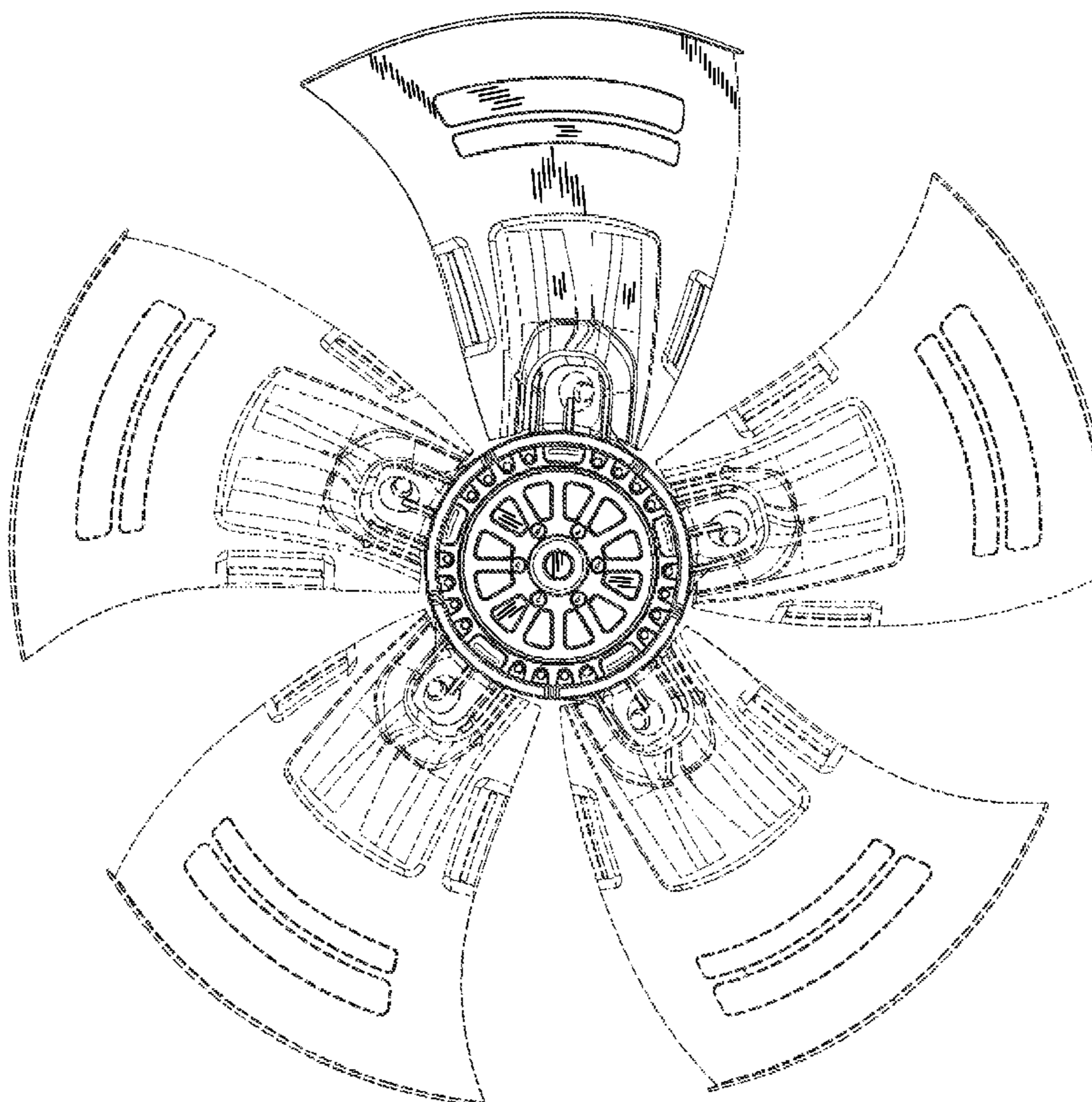
The broken line showing of portions of a fan is included for the purpose of illustrating environmental structure and forms no part of the claimed design.

(56) **References Cited**

**U.S. PATENT DOCUMENTS**

D346,439 S \* 4/1994 Liu ..... D23/377

**1 Claim, 7 Drawing Sheets**



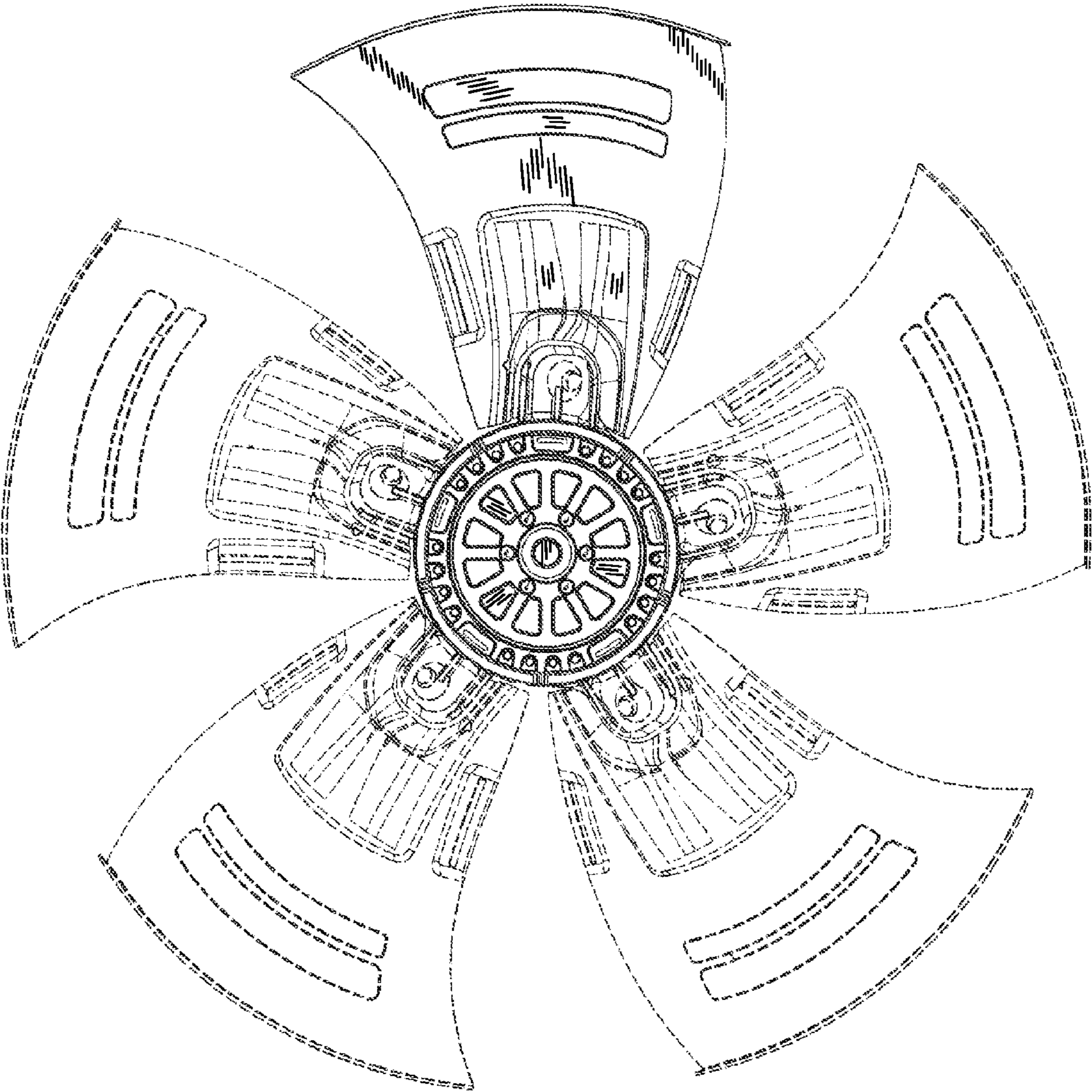


FIG. 1

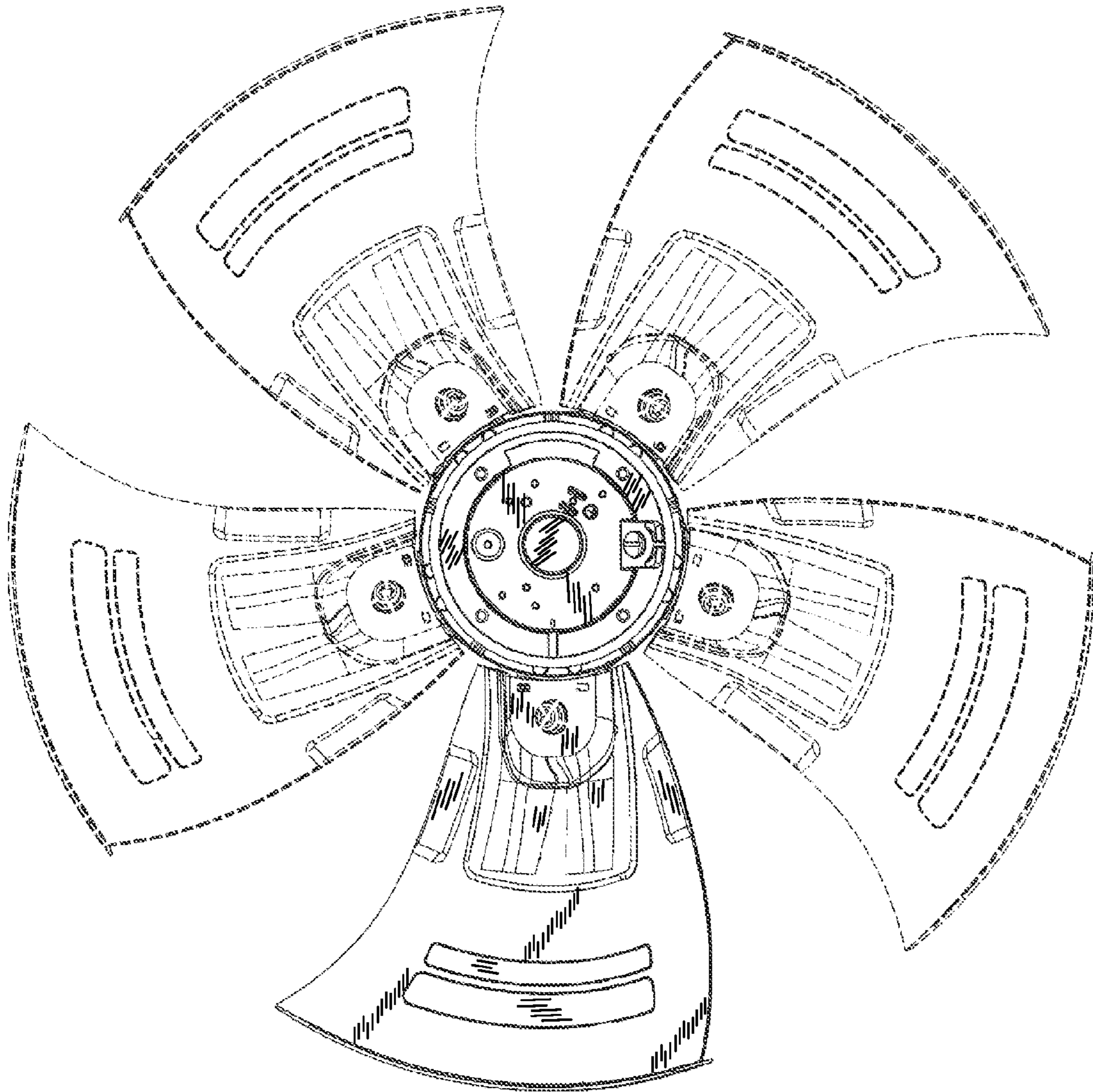


FIG. 2

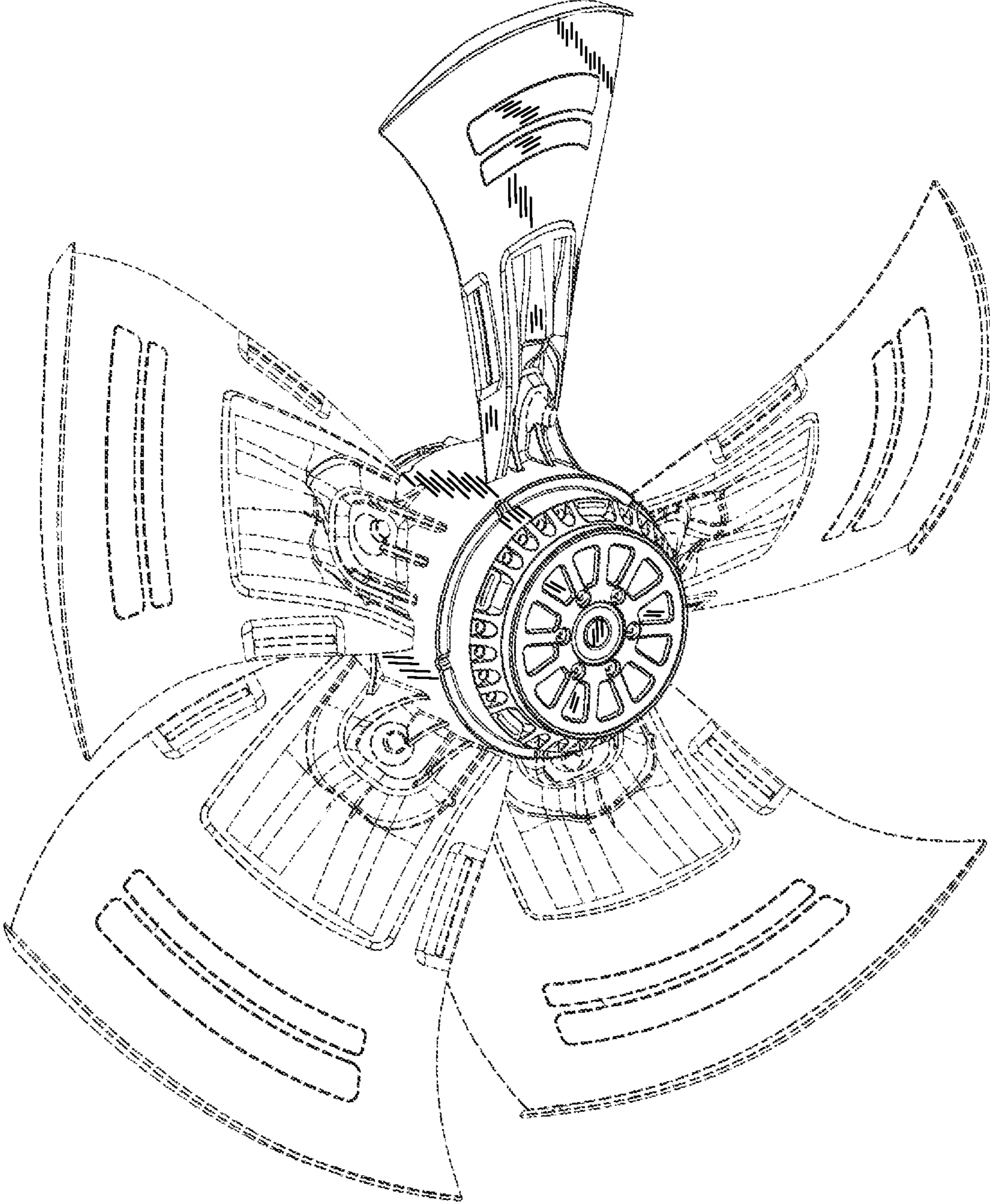


FIG. 3

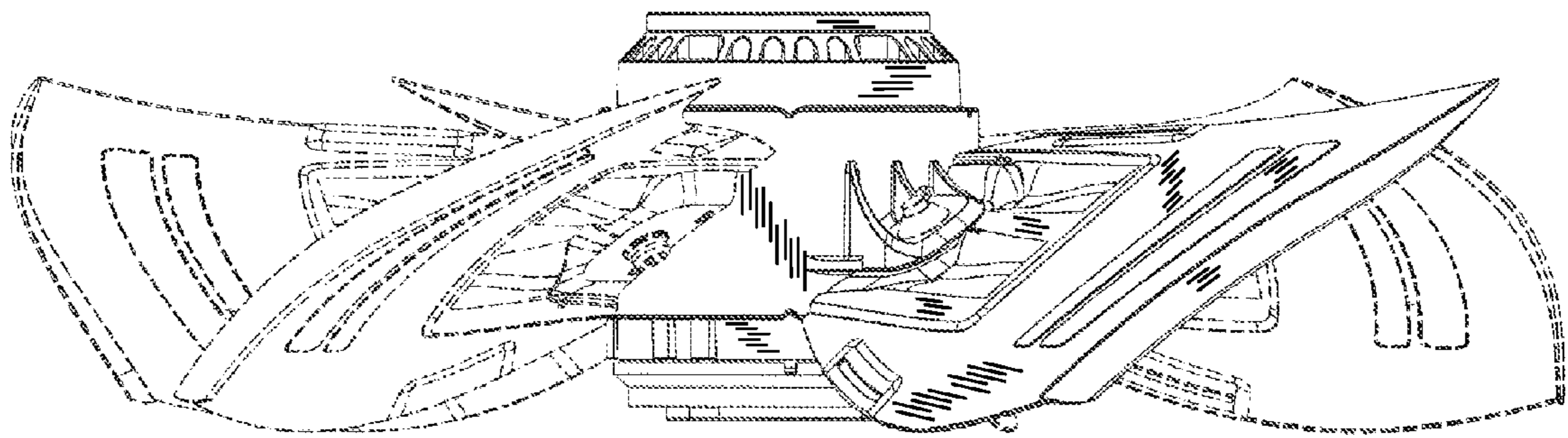


FIG. 4

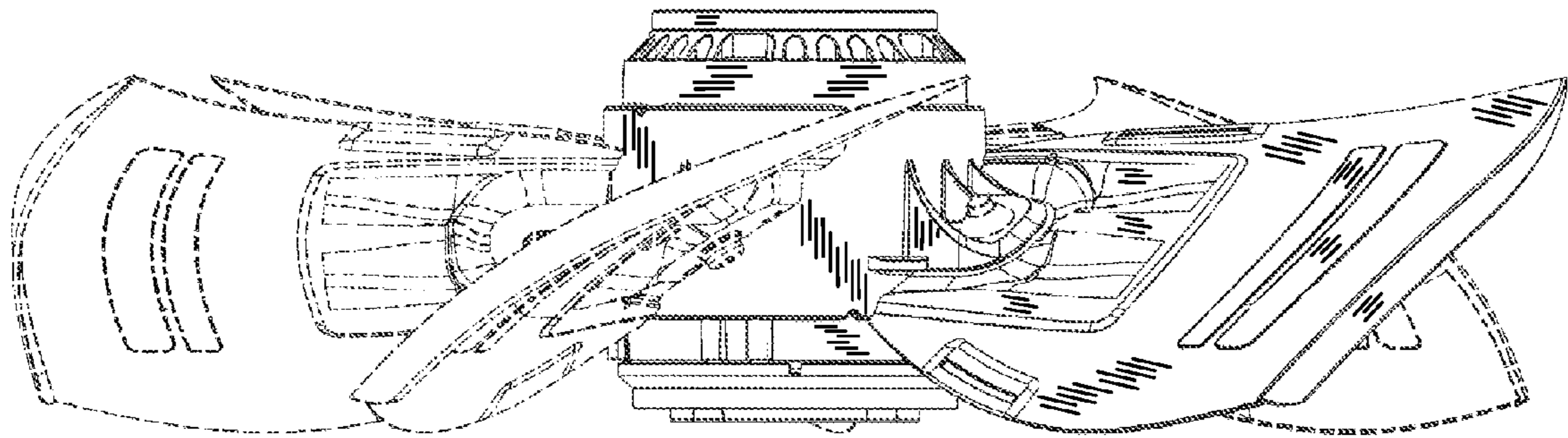


FIG. 5

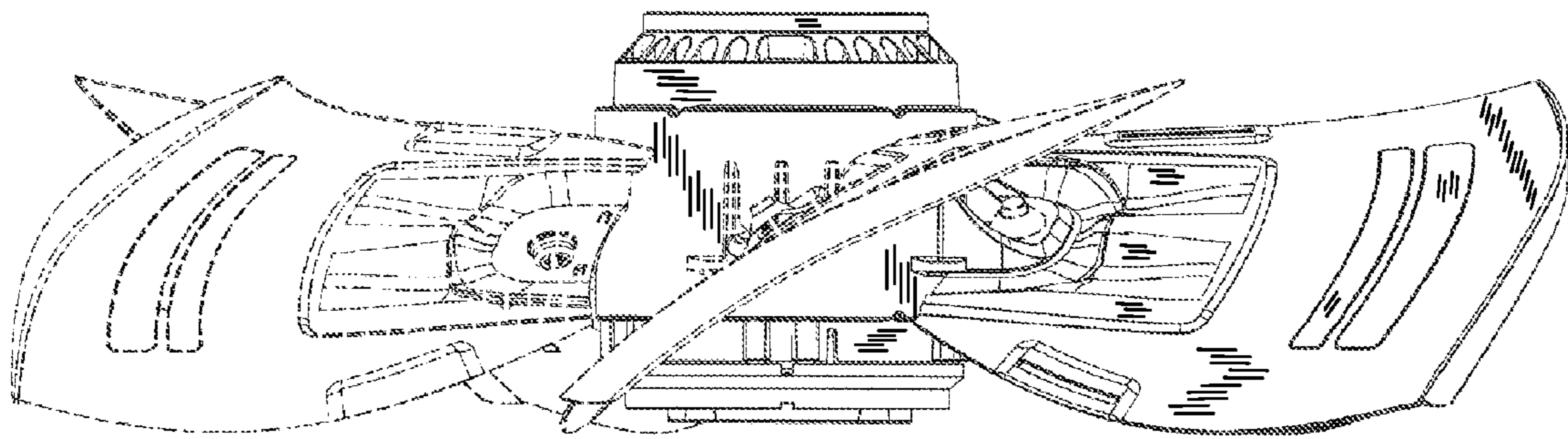


FIG. 6

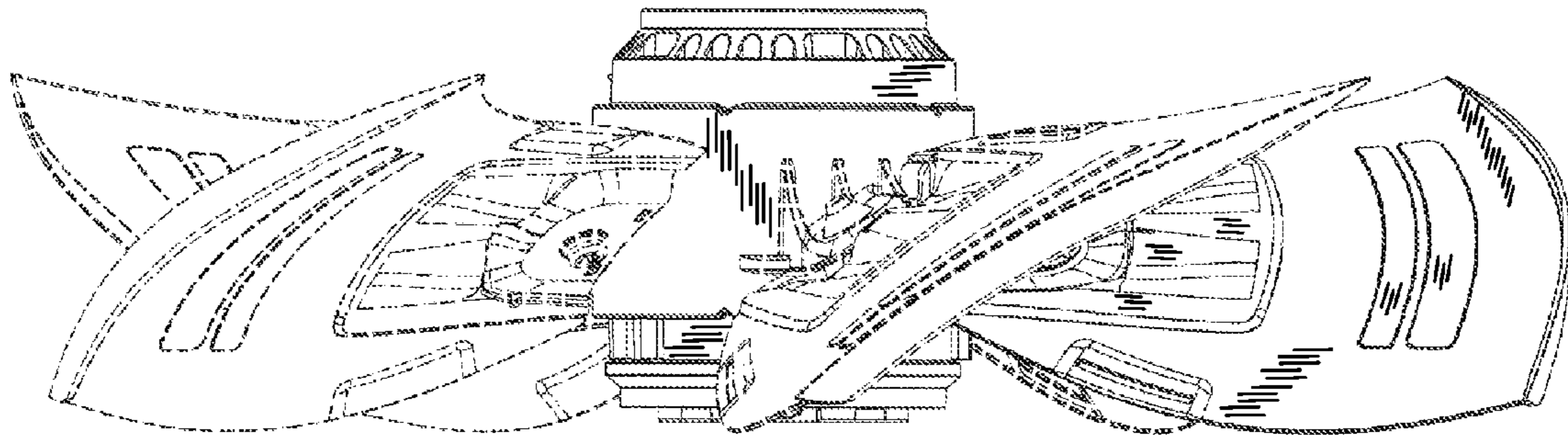


FIG. 7