



US00D594101S

(12) **United States Design Patent**
Kaule

(10) **Patent No.:** **US D594,101 S**
(45) **Date of Patent:** **** Jun. 9, 2009**

(54) **FITTING FOR PLUMBING FIXTURE**

(75) Inventor: **Brian M. Kaule**, Sheboygan Falls, WI (US)

(73) Assignee: **Kohler Co.**, Kohler, WI (US)

(**) Term: **14 Years**

(21) Appl. No.: **29/279,289**

(22) Filed: **Apr. 25, 2007**

(51) **LOC (9) Cl.** **23-02**

(52) **U.S. Cl.** **D23/311**

(58) **Field of Classification Search** D23/273-274,
D23/295-301, 303, 309, 311-312; 4/663-664,
4/300, 444, 485-486, 234, 242.1, 237-239,
4/661, DIG. 6, DIG. 8

See application file for complete search history.

(56) **References Cited**

U.S. PATENT DOCUMENTS

| | | | |
|--------------|---------|----------------------|---------|
| D198,491 S | 6/1964 | Macowski, Jr. et al. | |
| D237,185 S | 10/1975 | Wheaton | |
| D243,183 S | 1/1977 | Davis, Jr. | |
| D281,193 S * | 10/1985 | Chapman | D23/296 |
| D471,966 S | 3/2003 | Hatakenaka | |
| D485,337 S | 1/2004 | Tani | |
| D507,823 S * | 7/2005 | Gordon | D23/311 |
| D508,986 S | 8/2005 | Peng | |
| 6,968,579 B1 | 11/2005 | Feinberg et al. | |
| D530,804 S | 10/2006 | Forbes | |

OTHER PUBLICATIONS

Comfort Seats. "C8019-0-Plastic Commercial Elongated Front". FixtureUniverse online catalog. Copyright 1999-20095 Allied Trade Group.

Vista. "Indian Lavatory", catalog page.

* cited by examiner

Primary Examiner—Robert A Delehanty

(74) *Attorney, Agent, or Firm*—Quarles & Brady LLP

(57) **CLAIM**

The ornamental design for a fitting for plumbing fixture, as shown and described.

DESCRIPTION

In a preferred form, the nature of this product is a fitting for a plumbing fixture, wherein the fitting can be in the form of a combination seat and lid, a lid, a seat and a hinge, all for use with a water closet.

FIG. 1 is a left, top, front perspective view of my new design;

FIG. 2 is a top plan view thereof;

FIG. 3 is a left side elevational view thereof;

FIG. 4 is a right side elevational view thereof;

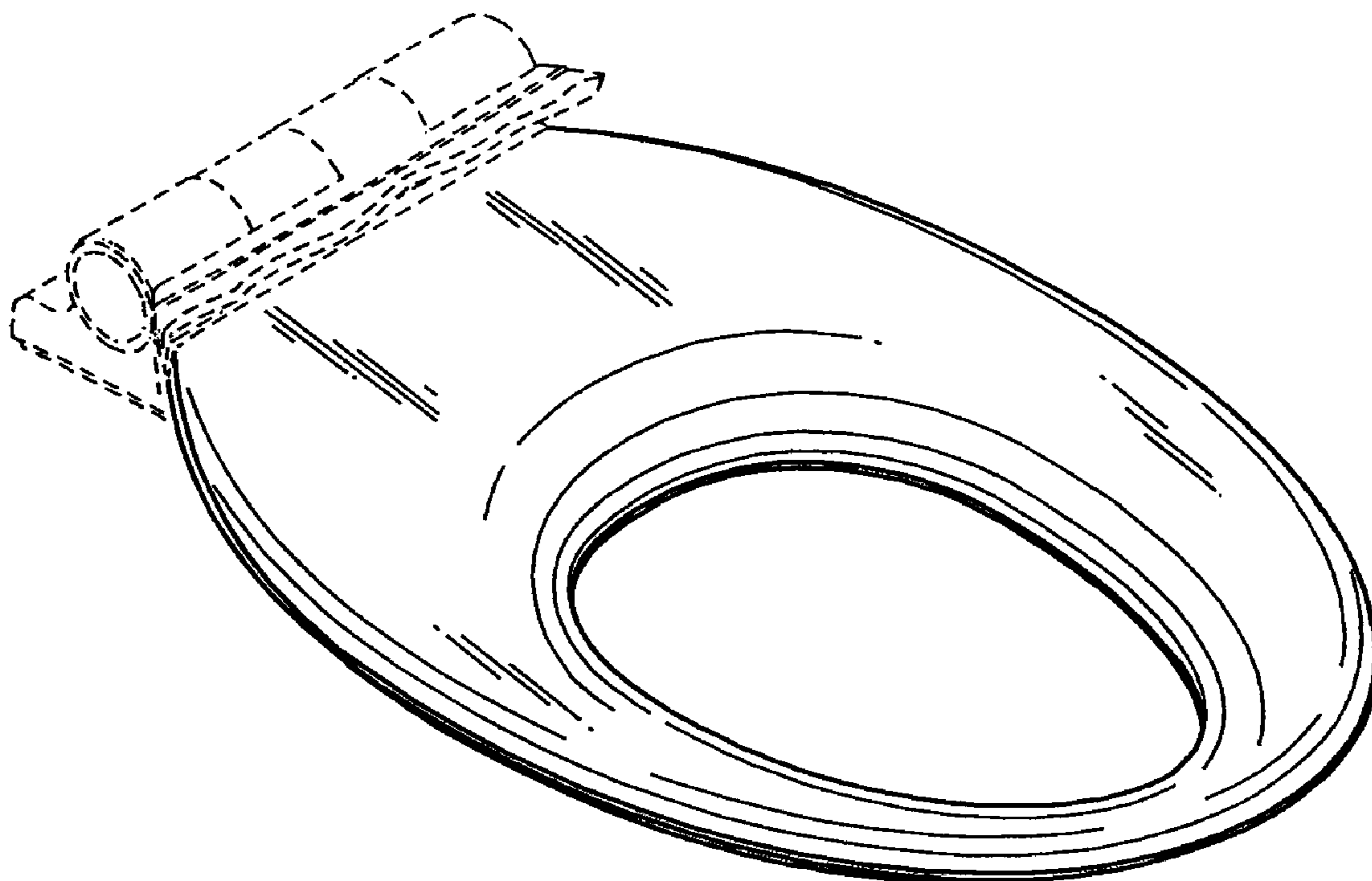
FIG. 5 is a front elevational view thereof;

FIG. 6 is a rear elevational view thereof; and,

FIG. 7 is bottom plan view thereof.

The broken line representations in the figures are for the purpose of illustration only, and form no part of the claimed design.

1 Claim, 3 Drawing Sheets



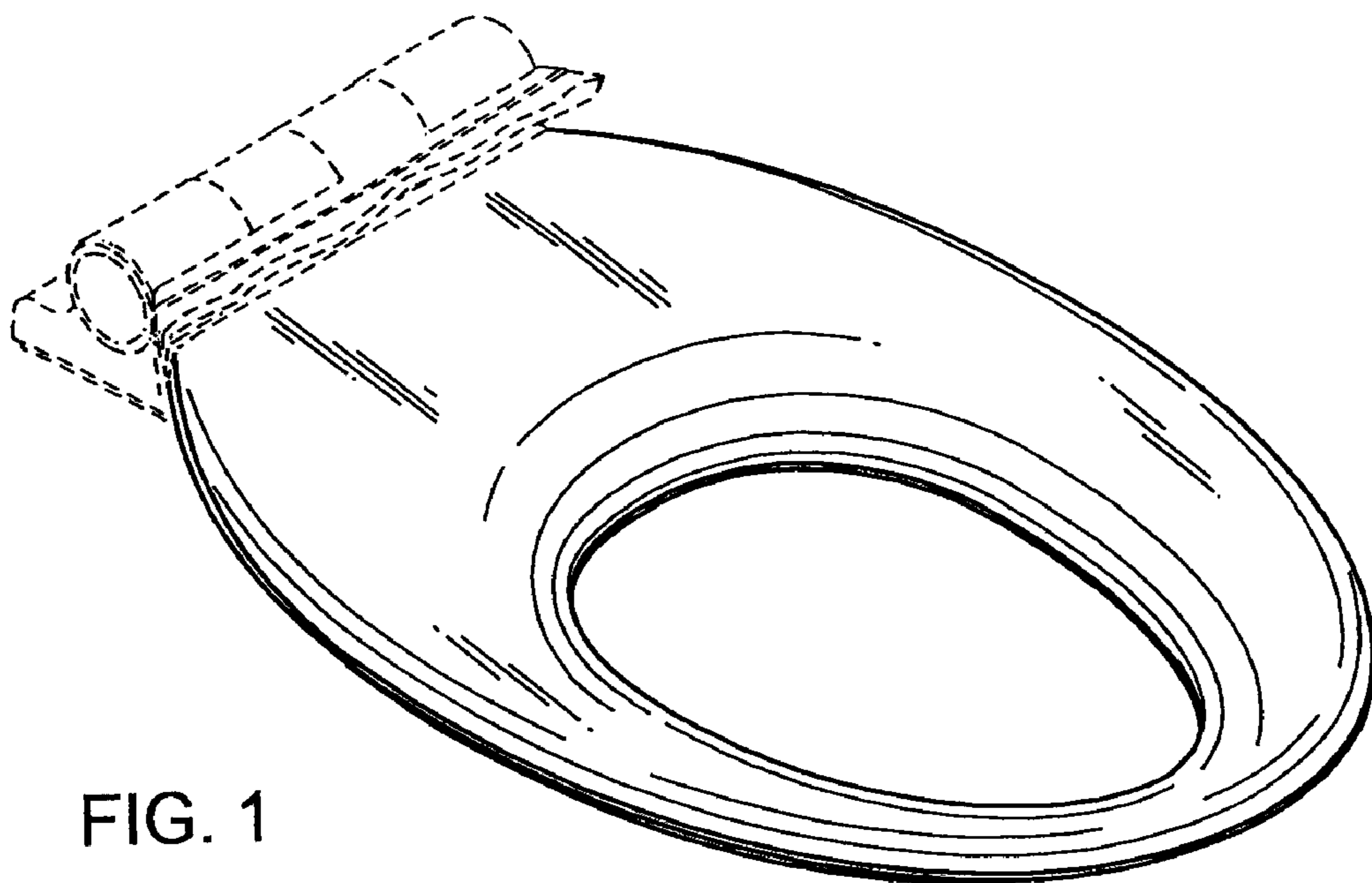


FIG. 1

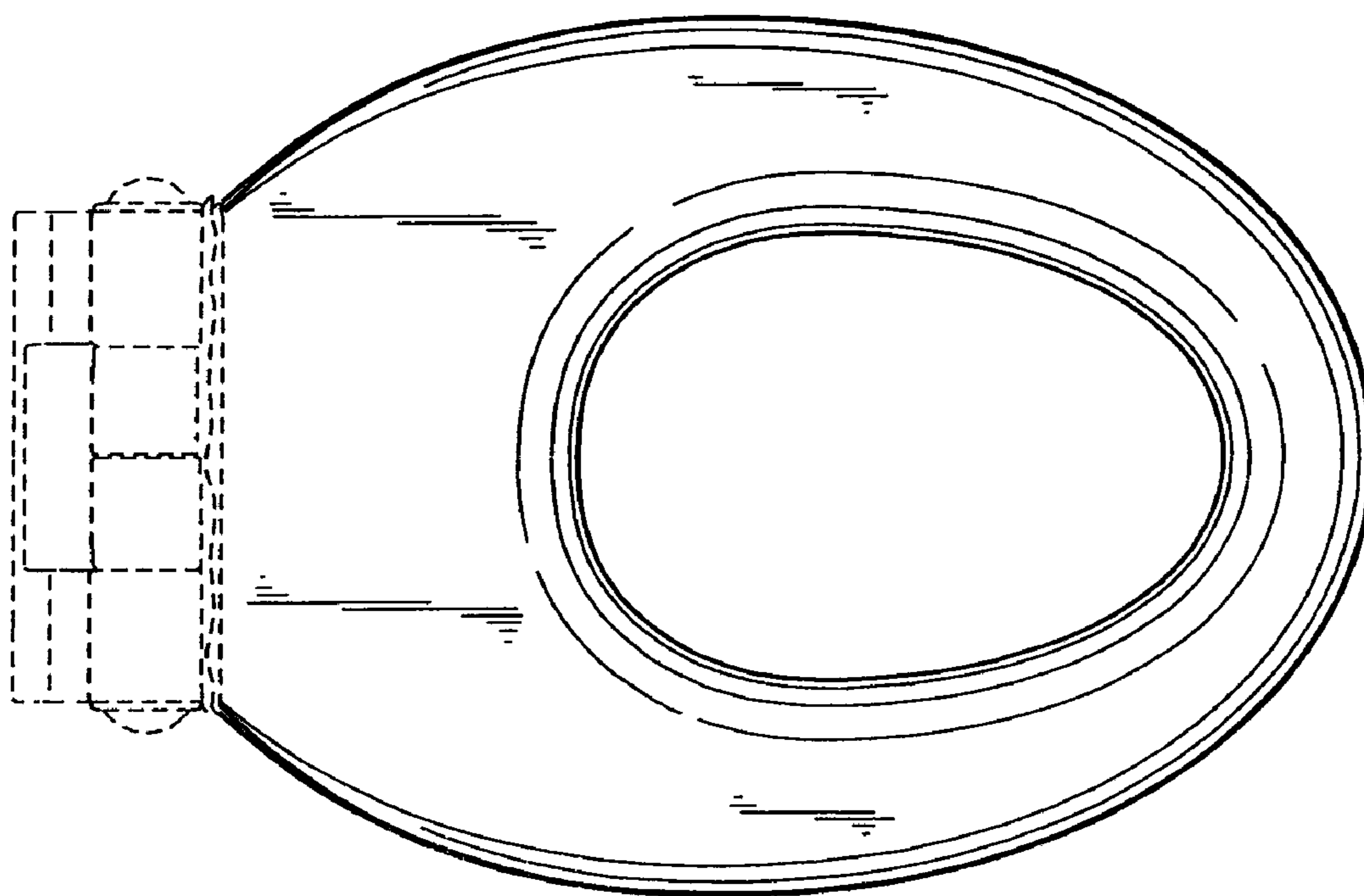


FIG. 2



FIG. 3



FIG. 4

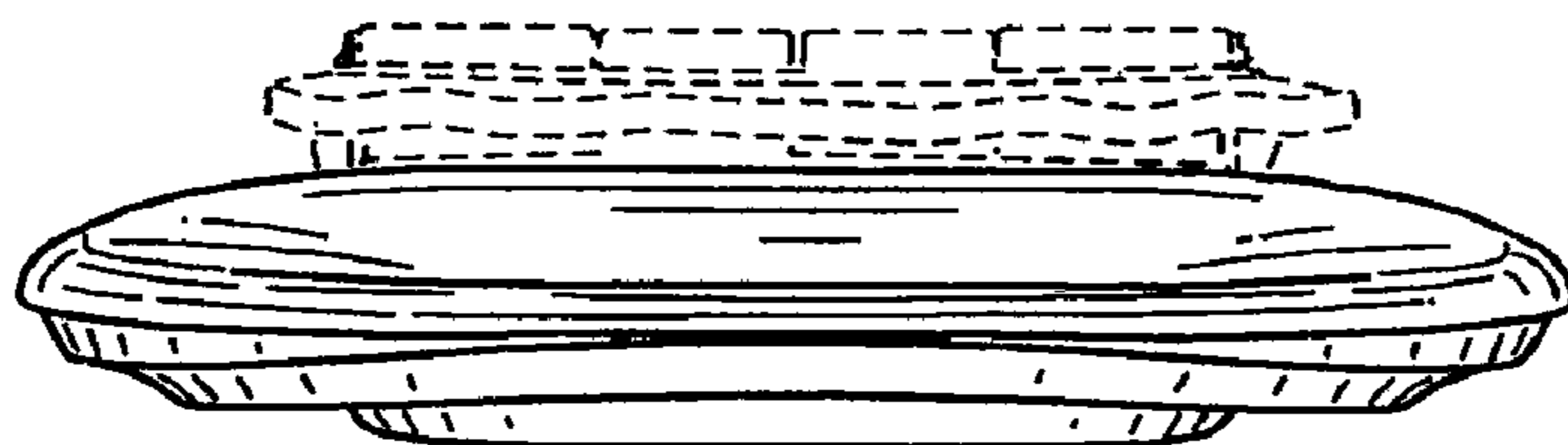


FIG. 5

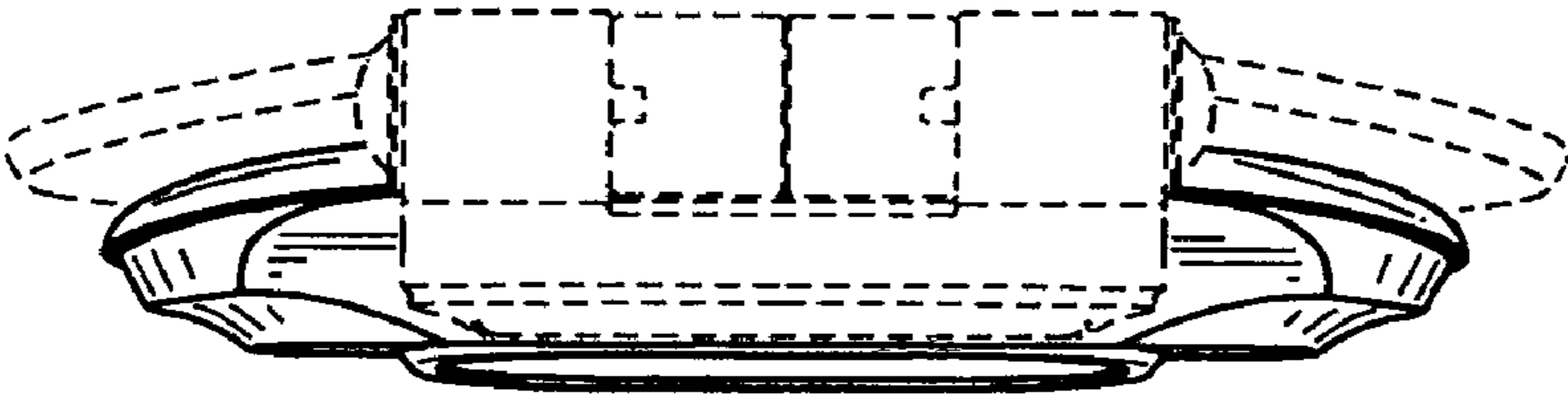


FIG. 6

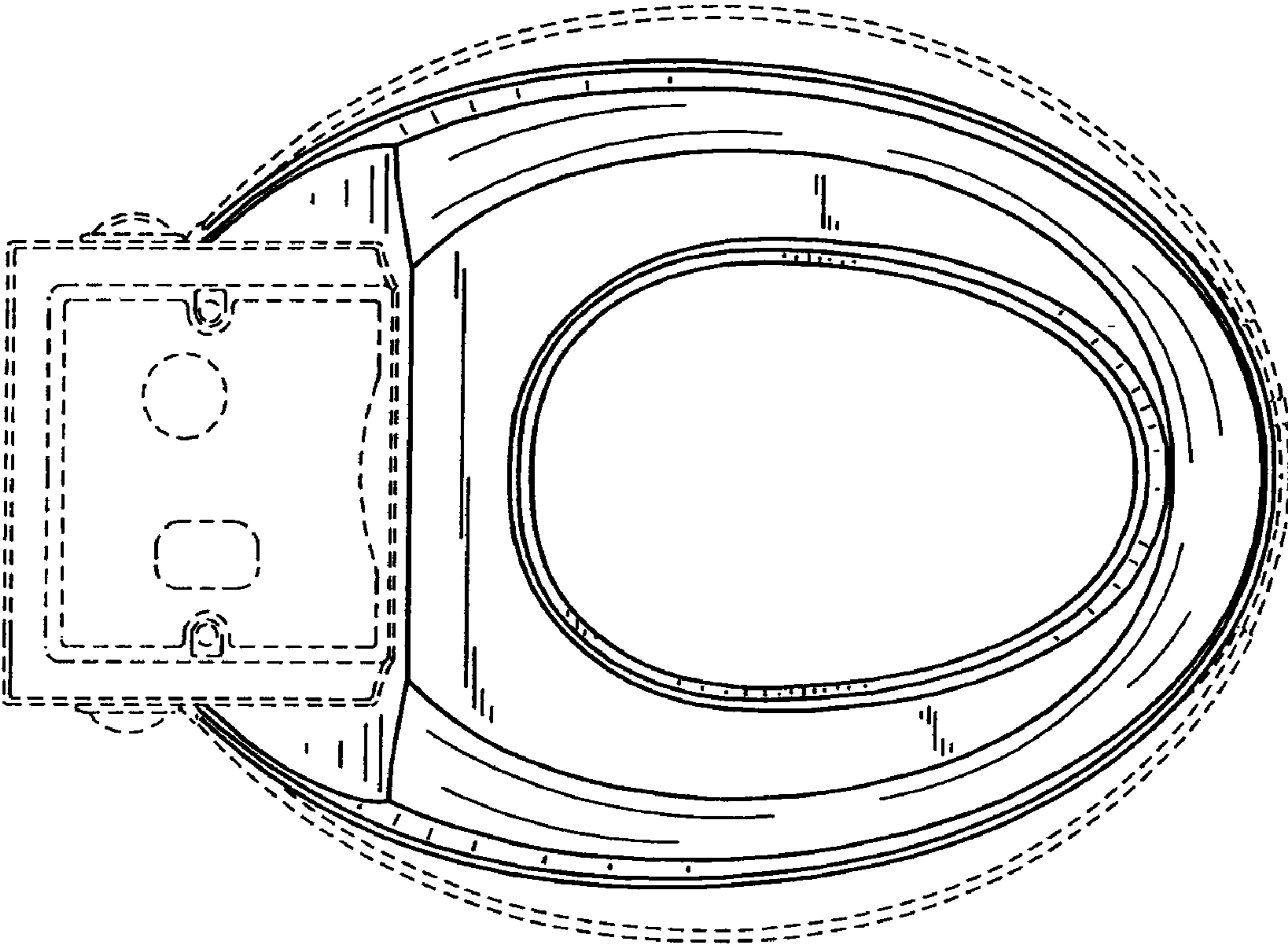


FIG. 7