



US00D594098S

(12) **United States Design Patent**
Paterson

(10) **Patent No.:** **US D594,098 S**
(45) **Date of Patent:** **** Jun. 9, 2009**

(54) **WATER CLOSET**

(75) Inventor: **Nicholas W. Paterson**, La Selva Beach,
CA (US)

(73) Assignee: **Kohler Co.**, Kohler, WI (US)

(**) Term: **14 Years**

(21) Appl. No.: **29/306,413**

(22) Filed: **Apr. 9, 2008**

(51) **LOC (9) Cl.** **23-02**

(52) **U.S. Cl.** **D23/301**

(58) **Field of Classification Search** D23/273–274,
D23/299–301, 303, 309, 313; 4/663–664,
4/328, 329, 353, 420, 661, DIG. 15
See application file for complete search history.

(56) **References Cited**

U.S. PATENT DOCUMENTS

D447,225 S * 8/2001 Tani D23/301
D502,765 S * 3/2005 Bucher et al. D23/301
D582,530 S * 12/2008 Cummings et al. D23/301

OTHER PUBLICATIONS

Jacob Delafon. “Frelance—Cuvette vario”. Model No. E1085. Jacob
Delafon online catalog.
Kohler Co. “Escale two-piece elongated toilet with seat”. Model No.
K-19796. Kohler Co. online catalog. Copyright 2007.

Porcher. “L-Expression Elongated Toilet”. Model No. 97420.
FixtureUniverse.com online catalog. Copyright 1999-2005 Allied
Trade Group.

* cited by examiner

Primary Examiner—Robert A Delehanty

(74) *Attorney, Agent, or Firm*—Quales & Brady LLP

(57) **CLAIM**

The ornamental design for a water closet, as shown and
described.

DESCRIPTION

In a preferred embodiment, the nature of this product is a
plumbing fixture which is primarily useful for receiving the
liquid and solid waste of humans.

FIG. 1 is a right, top, front perspective view of a water closet
embodying my new design;

FIG. 2 is a top plan view thereof;

FIG. 3 is a front elevational view thereof;

FIG. 4 is a right side elevational view thereof;

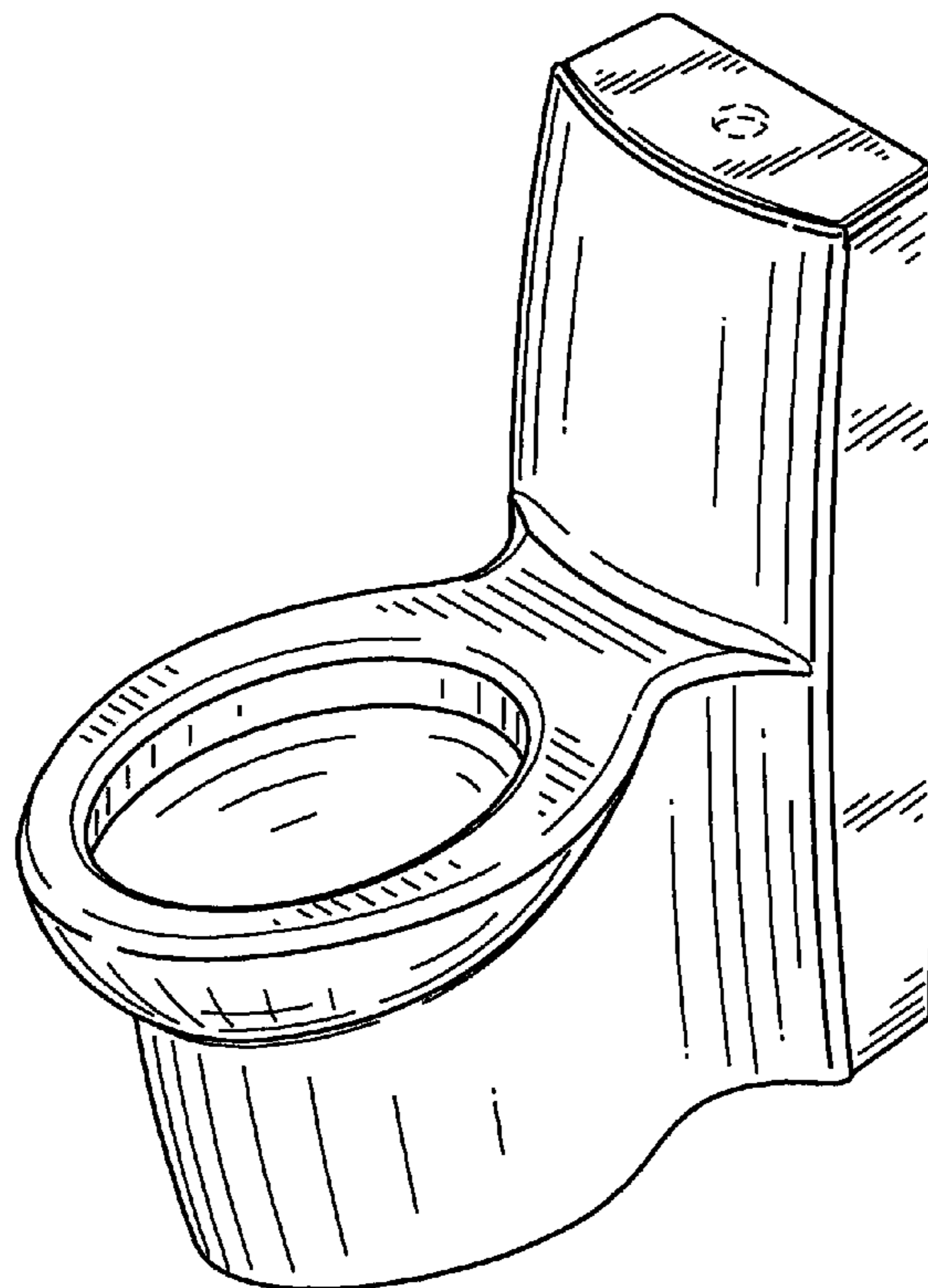
FIG. 5 is a left side elevation view thereof;

FIG. 6 is bottom plan view thereof; and,

FIG. 7 is a rear elevational view thereof.

The broken line representations in the figures are for the
purpose of illustration only, and form no part of the claimed
design.

1 Claim, 4 Drawing Sheets



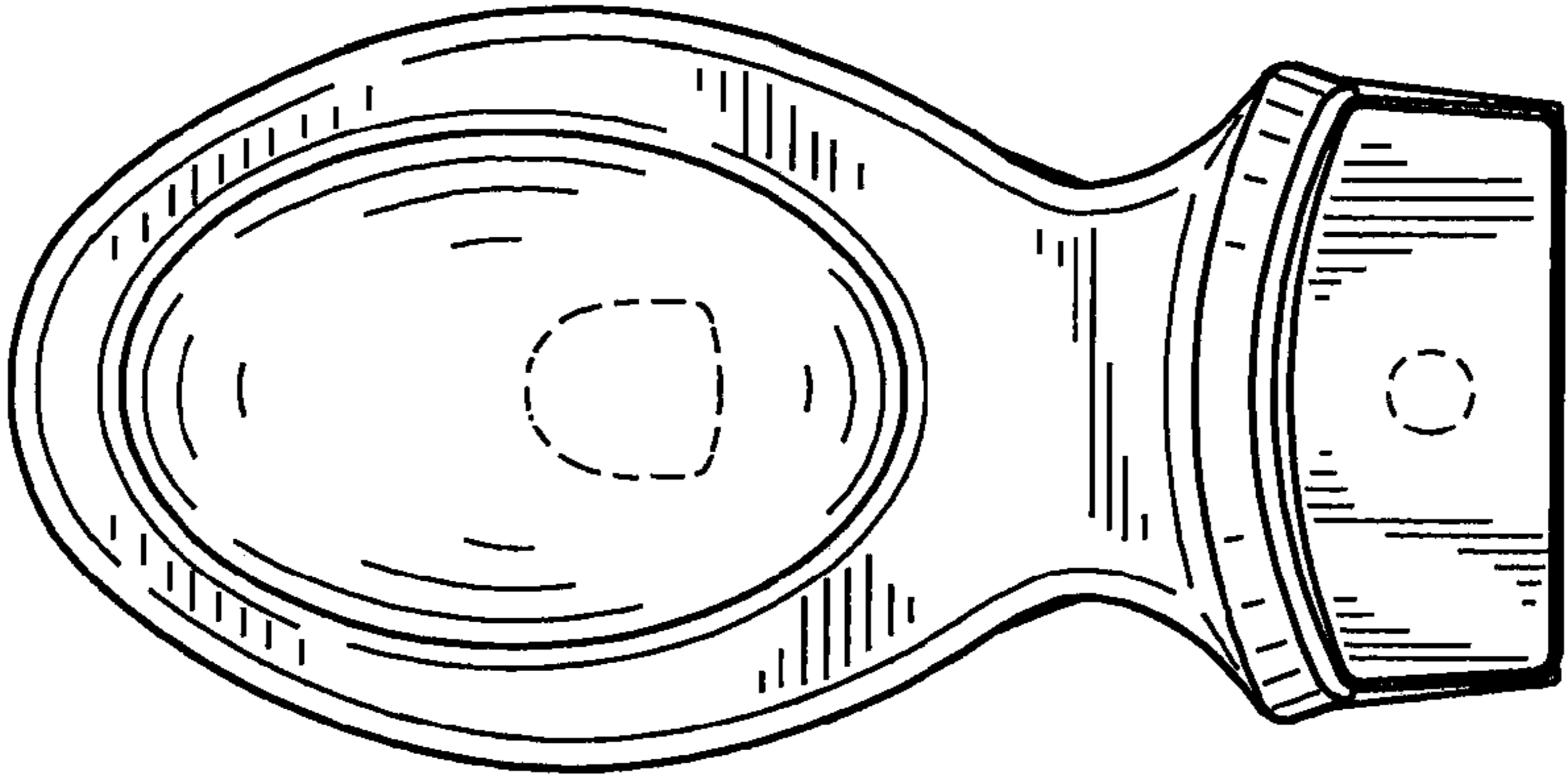
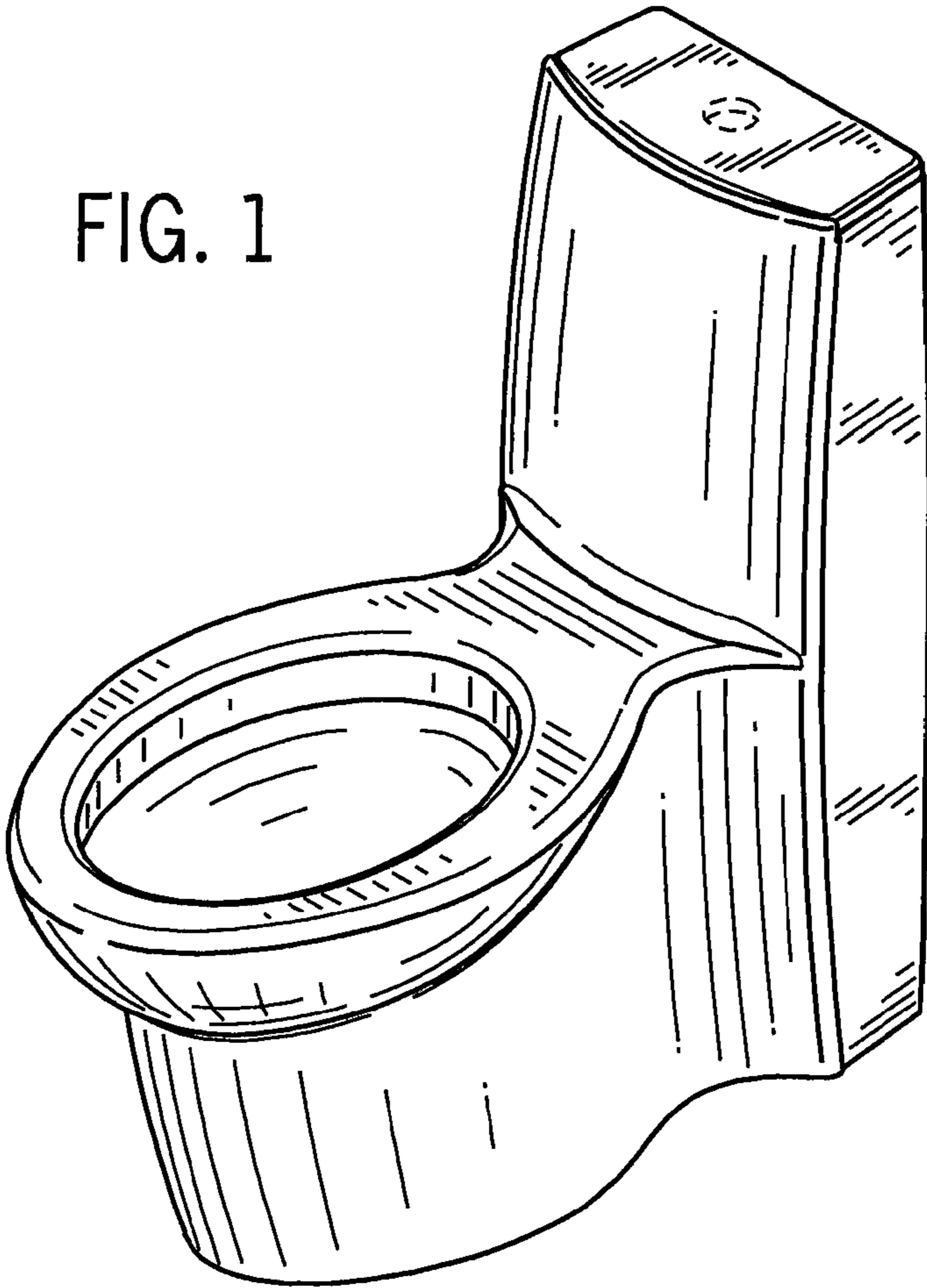


FIG. 2

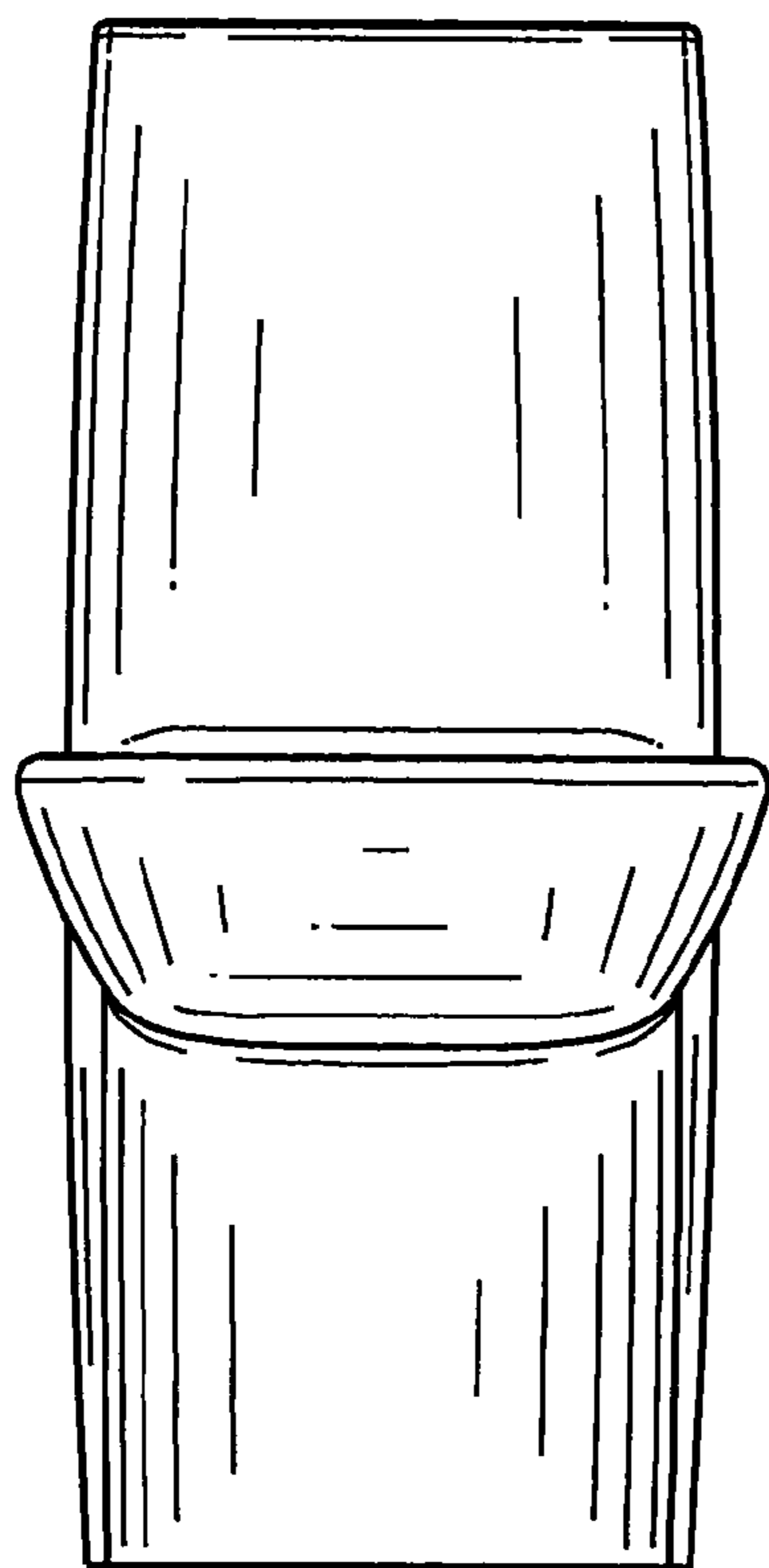


FIG. 3

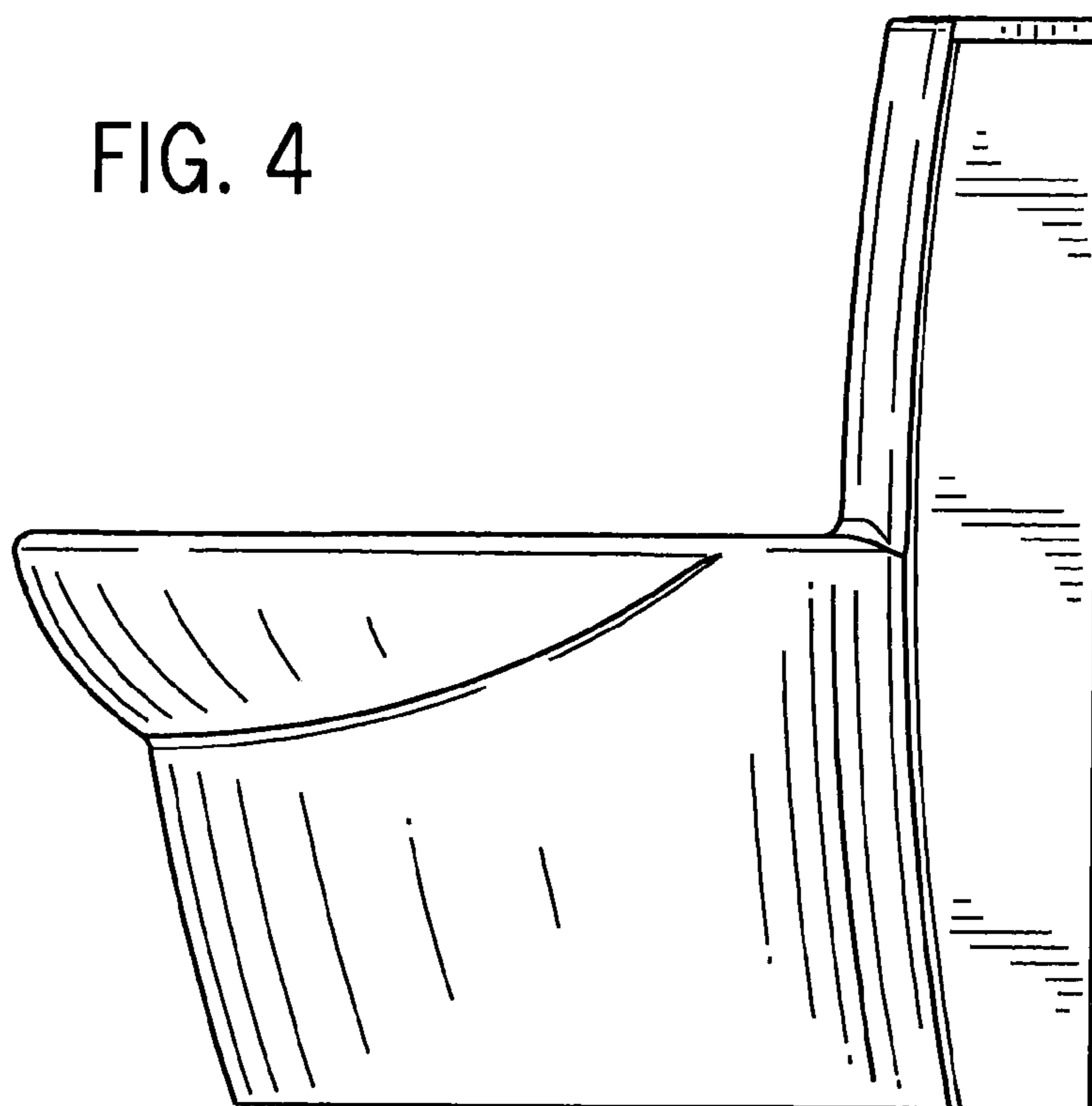


FIG. 4

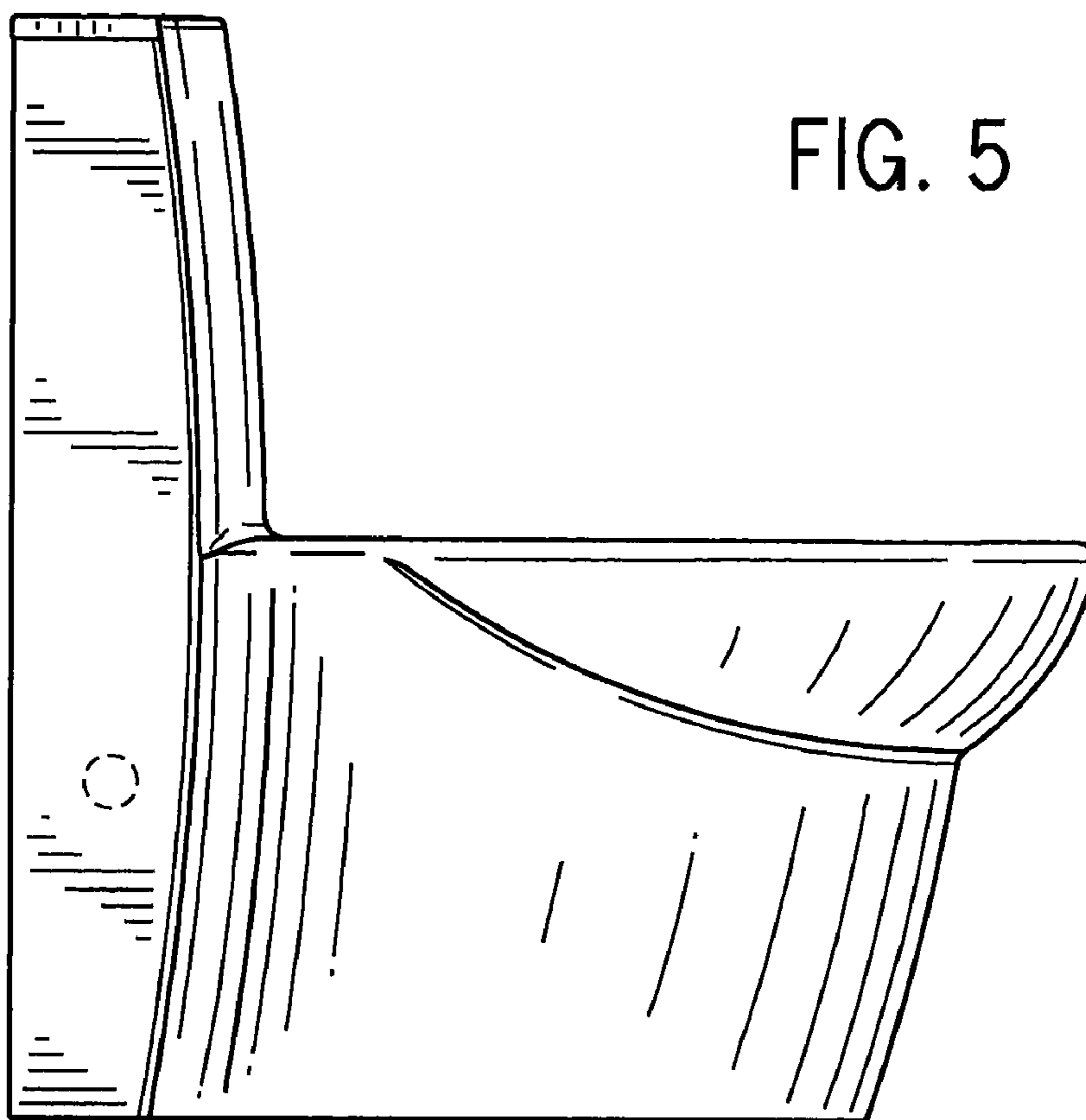
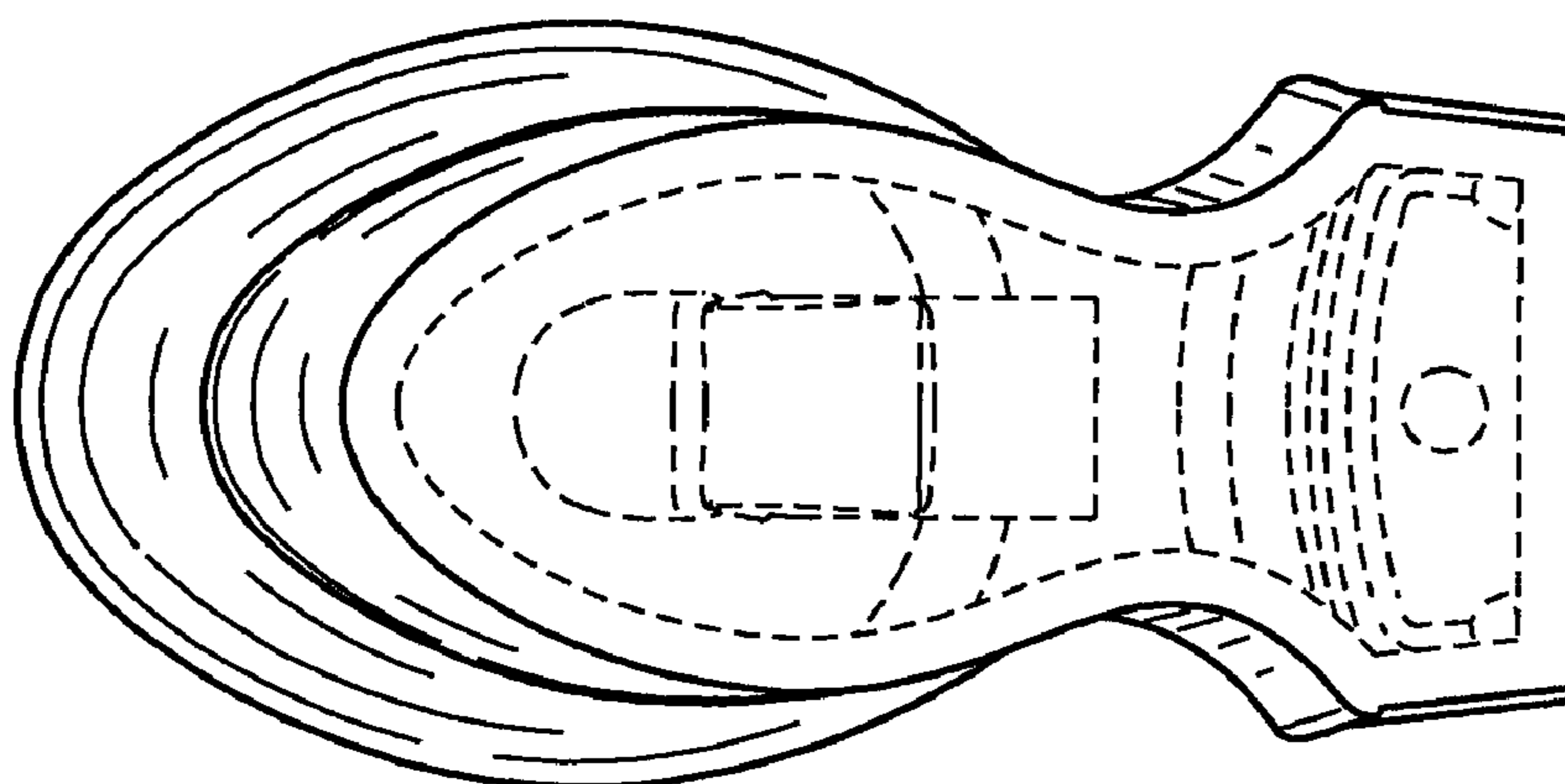


FIG. 6



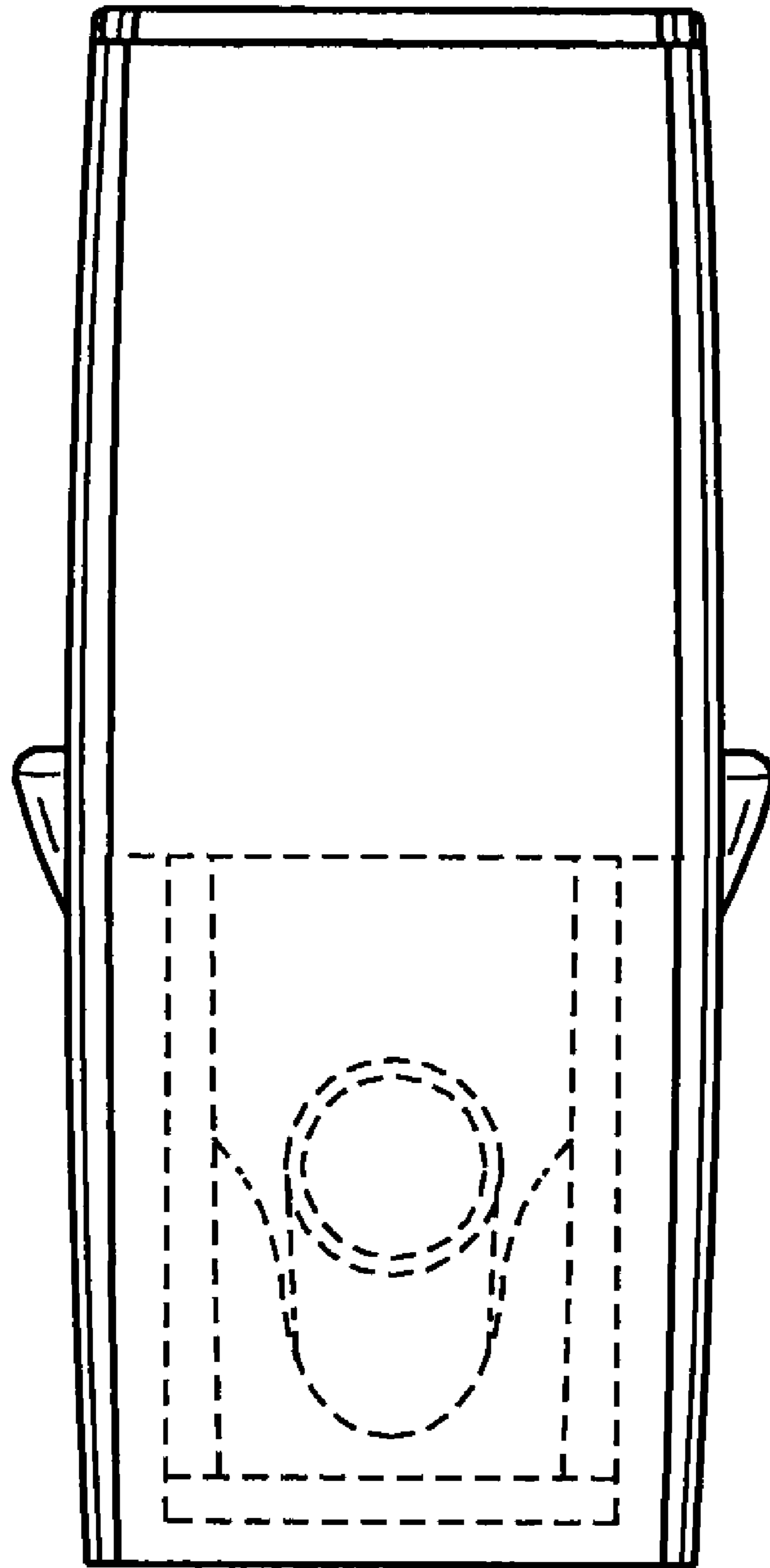


FIG. 7