

US00D594097S

(12) **United States Design Patent**
Toyohara

(10) **Patent No.:** **US D594,097 S**

(45) **Date of Patent:** **** Jun. 9, 2009**

(54) **LAVATORY**

D575,992 S * 9/2008 LeGreve et al. D7/586

(75) Inventor: **Atsushi Toyohara**, Kitakyusyu (JP)

* cited by examiner

(73) Assignee: **Toto Ltd.**, Kitakyusyu-Shi (JP)

Primary Examiner—Robert A Delehanty

(**) Term: **14 Years**

(74) *Attorney, Agent, or Firm*—Birch, Stewart, Kolasch & Birch, LLP

(21) Appl. No.: **29/297,937**

(57) **CLAIM**

(22) Filed: **Nov. 21, 2007**

The ornamental design for a lavatory, as shown and described.

(30) **Foreign Application Priority Data**

DESCRIPTION

Sep. 4, 2007 (JP) 2007-024023

FIG. 1 is a perspective view of the top, front and right side of a lavatory showing my new design;

(51) **LOC (9) Cl.** **23-02**

FIG. 2 is a front view thereof;

(52) **U.S. Cl.** **D23/293.1**

FIG. 3 is a rear view thereof;

(58) **Field of Classification Search** D23/284,

FIG. 4 is a top plan view thereof;

D23/287, 293.1, 308; 4/619, 631, 637

FIG. 5 is a bottom view thereof;

See application file for complete search history.

FIG. 6 is a left side view thereof; and,

(56) **References Cited**

FIG. 7 is a right side view thereof.

U.S. PATENT DOCUMENTS

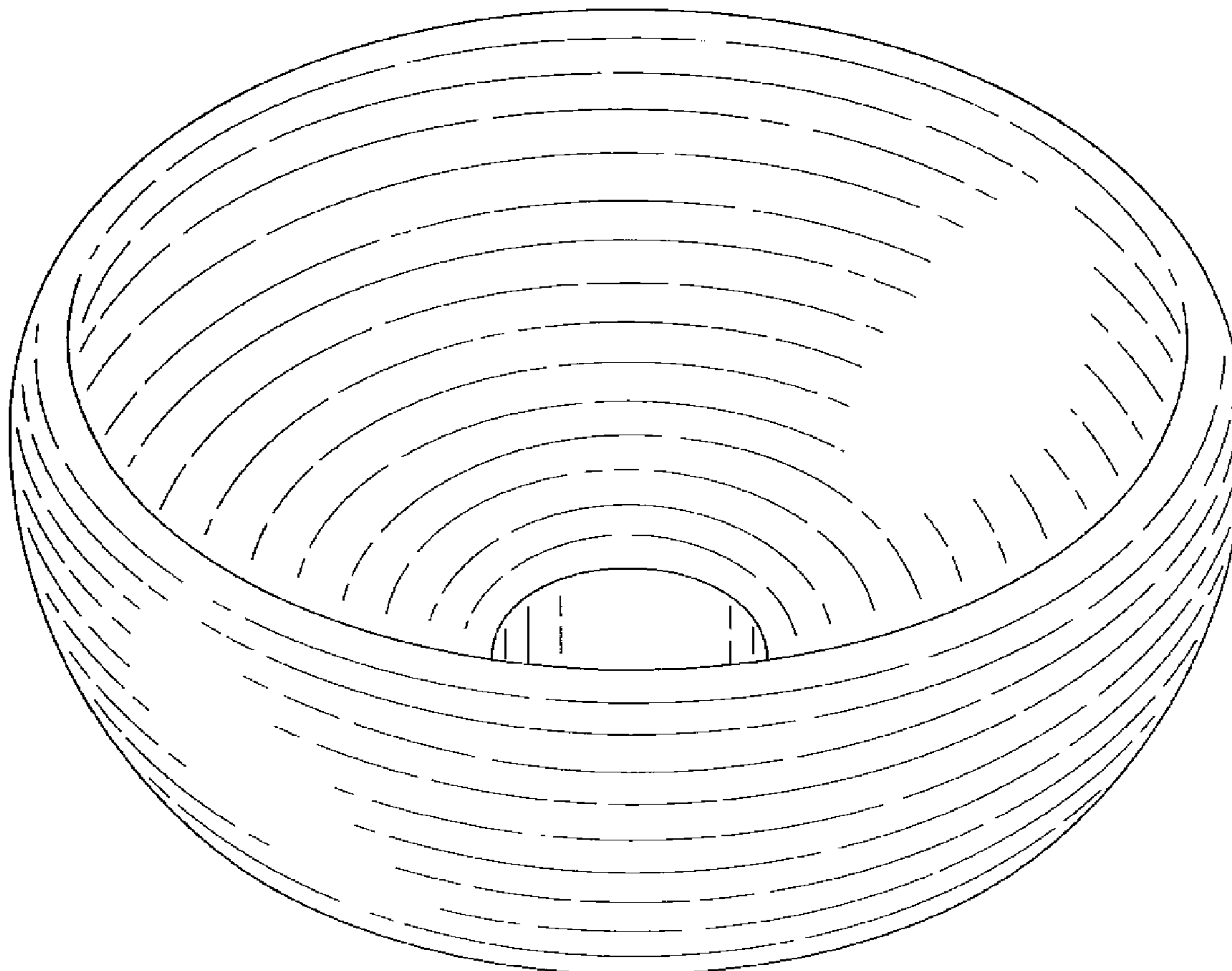
The portion shown by broken lines in FIG. 5 is for the purpose of illustration and forms no part of the claimed design.

D423,653 S * 4/2000 Svendsen D23/293.1

D443,049 S * 5/2001 Kuo D23/293.1

D568,113 S * 5/2008 Wasserman et al. D7/586

1 Claim, 5 Drawing Sheets



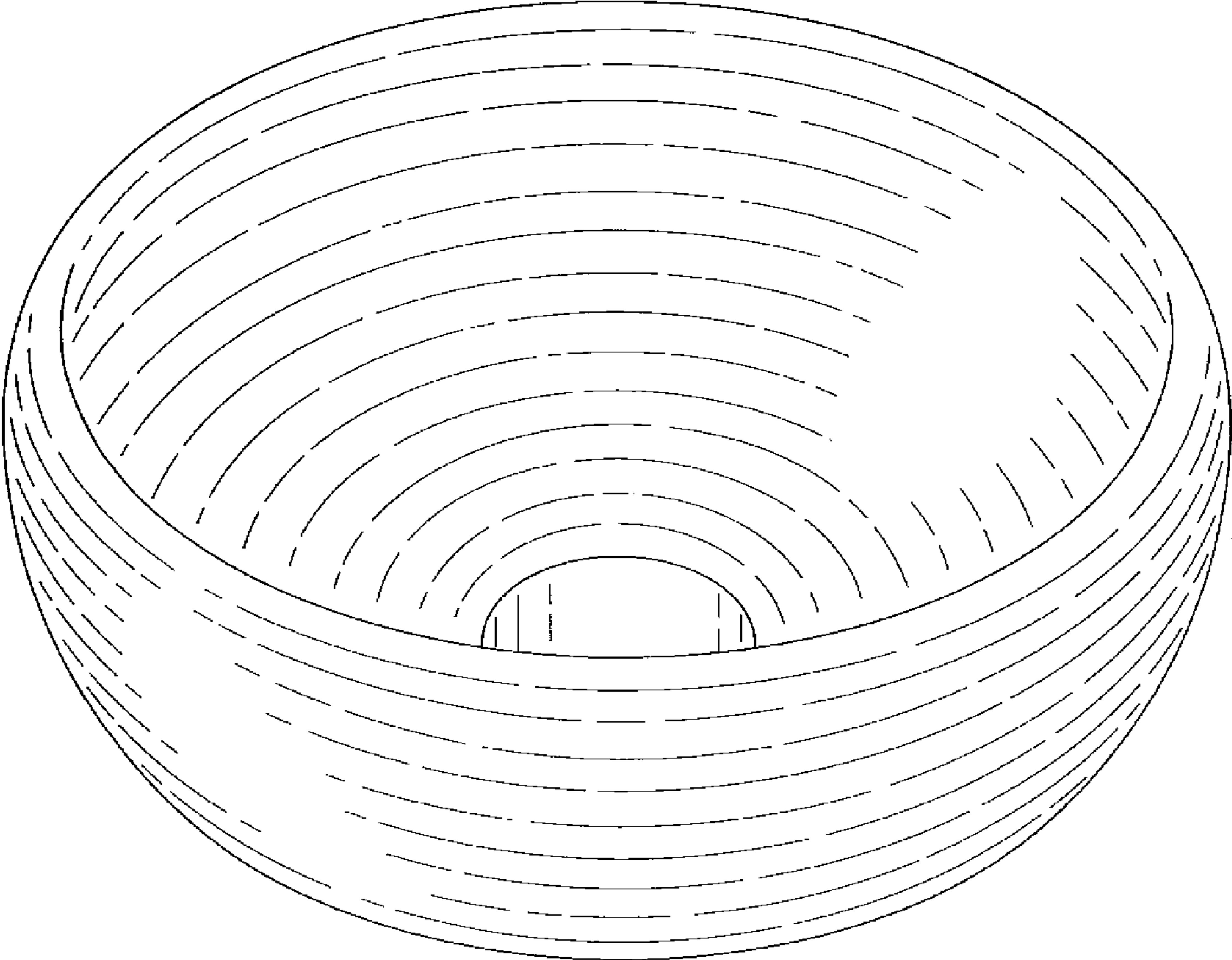


FIG. 1

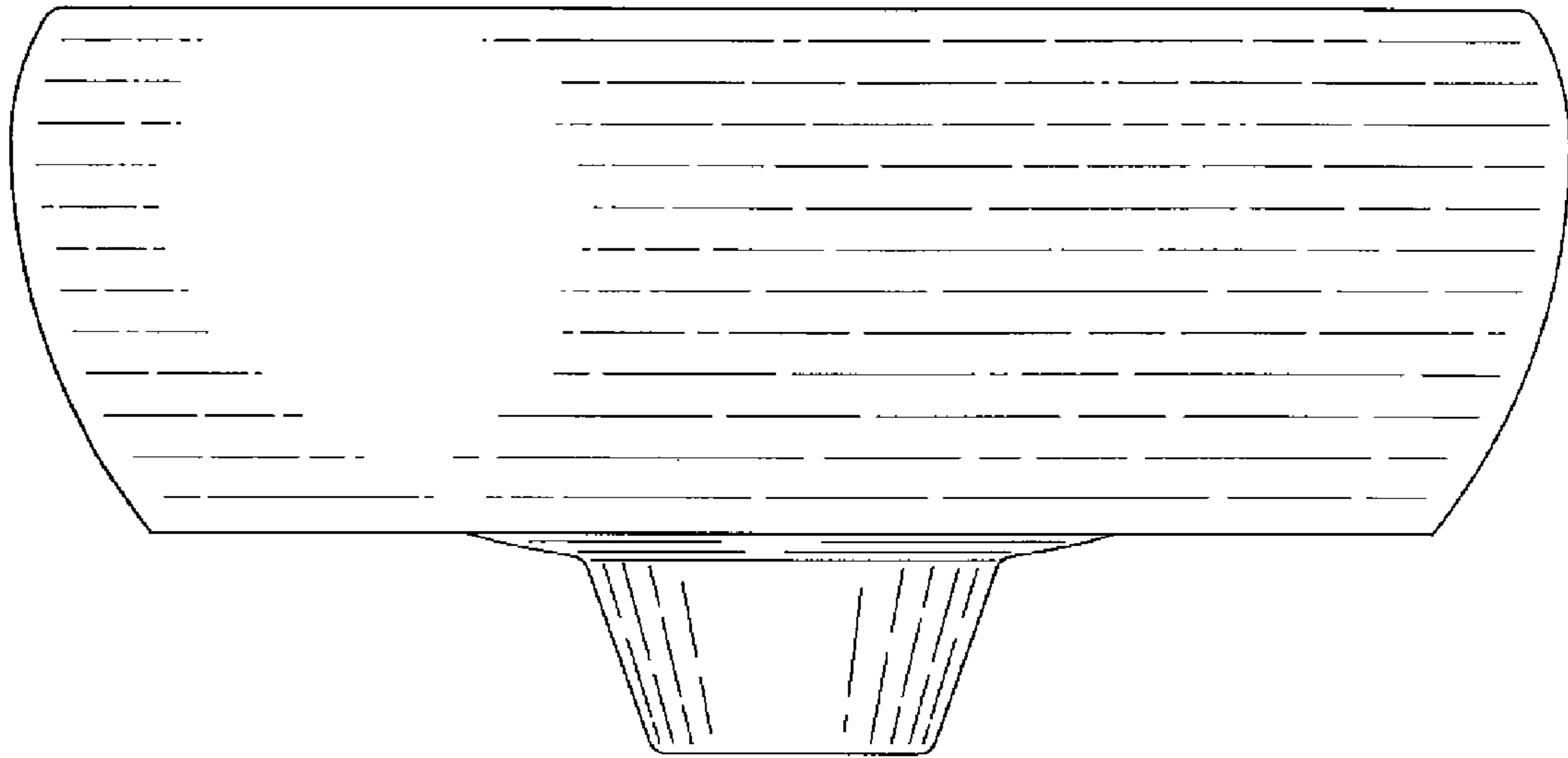


FIG. 2

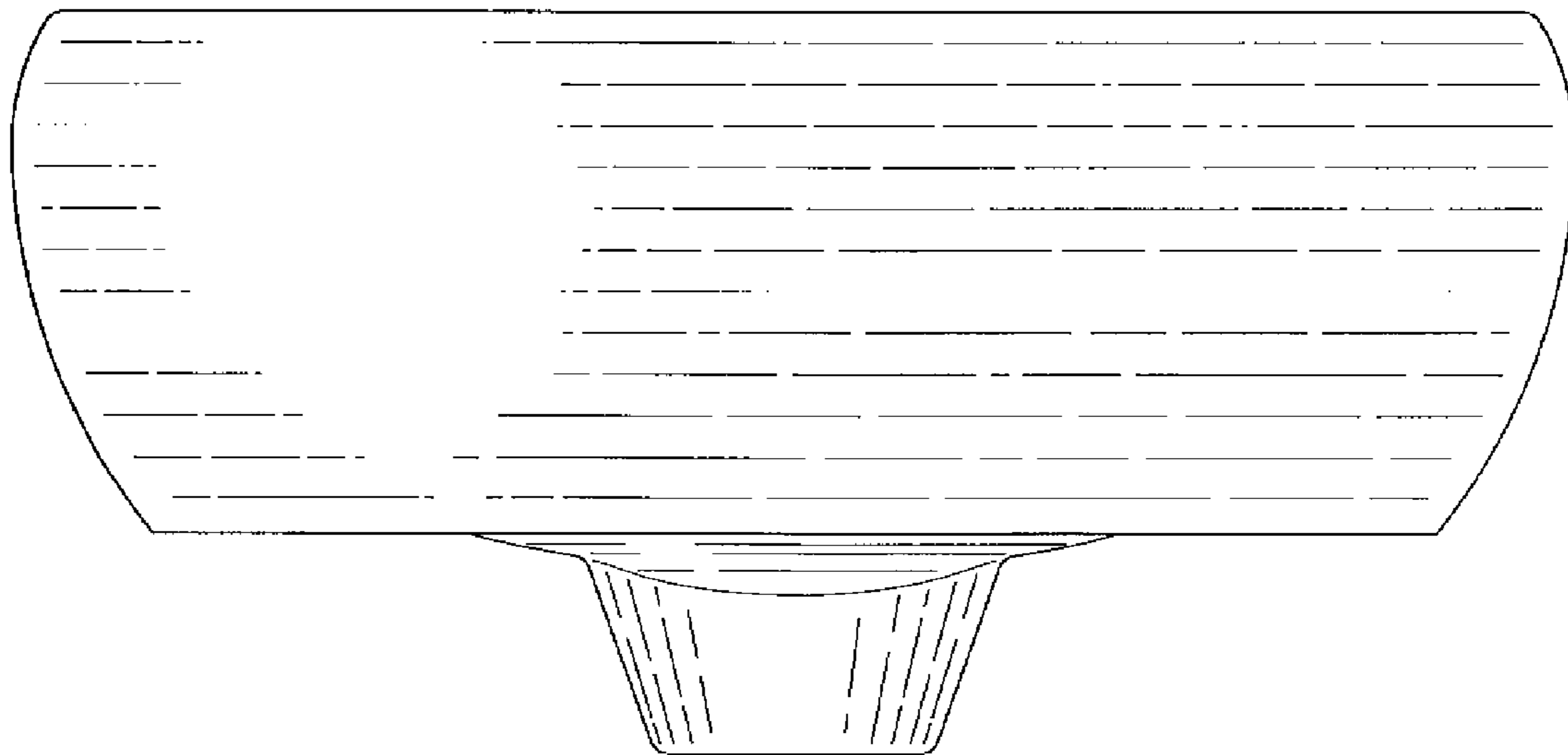


FIG. 3

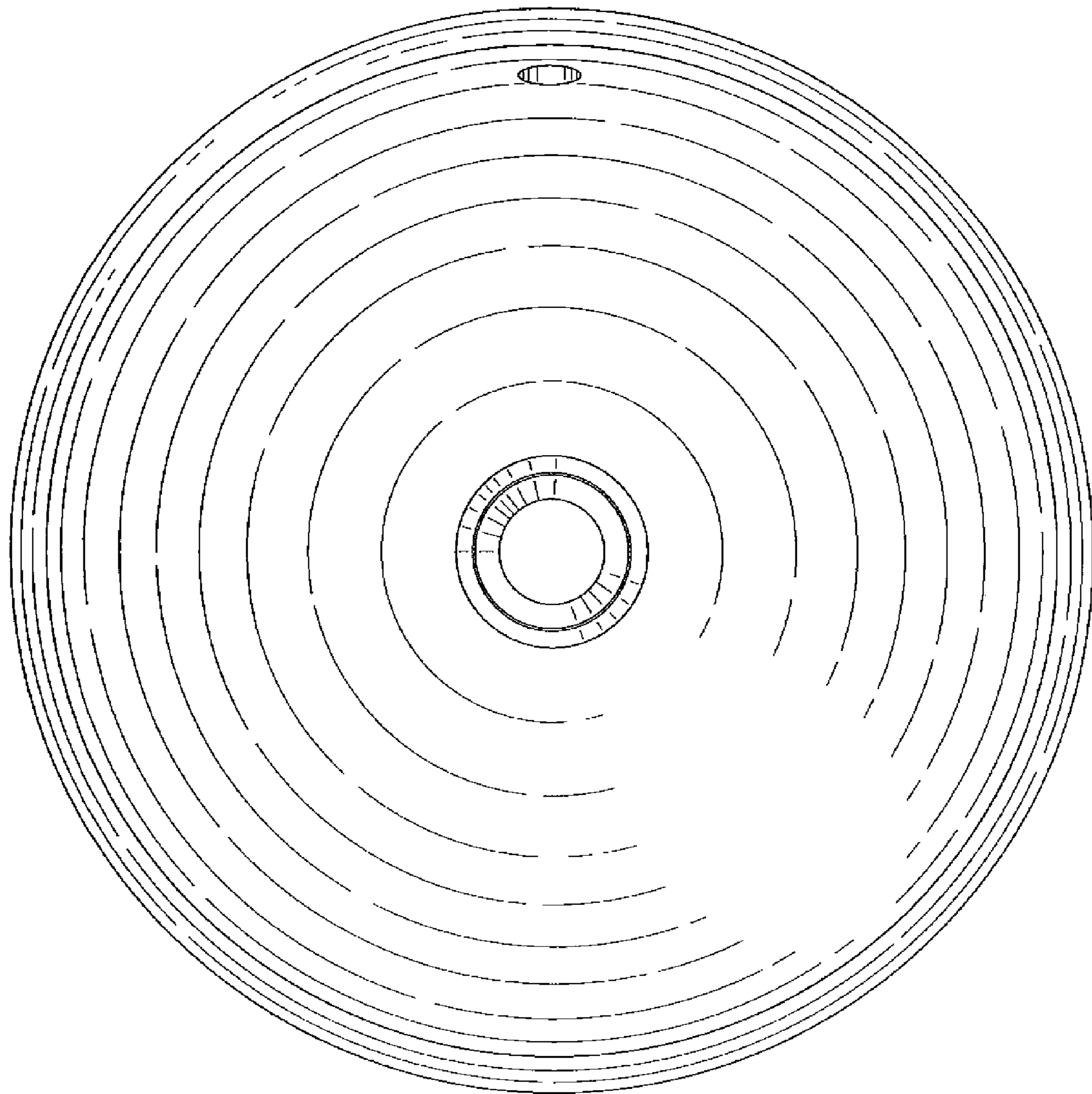


FIG. 4

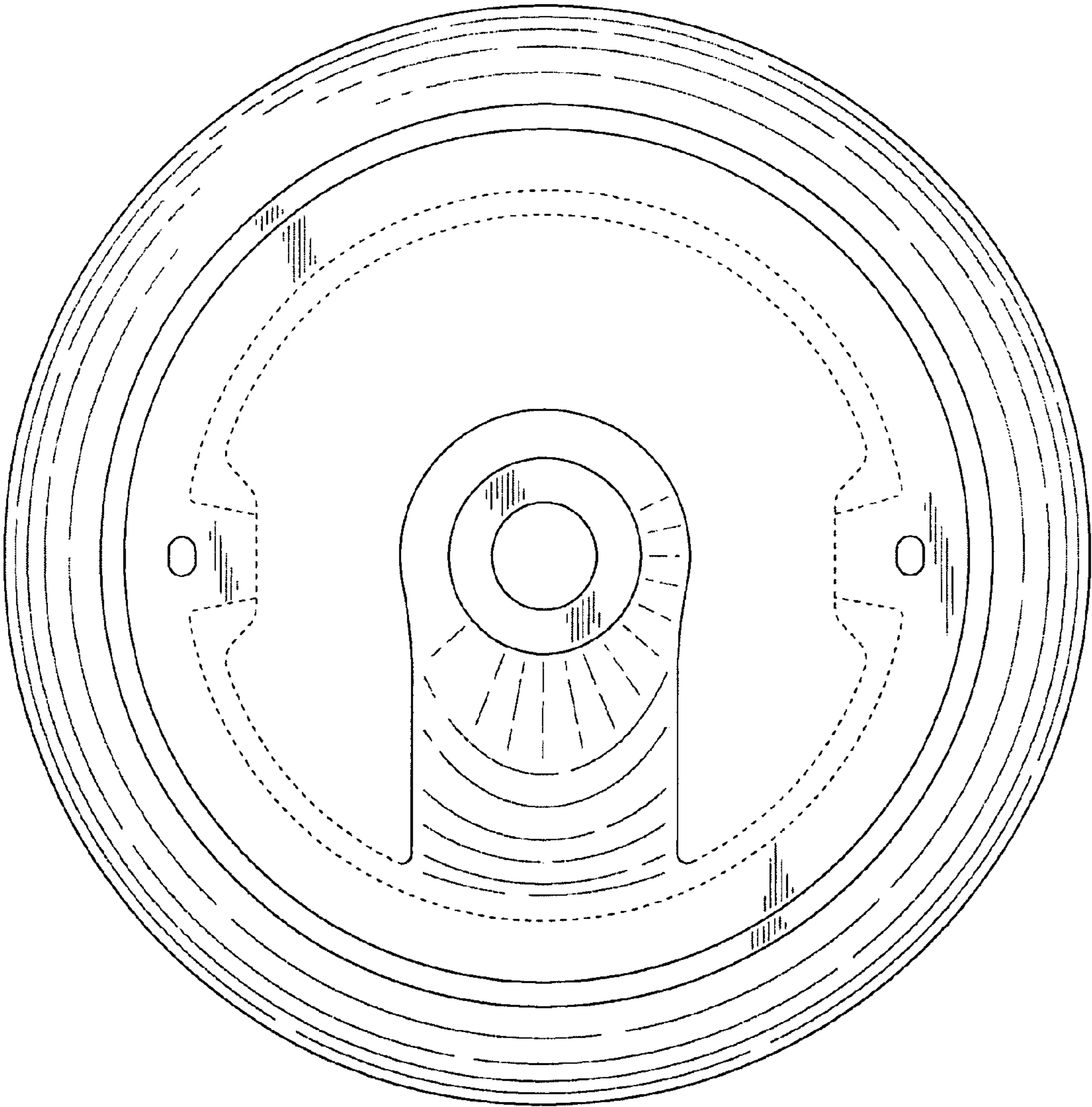


FIG. 5

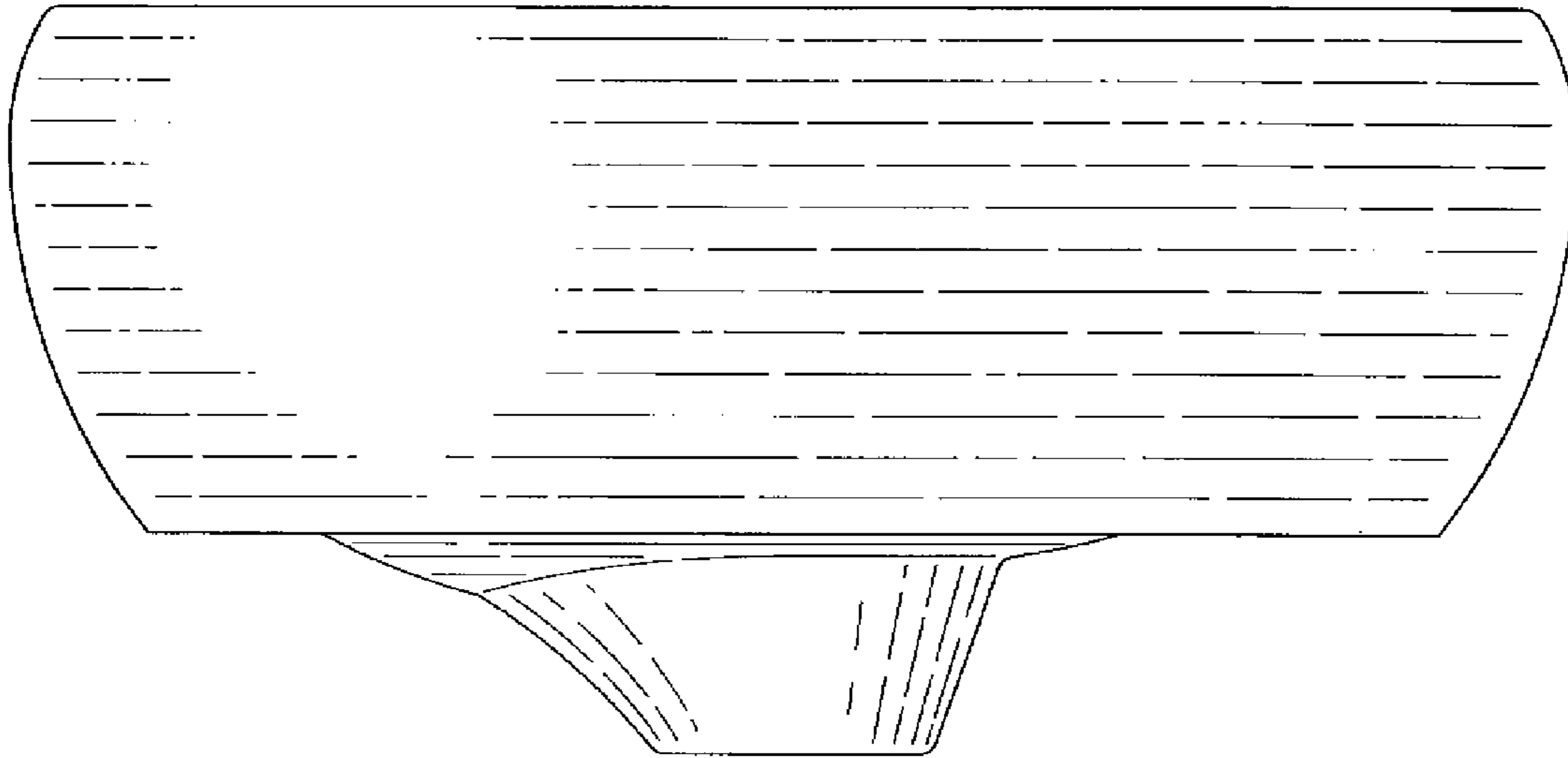


FIG. 6

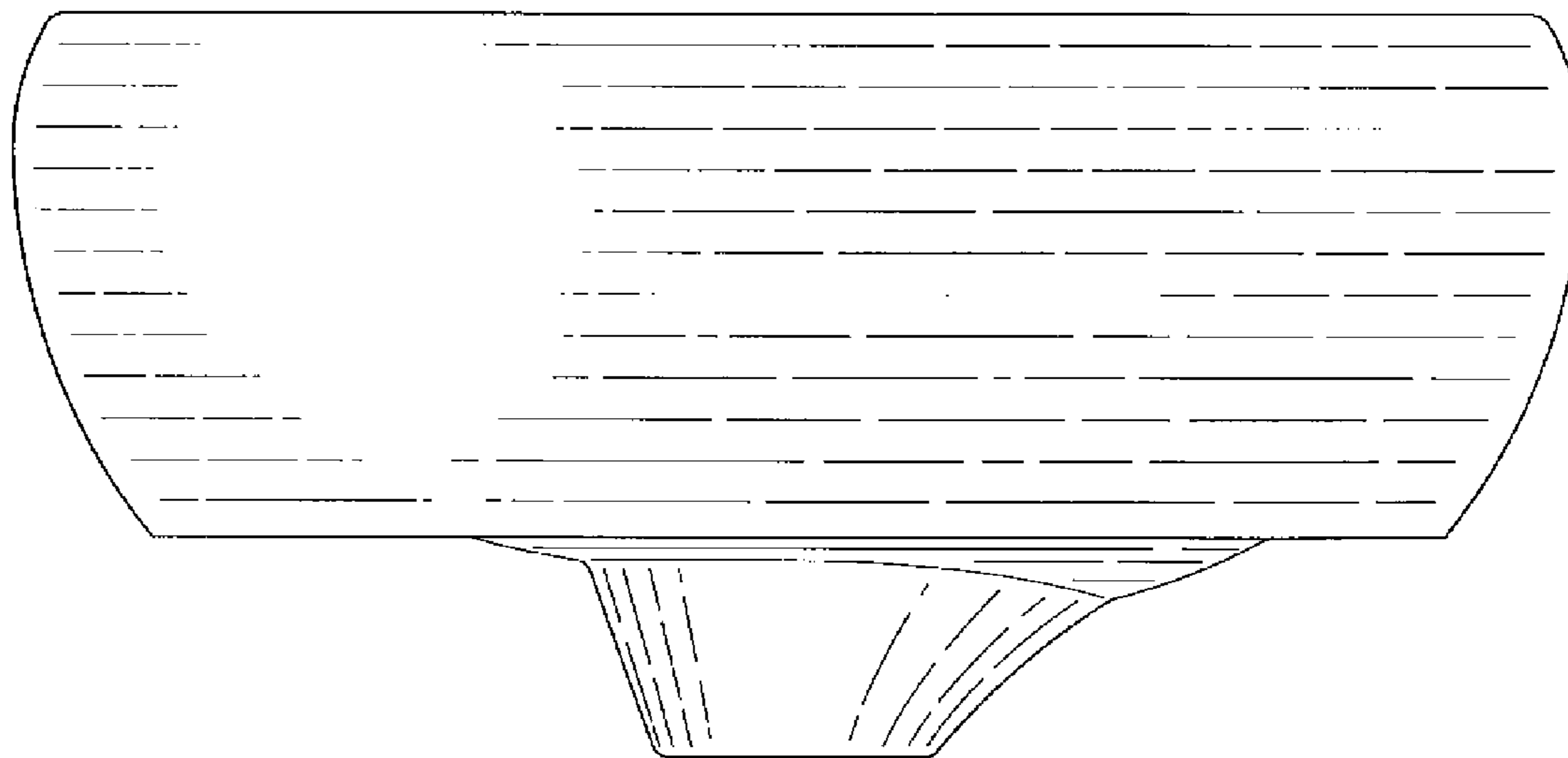


FIG. 7