



US00D594095S

(12) **United States Design Patent**
Schönherr et al.

(10) **Patent No.:** **US D594,095 S**

(45) **Date of Patent:** **** *Jun. 9, 2009**

(54) **HANDLE**

(75) Inventors: **Tom Schönherr**, Stuttgart (DE); **Fabian Kollmann**, Stuttgart (DE)

(73) Assignee: **Hansgrohe AG**, Schiltach (DE)

(*) Notice: This patent is subject to a terminal disclaimer.

(**) Term: **14 Years**

(21) Appl. No.: **29/282,973**

(22) Filed: **Aug. 3, 2007**

(30) **Foreign Application Priority Data**

Feb. 15, 2007 (EM) 000671029-0006

(51) **LOC (9) Cl.** **23-01**

(52) **U.S. Cl.** **D23/254**

(58) **Field of Classification Search** D23/250,
D23/252-254, 238-243, 244-249; 4/675-678;
D8/300, 307-308; D6/550; 137/801; 16/110.1,
16/441

See application file for complete search history.

(56) **References Cited**

U.S. PATENT DOCUMENTS

D311,438 S * 10/1990 Strignano D23/242

D322,841 S * 12/1991 Kohler et al. D23/255

D462,421 S * 9/2002 Hundley D23/252
D526,052 S * 8/2006 Lord D23/252
D535,725 S * 1/2007 Chu et al. D23/241
D560,941 S * 2/2008 Genord et al. D6/542
D568,447 S * 5/2008 Lai D23/250

OTHER PUBLICATIONS

RubINETTERIE Bandini Art. 416320.40.
Palazzani rubINETTERIE lavabo basin 643040.

* cited by examiner

Primary Examiner—Robert A Delehanty
(74) *Attorney, Agent, or Firm*—Leon E. Redman

(57) **CLAIM**

The ornamental design for a handle, as shown and described.

DESCRIPTION

FIG. 1 is a front perspective view of a handle showing our design;

FIG. 2 is a front elevational view thereof;

FIG. 3 is a rear elevational view thereof;

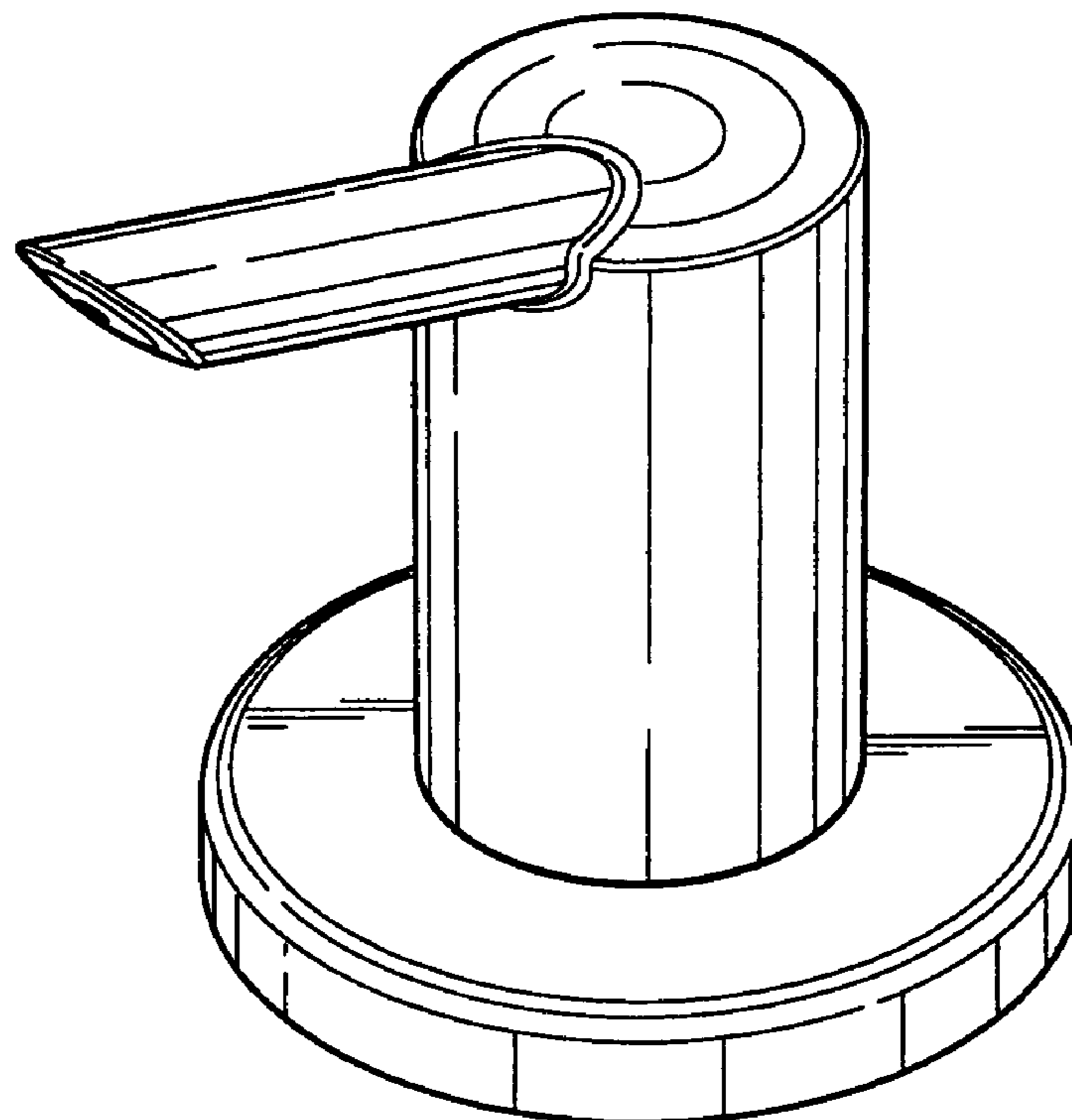
FIG. 4 is a left side elevational view thereof; the right side elevational view being a mirror image thereof;

FIG. 5 is a top plan view thereof; and,

FIG. 6 is a bottom plan view thereof.

The broken lines in the figures are for illustrative purposes only and form no part of the claimed design.

1 Claim, 4 Drawing Sheets



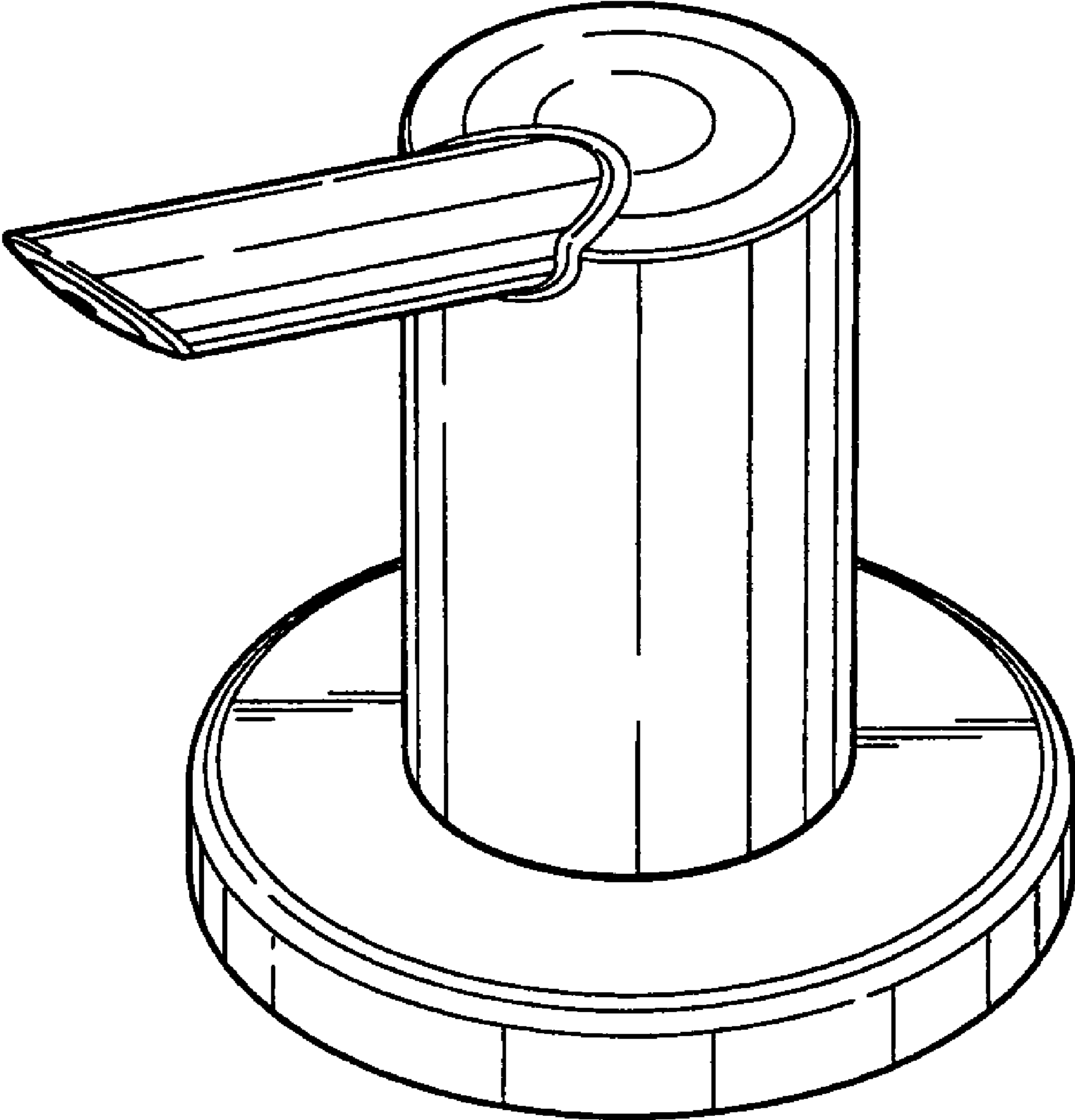


FIG. 1

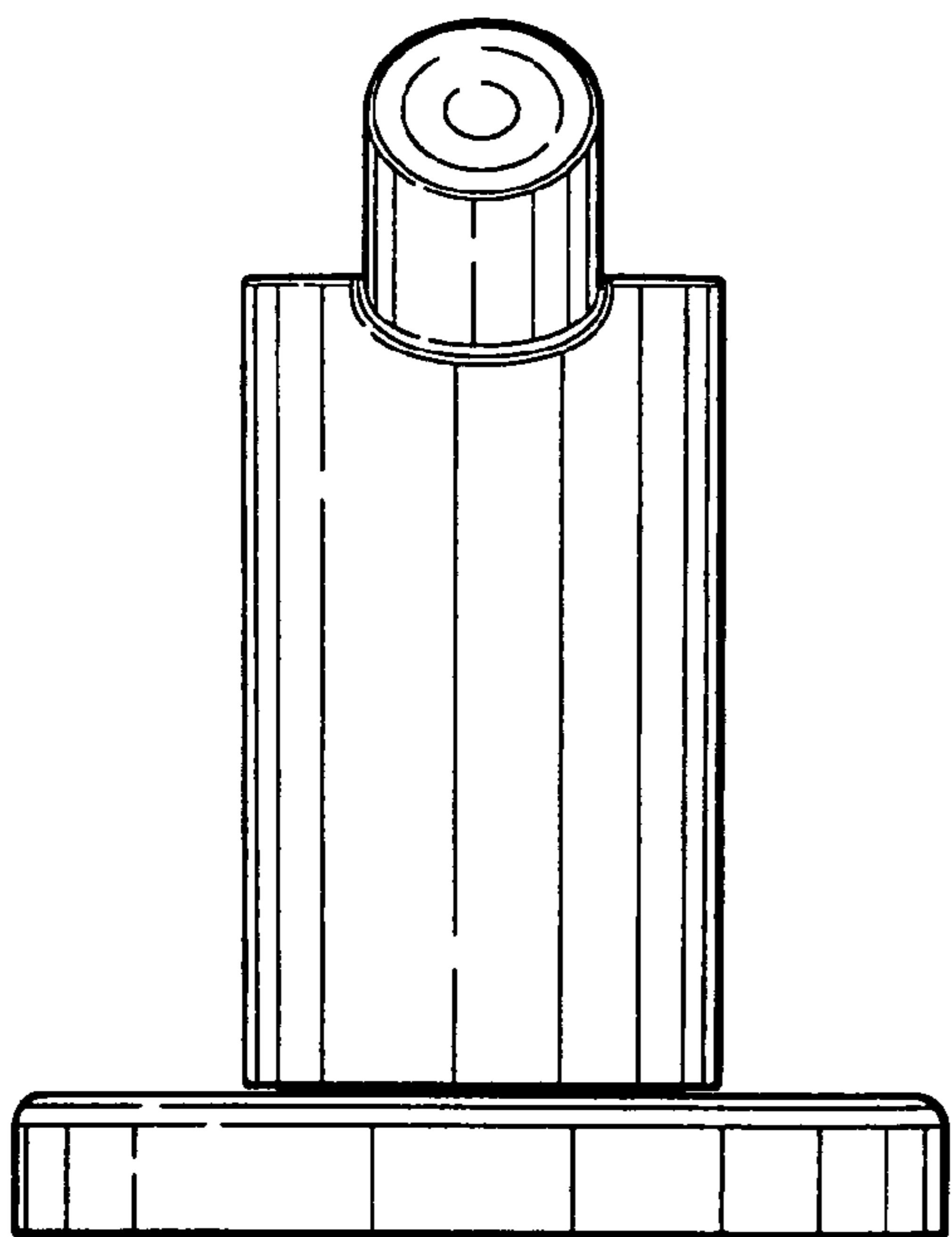


FIG. 2

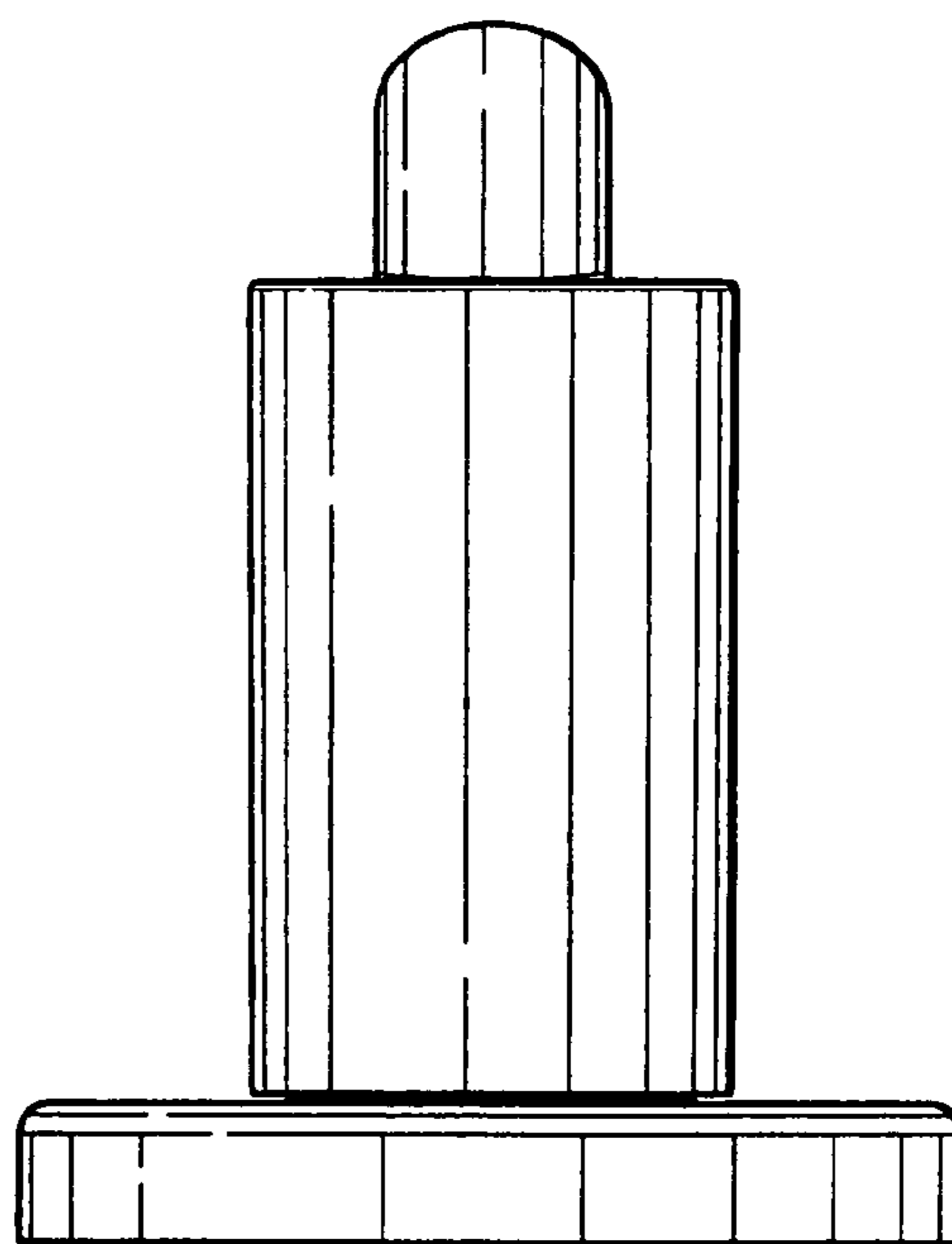


FIG. 3

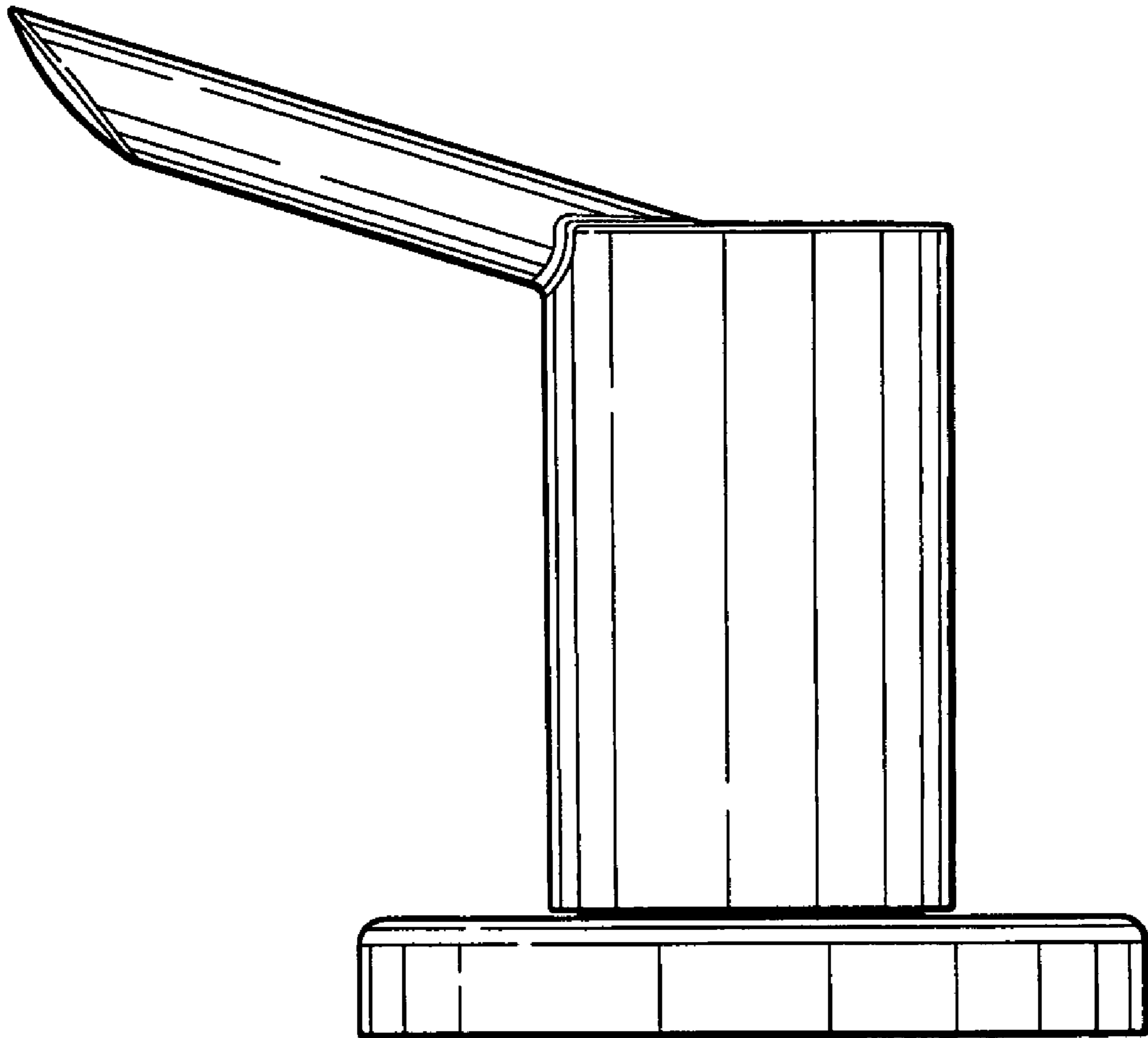


FIG. 4

FIG. 5

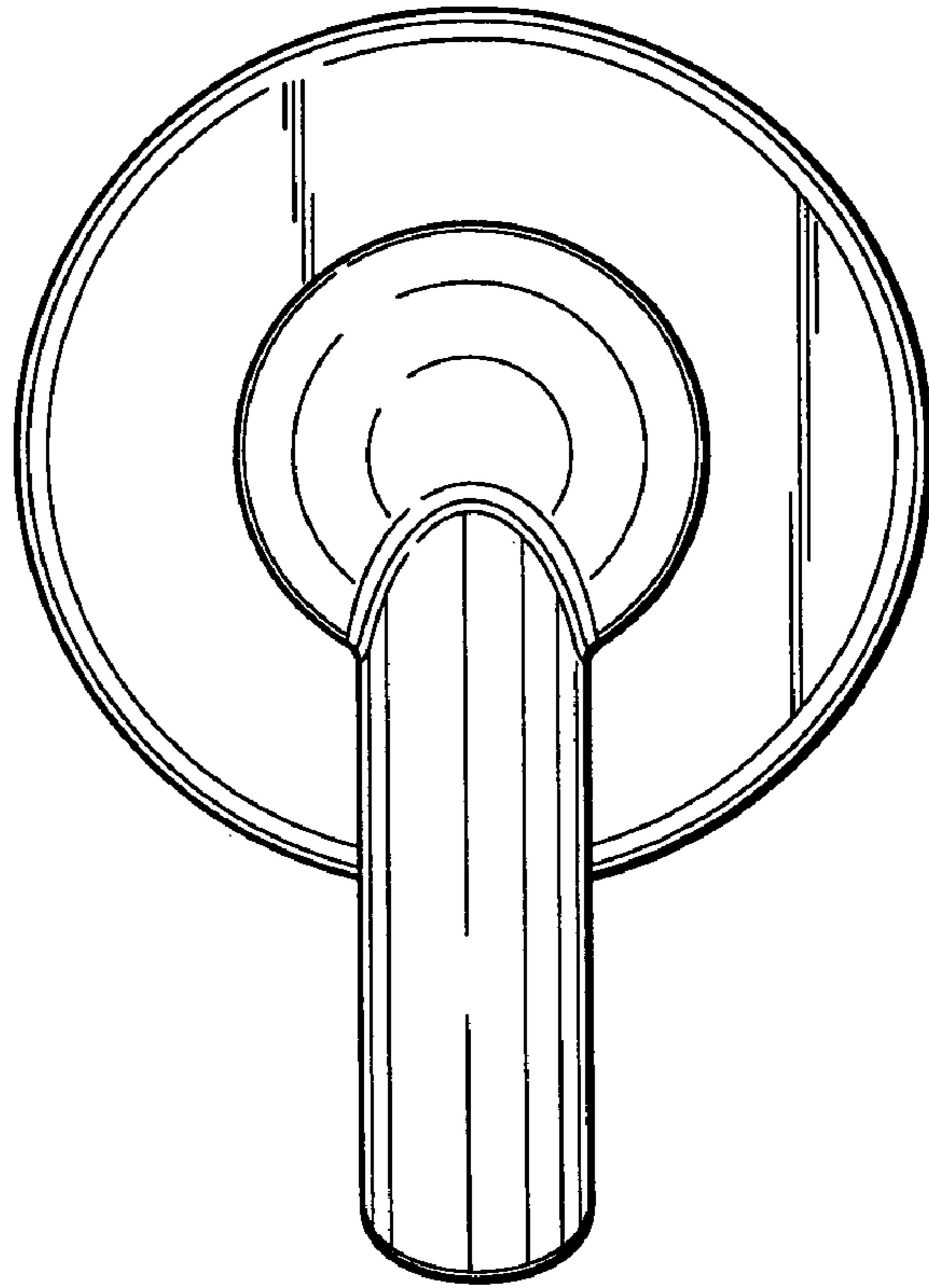


FIG. 6

