

US00D594094S

(12) **United States Design Patent**
Painter et al.

(10) **Patent No.:** **US D594,094 S**

(45) **Date of Patent:** **** *Jun. 9, 2009**

(54) **KITCHEN FAUCET**

(75) Inventors: **Michael J. Painter**, Reynoldsburg, OH (US); **Gary Uhl**, Fair Haven, NJ (US)

(73) Assignee: **AS IP Hold Co, LLC**, Boston, MA (US)

(*) Notice: This patent is subject to a terminal disclaimer.

(**) Term: **14 Years**

(21) Appl. No.: **29/279,689**

(22) Filed: **May 4, 2007**

(51) **LOC (9) Cl.** **23-01**

(52) **U.S. Cl.** **D23/241**

(58) **Field of Classification Search** D23/200,
D23/238-257; D6/512, 546, 550; D8/300,
D8/307-308, 310-312, 321; 4/675-678;
137/801; 16/110.1, 441

See application file for complete search history.

(56) **References Cited**

U.S. PATENT DOCUMENTS

D387,133 S * 12/1997 Donahue et al. D23/242
D438,289 S * 2/2001 Mark et al. D23/242
D470,916 S * 2/2003 Friedrich D23/238
D479,582 S * 9/2003 Citterio D23/239
D515,180 S * 2/2006 Ouyoung D23/239

D520,600 S * 5/2006 Spangler D23/238
D521,601 S * 5/2006 Uhl D23/240
D524,913 S * 7/2006 Chu et al. D23/239
D533,635 S * 12/2006 Chu et al. D23/239

* cited by examiner

Primary Examiner—Robert A. Delehanty

Assistant Examiner—Mark Cavanna

(74) *Attorney, Agent, or Firm*—Paul A. Levy; Matthew K. Ryan; Frommer Lawrence and Haug LLP

(57) **CLAIM**

The ornamental design for a kitchen faucet, as shown and described.

DESCRIPTION

FIG. 1 is a left side view of the kitchen faucet of our invention;

FIG. 2 is a right side view;

FIG. 3 is a front view;

FIG. 4 is a rear view;

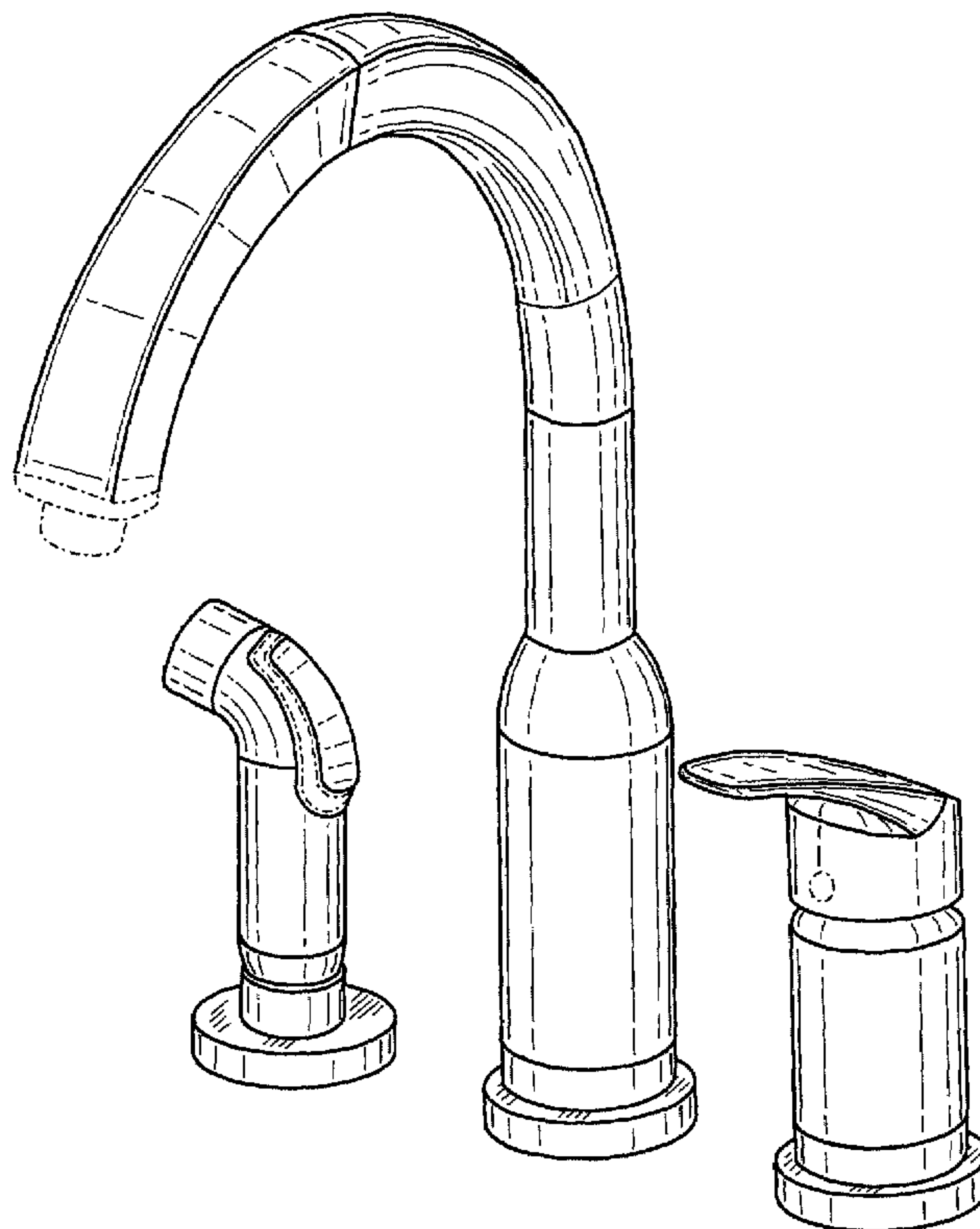
FIG. 5 is a top view;

FIG. 6 is a bottom view; and,

FIG. 7 is a front perspective view.

The broken lines are included for the purpose of illustrating a portion of the kitchen faucet that forms no part of the claimed design.

1 Claim, 7 Drawing Sheets



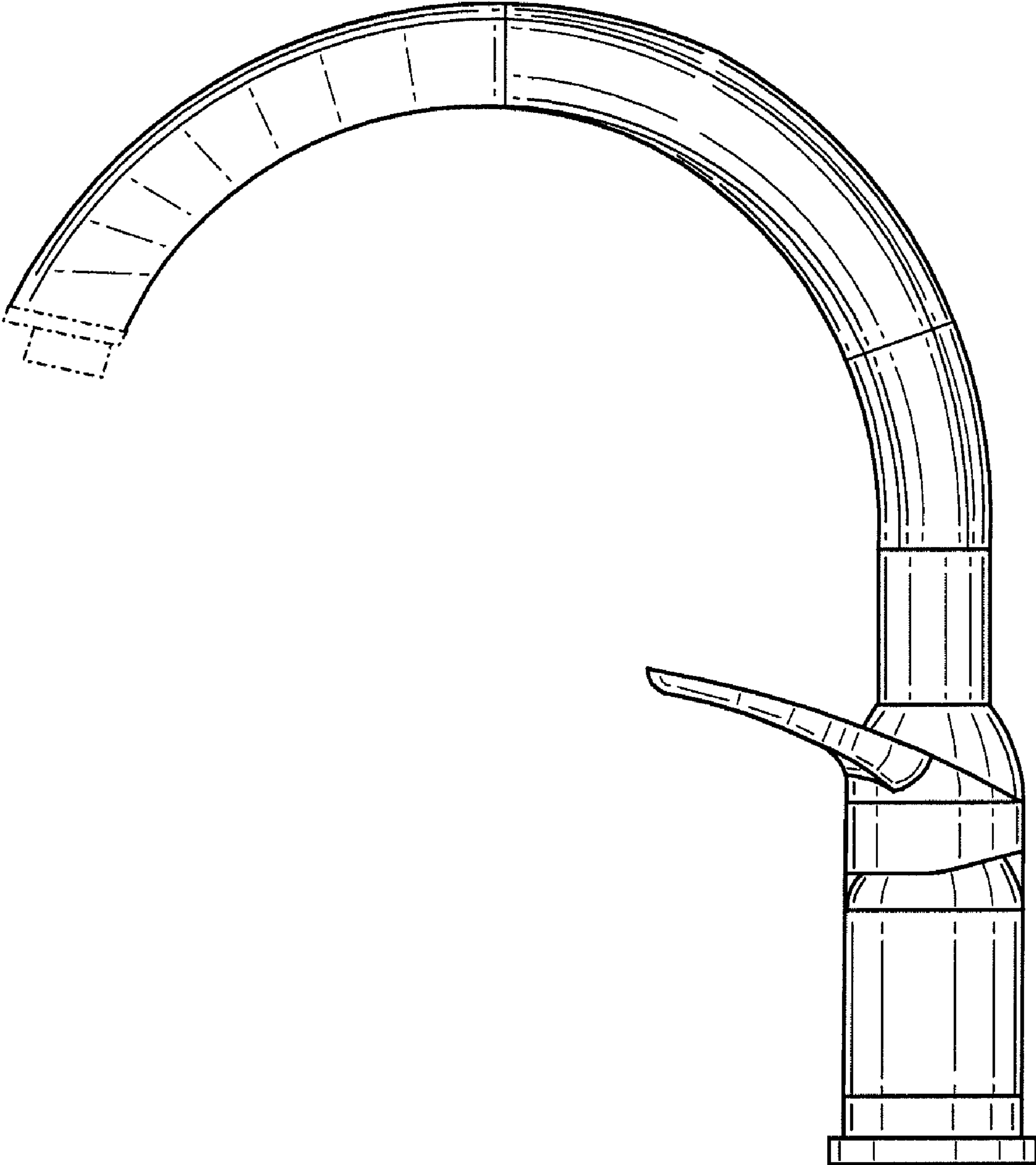


FIG. 1

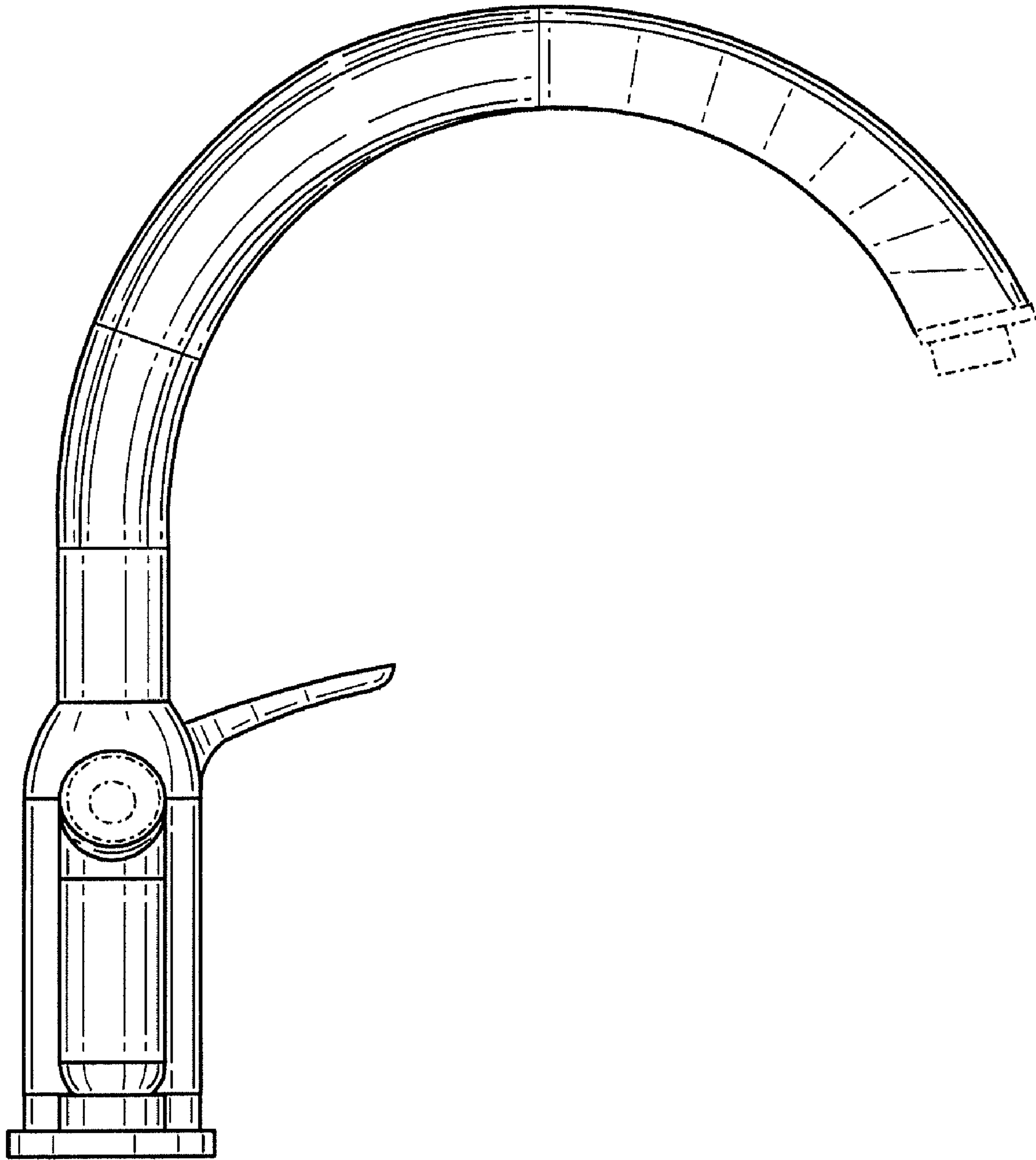


FIG. 2

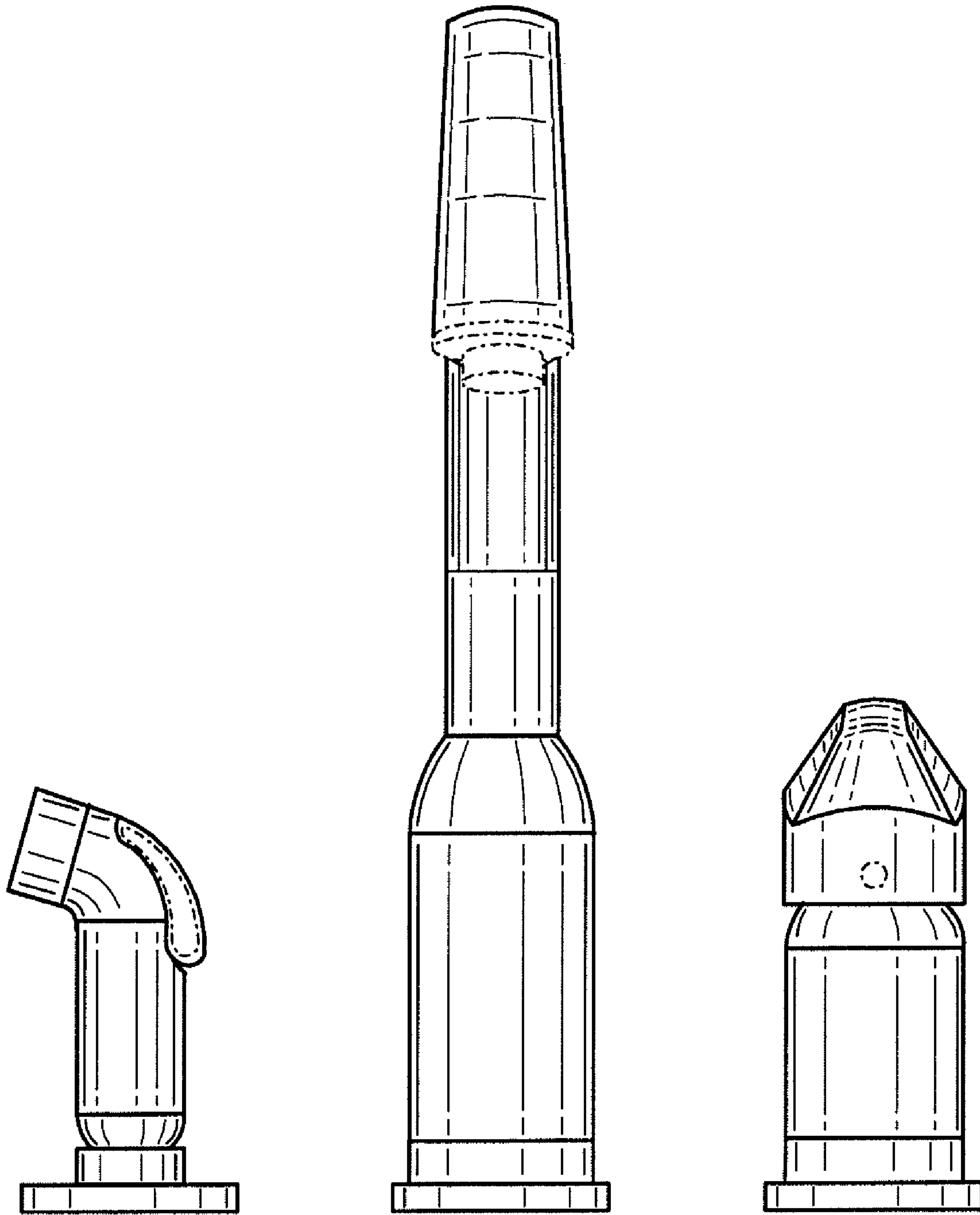


FIG. 3

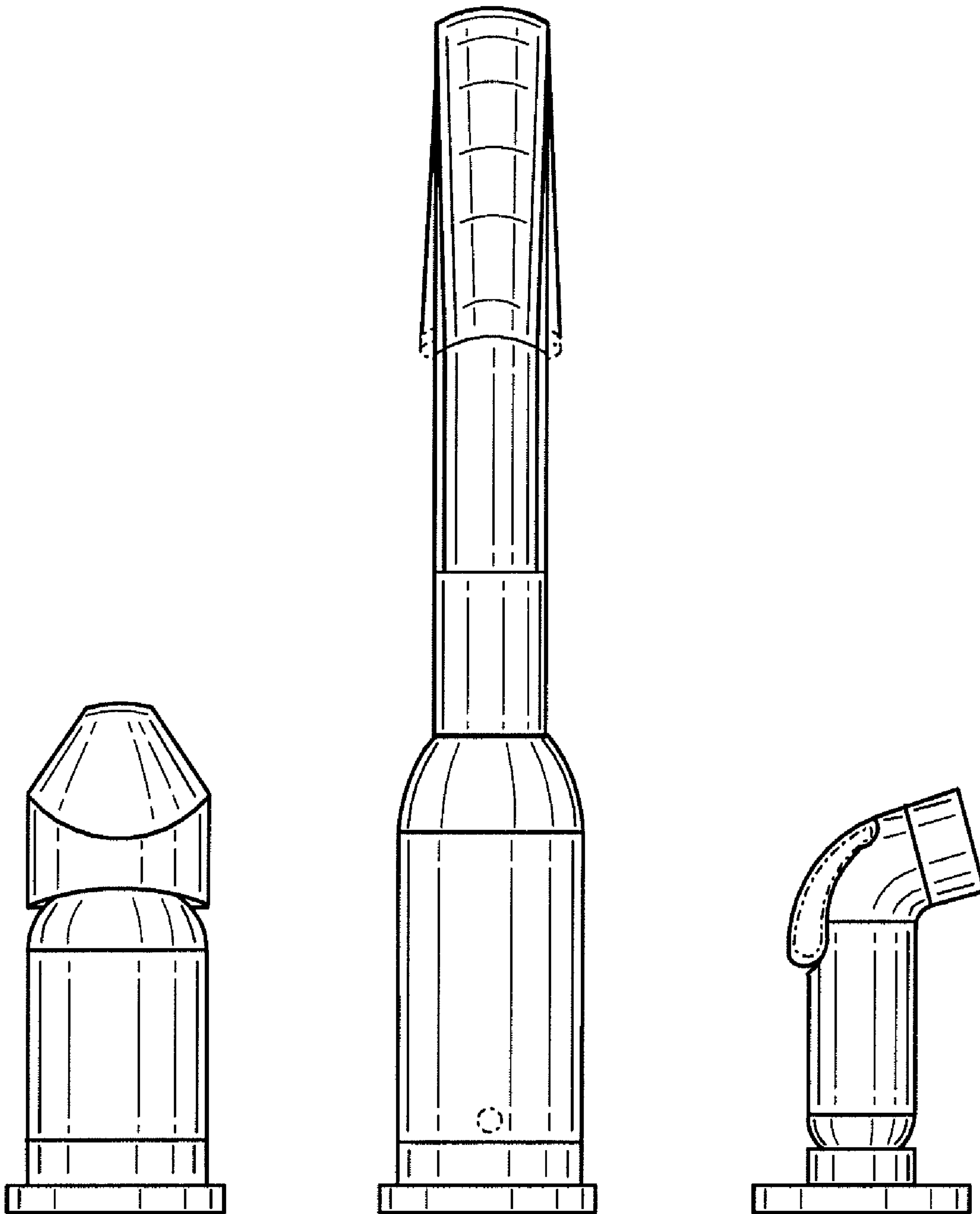


FIG. 4

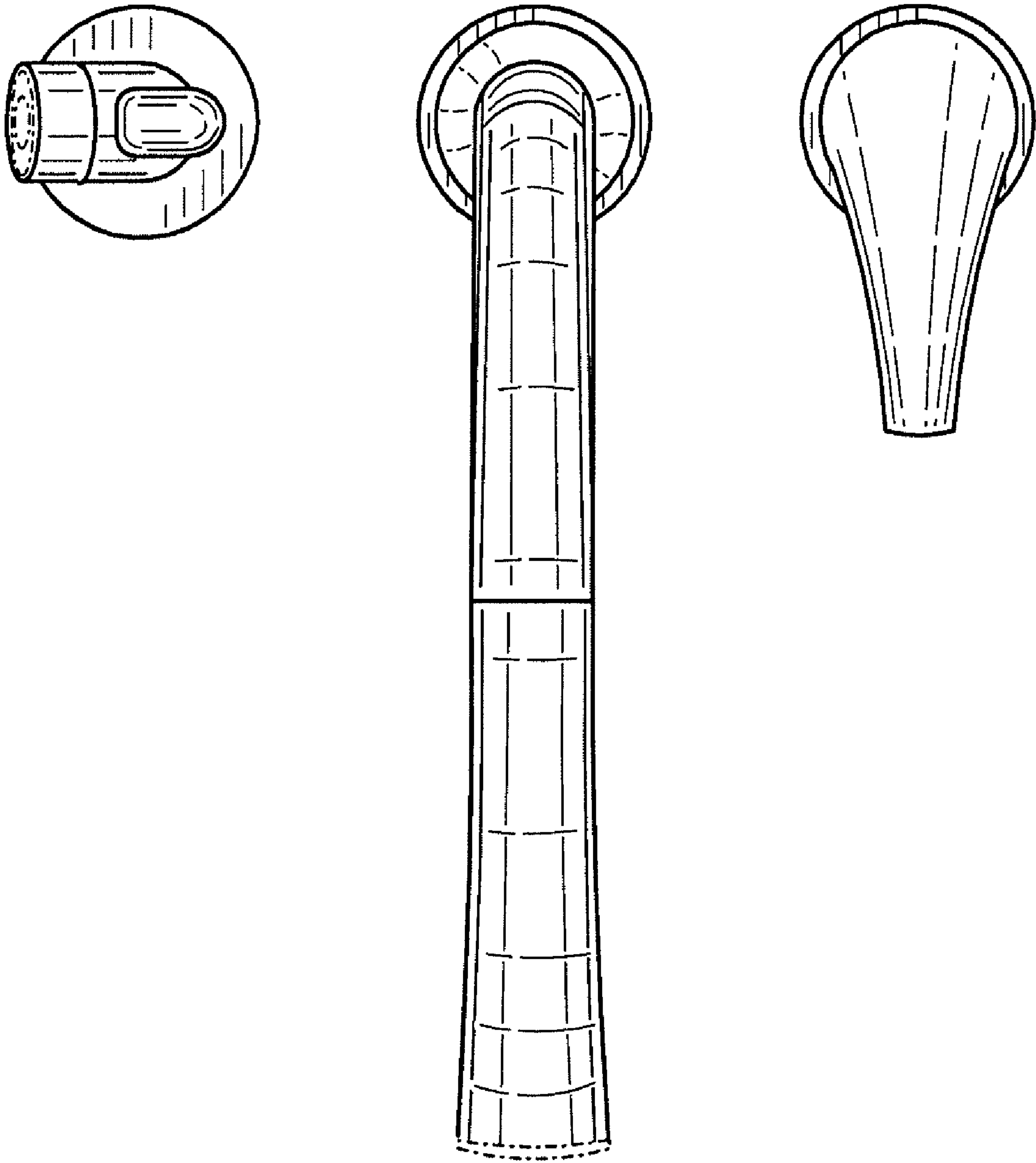


FIG. 5

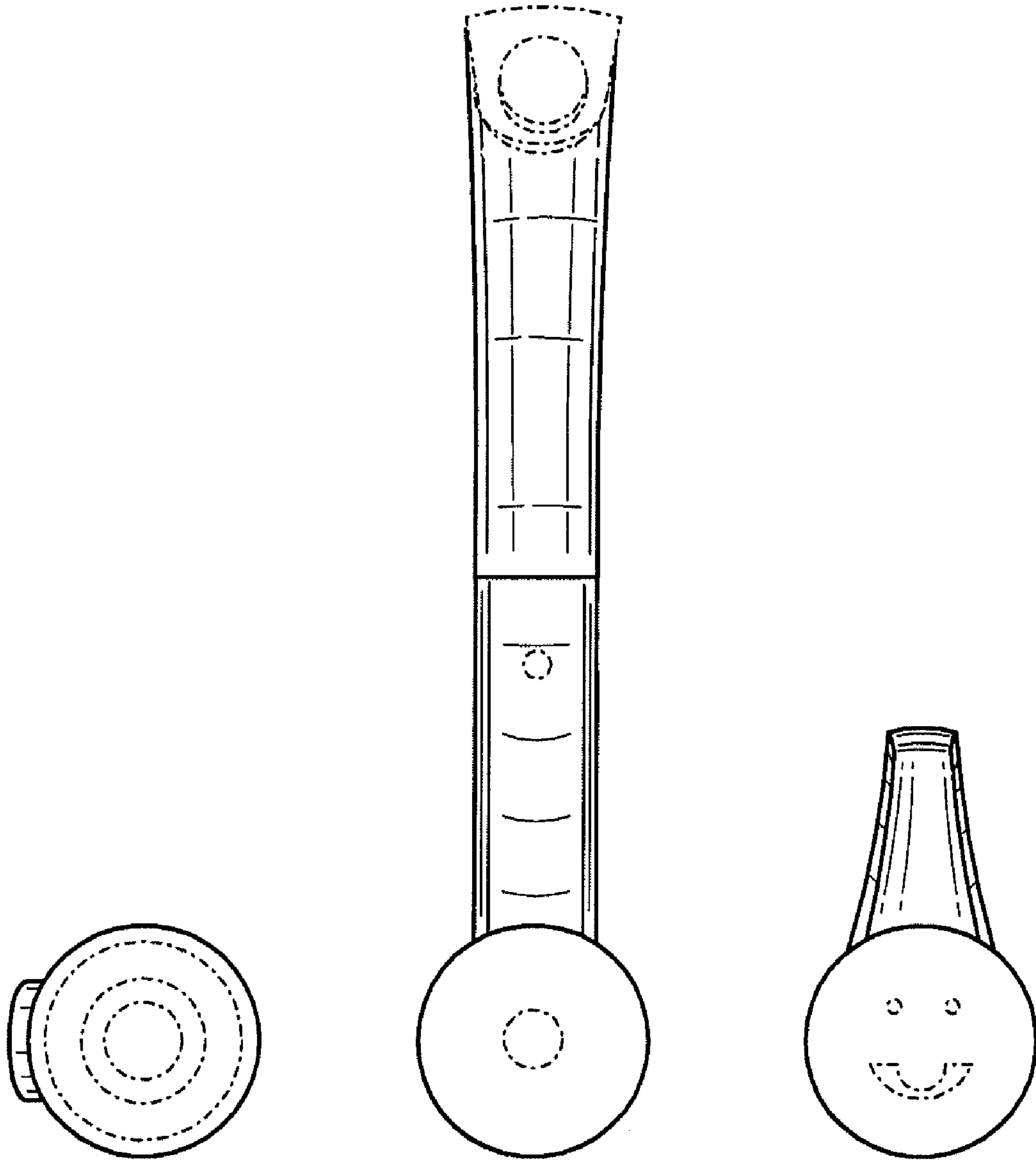


FIG. 6

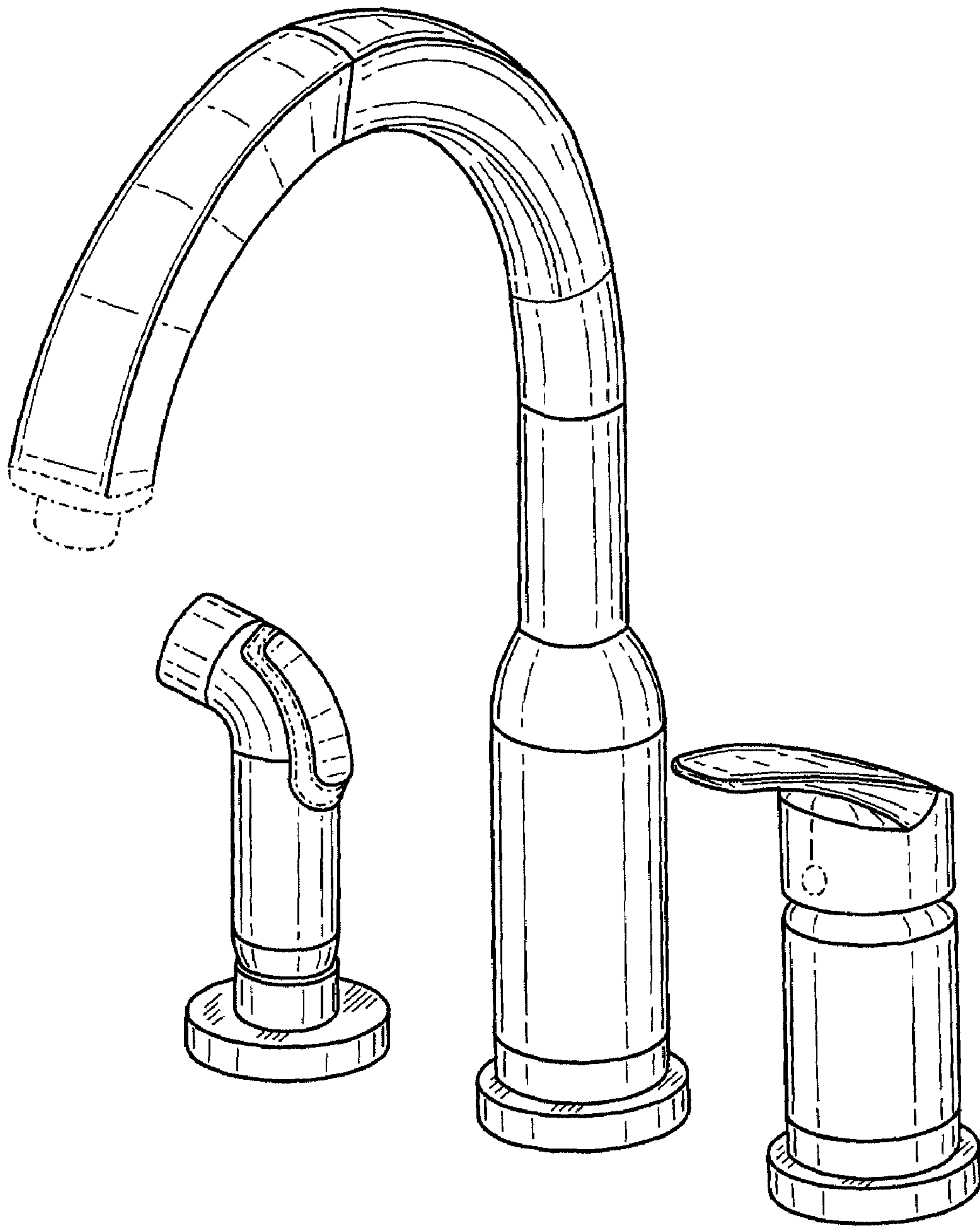


FIG. 7