



US00D594093S

(12) **United States Design Patent**  
**Tsai**

(10) **Patent No.:** **US D594,093 S**  
(45) **Date of Patent:** **\*\* Jun. 9, 2009**

(54) **FAUCET BODY**

- (75) Inventor: **Hsin-I Canny Tsai**, Sheboygan, WI (US)
- (73) Assignee: **Kohler Co.**, Kohler, WI (US)
- (\*\*) Term: **14 Years**
- (21) Appl. No.: **29/328,703**
- (22) Filed: **Dec. 1, 2008**

**Related U.S. Application Data**

- (62) Division of application No. 29/279,756, filed on May 7, 2007, now Pat. No. Des. 585,114.

- (51) **LOC (9) Cl.** ..... **23-01**
- (52) **U.S. Cl.** ..... **D23/238; D23/249**
- (58) **Field of Classification Search** ..... **D23/200, D23/238-257; D6/512, 546, 550; D8/300, D8/307-308, 310-312, 321; 4/675-678; 137/801; 16/110.1, 441**  
See application file for complete search history.

(56) **References Cited**

**U.S. PATENT DOCUMENTS**

973,143	A	10/1910	Snodgrass	
1,530,104	A	3/1925	Brown	
D72,505	S	4/1927	Eweyk	
1,653,956	A	12/1927	Glauber	
1,676,800	A	7/1928	Richards et al.	
1,690,251	A	11/1928	Schlesinger et al.	
D225,402	S	12/1972	Koblick	
D428,473	S *	7/2000	Milrud et al.	D23/241
D430,649	S *	9/2000	Milrud et al.	D23/249
6,198,055	B1	3/2001	Hughes	
6,341,617	B1	1/2002	Wilson	
D457,940	S *	5/2002	Kolada et al.	D23/241
D497,197	S	10/2004	Warshawsky	
D508,551	S *	8/2005	Warshawsky	D23/243

(Continued)

**OTHER PUBLICATIONS**

- Rohl. "Rohl736". Bridge faucet with sidespray. DesignerPlumbing.com online catalog.
- Taps & More. Steam Valve Original—Deck Mounted Bridge Mixer with Pull Off Spray Spout—Solid Stainless Steel. HomePortfolio.com online catalog. Copyright 1997-2007 HomePortfolio Inc.
- Primary Examiner*—Robert A. Delehanty
- Assistant Examiner*—Mark Cavanna
- (74) *Attorney, Agent, or Firm*—Quarles & Brady LLP

(57) **CLAIM**

The ornamental design for a faucet body, as shown and described.

**DESCRIPTION**

In a preferred embodiment, the nature of this product is as a plumbing fitting in the form of body for a faucet used to wash various items and/or body parts.

FIG. 1 is a left, top, front perspective view of a faucet body according to my new design;

FIG. 2 is a front elevational view thereof;

FIG. 3 is a rear elevational view thereof;

FIG. 4 is a left side elevational view thereof, the right side elevational view thereof being a mirror image of the left side shown;

FIG. 5 is a top plan view thereof;

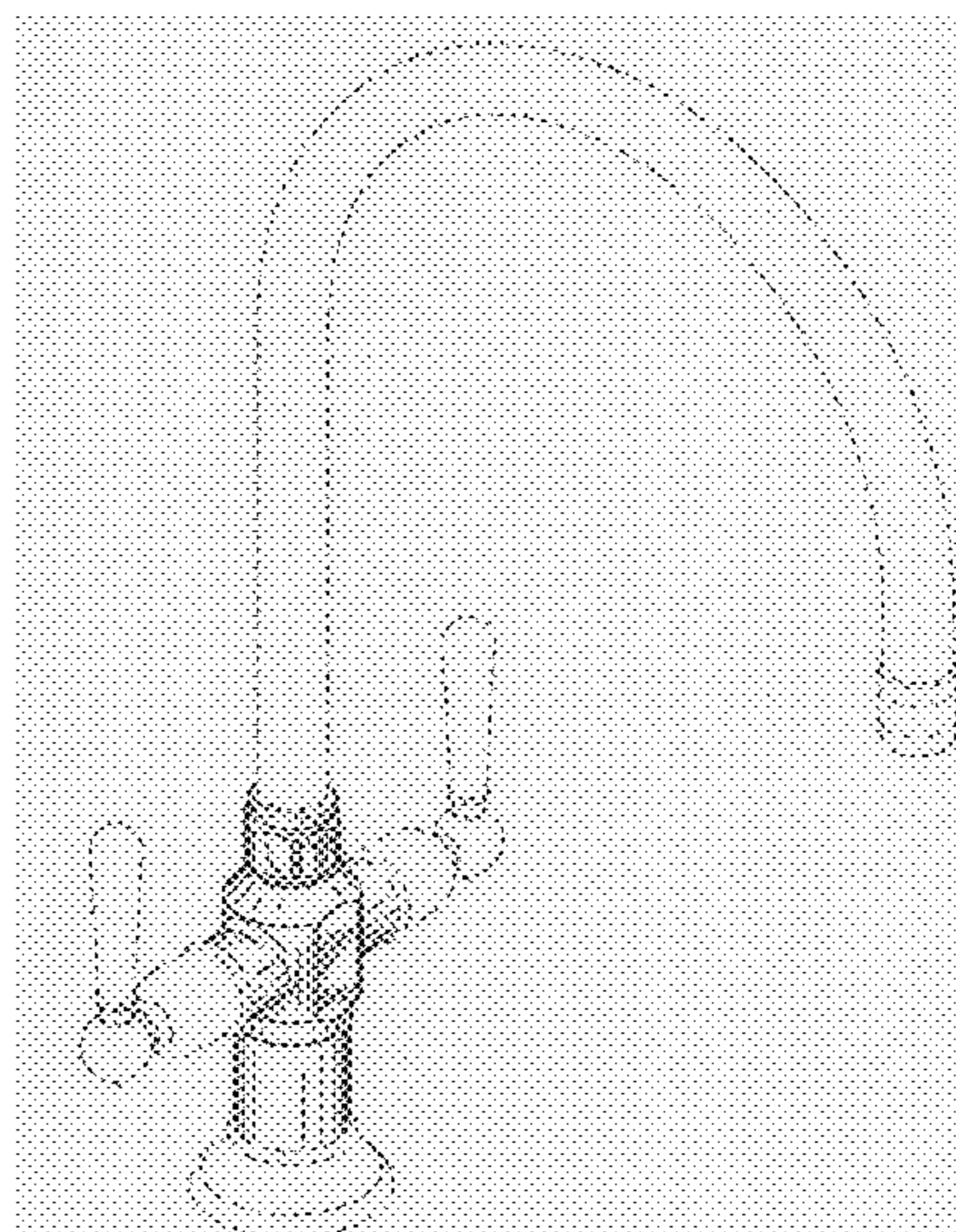
FIG. 6 is a bottom plan view thereof; and,

FIG. 7 is a left, top, front perspective view of the faucet body of FIGS. 1-6 albeit shown with different spout environment.

The broken line representations of in the figures are for the purpose of illustration only, and form no part of the claimed design.

The broken line showing of the spout, handles and base is included for the purpose of illustrating environment and forms no part of the claimed design.

**1 Claim, 6 Drawing Sheets**



# US D594,093 S

Page 2

---

U.S. PATENT DOCUMENTS			
D510,413 S	10/2005	Ouyoung	
D512,485 S	12/2005	Kulig	
D512,765 S	12/2005	Kulig	
D516,179 S *	2/2006	Ouyoung .....	D23/249
D516,681 S	3/2006	Gilbert	
D522,095 S	5/2006	Chung	
D524,916 S	7/2006	Schaffeld et al.	
D526,391 S *	8/2006	Schaffeld et al. ....	D23/255
D526,704 S *	8/2006	Schaffeld et al. ....	D23/257
7,090,154 B2	8/2006	Herring	
D532,871 S *	11/2006	Berberet .....	D23/242
D540,918 S	4/2007	Haug et al.	
D541,384 S *	4/2007	Citterio .....	D12/249
D567,910 S	4/2008	Shieh	
D569,482 S	5/2008	Hana	
2002/0185182 A1	12/2002	Wang	

\* cited by examiner



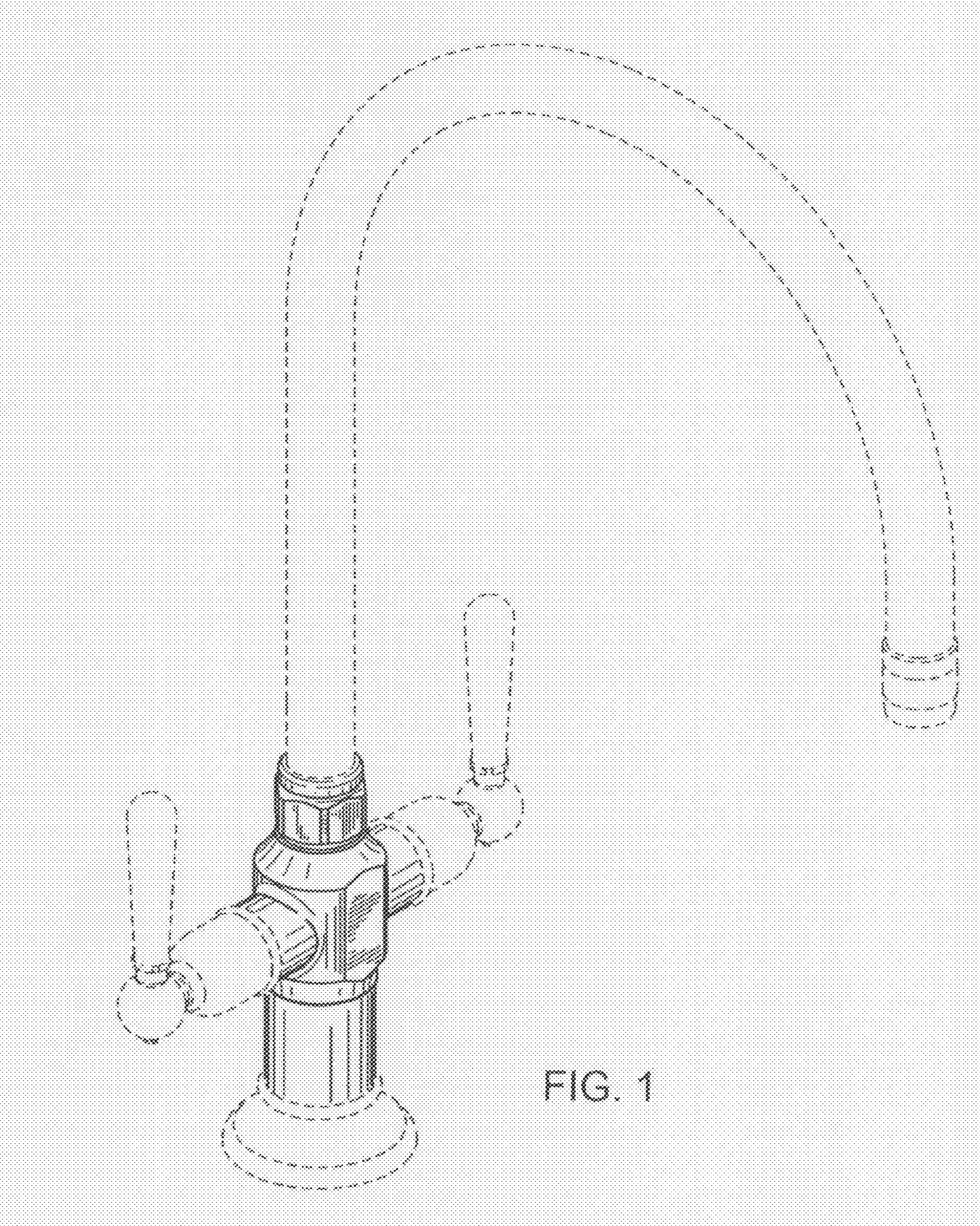


FIG. 1



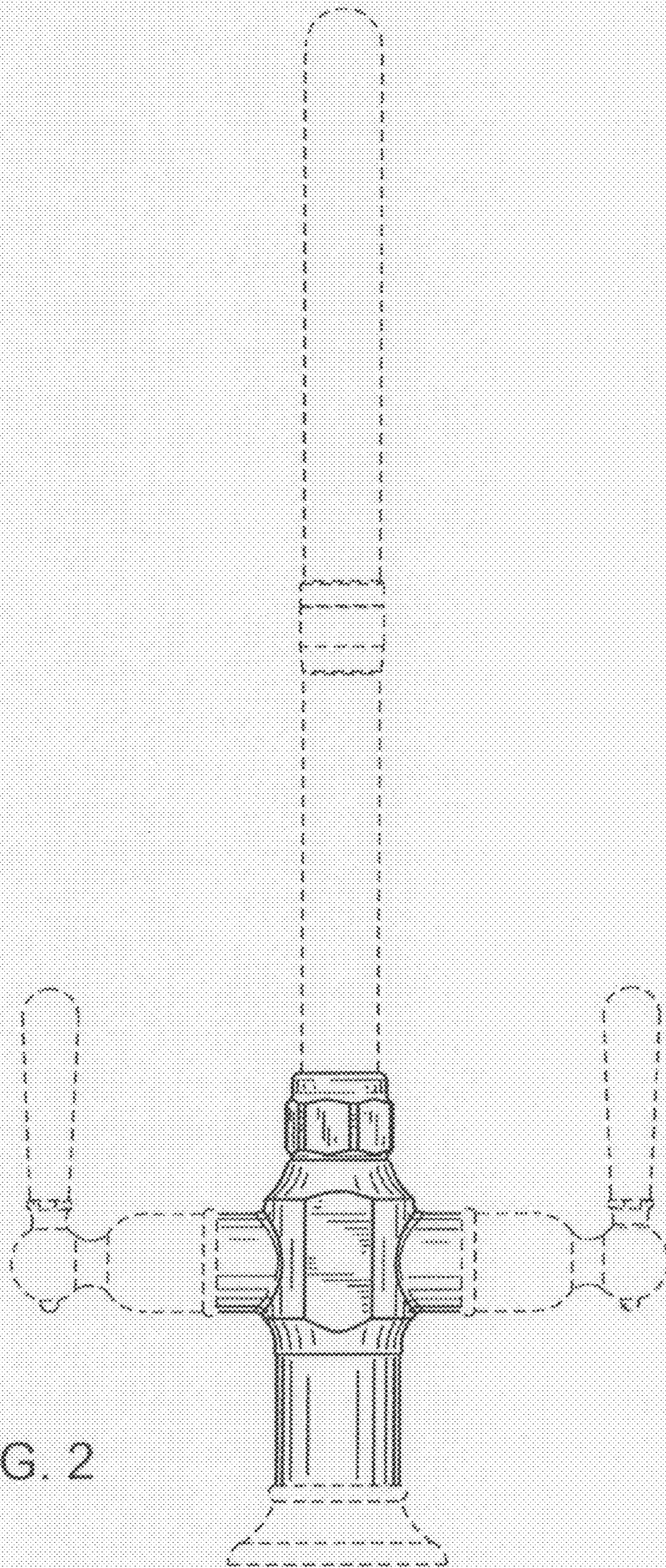


FIG. 2



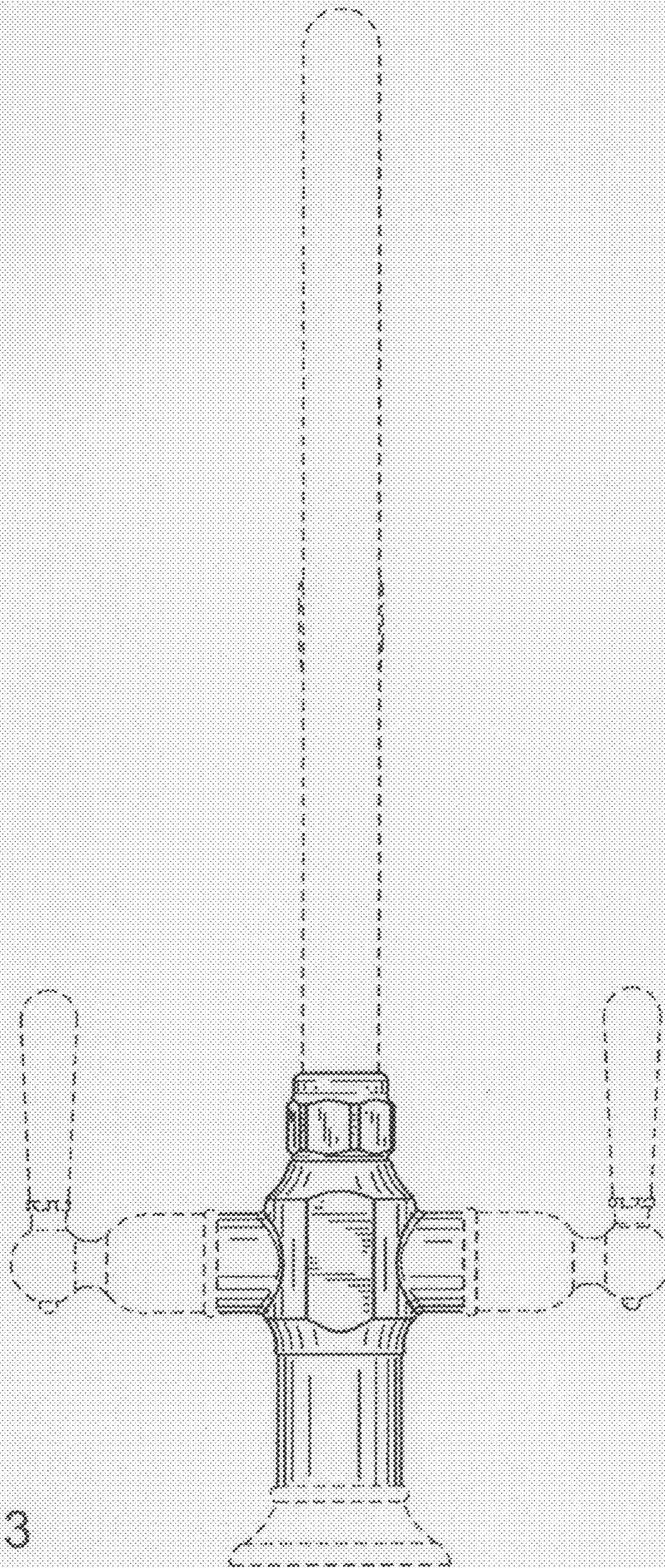


FIG. 3



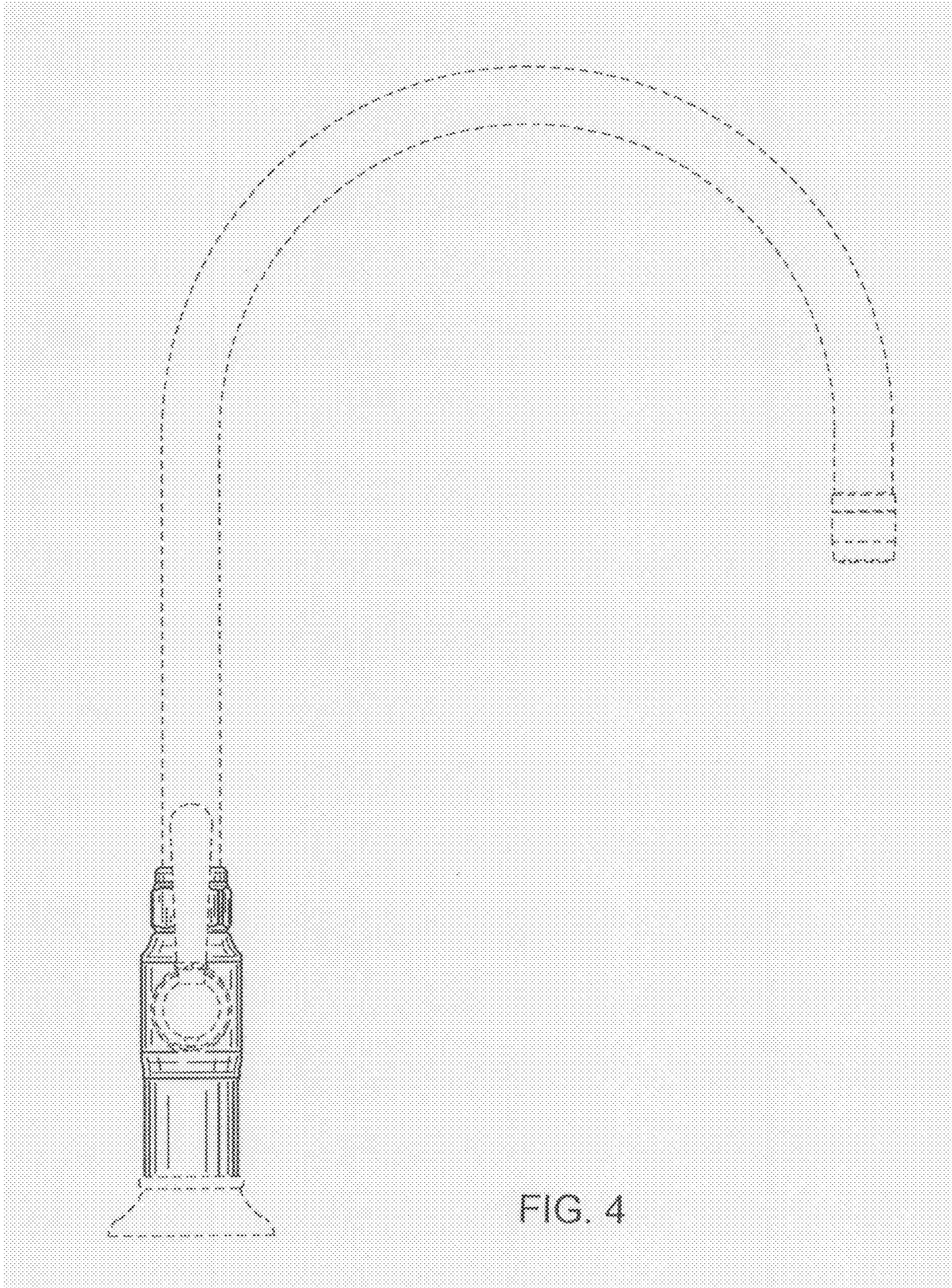


FIG. 4



